



US00D682496S

(12) **United States Design Patent**
Bassett et al.

(10) **Patent No.:** **US D682,496 S**

(45) **Date of Patent:** **** May 14, 2013**

(54) **ACCESSORY FOR A VACUUM CLEANER**

(75) Inventors: **Alexander Anthony Denny Bassett**,
Suzhou (CN); **Andrea Zardoni**, Milan
(IT); **Victor Liu**, Suzhou (CN); **Marco
Nicora**, Lecco (IT)

(73) Assignee: **Hoover Limited**, Merthyr Tydfil (GB)

(**) Term: **14 Years**

(21) Appl. No.: **29/404,929**

(22) Filed: **Oct. 26, 2011**

(30) **Foreign Application Priority Data**

Apr. 28, 2011 (EM) 001856956

(51) **LOC (9) Cl.** **15-05**

(52) **U.S. Cl.**
USPC **D32/22; D32/32**

(58) **Field of Classification Search** D32/21,
D32/22, 31-34, 17, 42, 45, 50; 15/1.7, 415.1,
15/416-422.1, 414, 322, 353, 400, 327.1,
15/319, 366, 383, 179, 182, 41.1, 320, 403
See application file for complete search history.

(56) **References Cited**

U.S. PATENT DOCUMENTS

D398,097 S * 9/1998 Murphy et al. D32/22
D486,279 S * 2/2004 Chen D32/17
D507,387 S * 7/2005 Jacobs D32/22

D591,918 S * 5/2009 Vagges D32/22
D608,513 S * 1/2010 Ho D32/22
D635,728 S * 4/2011 Fjellman D32/22
D653,825 S * 2/2012 Cho et al. D32/22
2009/0144928 A1* 6/2009 Yoo 15/327.1

* cited by examiner

Primary Examiner — Ruth McInroy

(74) *Attorney, Agent, or Firm* — Kang Lim

(57) **CLAIM**

The ornamental design for an accessory for a vacuum cleaner,
as shown and described.

DESCRIPTION

FIG. 1 is a perspective view from above and right side of a first
embodiment of an accessory for a vacuum cleaner showing
our new design;

FIG. 2 is a left view of a first embodiment thereof;

FIG. 3 is a right view of a first embodiment thereof;

FIG. 4 is a front view of a first embodiment thereof;

FIG. 5 is a rear view of a first embodiment thereof;

FIG. 6 is a top view of a first embodiment thereof;

FIG. 7 is a perspective view from above and right side of a
second embodiment of an accessory for a vacuum cleaner
showing our new design;

FIG. 8 is a left view of a second embodiment thereof;

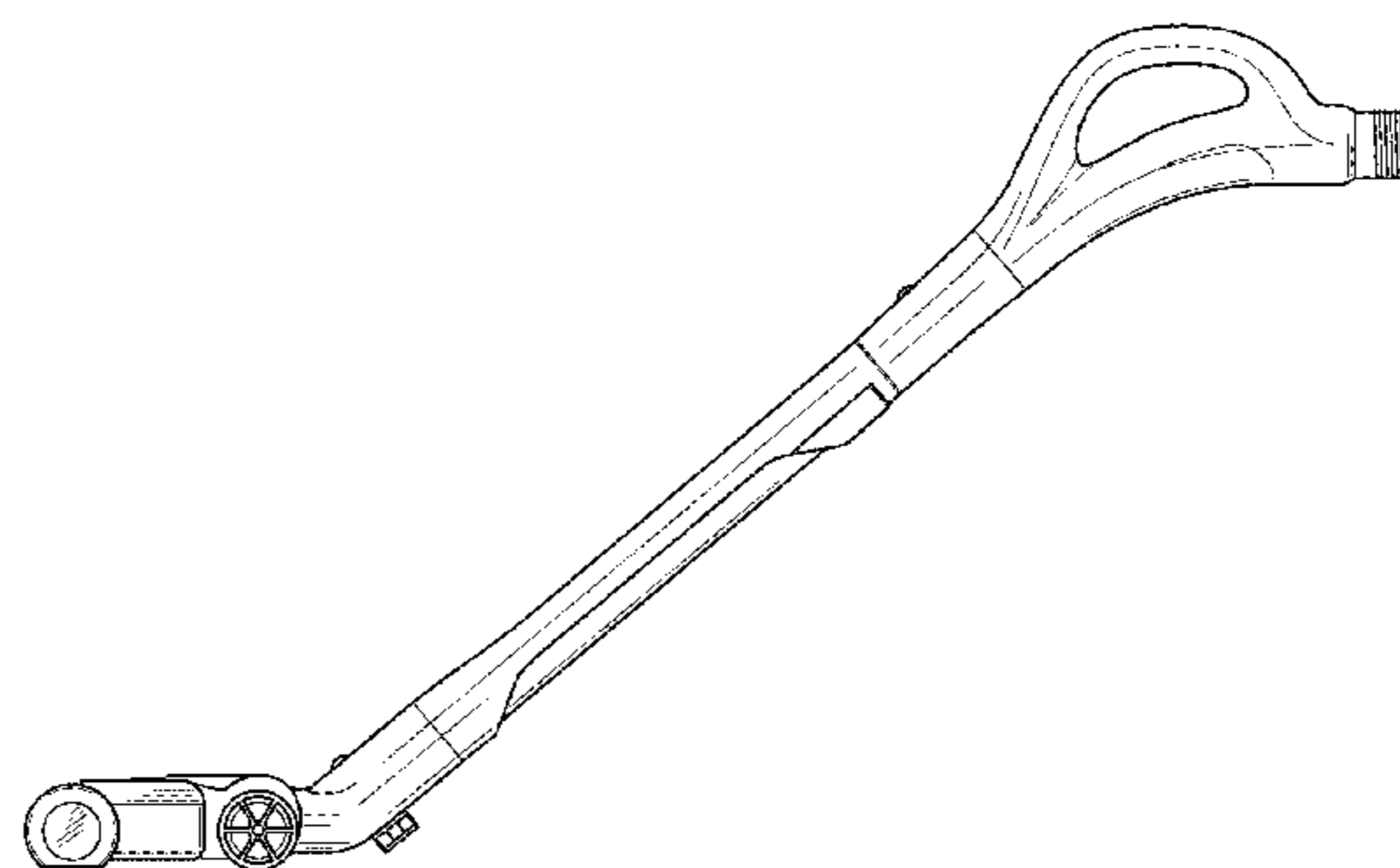
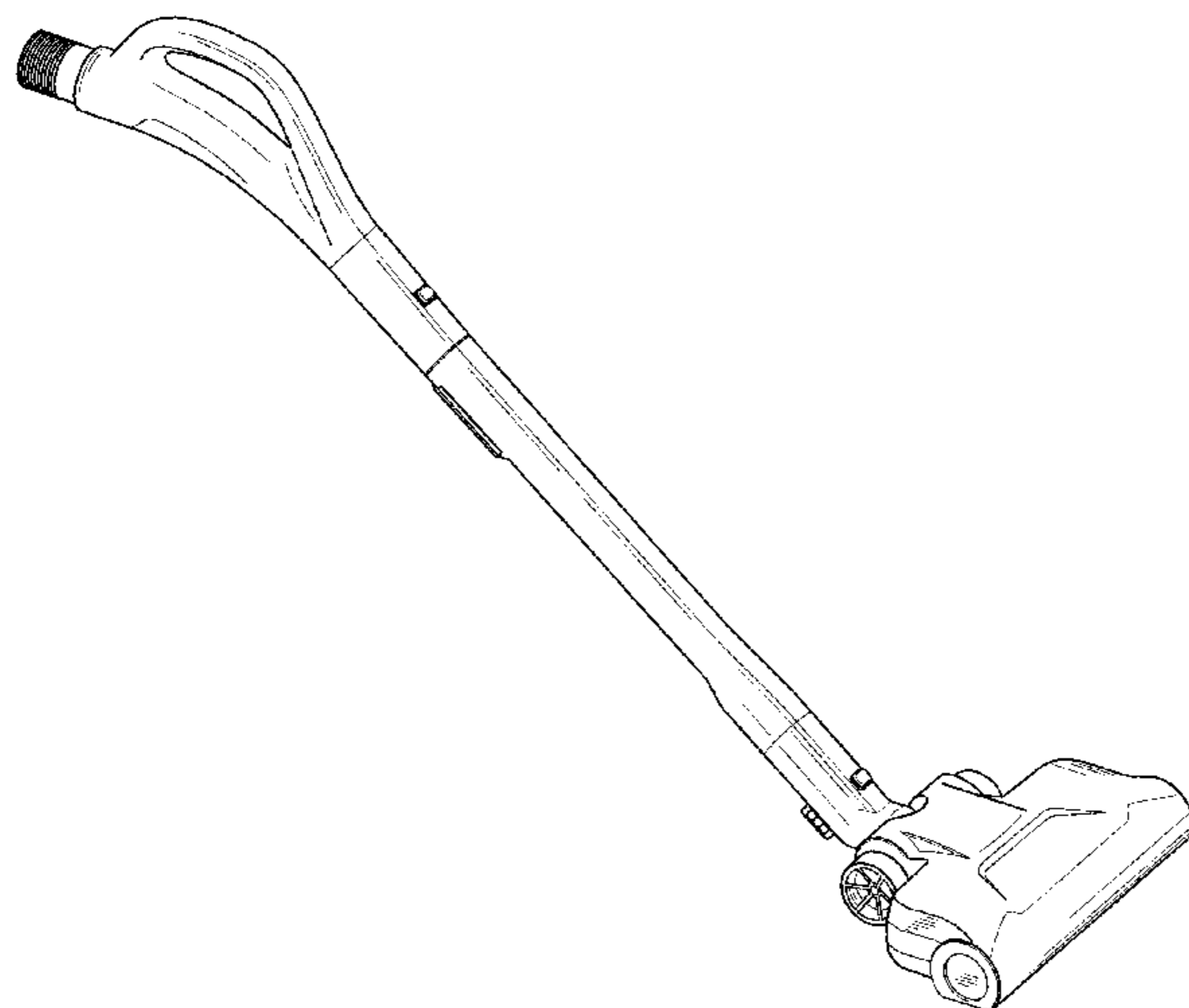
FIG. 9 is a right view of a second embodiment thereof;

FIG. 10 is a front view of a second embodiment thereof;

FIG. 11 is a rear view of a second embodiment thereof; and,

FIG. 12 is a top view of a second embodiment thereof.

1 Claim, 6 Drawing Sheets



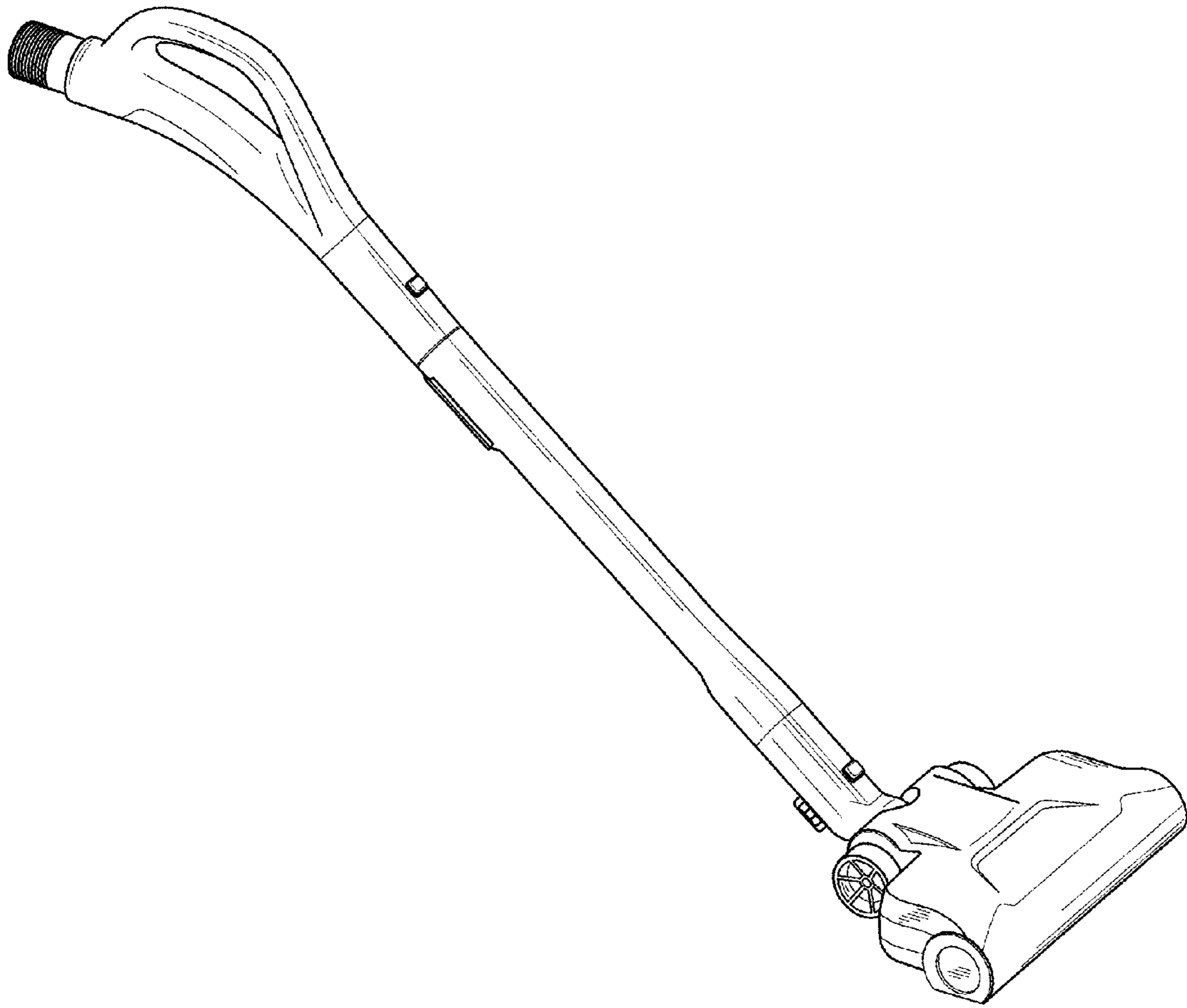


FIGURE 1

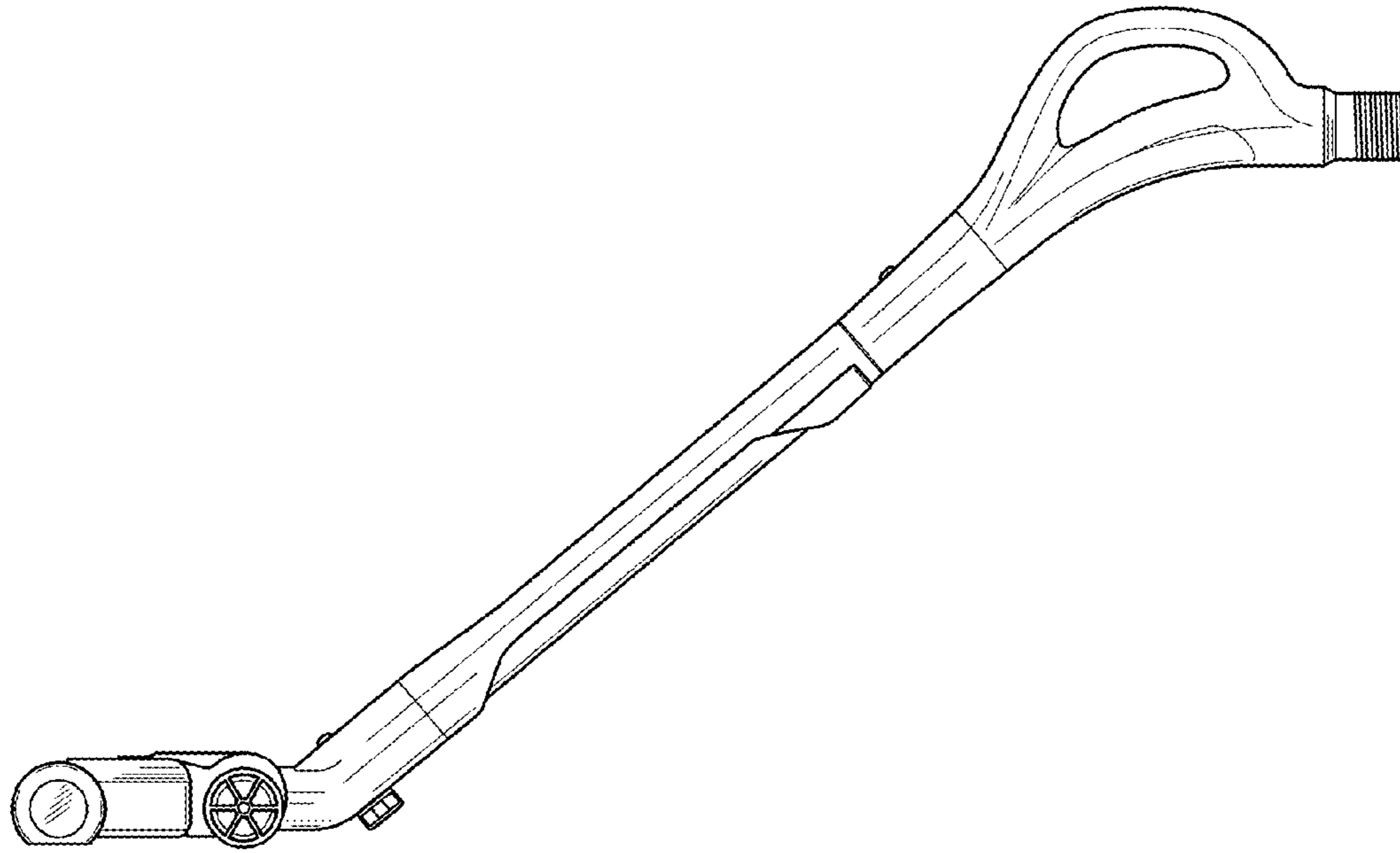


FIGURE 2

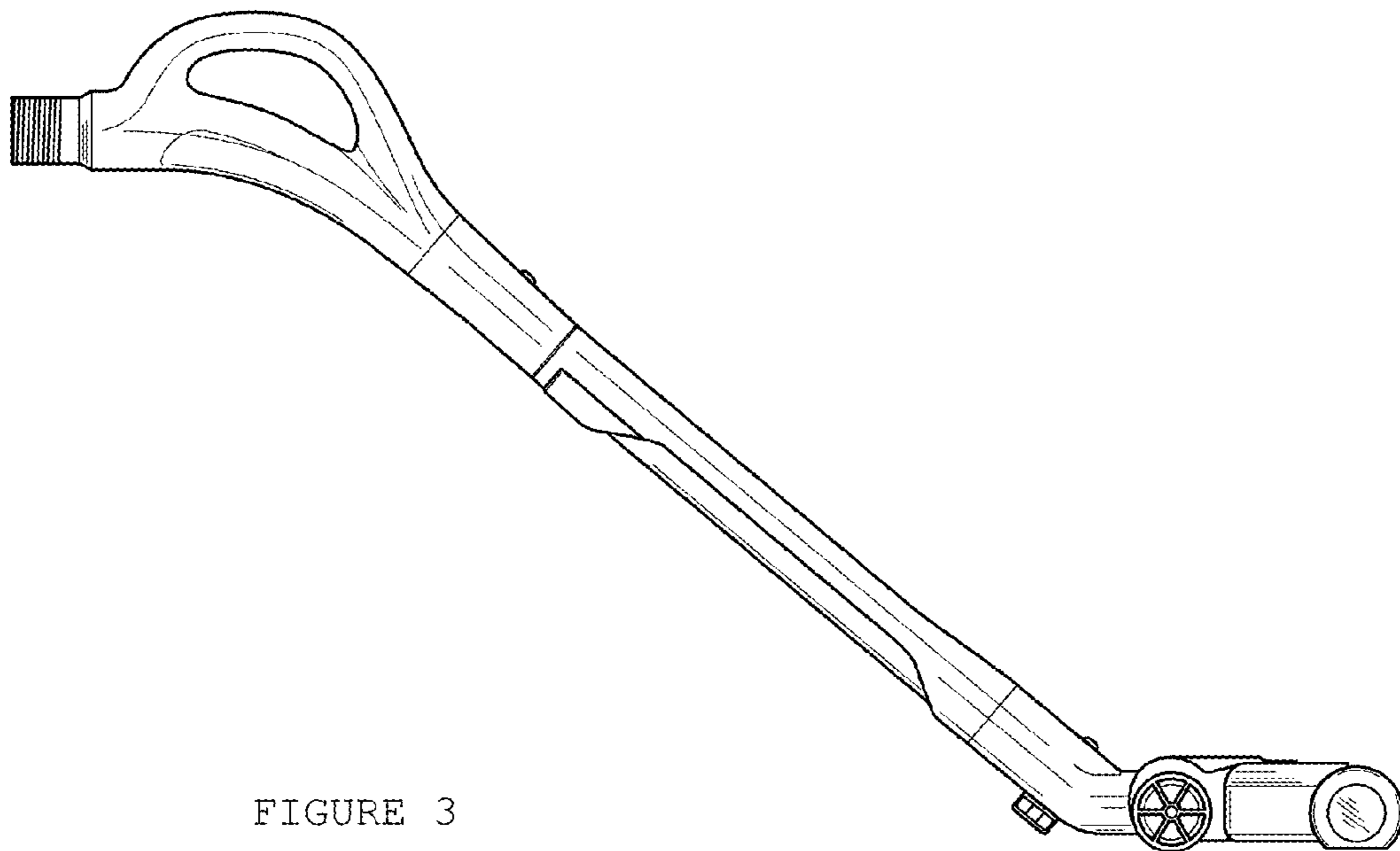


FIGURE 3

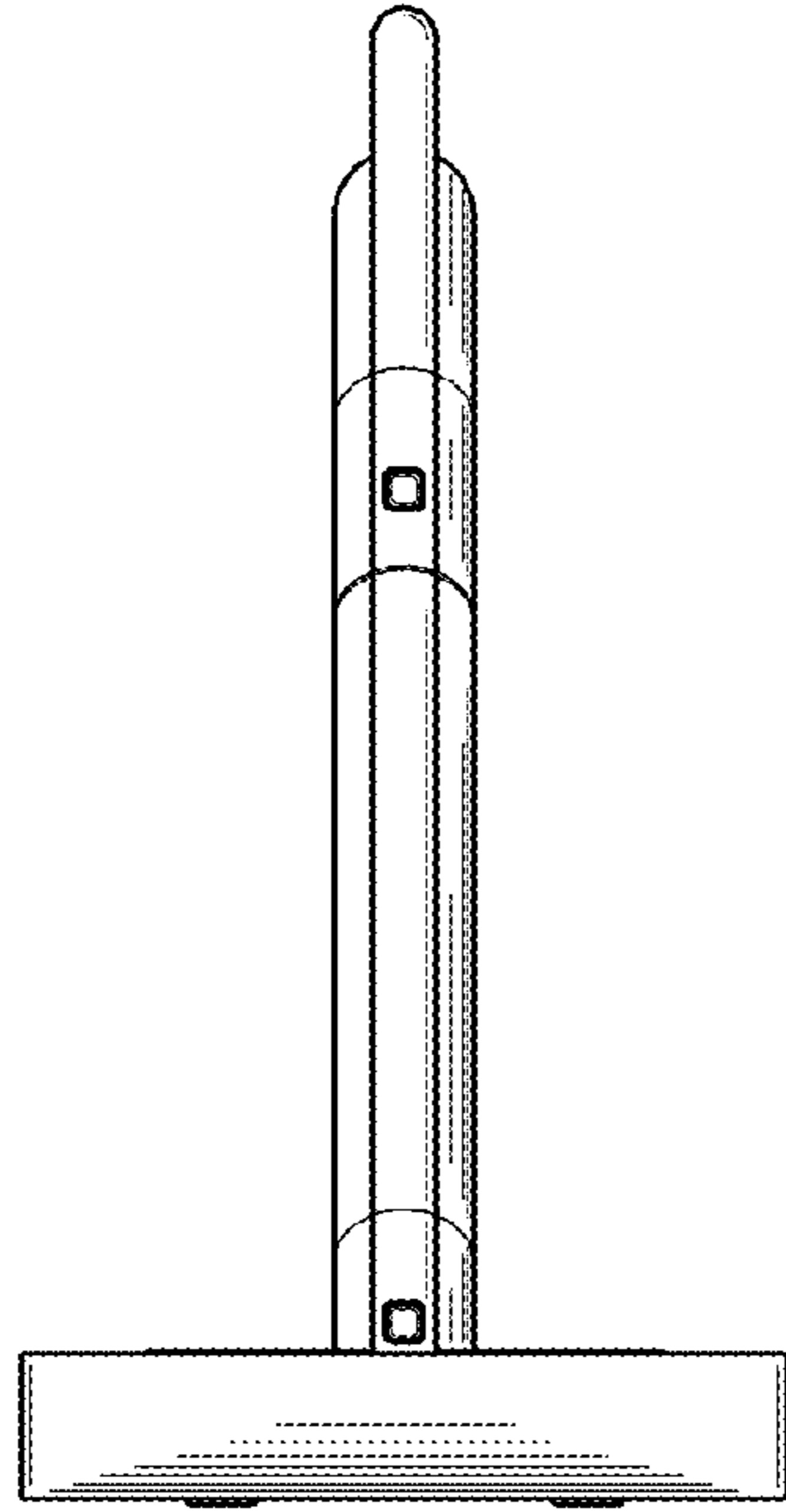


FIGURE 4

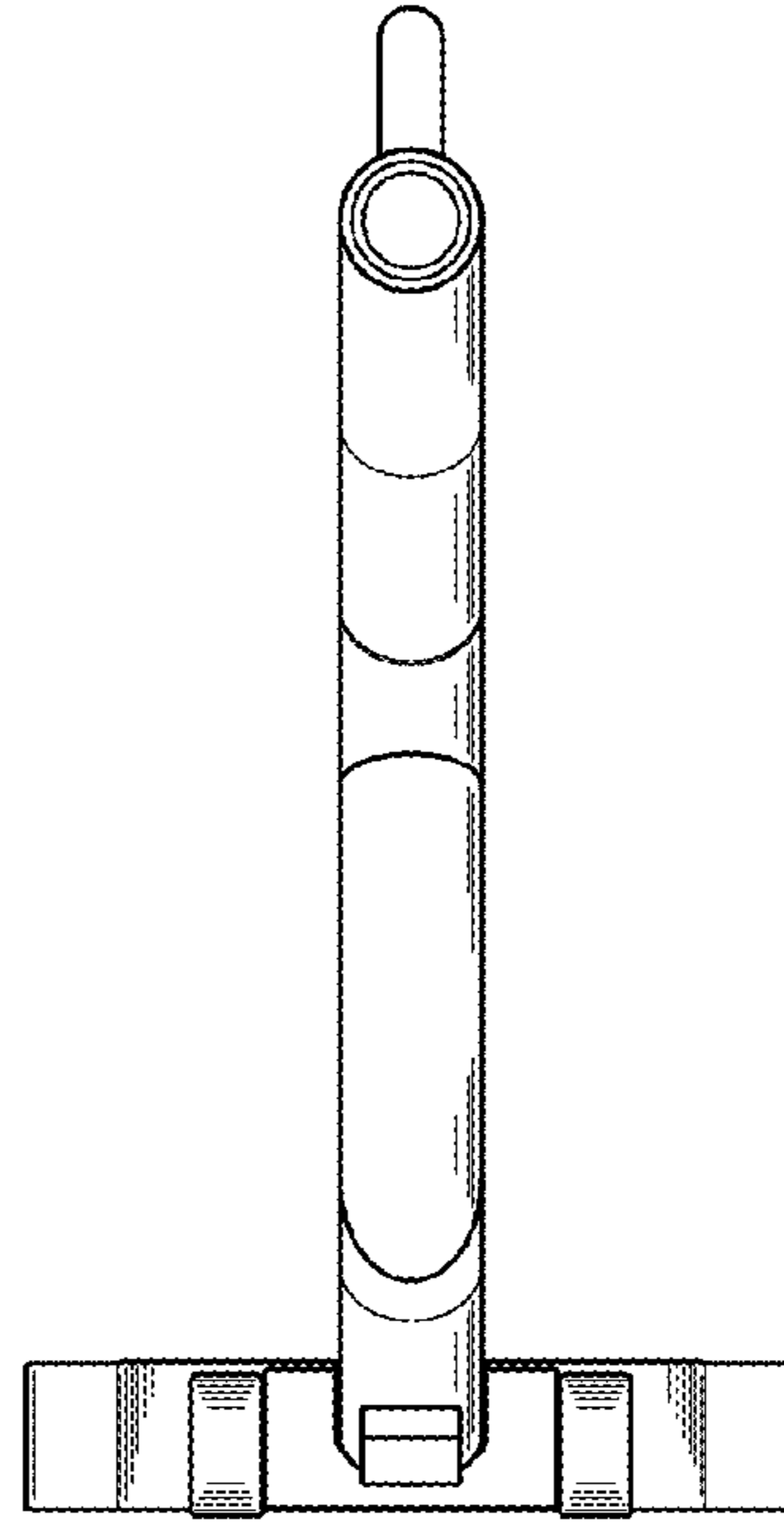


FIGURE 5

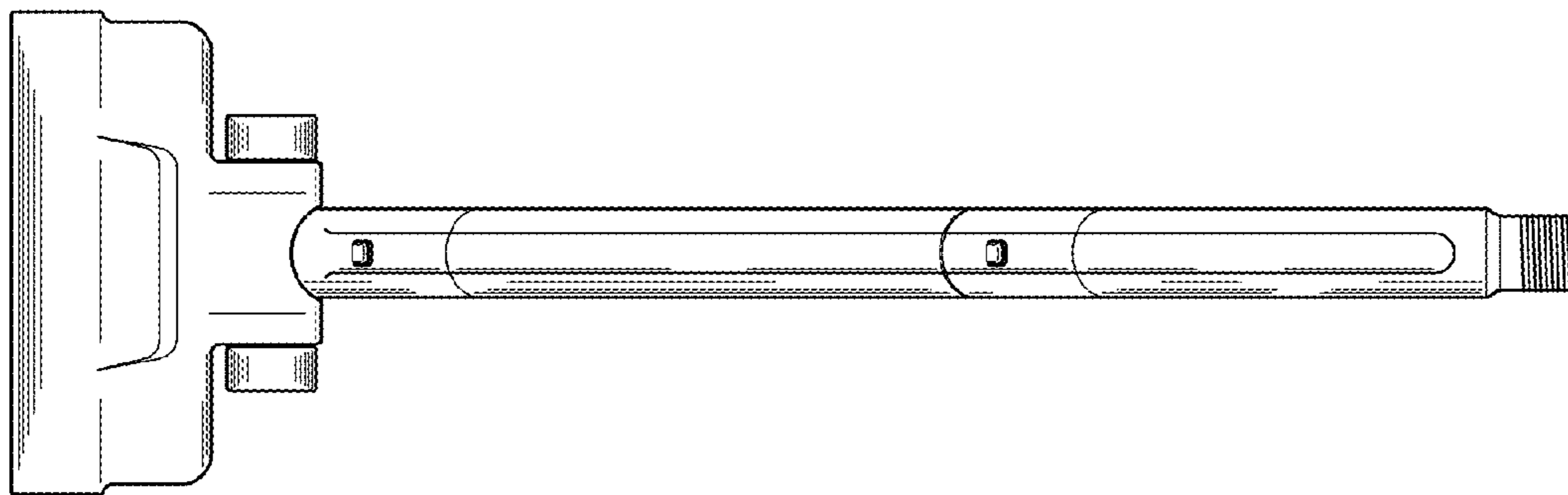


FIGURE 6

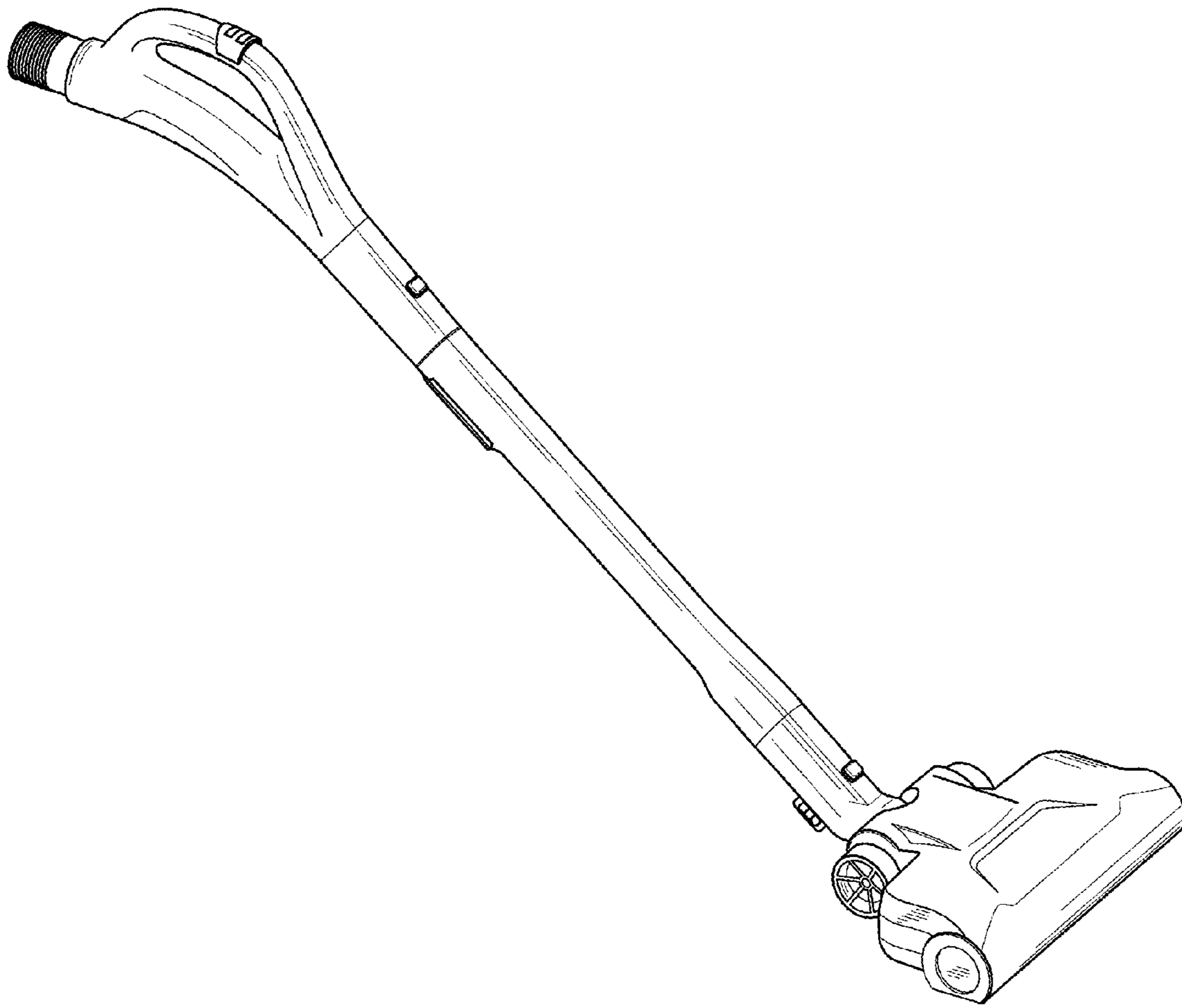


FIGURE 7

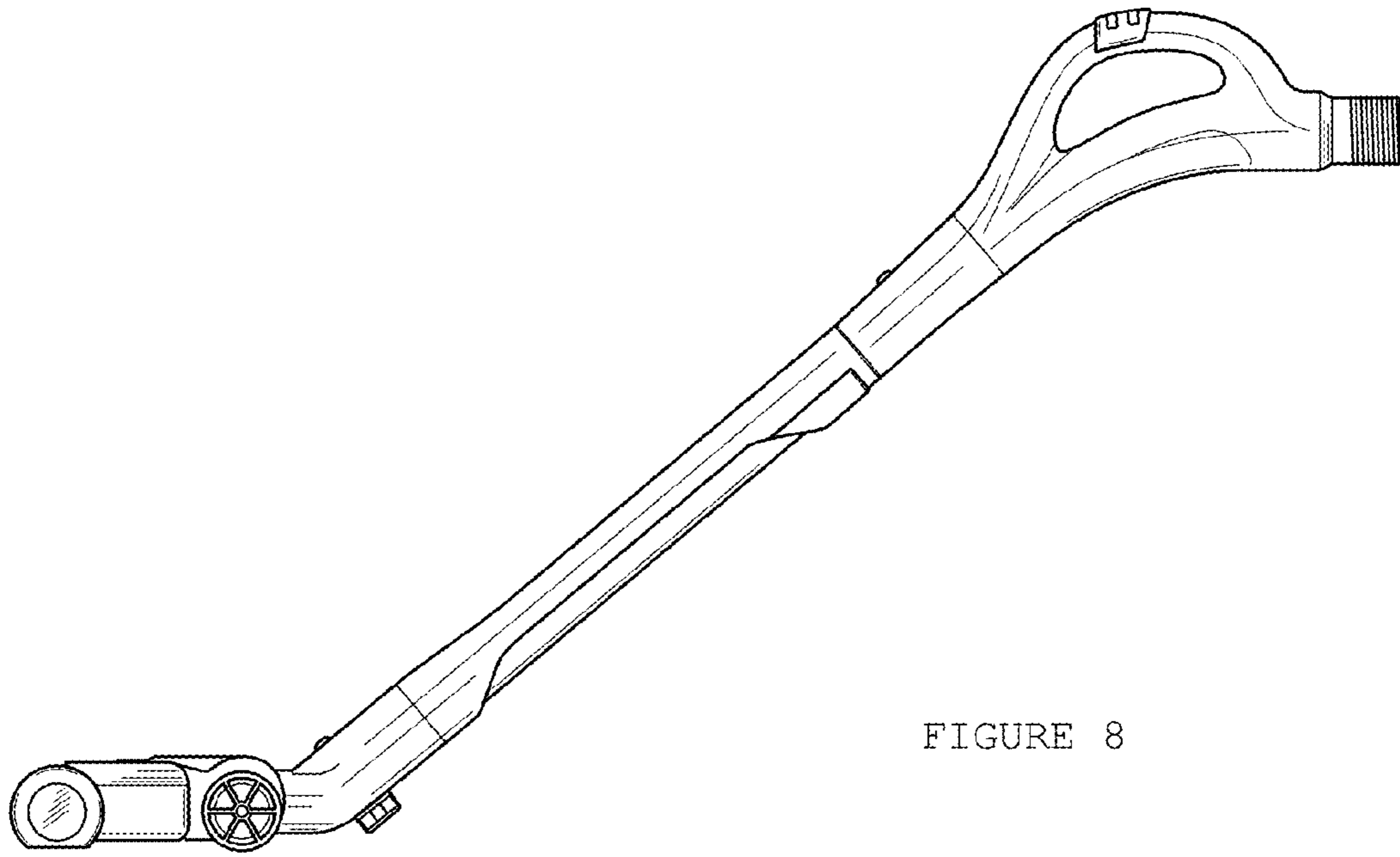


FIGURE 8

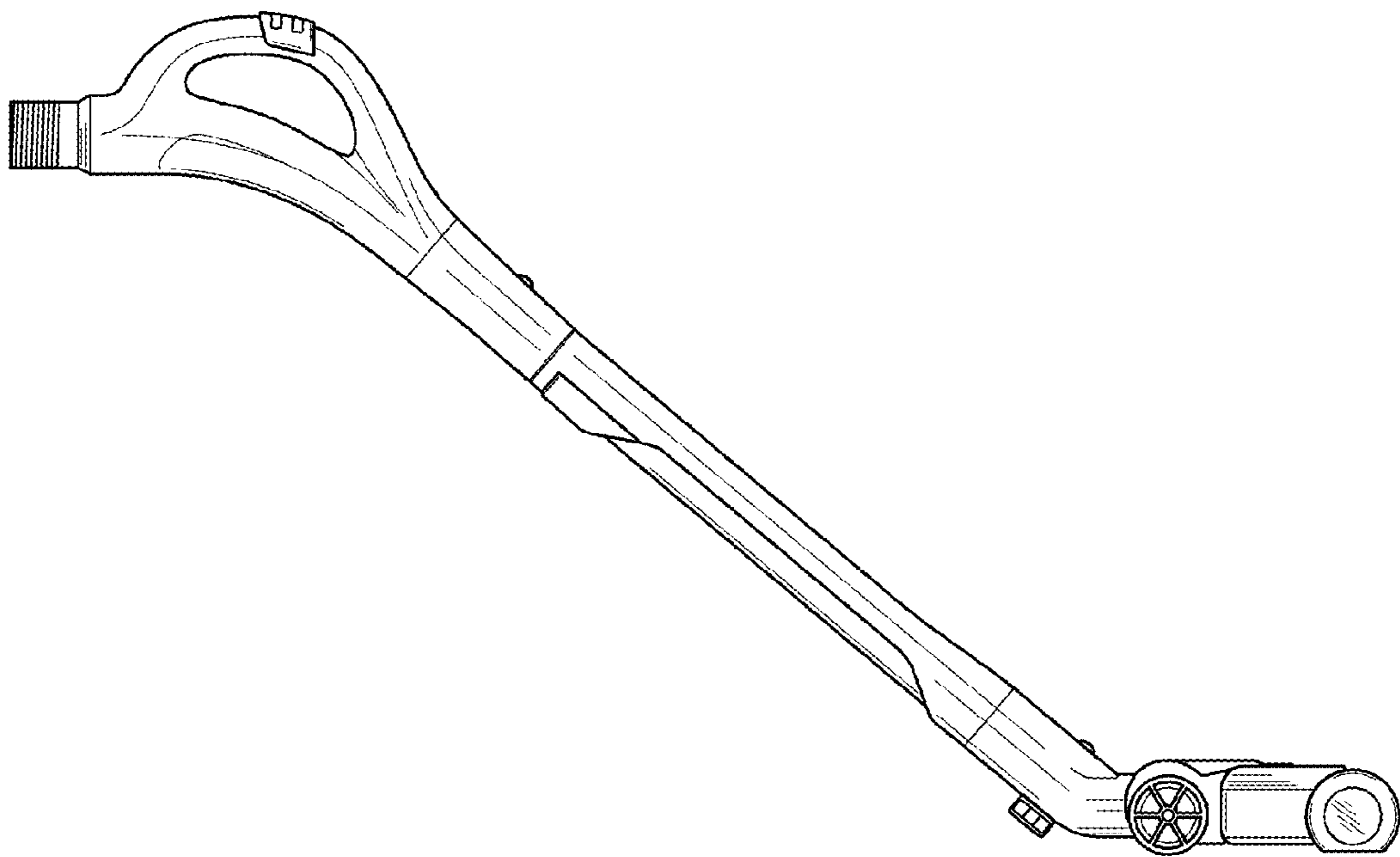


FIGURE 9

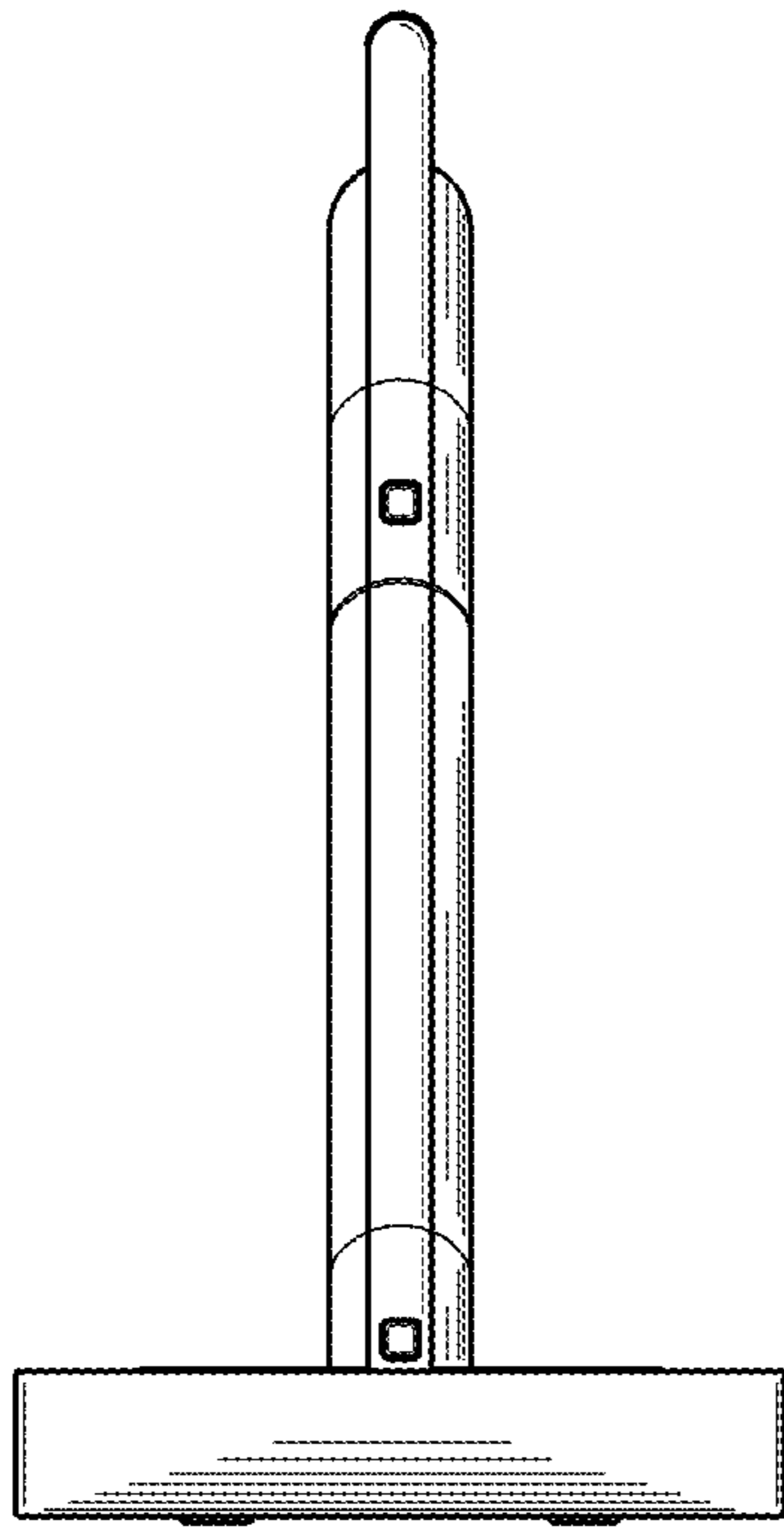


FIGURE 10

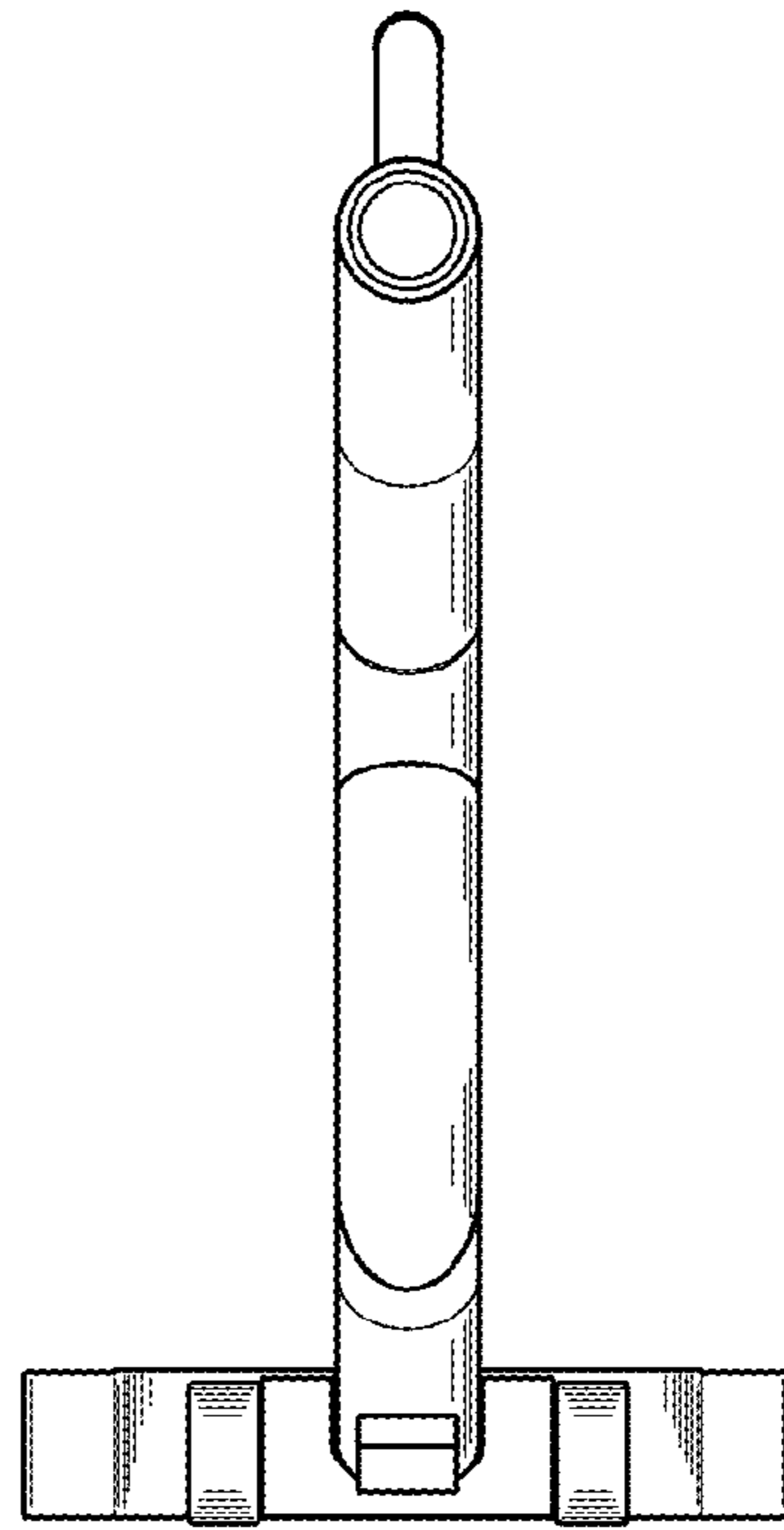


FIGURE 11

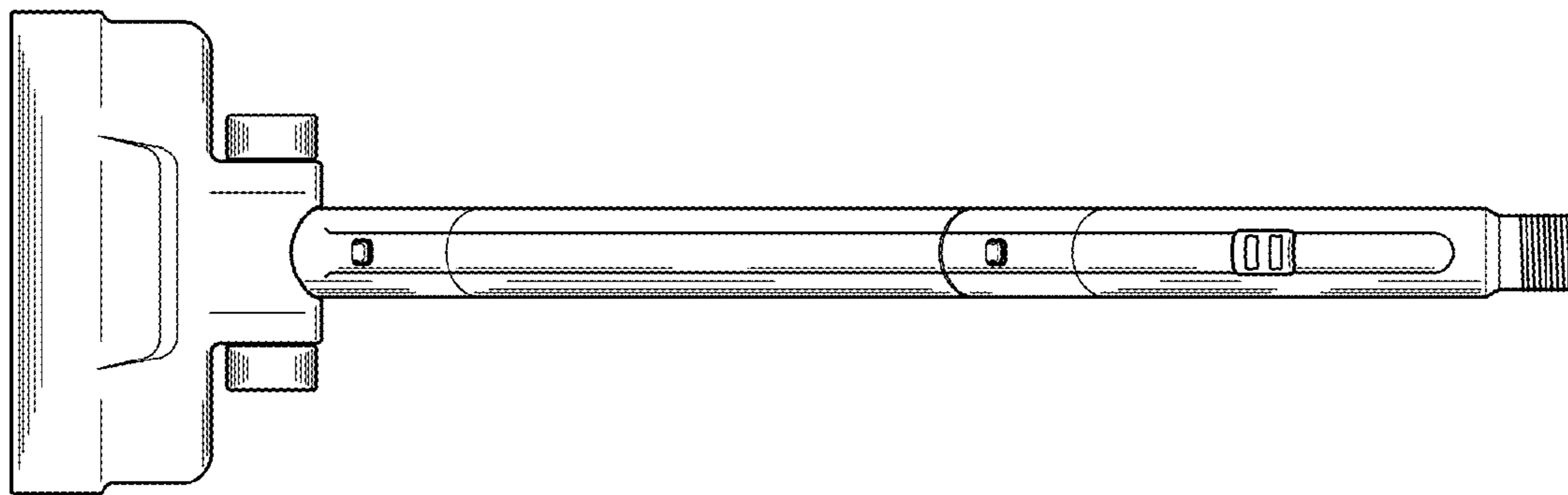


FIGURE 12