



US00D682495S

(12) **United States Design Patent**
Kim et al.

(10) **Patent No.:** **US D682,495 S**

(45) **Date of Patent:** **** May 14, 2013**

(54) **VACUUM CLEANER**

(75) Inventors: **Haejin Kim**, Seoul (KR); **Matt Sang Chul Lee**, Namyangju-si (KR); **Sangmin Hyun**, Seoul (KR); **Younhwa Lee**, Seoul (KR)

(73) Assignee: **Samsung Electronics Co., Ltd.**, Gyeonggi-do (KR)

(**) Term: **14 Years**

(21) Appl. No.: **29/405,555**

(22) Filed: **Nov. 3, 2011**

(51) **LOC (9) Cl.** **15-05**

(52) **U.S. Cl.**
USPC **D32/21**

(58) **Field of Classification Search** D32/21,
D32/23-24, 31; 15/327.1-327.2, 327.4-327.7,
15/1.7, 320-321, 323, 353, 329, 347, 246.2,
15/246.4, 301, 310, 313, 414, 328, 415.1,
15/340.1, 4, 319; 210/241, 167.16, 167.17;
285/7; 701/25, 200; 901/1, 46; 700/245;
318/568.12; 55/DIG. 3, 429

See application file for complete search history.

(56) **References Cited**

U.S. PATENT DOCUMENTS

4,306,329 A * 12/1981 Yokoi 15/319
D375,592 S * 11/1996 Ljunggren D32/21

5,787,545 A * 8/1998 Colens 15/319
D524,495 S * 7/2006 Ljunggren D32/21
D526,753 S * 8/2006 Tani et al. D32/21
D527,854 S * 9/2006 Marzynski D32/21
D548,411 S * 8/2007 Schroter D32/21
D548,902 S * 8/2007 Chun et al. D32/21
D548,903 S * 8/2007 Chun et al. D32/21
D556,961 S * 12/2007 Swyst et al. D32/21
7,346,428 B1 * 3/2008 Huffman et al. 700/245
D593,265 S * 5/2009 Carr et al. D32/21
D596,815 S * 7/2009 Baek D32/21
D602,215 S * 10/2009 Ljunggren D32/21
D658,341 S * 4/2012 Nam et al. D32/21
2012/0102670 A1 * 5/2012 Jang et al. 15/347

* cited by examiner

Primary Examiner — Ruth McInroy

(74) *Attorney, Agent, or Firm* — Harness, Dickey & Pierce, P.L.C.

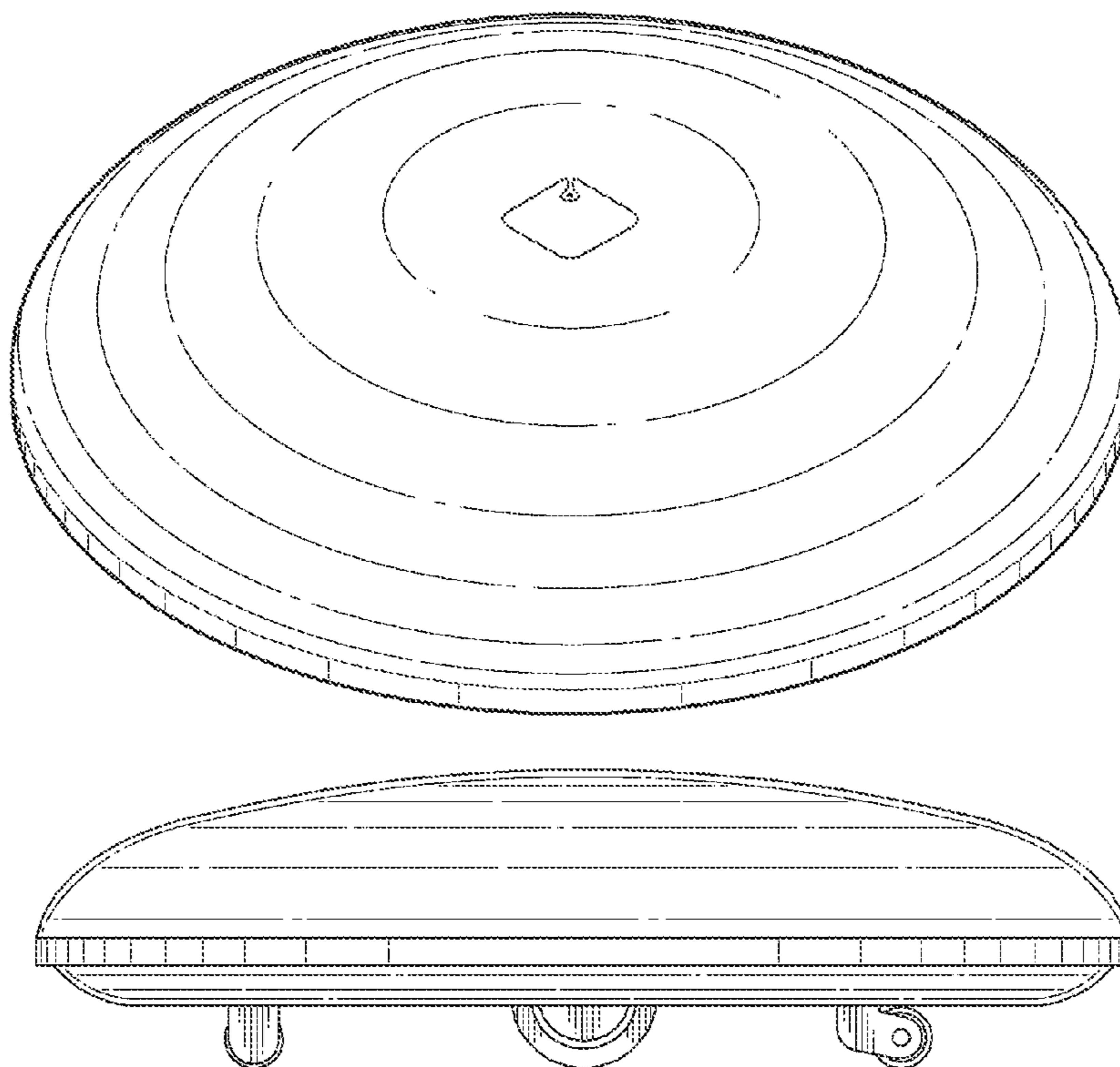
(57) **CLAIM**

We claim the ornamental design for a vacuum cleaner, as shown and described.

DESCRIPTION

FIG. 1 is a front/right-side/top perspective view of a vacuum cleaner showing our new design;
FIG. 2 is a front elevational view thereof;
FIG. 3 is a rear elevational view thereof;
FIG. 4 is a left side elevational view thereof;
FIG. 5 is a right side elevational view thereof; and,
FIG. 6 is a top plan view thereof.

1 Claim, 4 Drawing Sheets



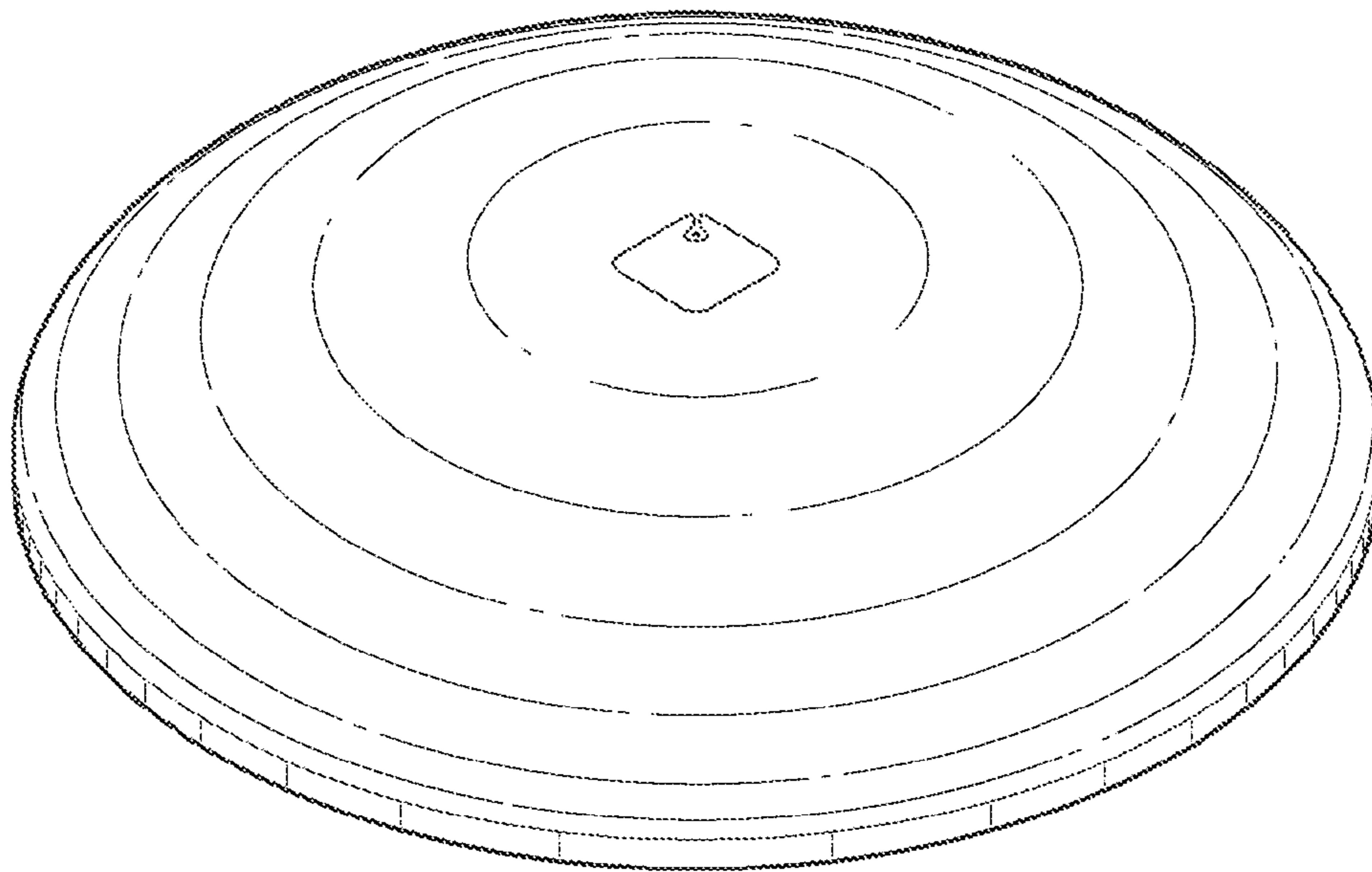


FIG. 1

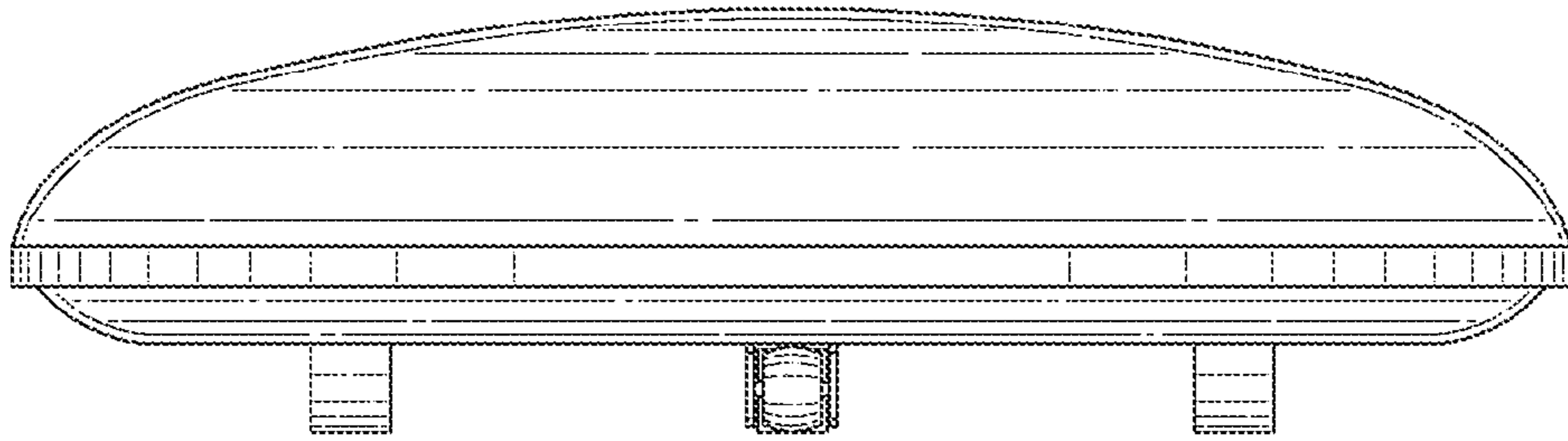


FIG. 2

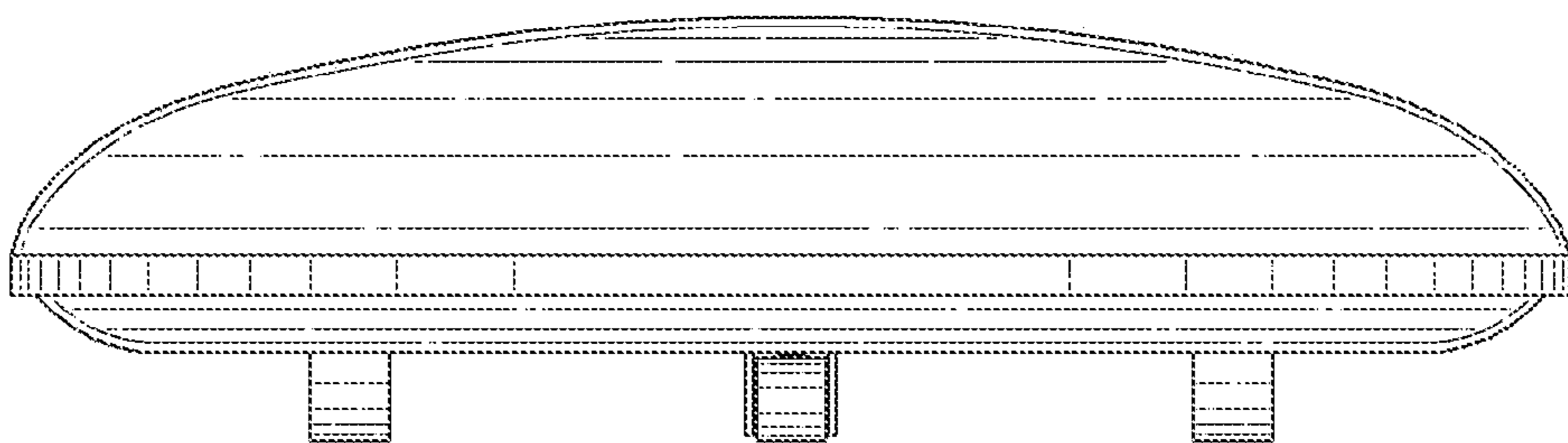


FIG. 3

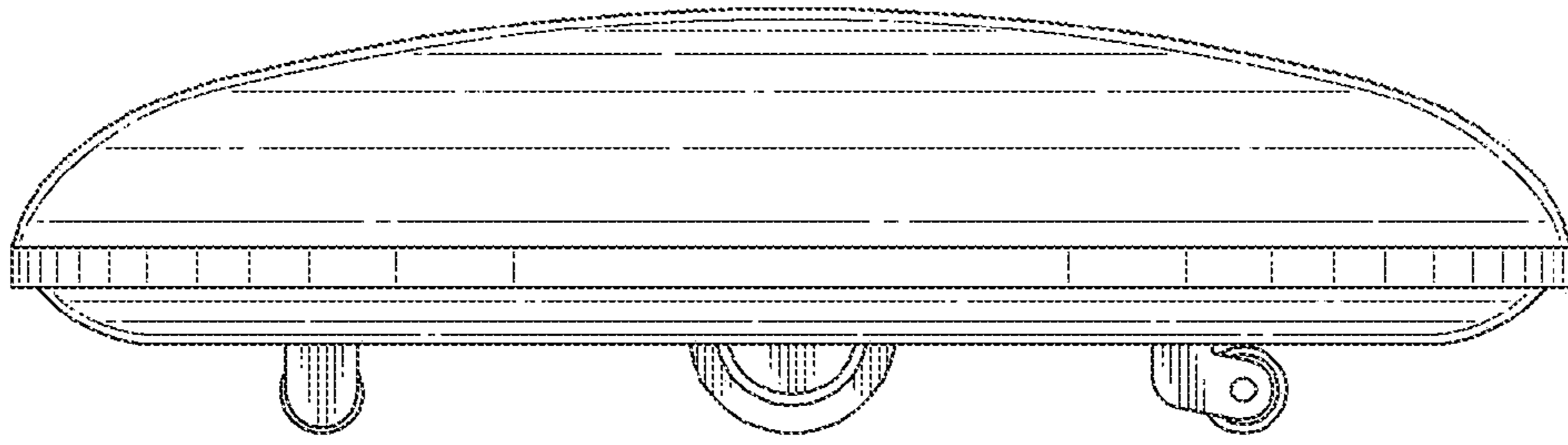


FIG. 4

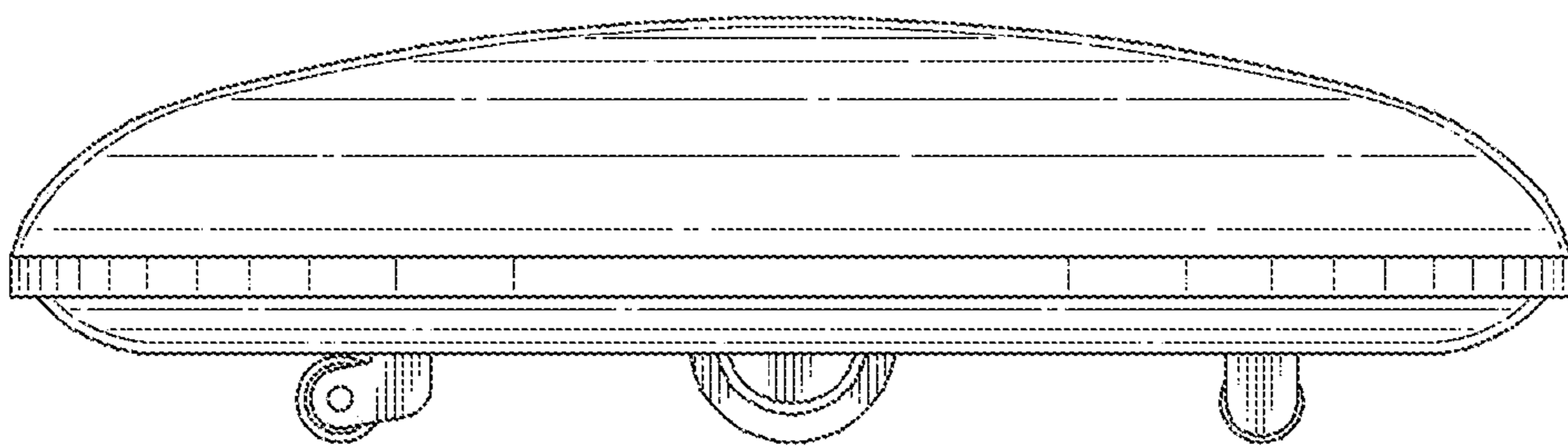


FIG. 5

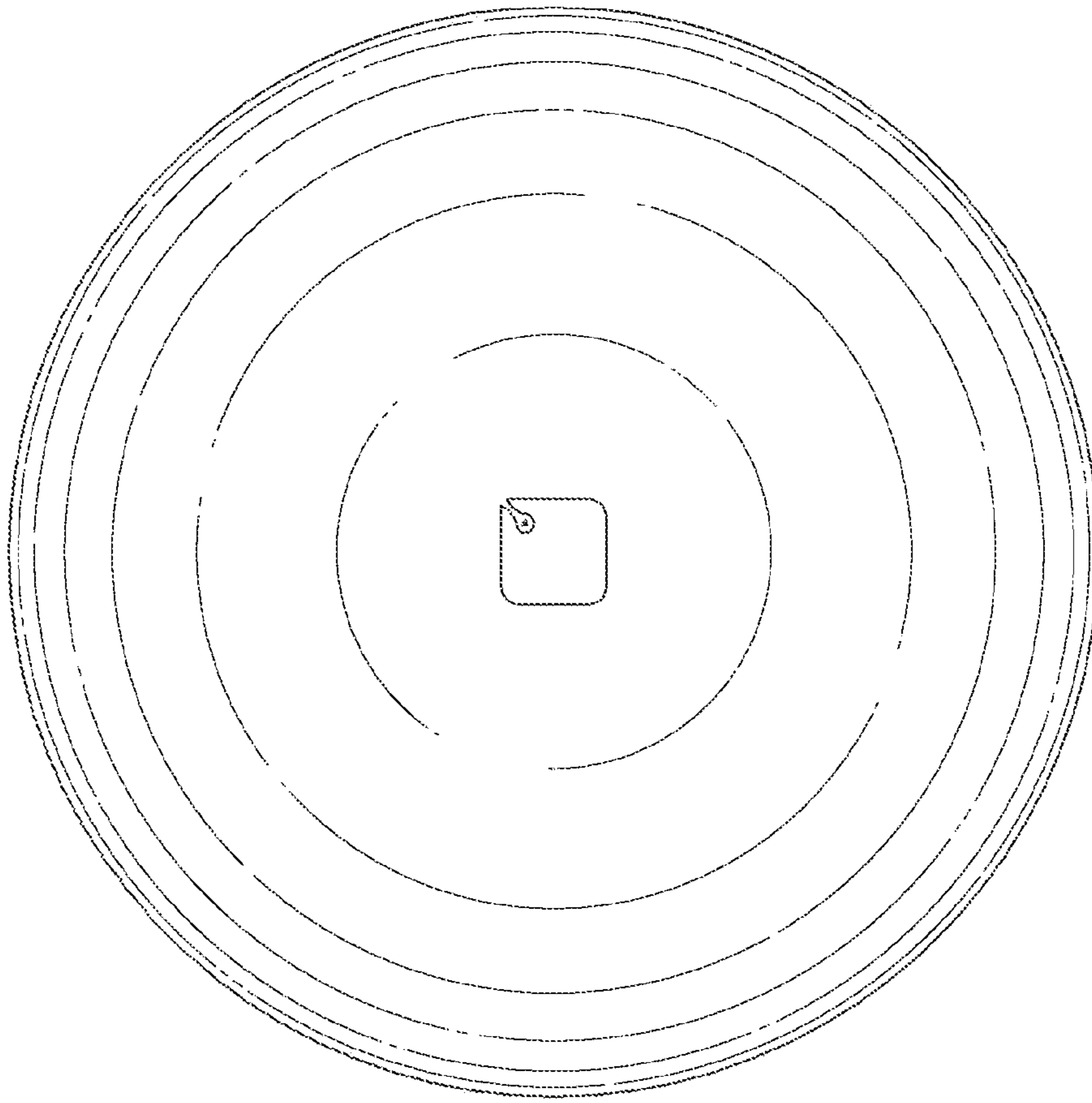


FIG. 6