



US00D682494S

(12) **United States Design Patent**
Kim et al.

(10) **Patent No.:** **US D682,494 S**

(45) **Date of Patent:** **** May 14, 2013**

(54) **VACUUM CLEANER**

(75) Inventors: **Joo-Hyung Kim**, Seoul (KR); **Gyoo Sang Choi**, Seoul (KR)

(73) Assignee: **Samsung Electronics Co., Ltd.**, Suwon-Si (KR)

(**) Term: **14 Years**

(21) Appl. No.: **29/385,466**

(22) Filed: **Feb. 15, 2011**

(51) **LOC (9) Cl.** **15-05**

(52) **U.S. Cl.**
USPC **D32/21**

(58) **Field of Classification Search** D32/21,
D32/23-24, 30-31; 15/327.1-327, 7, 328,
15/340.1, 340.2, 353, 347, 301, 336, 320,
15/314, 352, 412; 55/447, 337, 345, DIG. 3
See application file for complete search history.

(56) **References Cited**

U.S. PATENT DOCUMENTS

D344,373 S *	2/1994	Haverkamp	D32/21
D394,528 S *	5/1998	Pochopien et al.	D32/21
D398,093 S *	9/1998	Fujima	D32/21
D417,323 S *	11/1999	Fujita et al.	D32/21
D446,363 S *	8/2001	Sato et al.	D32/21

D491,703 S *	6/2004	Harada	D32/21
D493,585 S *	7/2004	Choi	D32/21
D495,455 S *	8/2004	Brown et al.	D32/21
D503,250 S *	3/2005	Choi	D32/21
D597,713 S *	8/2009	Brown et al.	D32/21
D616,619 S *	5/2010	Schroeter	D32/21
D617,963 S *	6/2010	Ayers	D32/21
D643,166 S *	8/2011	Lee	D32/21

* cited by examiner

Primary Examiner — Ruth McInroy

(74) *Attorney, Agent, or Firm* — Ladas & Parry LLP

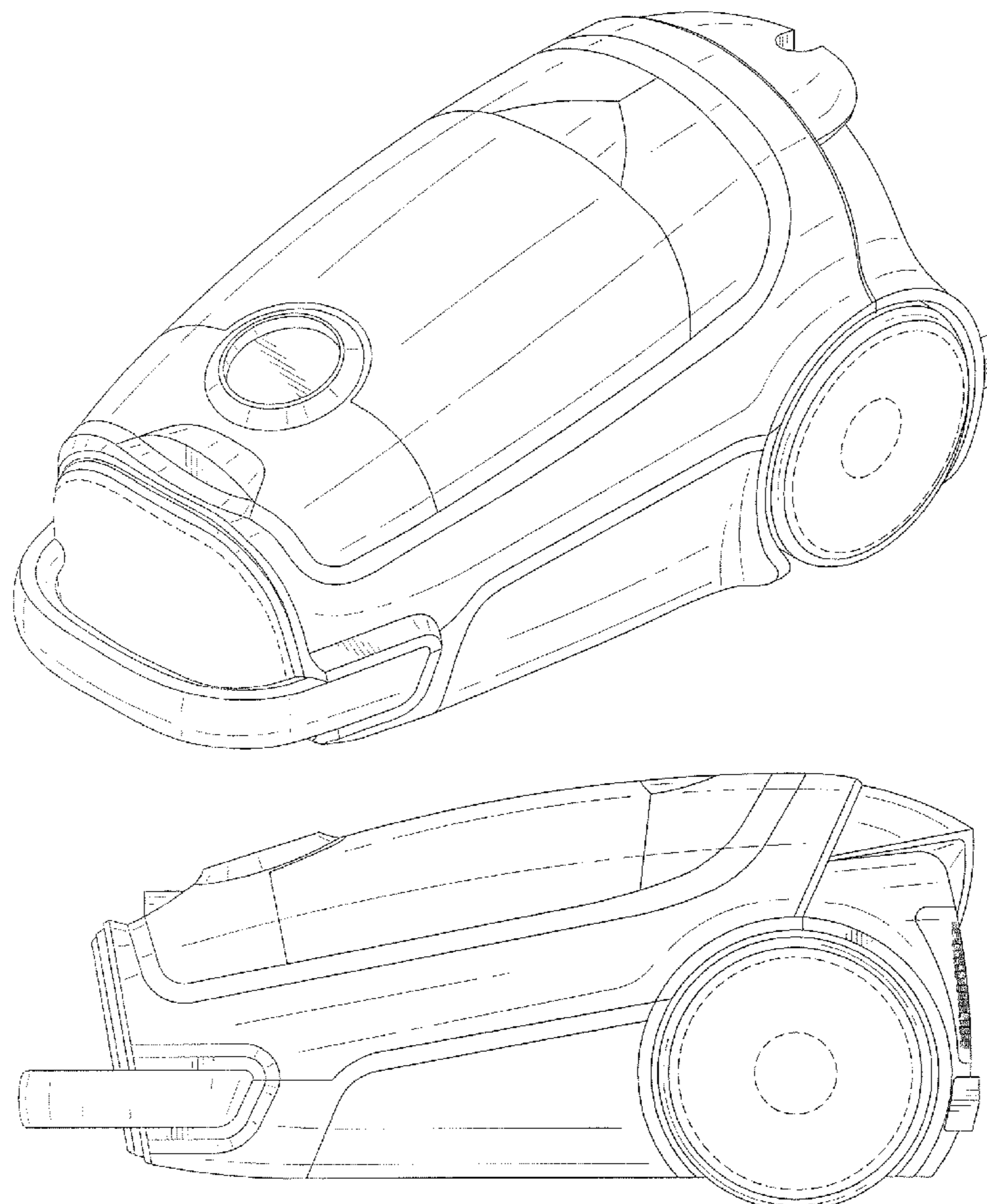
(57) **CLAIM**

We claim the ornamental design for a vacuum cleaner, as shown and described.

DESCRIPTION

FIG. 1 is a front, top and right-side perspective view of a vacuum cleaner showing our new design; FIG. 2 is a front elevational view thereof; FIG. 3 is a rear elevational view thereof; FIG. 4 is a left-side elevational view thereof; FIG. 5 is a right-side elevational view thereof; and, FIG. 6 is a top plan view thereof. The details shown in broken lines form no part of the claimed design.

1 Claim, 4 Drawing Sheets



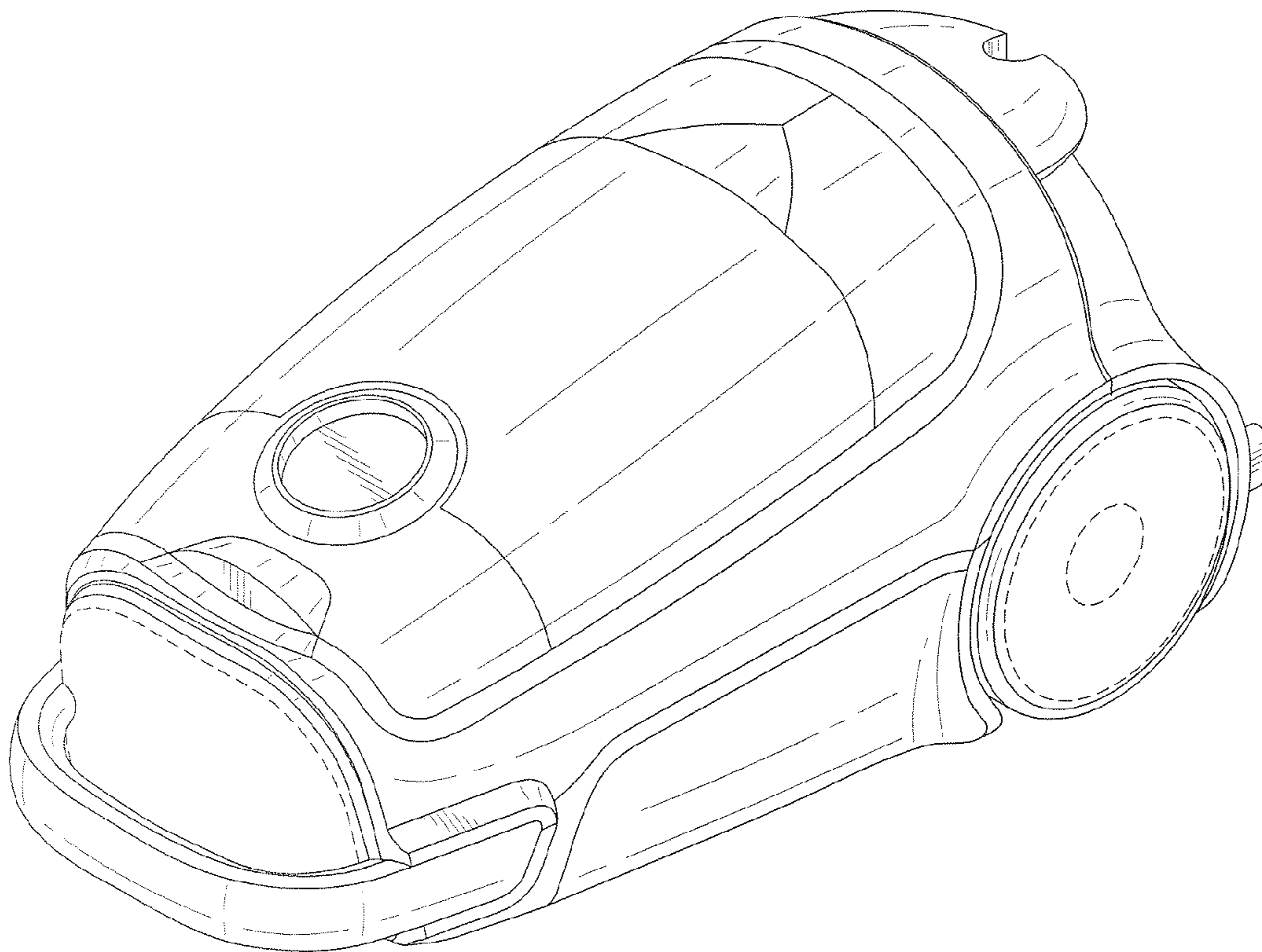


FIG. 1

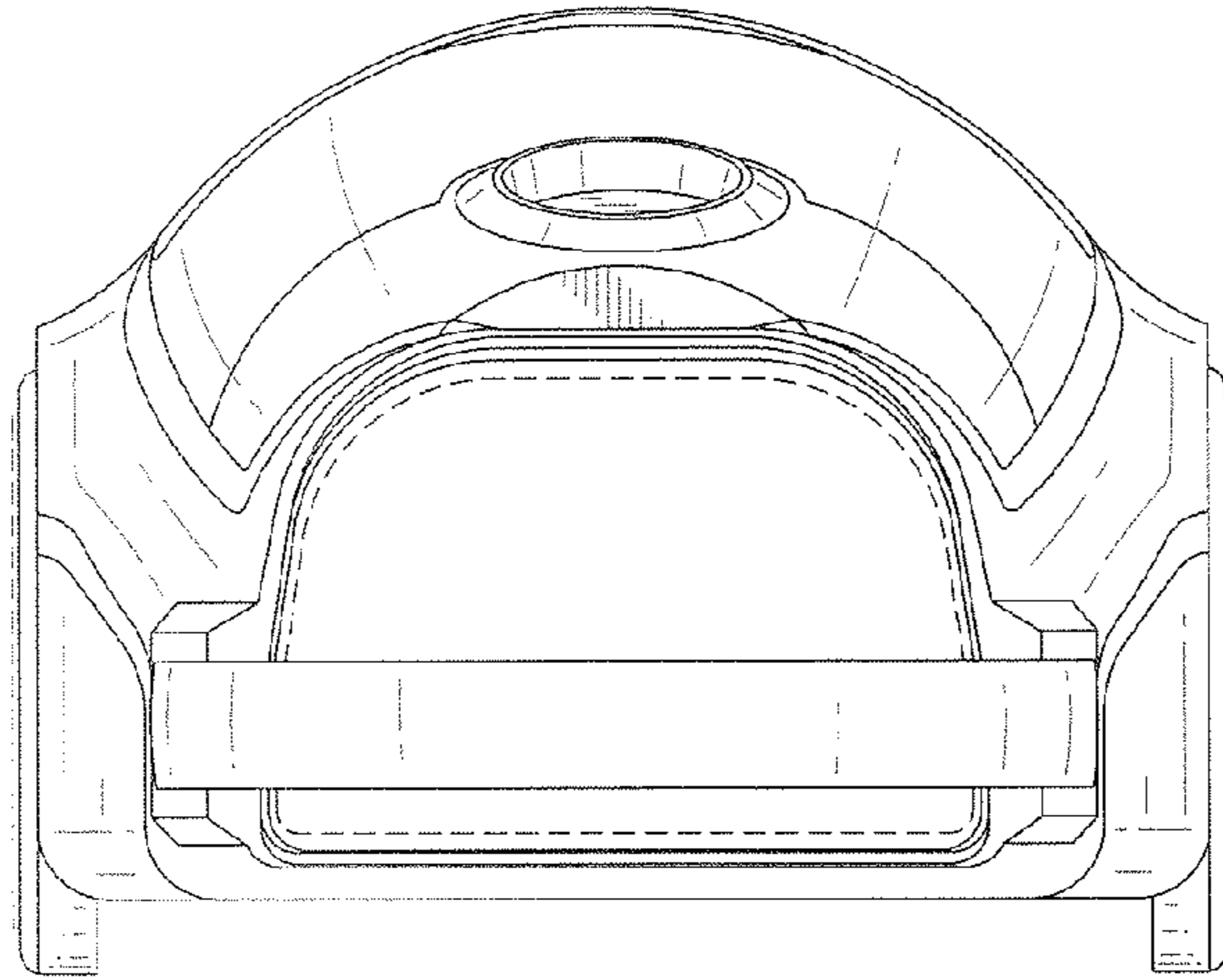


FIG. 2

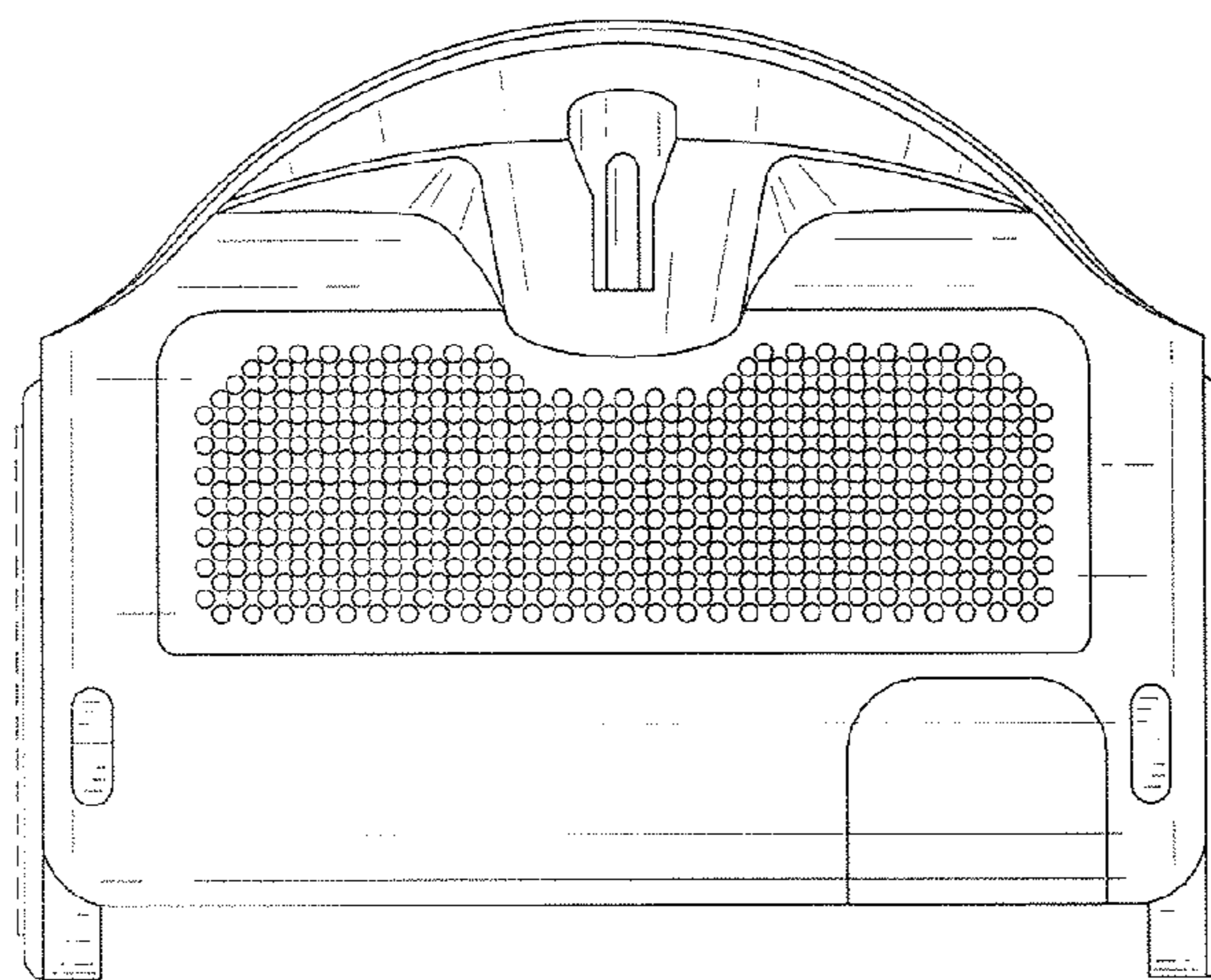


FIG. 3

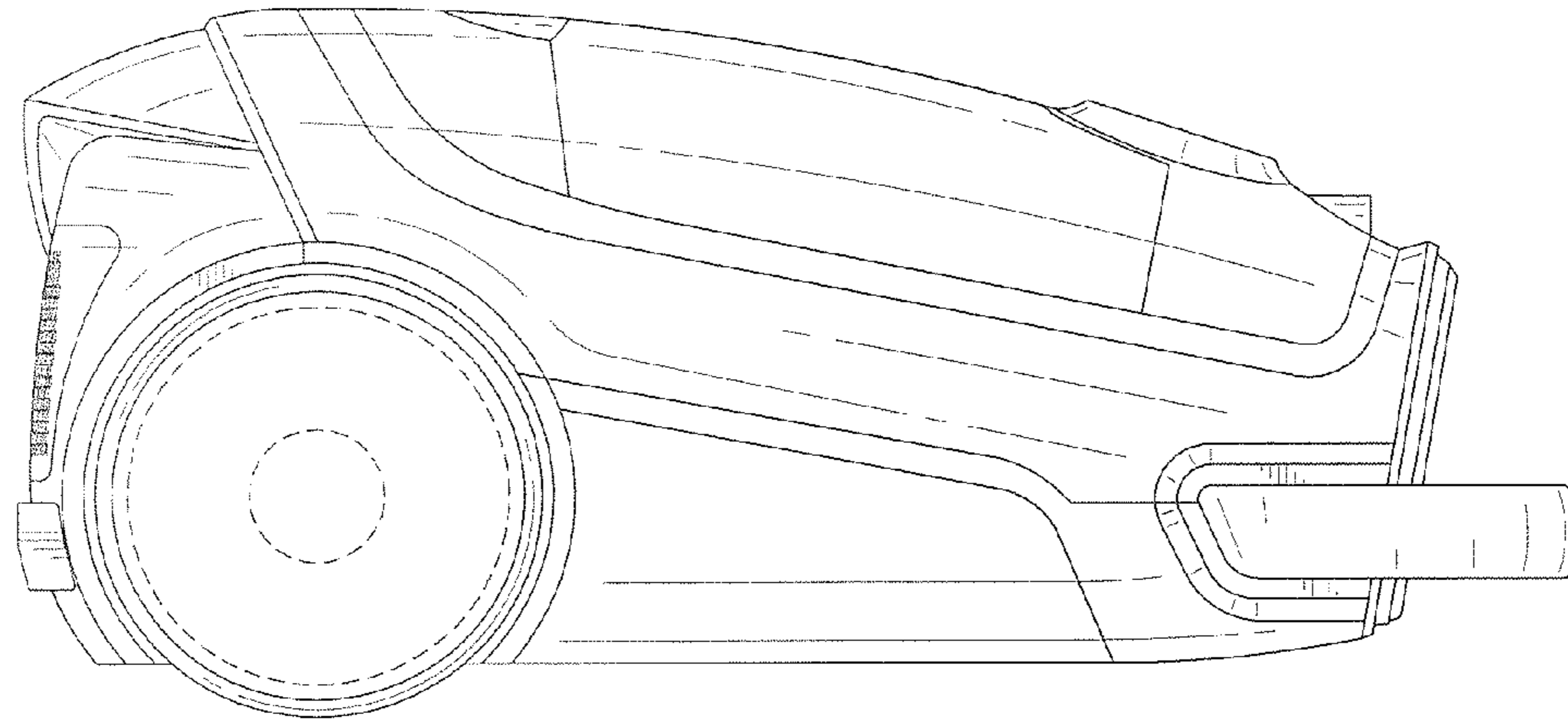


FIG. 4

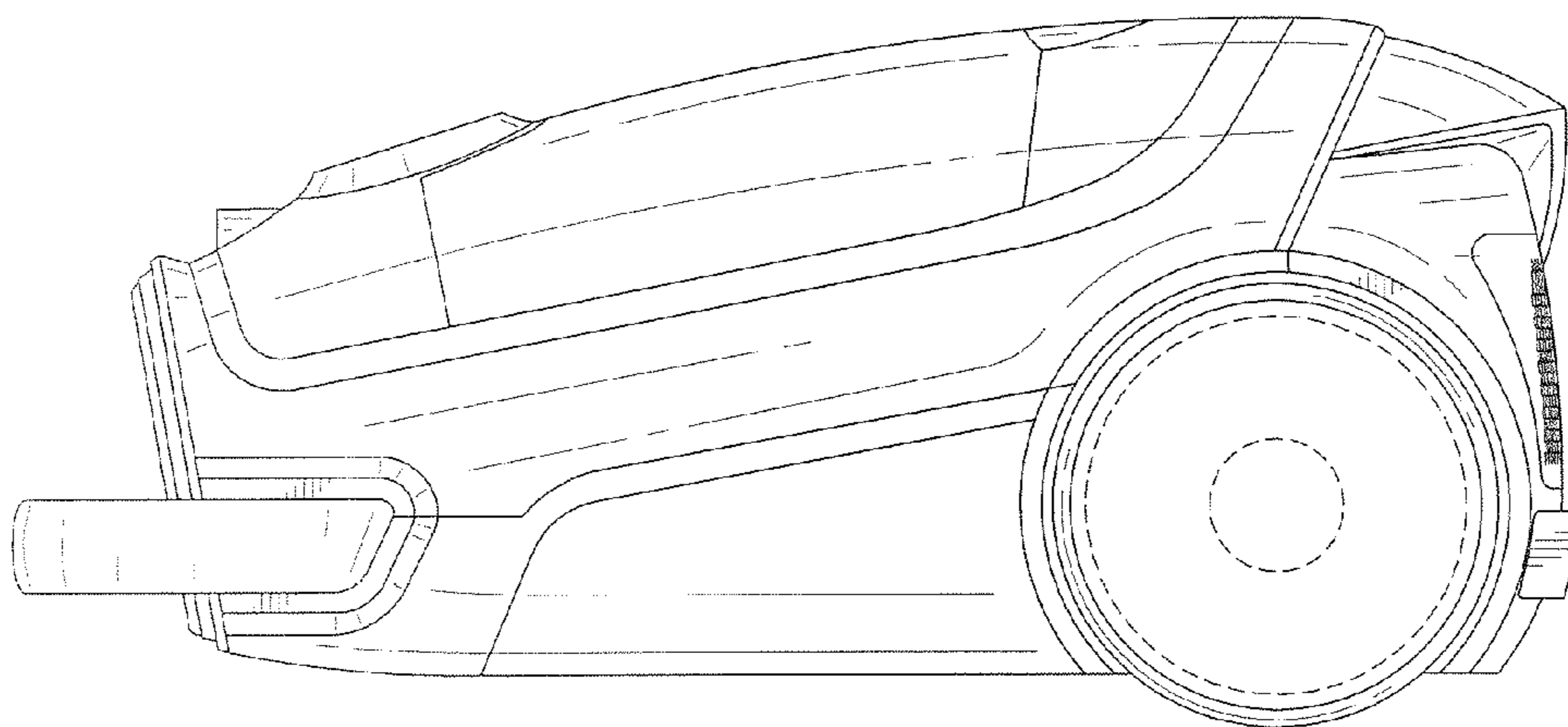


FIG. 5

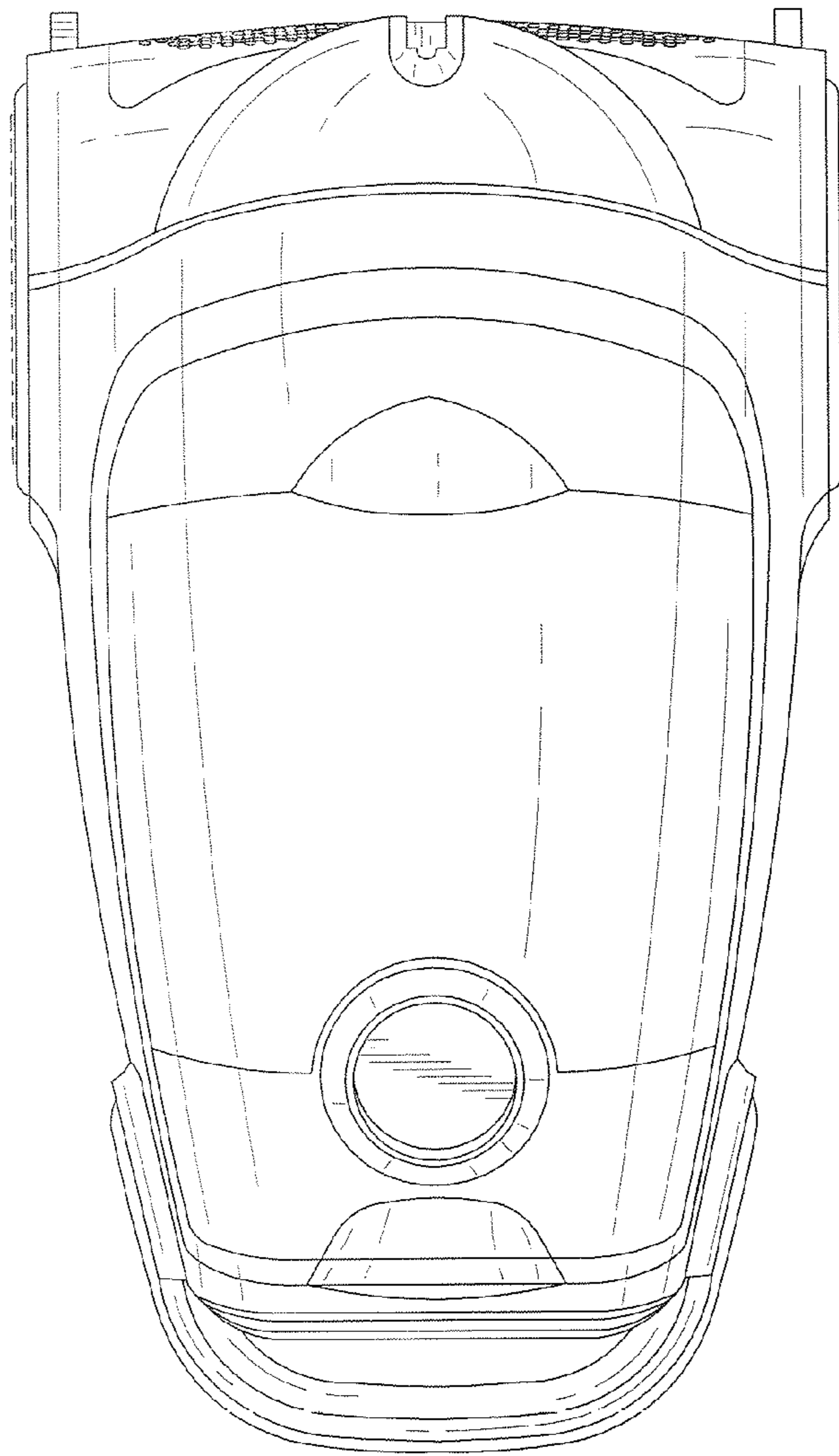


FIG. 6