



US00D682491S

(12) **United States Design Patent**
Kim et al.

(10) **Patent No.:** **US D682,491 S**

(45) **Date of Patent:** **** *May 14, 2013**

(54) **DISH WASHER**

(56) **References Cited**

(75) Inventors: **Jae Jun Kim**, Seoul (KR); **Dae Kyun Lee**, Seoul (KR); **Jiho Kim**, Kyunggi-do (KR); **Gilock Lee**, Seoul (KR)

U.S. PATENT DOCUMENTS

D191,224 S *	8/1961	Fay	D32/2
D544,657 S *	6/2007	Jung et al.	D32/2
D545,009 S *	6/2007	Jung et al.	D32/2
D549,404 S *	8/2007	Jeon et al.	D32/2
D627,937 S *	11/2010	Kim	D32/2
D627,938 S *	11/2010	Kim	D32/2

(73) Assignee: **Samsung Electronics Co., Ltd.**, Suwon-si (KR)

* cited by examiner

(*) Notice: This patent is subject to a terminal disclaimer.

Primary Examiner — T. Chase Nelson
Assistant Examiner — Kathleen M Sims

(74) *Attorney, Agent, or Firm* — Ladas & Parry LLP

(**) Term: **14 Years**

(57) **CLAIM**

We claim the ornamental design for a dish washer, as shown.

(21) Appl. No.: **29/396,357**

DESCRIPTION

(22) Filed: **Jun. 29, 2011**

(51) **LOC (9) Cl.** **15-05**

(52) **U.S. Cl.**

USPC **D32/2**

(58) **Field of Classification Search** D32/1,
D32/2, 3, 25, 28; D7/348, 349, 350; 134/56 D,
134/57 D, 58 D

FIG. 1 is a front/right-side/top perspective view of a dish washer showing our new design;
FIG. 2 is a front-side elevational view thereof;
FIG. 3 is a rear-side elevational view thereof;
FIG. 4 is a left-side elevational view thereof;
FIG. 5 is a right-side elevational view thereof;
FIG. 6 is a top-side elevational view thereof; and,
FIG. 7 is a bottom-side elevational view thereof.

See application file for complete search history.

1 Claim, 7 Drawing Sheets

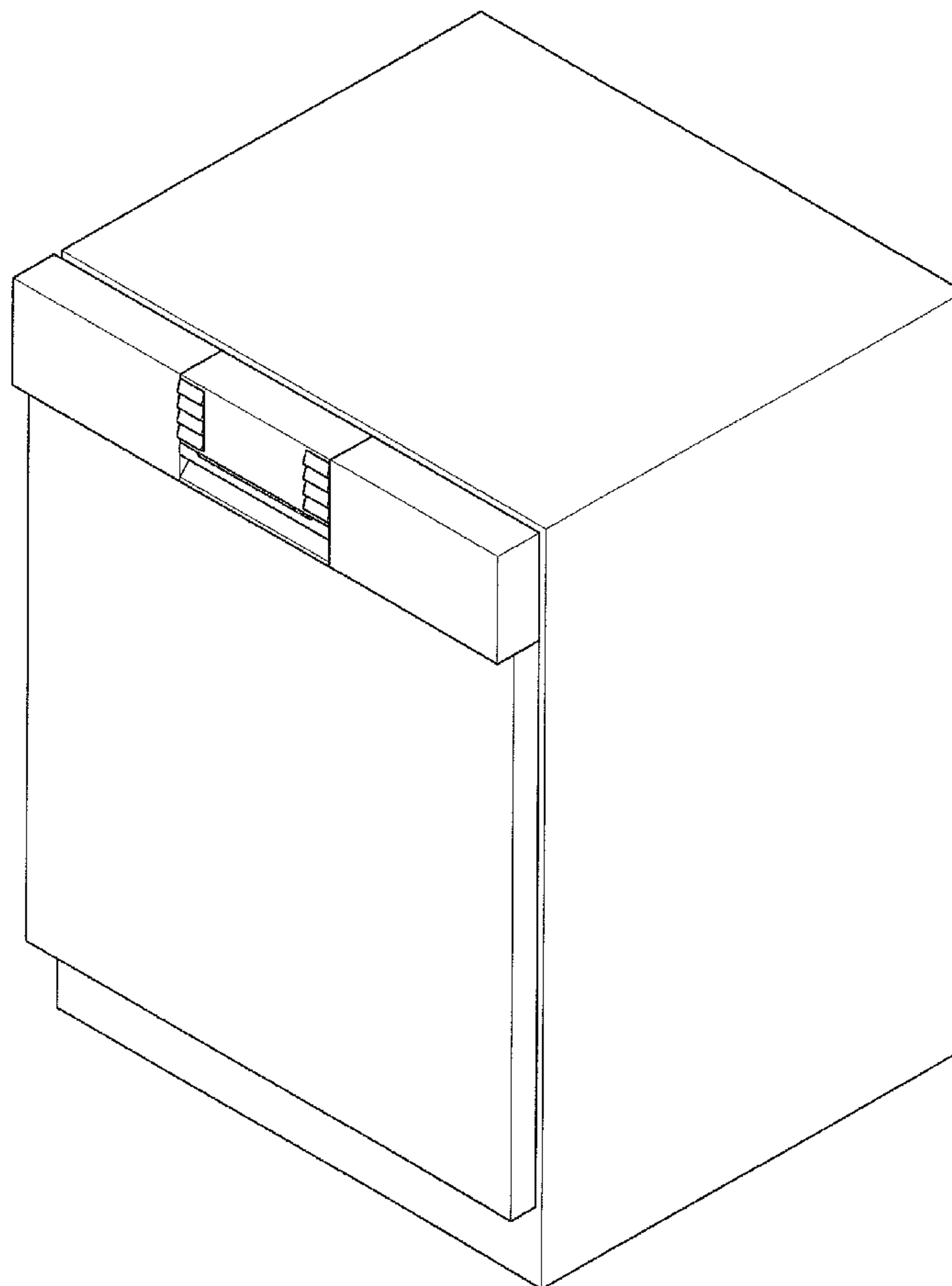


FIG. 1

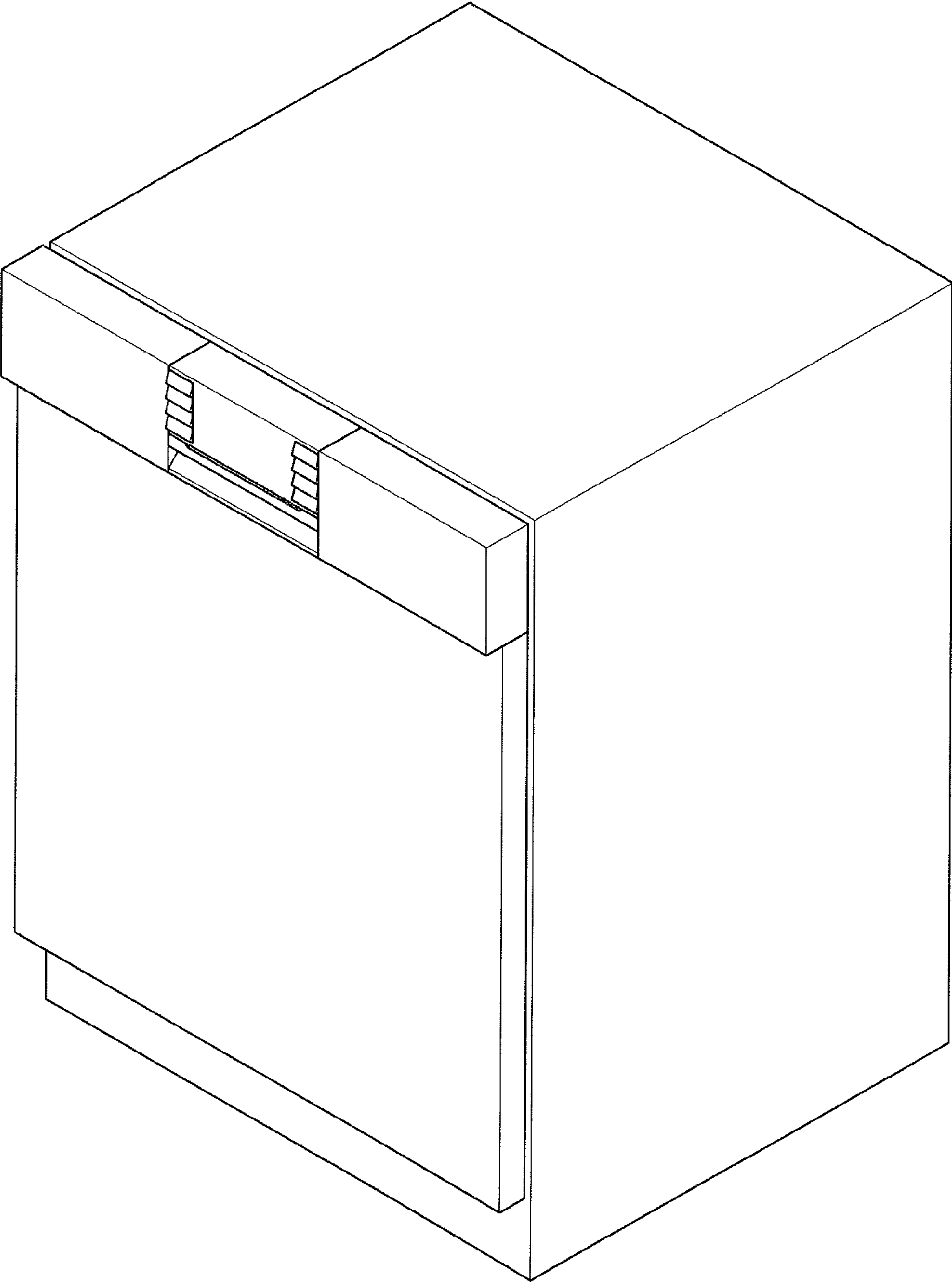


FIG. 2

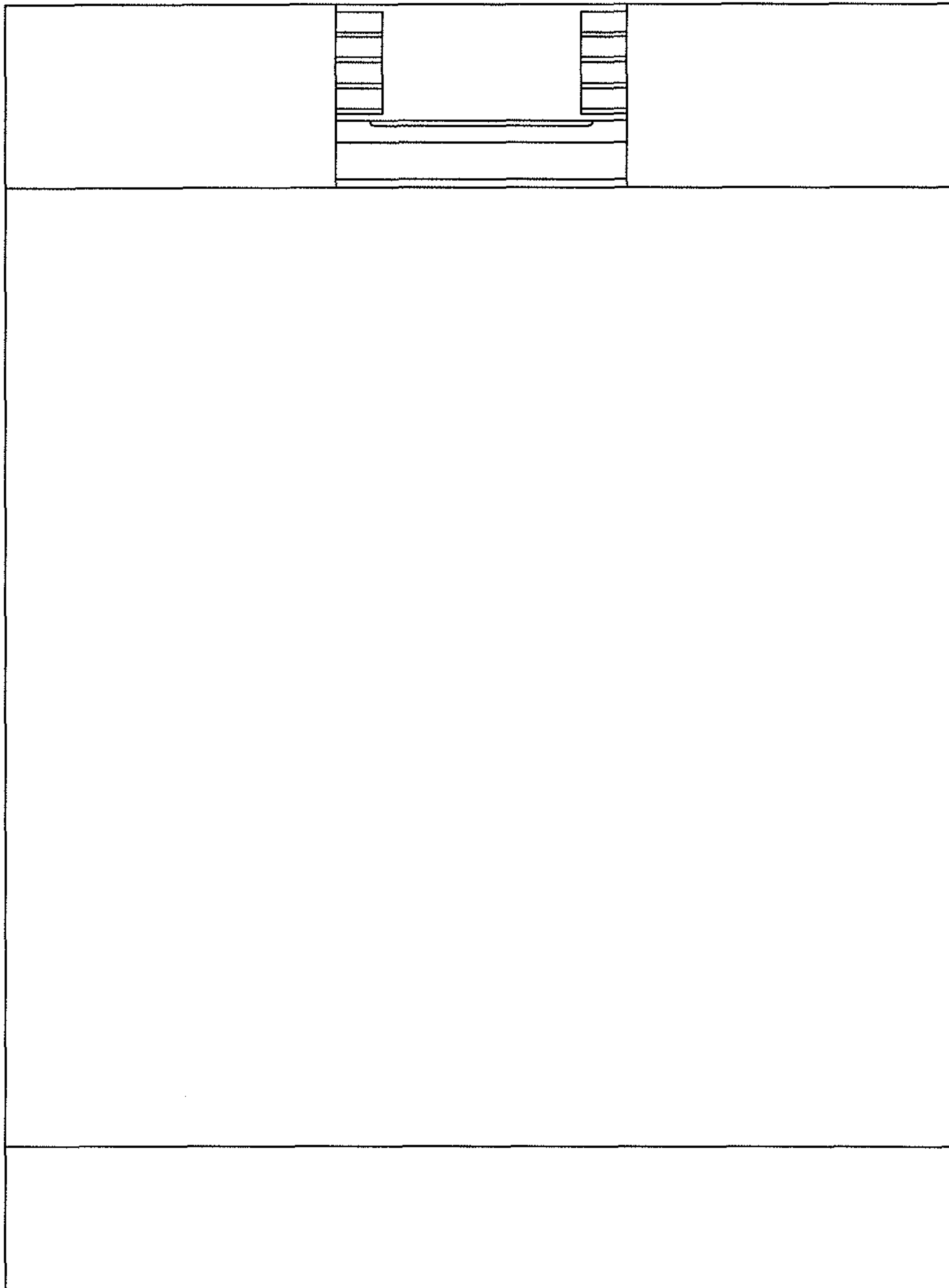


FIG. 3

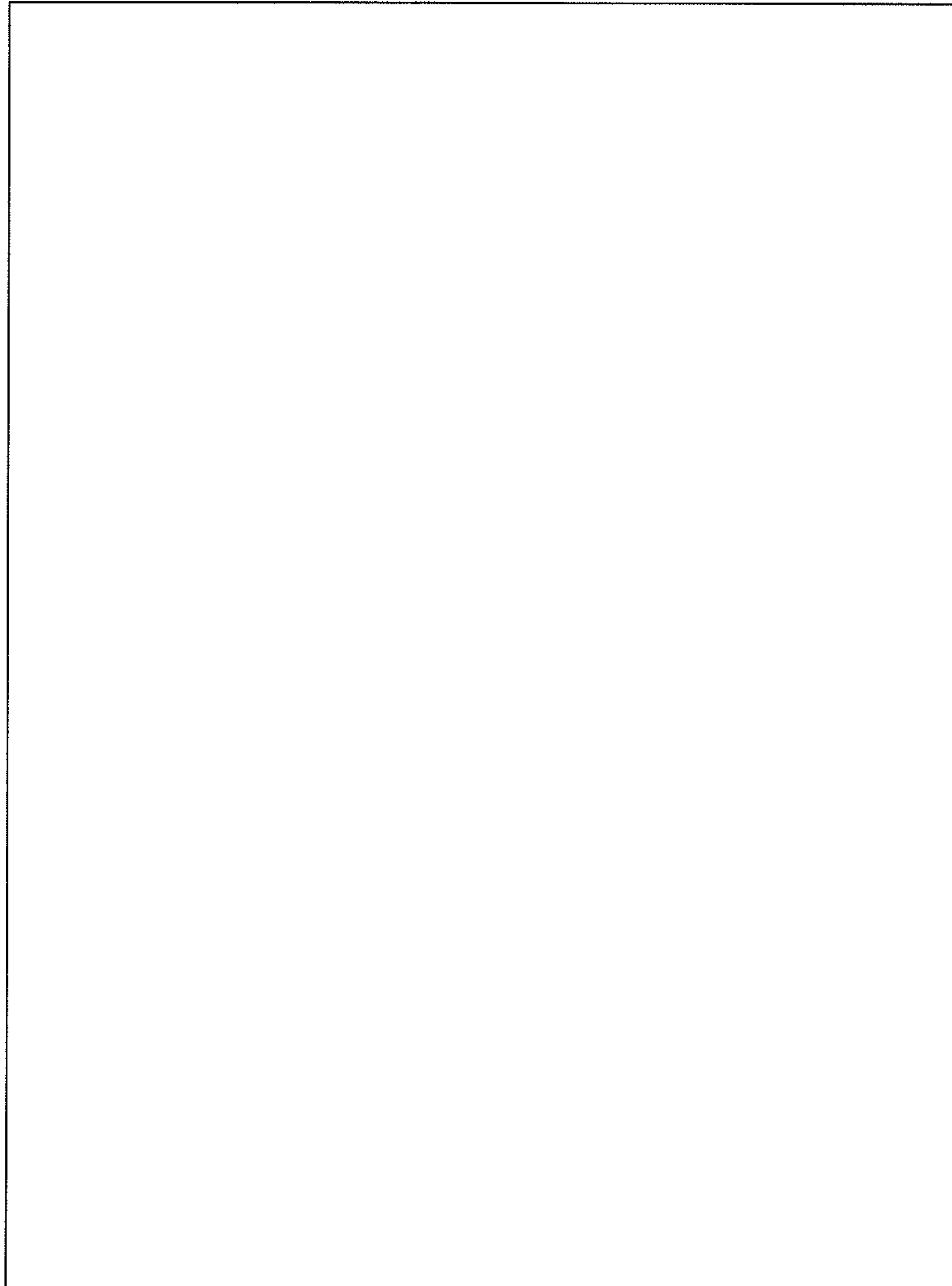


FIG. 4

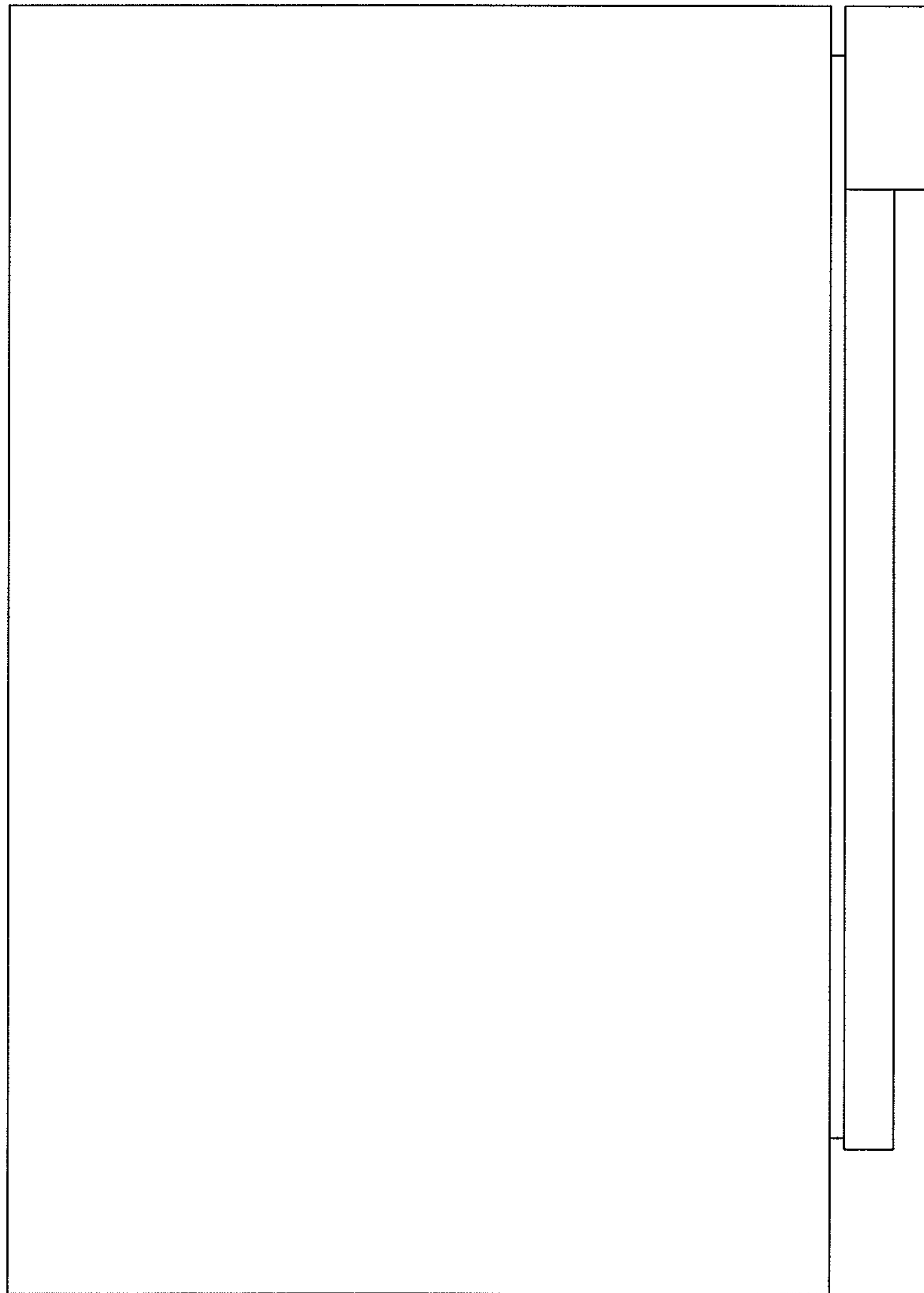


FIG. 5

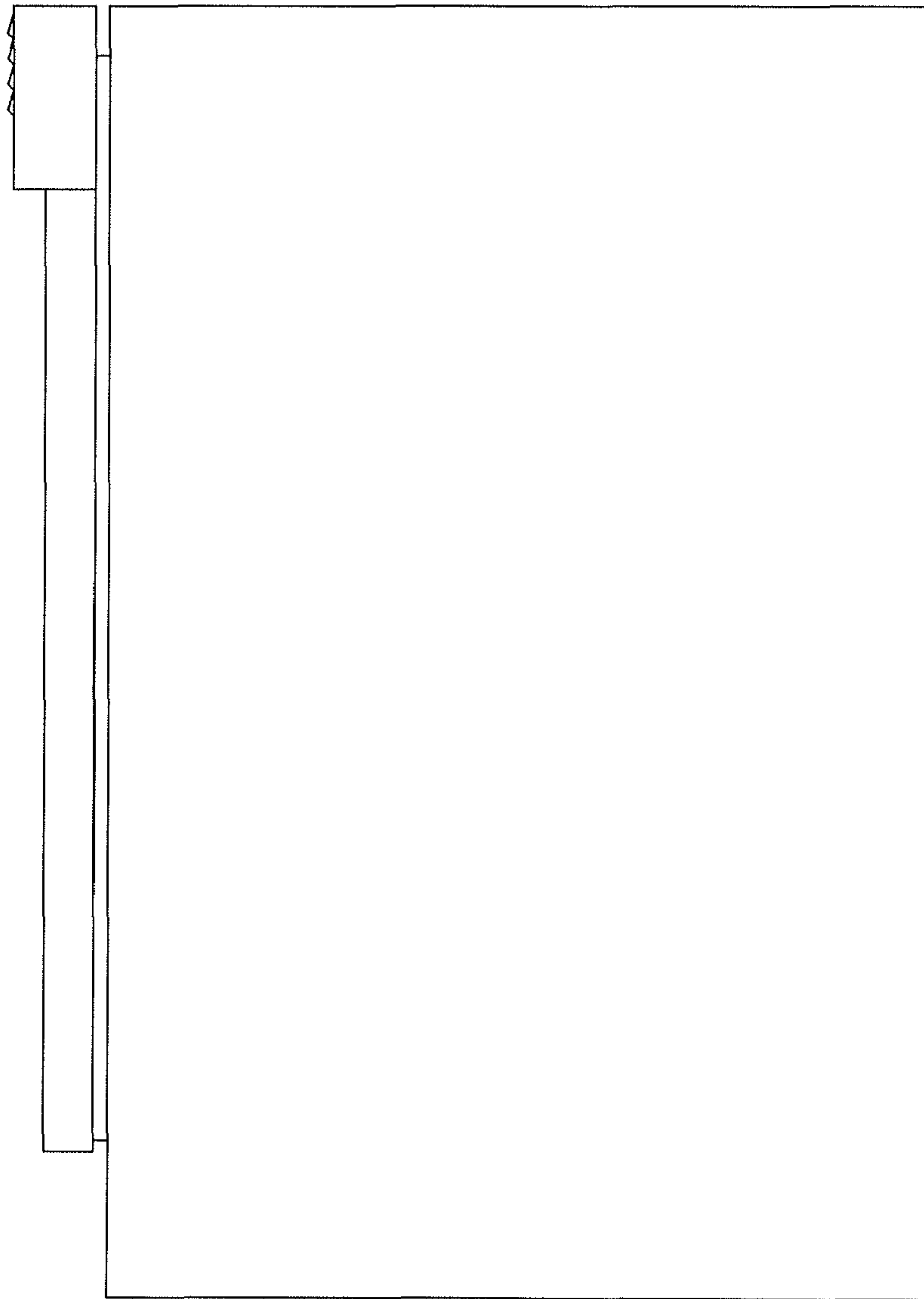


FIG. 6

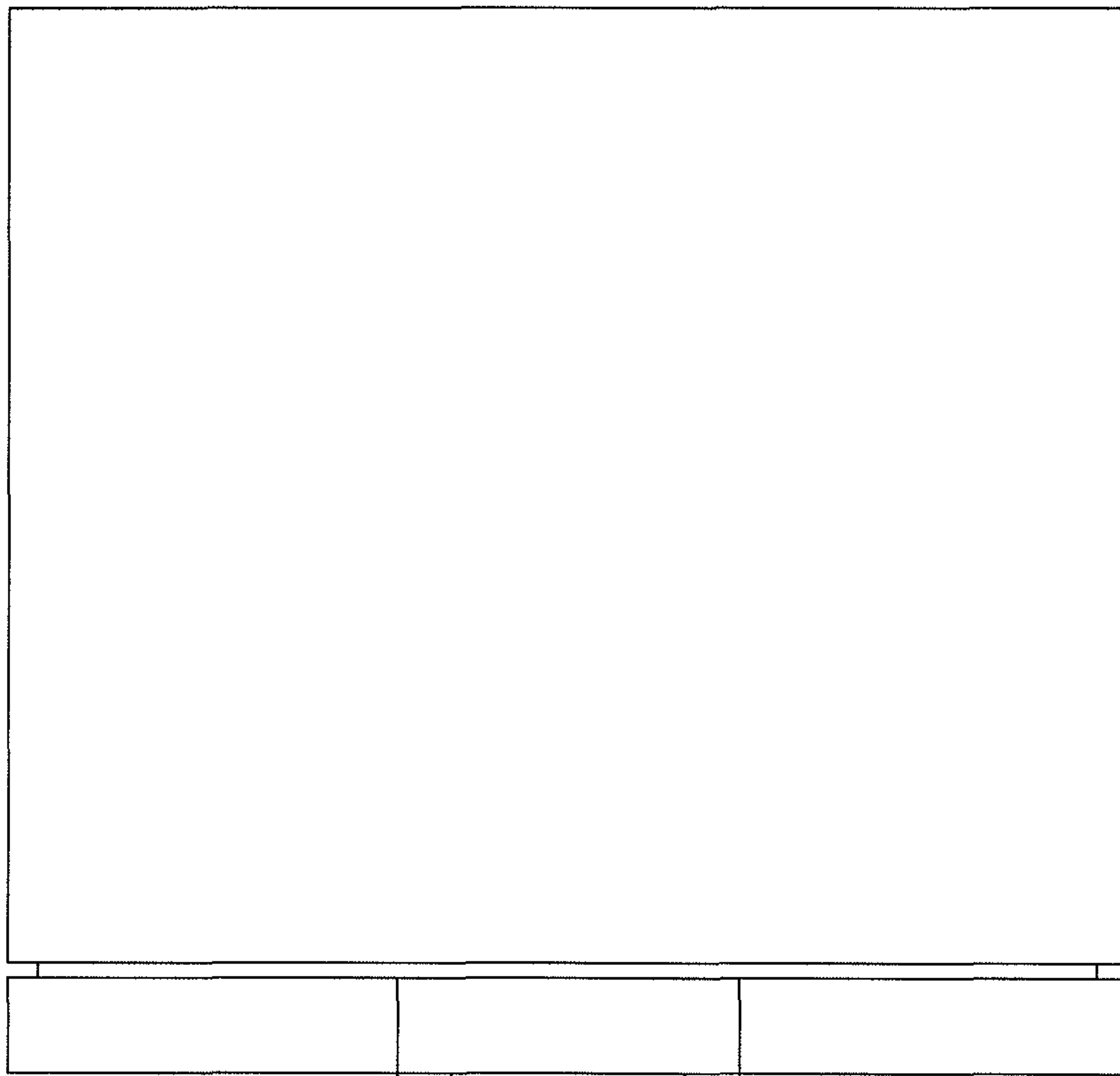


Figure 7

