



US00D682490S

(12) **United States Design Patent**  
**Goetzke et al.**

(10) **Patent No.:** **US D682,490 S**

(45) **Date of Patent:** **\*\* May 14, 2013**

(54) **SUPPORT CLEANING SYSTEM**  
(75) Inventors: **Jerome W. Goetzke**, Oakdale, MN (US);  
**Micah T. Somers**, Minneapolis, MN  
(US)

D348,920 S \* 7/1994 Shero ..... D23/202  
5,336,755 A 8/1994 Pape  
5,340,433 A 8/1994 Crump  
5,346,955 A 9/1994 Sasse et al.  
5,378,751 A 1/1995 Deibig et al.  
5,402,351 A 3/1995 Batchelder et al.

(73) Assignee: **Stratasys, Inc.**, Eden Prairie, MN (US)

(Continued)

(\*\*) Term: **14 Years**

FOREIGN PATENT DOCUMENTS

(21) Appl. No.: **29/382,577**

EP 0928316 7/1999  
WO WO-2006022528 3/2006

(22) Filed: **Jan. 5, 2011**

*Primary Examiner* — T. Chase Nelson  
*Assistant Examiner* — Kathleen M Sims

(51) **LOC (9) Cl.** ..... **15-05**

(74) *Attorney, Agent, or Firm* — Brian R. Morrison;  
Westman, Champlin & Kelly, P.A.

(52) **U.S. Cl.**  
USPC ..... **D32/1**

(58) **Field of Classification Search** ..... D32/1; 134/6,  
134/10, 18, 56 R, 57 R, 58 R, 95.2, 95.3,  
134/111, 115 R, 147, 184; 15/21.1, 50.3,  
15/53.4, 250.04, 302, 319–320

(57) **CLAIM**  
The ornamental design for a support cleaning system, as  
shown and described.

See application file for complete search history.

**DESCRIPTION**

(56) **References Cited**

Reference is hereby made to co-filed U.S. patent application  
Ser. No. 12/984,937, dated Jan. 5, 2011, and entitled "Support  
Cleaning System".

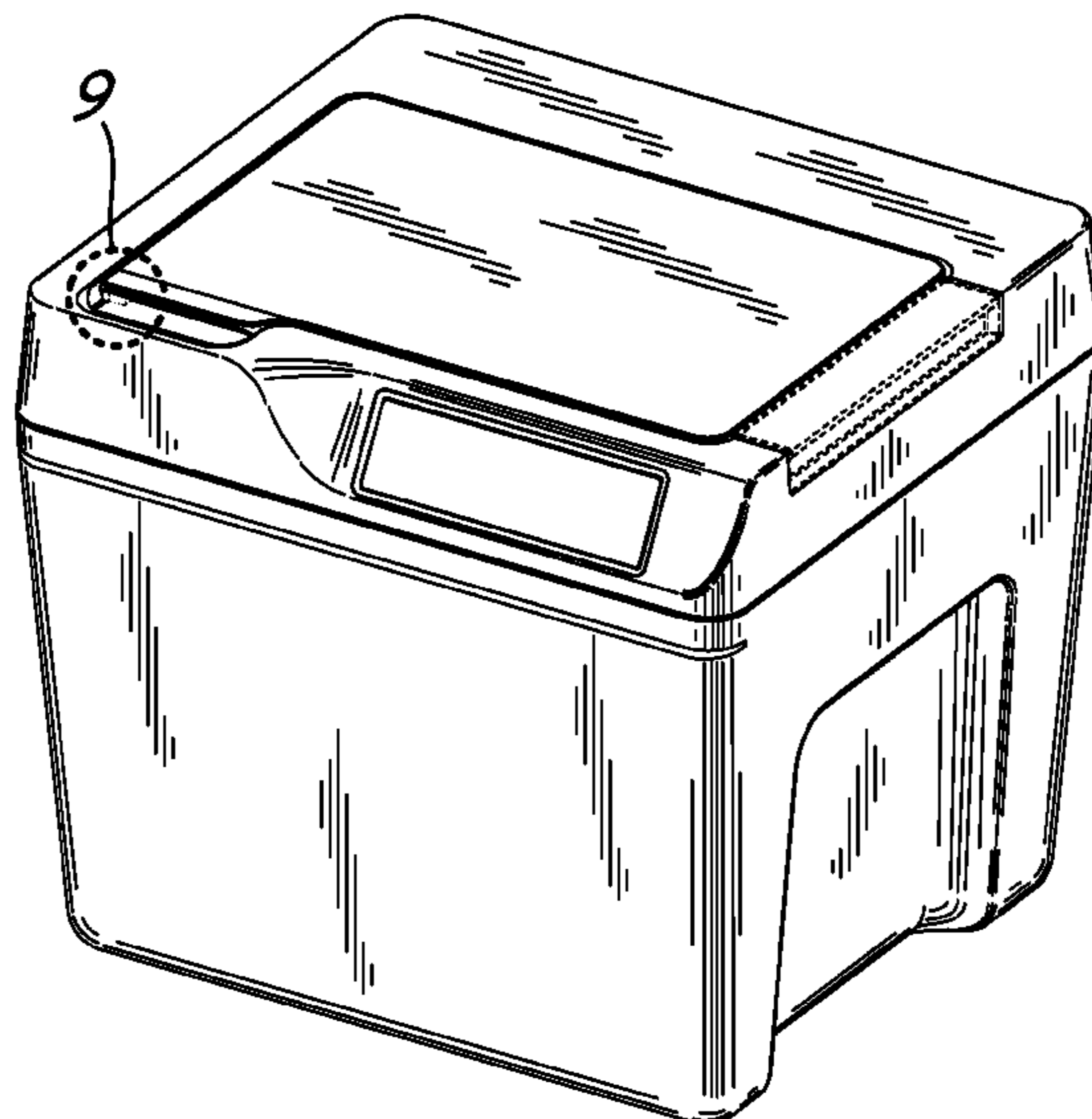
U.S. PATENT DOCUMENTS

2,653,617 A \* 9/1953 Zaber ..... 134/56 R  
2,989,756 A \* 6/1961 Gaston ..... 4/627  
3,291,458 A \* 12/1966 Hamm ..... 366/110  
3,320,963 A \* 5/1967 Walker ..... 134/57 R  
4,397,986 A 8/1983 Hombaker  
4,551,369 A 11/1985 Belz  
4,671,982 A 6/1987 Belz  
4,870,148 A 9/1989 Belz et al.  
4,886,856 A 12/1989 Chen et al.  
D306,223 S \* 2/1990 Muirhead et al. .... D32/1  
D314,646 S \* 2/1991 Brookman ..... D32/1  
4,995,409 A \* 2/1991 Watts ..... 134/58 R  
5,121,329 A 6/1992 Crump  
5,303,141 A 4/1994 Batchelder et al.  
5,317,043 A 5/1994 Gass  
5,318,056 A \* 6/1994 Kusz et al. .... 134/95.3  
5,322,078 A 6/1994 Tuttle ..... 134/104.4  
5,322,878 A 6/1994 Deibig et al.

FIG. 1 is a top front perspective view of a support cleaning  
system;  
FIG. 2 is a top rear perspective view thereof;  
FIG. 3 is a front view thereof;  
FIG. 4 is a rear view thereof;  
FIG. 5 is a right side view thereof;  
FIG. 6 is a left side view thereof;  
FIG. 7 is a top view thereof;  
FIG. 8 is a bottom view thereof; and,  
FIG. 9 is an enlarged view of a detail of FIG. 1.

The broken line showing of details in the Figures are included  
for the purpose of showing environmental portions of the  
support cleaning system and forms no part of the claimed  
design.

**1 Claim, 9 Drawing Sheets**

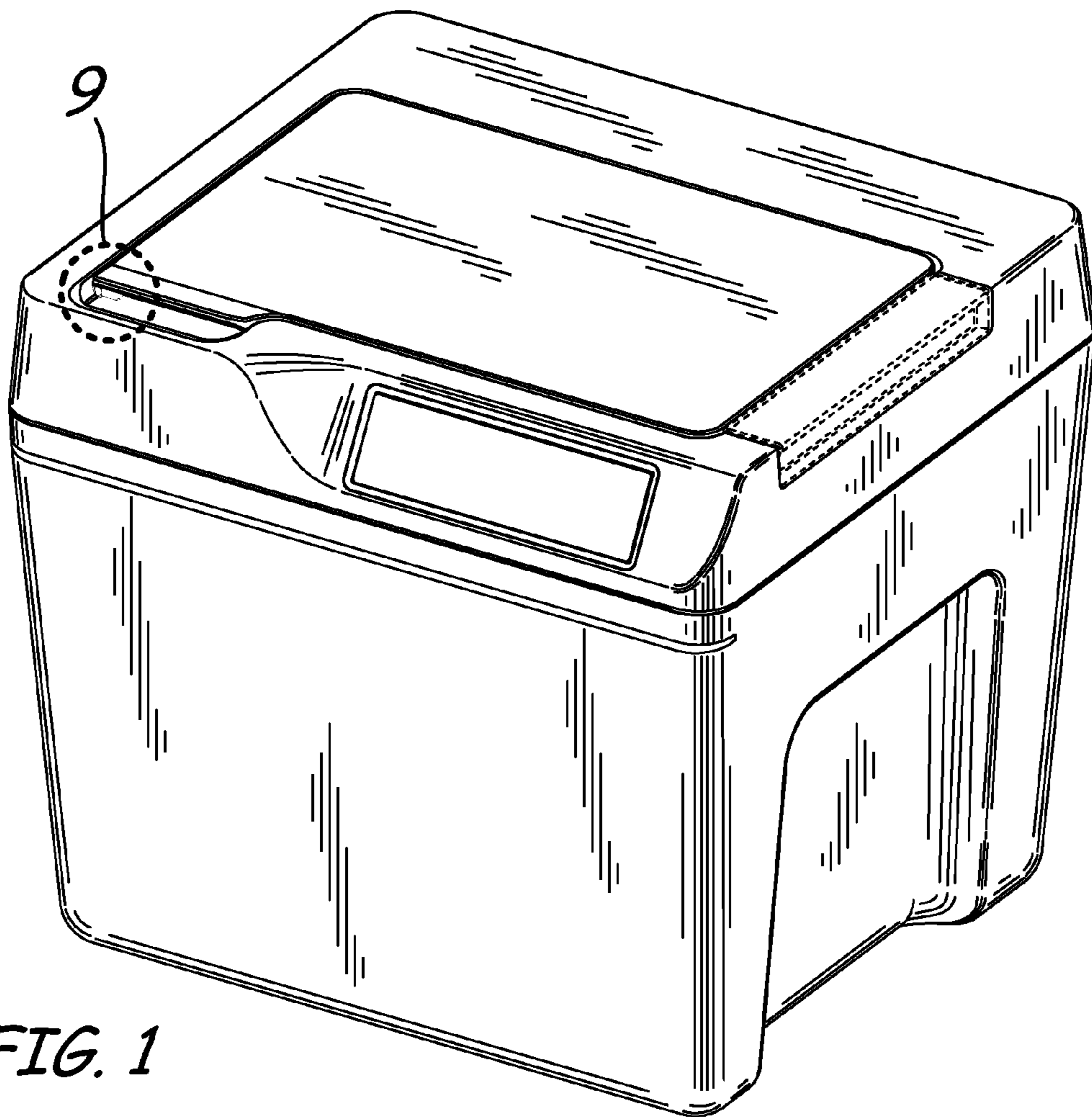


# US D682,490 S

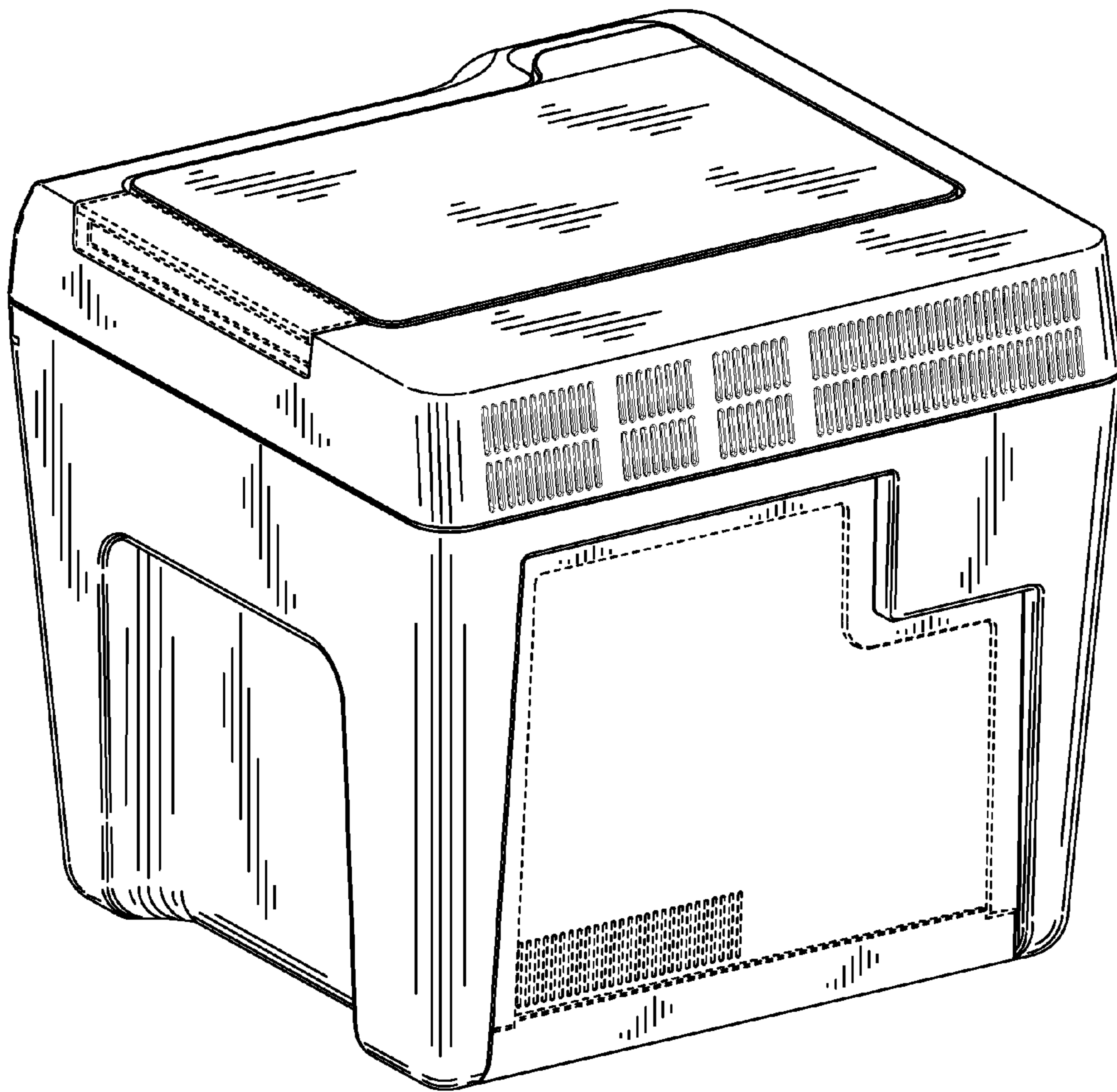
Page 2

U.S. PATENT DOCUMENTS							
5,474,719	A	12/1995	Fan et al.	6,814,907	B1	11/2004	Comb
5,503,785	A	4/1996	Crump et al.	6,907,307	B2	6/2005	Chen et al.
D370,096	S *	5/1996	Niemela et al. .... D32/1	6,923,634	B2	8/2005	Swanson et al.
5,653,925	A	8/1997	Batchelder	7,077,638	B2	7/2006	Leyden et al.
5,695,707	A	12/1997	Almquist et al.	D575,911	S *	8/2008	Greenidge et al. .... D32/1
5,764,521	A	6/1998	Batchelder et al.	7,648,609	B2	1/2010	Leder et al.
5,863,885	A	1/1999	Ruggieri et al.	7,875,127	B2 *	1/2011	Porter et al. .... 134/115 R
5,866,058	A	2/1999	Batchelder et al.	8,016,946	B2 *	9/2011	Porter et al. .... 134/10
5,939,008	A	8/1999	Comb et al.	2003/0090752	A1	5/2003	Rosenberger et al.
D414,904	S *	10/1999	Knowlton ..... D32/1	2004/0222561	A1	11/2004	Hopkins
6,022,207	A	2/2000	Dahlin et al.	2005/0004282	A1	1/2005	Priedeman, Jr. et al.
6,067,480	A	5/2000	Stuffle et al.	2005/0103360	A1	5/2005	Tafoya
6,070,107	A	5/2000	Lombardi et al.	2005/0129941	A1	6/2005	Comb et al.
6,129,872	A	10/2000	Jang	2005/0133155	A1	6/2005	Leder et al.
6,165,406	A	12/2000	Jang et al.	2005/0173838	A1	8/2005	Priedeman, Jr. et al.
6,175,422	B1	1/2001	Penn et al.	2007/0003656	A1	1/2007	LaBossiere et al.
6,228,923	B1	5/2001	Lombardi et al.	2007/0228590	A1	10/2007	LaBossiere et al.
6,398,495	B1	6/2002	Kazianus ..... 415/206	2008/0213419	A1	9/2008	Skubic et al.
6,572,807	B1	6/2003	Fong	2009/0035405	A1	2/2009	Leavitt
6,645,412	B2	11/2003	Priedeman, Jr. et al.	2009/0283119	A1 *	11/2009	Moussa et al. .... 134/57 R
6,722,872	B1	4/2004	Swanson et al.	2012/0067369	A1 *	3/2012	Currell et al. .... 134/6
6,790,403	B1	9/2004	Priedeman, Jr. et al.				

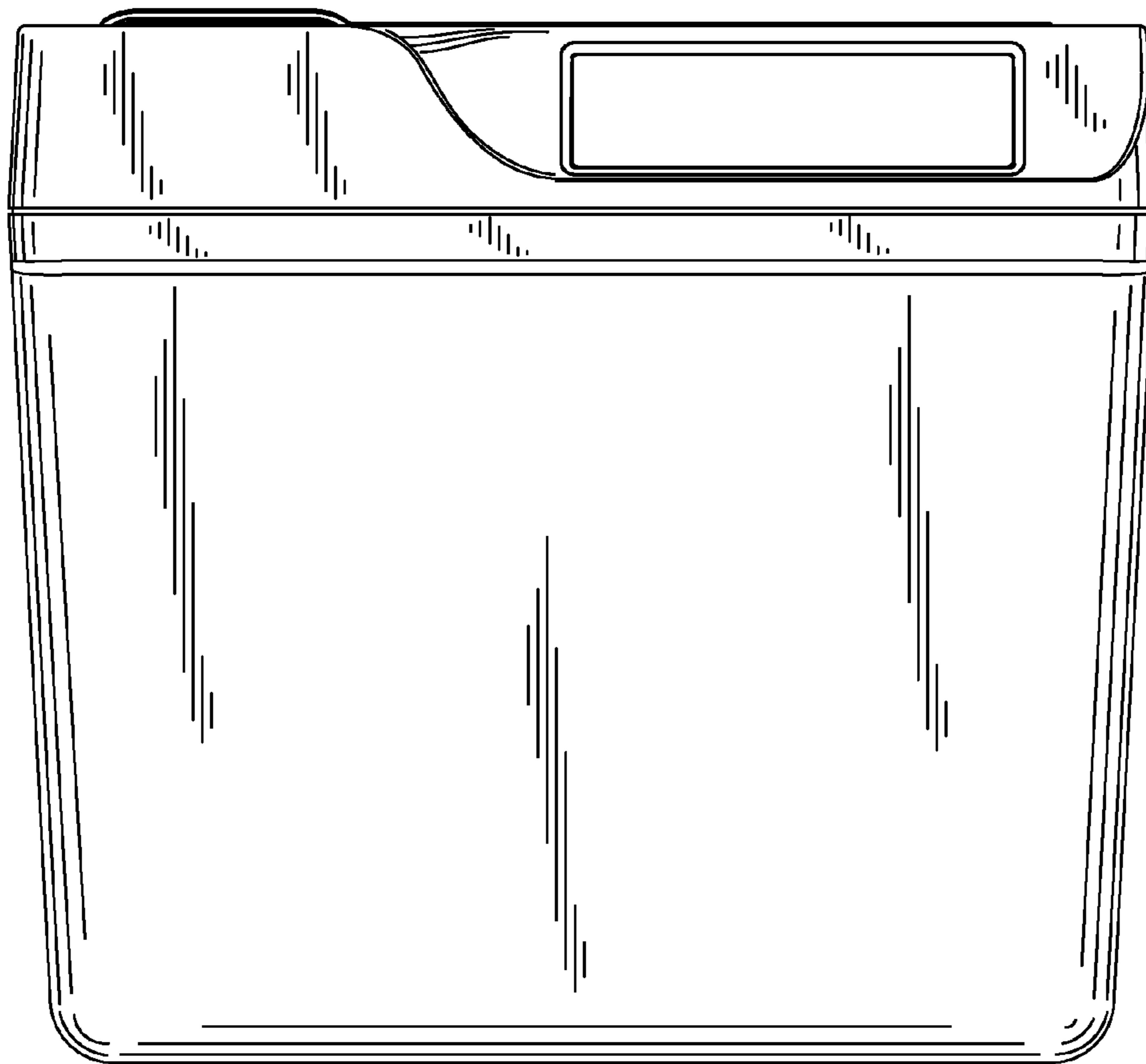
\* cited by examiner



*FIG. 1*



*FIG. 2*



*FIG. 3*

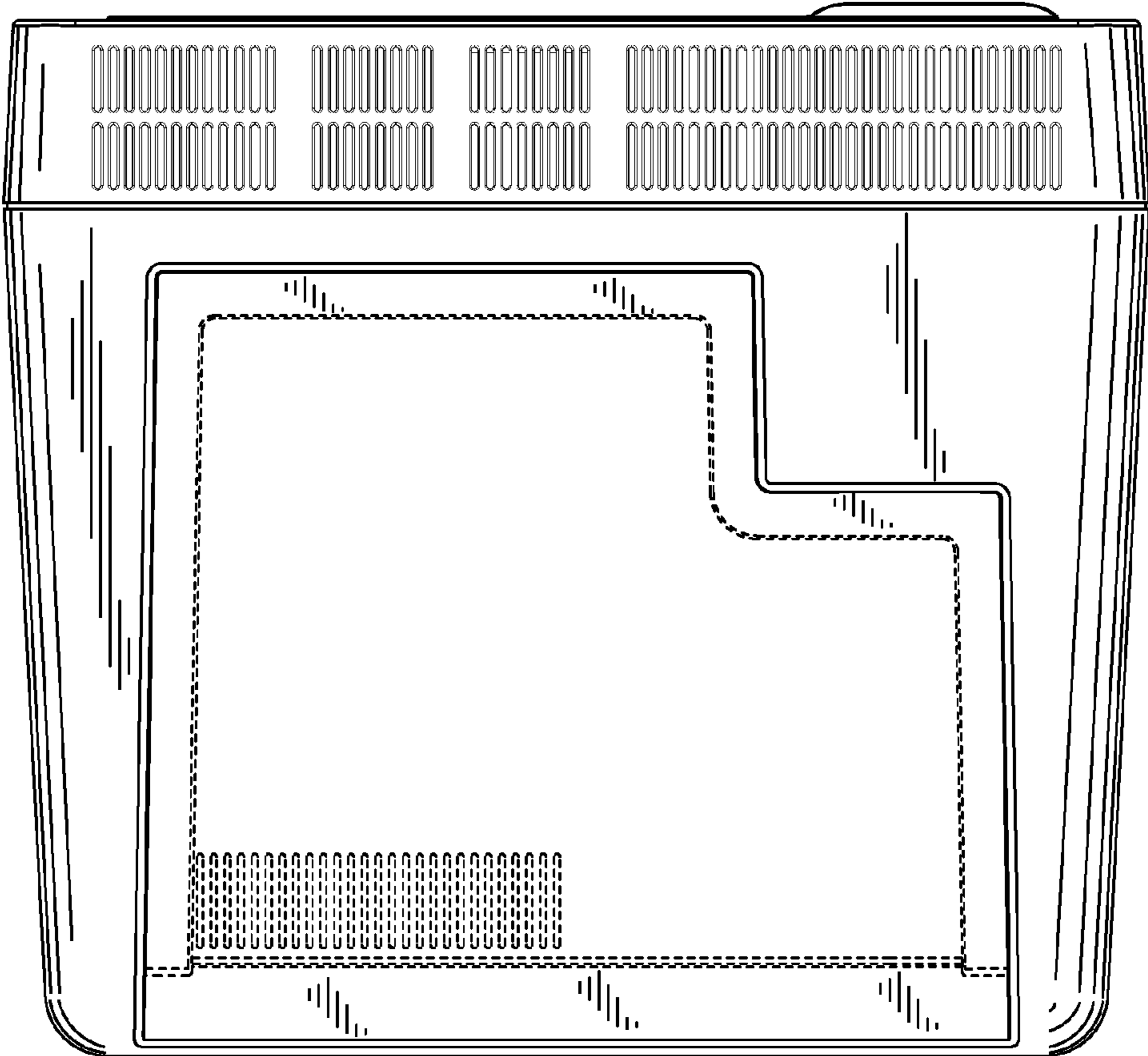
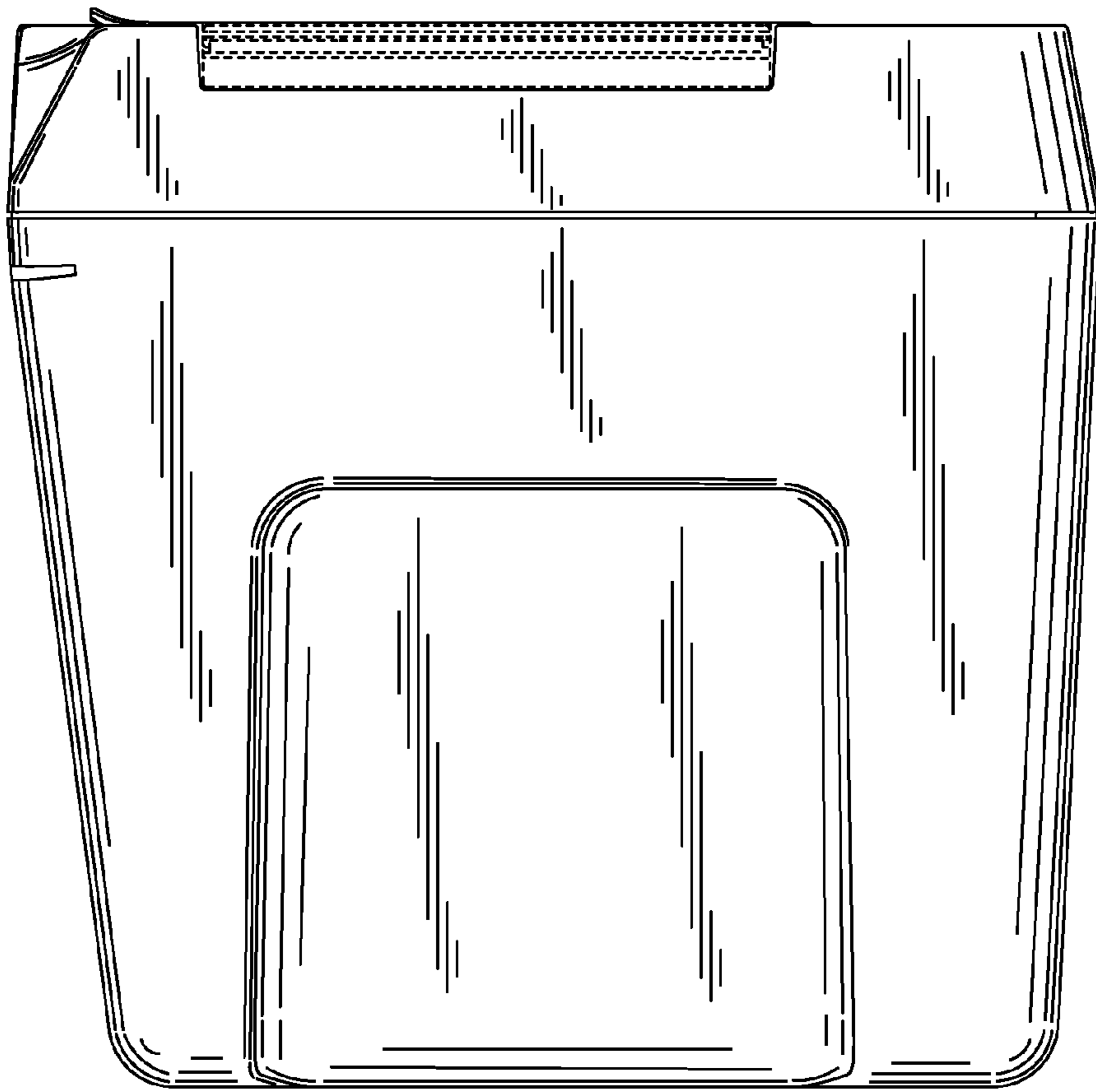
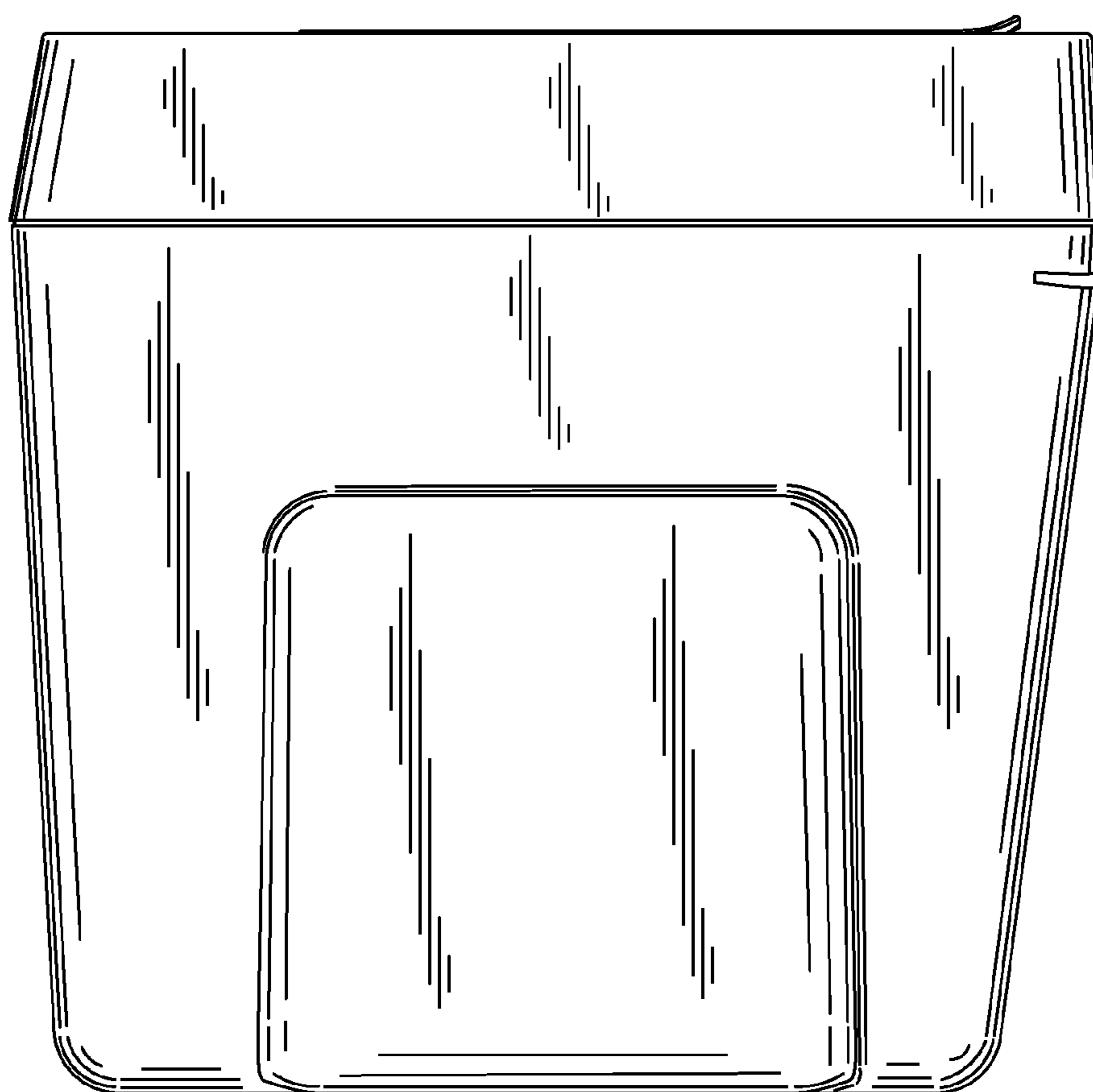


FIG. 4

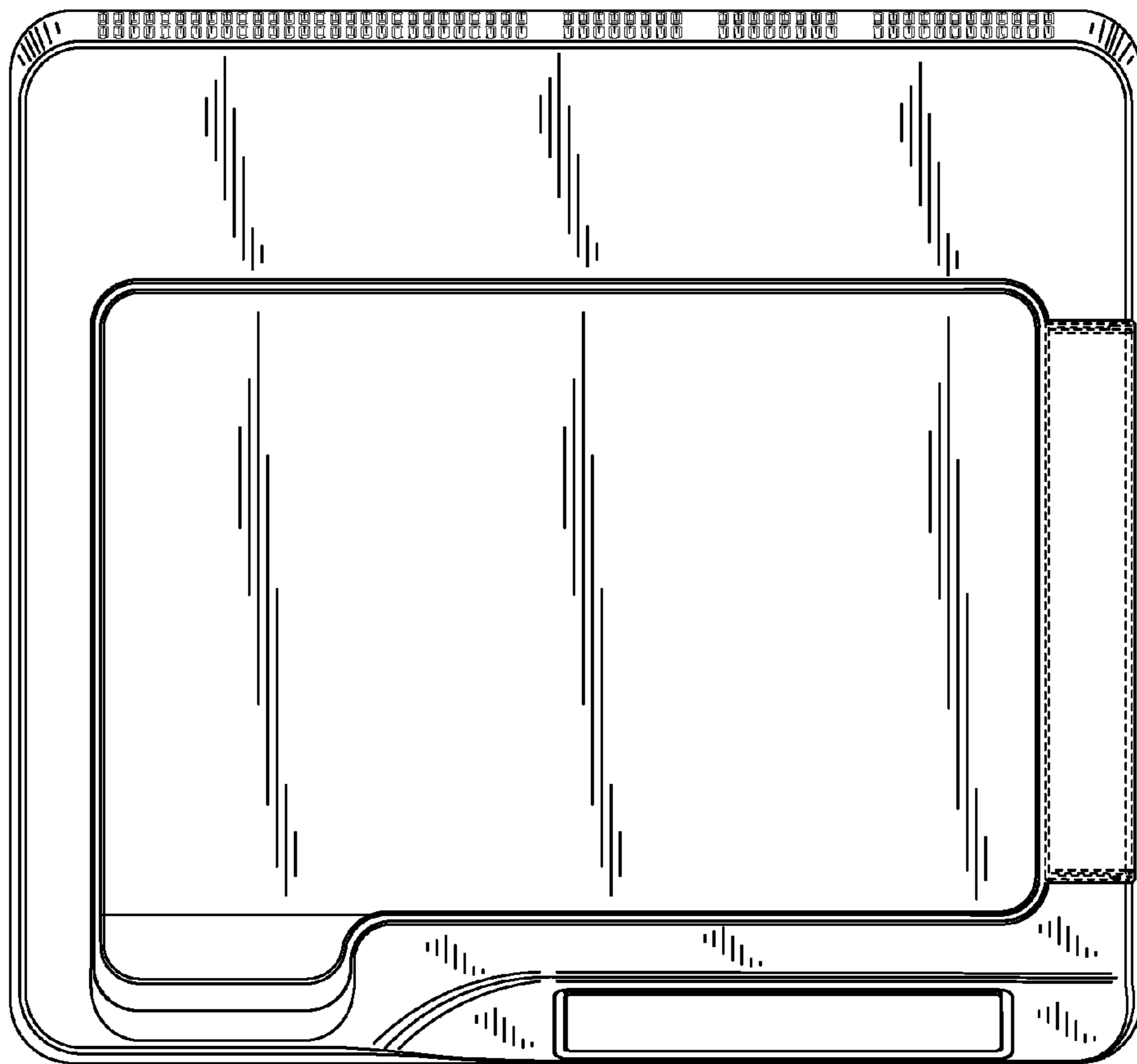


*FIG. 5*

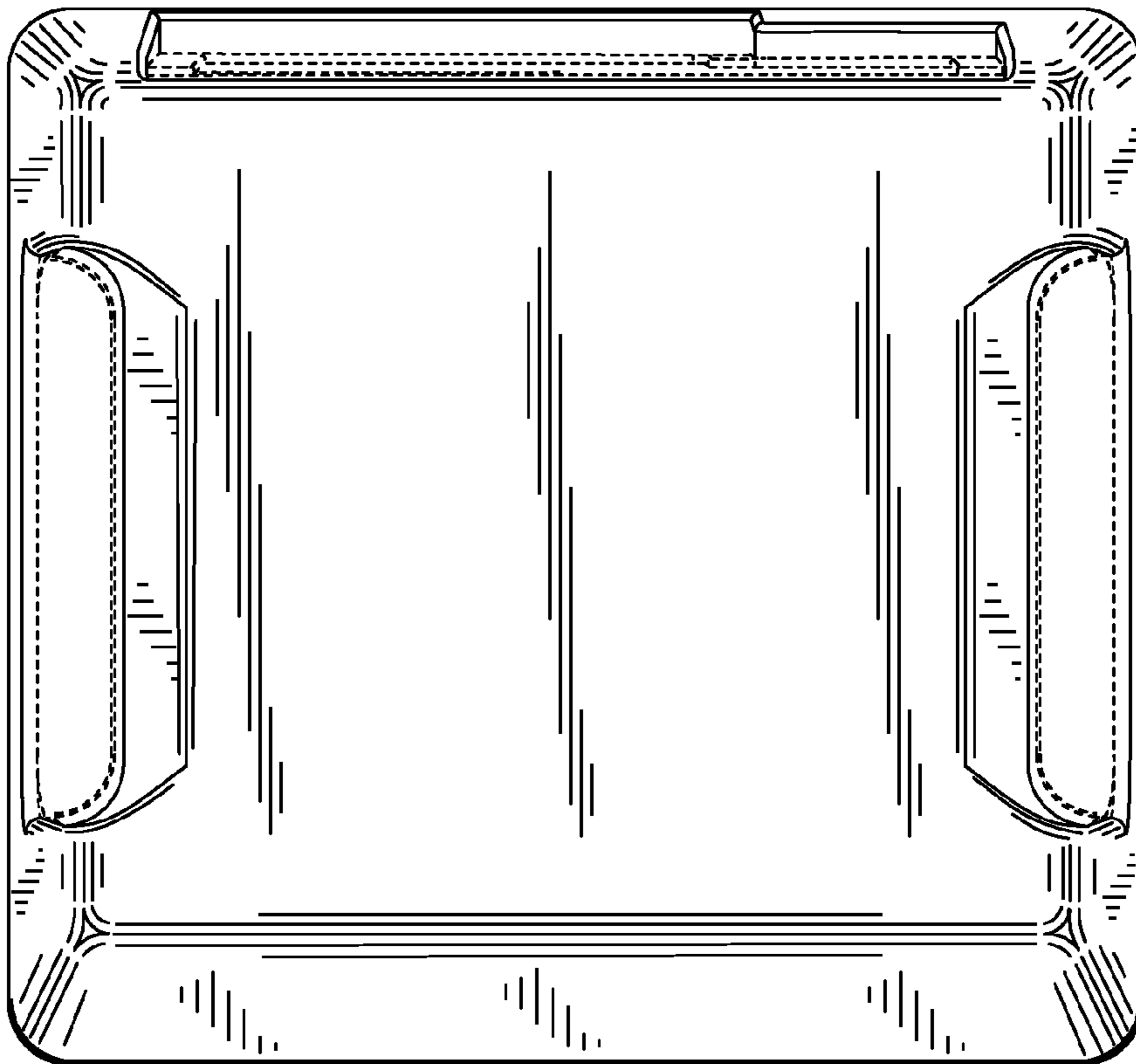


*FIG. 6*

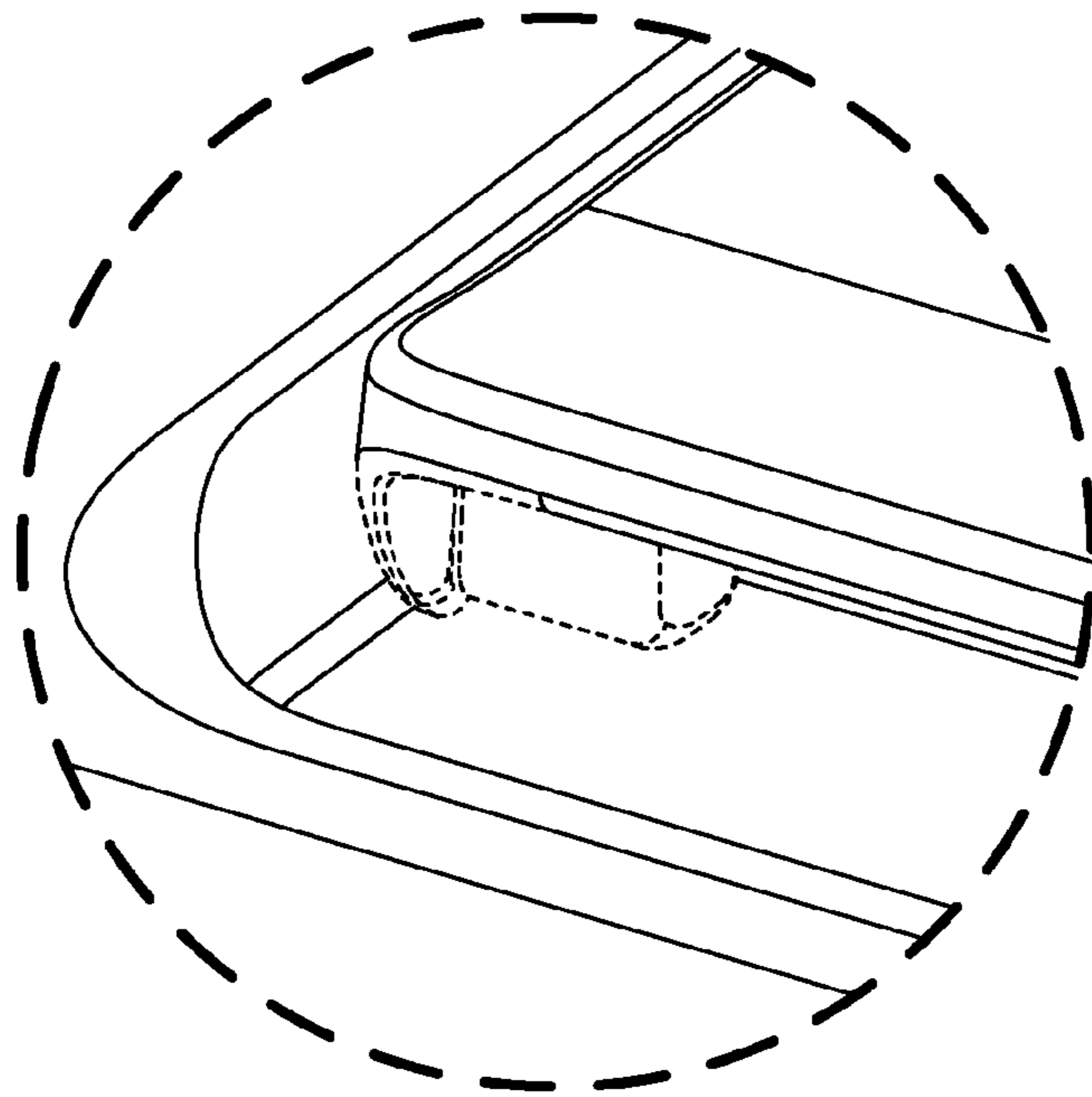




*FIG. 7*



*FIG. 8*



*FIG. 9*