



US00D682489S

(12) **United States Design Patent**
Kalbach

(10) **Patent No.:** **US D682,489 S**

(45) **Date of Patent:** **** May 14, 2013**

- (54) **LEASH**
- (75) Inventor: **Edward Van Lee Kalbach**, Nibley, UT (US)
- (73) Assignee: **EK Ekcessories, Inc.**, Logan, UT (US)
- (**) Term: **14 Years**
- (21) Appl. No.: **29/402,515**
- (22) Filed: **Sep. 23, 2011**
- (51) **LOC (9) Cl.** **30-04**
- (52) **U.S. Cl.**
USPC **D30/153; D30/152**
- (58) **Field of Classification Search** 318/257;
D30/154, 160, 151, 199, 153, 152; 119/707-712,
119/786-788, 791, 780, 782, 769-771, 792-799,
119/758, 760, 784, 802, 856, 857, 863, 865,
119/719, 859, 908, 776; D21/791, 840; D8/1,
D8/14, 47; 248/121, 521, 545, 499, 145,
248/156, 508, 530, 125.1, 125.3, 125.8, 690;
211/205; 52/155, 166, 157, 162, 163; 135/118;
403/360, 378; 473/149, 147; D26/138; 362/401;
410/101; 405/259.1, 244; 182/3; 24/523,
24/525, 299, 594.11, DIG. 35, 3.2, 600.7,
24/905; D24/199; 54/71, 34; 267/113, 136,
267/34, 70-72; 16/66; 340/573.3, 668; 294/82.34,
294/19.1; 114/221 R; 441/75; 128/878,
128/882, DIG. 15; D29/120.1-120.2
See application file for complete search history.

(56) **References Cited**

U.S. PATENT DOCUMENTS

- 245,979 A * 8/1881 Sloat 40/303
- 452,830 A 5/1891 Bowie et al.
- D21,338 S * 2/1892 McIntosh D20/28
- 652,891 A 7/1900 Cochran

- 870,784 A * 11/1907 Huff 119/794
- D40,569 S * 3/1910 Anderson D30/138
- 1,077,025 A * 10/1913 Whitehead 63/18
- 1,270,207 A 6/1918 Preston
- 1,455,715 A * 5/1923 Danese 242/378.3
- 1,509,781 A 9/1924 Roth
- 1,819,738 A 8/1931 Daniel
- D110,092 S * 6/1938 Kestenman D11/3
- 2,222,409 A * 11/1940 Gottlieb 242/377
- D124,073 S * 12/1940 Gottlieb D30/153
- 2,232,580 A * 2/1941 Wickemeyer 191/12.4
- 2,250,171 A * 7/1941 Wilkins 242/377
- D128,606 S * 8/1941 Stickell D30/153
- 2,314,504 A * 3/1943 Lifchultz 242/379.2
- D143,821 S * 2/1946 Holmsky D11/3
- 2,449,464 A * 9/1948 Eypper 242/388.1

(Continued)

OTHER PUBLICATIONS

EK Ekcessories, Inc. Product Catalog Aug. 1993, pp. 16 and 17.

(Continued)

Primary Examiner — Susan Moon Lee

(74) *Attorney, Agent, or Firm* — TraskBritt, P.C.

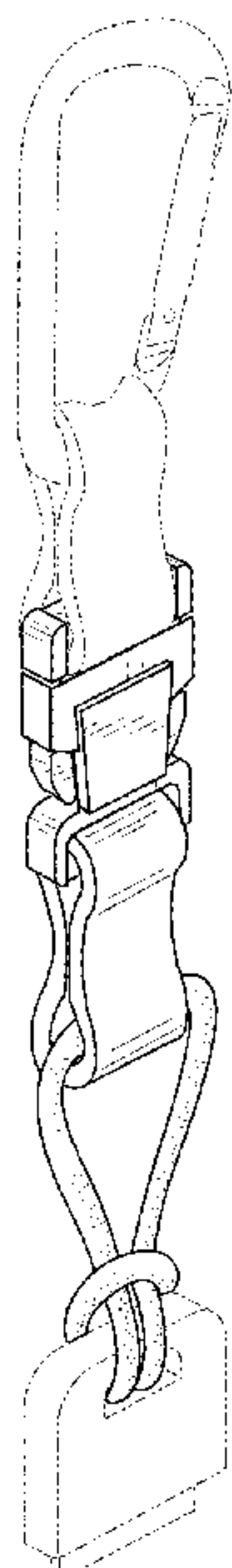
(57) **CLAIM**

The ornamental designs for a leash, as shown and described.

DESCRIPTION

FIG. 1 is a perspective view of a leash showing my new design;
 FIG. 2 is a front view of the leash shown in FIG. 1;
 FIG. 3 is a rear view of the leash shown in FIG. 1;
 FIG. 4 is a first side view of the leash shown in FIG. 1; and,
 FIG. 5 is a second side view of the leash shown in FIG. 1.
 Broken lines and portions contained within broken lines are not claimed.

1 Claim, 3 Drawing Sheets



US D682,489 S

Page 2

U.S. PATENT DOCUMENTS						
2,481,946	A	9/1949	Pendleton			
2,521,226	A *	9/1950	Keller	242/395		
2,539,922	A	1/1951	Nyberg			
D163,987	S *	7/1951	Barre	D10/38		
2,572,889	A	10/1951	Strykower			
2,616,394	A *	11/1952	Elsinger	119/864		
2,660,092	A	11/1953	Bloom			
2,704,961	A	3/1955	Weil			
2,732,148	A *	1/1956	Lummis	242/379.2		
2,737,154	A *	3/1956	Michonski	119/798		
2,775,804	A	1/1957	Ayoub			
2,776,644	A *	1/1957	Fontaine	119/796		
2,783,926	A	3/1957	Wise			
2,799,245	A *	7/1957	Ruggiero et al.	119/794		
2,833,250	A *	5/1958	Beebe	119/794		
2,840,878	A *	7/1958	Olson	24/615		
2,889,807	A *	6/1959	Beebe	119/794		
2,919,676	A *	1/1960	Schneider	119/796		
2,947,456	A	8/1960	Seron			
2,976,629	A *	3/1961	Lubis et al.	40/310		
3,185,299	A *	5/1965	Trainer	206/63.3		
3,198,175	A *	8/1965	Dean	119/796		
3,315,642	A *	4/1967	Rogers et al.	119/796		
3,318,288	A *	5/1967	Mullritter	119/796		
D208,041	S *	7/1967	Kay	D22/140		
D209,566	S *	12/1967	Jantzen	D11/216		
3,376,973	A *	4/1968	Granowitz et al.	206/63.3		
3,397,026	A	8/1968	Spina			
3,450,467	A	6/1969	Phillips			
D216,075	S	11/1969	D'Elia et al.			
3,477,410	A *	11/1969	Lettieri	119/794		
3,481,690	A *	12/1969	Edgworth	206/403		
3,495,703	A *	2/1970	Calabrese	206/63.3		
3,528,644	A *	9/1970	Scott	254/134.3 R		
3,547,323	A *	12/1970	Sledge, Jr. et al.	224/162		
3,568,947	A *	3/1971	Oprins	242/405.2		
D222,150	S	10/1971	McCarty			
3,747,171	A *	7/1973	Montague, Jr.	24/265 WS		
3,752,127	A *	8/1973	Baker	119/797		
3,776,198	A *	12/1973	Gehrke	119/794		
3,808,382	A *	4/1974	Blanch et al.	191/12.2 R		
3,874,776	A	4/1975	Seron			
3,879,804	A	4/1975	Lawrence			
3,882,617	A *	5/1975	Gagner	40/640		
D237,845	S	12/1975	Saji			
3,927,808	A	12/1975	Steen			
4,018,189	A *	4/1977	Umphries et al.	119/794		
D245,728	S	9/1977	Rials			
4,049,357	A *	9/1977	Hamisch, Jr.	403/209		
D247,345	S *	2/1978	Mulholland	D8/383		
D248,057	S *	5/1978	Heimler et al.	D3/229		
4,100,996	A *	7/1978	Sharp	182/3		
4,133,604	A	1/1979	Fuller			
4,156,574	A	5/1979	Boden			
4,165,713	A *	8/1979	Brawner et al.	119/794		
D252,931	S *	9/1979	Tamarin	D16/243		
4,171,555	A	10/1979	Bakker et al.			
4,197,817	A *	4/1980	Crutchfield	119/794		
4,200,249	A *	4/1980	Synsteliën et al.	242/396.5		
D258,243	S *	2/1981	Barbero et al.	D30/153		
D260,073	S *	8/1981	Wells	D8/358		
4,300,665	A *	11/1981	Arechaga	191/12.4		
4,322,045	A *	3/1982	Tellier	242/388.1		
D263,764	S *	4/1982	McBride, II	D30/155		
4,328,767	A *	5/1982	Peterson	119/794		
D265,638	S	8/1982	Barr			
D265,972	S *	8/1982	Black	D24/145		
4,361,934	A *	12/1982	Darnell	24/3.12		
4,384,688	A *	5/1983	Smith	242/378.2		
4,413,589	A *	11/1983	Bielen et al.	119/792		
D273,440	S	4/1984	Fulwiler			
D275,263	S *	8/1984	Cutler	D8/358		
D275,266	S *	8/1984	Kawahara	D8/383		
D278,369	S	4/1985	Pringle et al.			
D279,036	S *	5/1985	Ludwig	D30/142		
4,531,310	A *	7/1985	Acson et al.	40/1.5		
D280,256	S *	8/1985	Miller	D3/229		
4,541,696	A	9/1985	Winger et al.			
4,562,792	A *	1/1986	Pak et al.	119/797		
D285,865	S	9/1986	Gamble			
D287,949	S *	1/1987	Bulgari	D11/6		
4,657,364	A	4/1987	Murrell			
D290,964	S *	7/1987	Kalbach	D16/338		
4,680,882	A *	7/1987	Watson, Jr.	40/5		
D291,894	S	9/1987	Weisenfeld et al.			
4,696,556	A	9/1987	Perry, III			
D292,543	S	11/1987	Smith			
D292,750	S	11/1987	Smith			
4,713,497	A *	12/1987	Smith	191/12.2 R		
D300,474	S *	3/1989	Caulder et al.	D29/101.1		
4,898,532	A *	2/1990	Bercik	431/253		
D306,798	S *	3/1990	McVey	D3/215		
D309,373	S *	7/1990	Appelbaum	D3/207		
D309,619	S	7/1990	Kalbach			
D310,305	S	9/1990	Scognamillo et al.			
D310,448	S	9/1990	Scognamillo et al.			
4,964,370	A *	10/1990	Peterson	119/794		
D313,165	S *	12/1990	Kovacik et al.	D8/358		
D313,166	S *	12/1990	Kovacik et al.	D8/358		
D313,167	S *	12/1990	Kovacik et al.	D8/358		
4,976,531	A	12/1990	Kahaney			
4,977,860	A *	12/1990	Harwell	119/794		
4,978,210	A	12/1990	Lundbeck			
5,002,381	A	3/1991	Murrell			
5,015,085	A	5/1991	May			
5,027,477	A	7/1991	Seron			
D319,347	S *	8/1991	VanLandingham et al.	D3/210		
D320,367	S *	10/1991	Kalbach	D11/221		
5,086,988	A *	2/1992	LaPoint et al.	242/395		
5,092,668	A	3/1992	Welch et al.			
5,101,082	A *	3/1992	Simmons et al.	191/12.2 R		
D328,186	S	7/1992	Hanke			
D328,908	S	8/1992	Kalbach			
5,151,778	A	9/1992	Conley			
5,157,425	A	10/1992	Liu			
D333,401	S *	2/1993	Brown et al.	D6/515		
5,186,406	A *	2/1993	Romanelli	242/373		
D335,263	S *	5/1993	Willis	D11/3		
5,215,237	A	6/1993	Wu			
D337,866	S *	7/1993	Wiens	D30/153		
RE34,351	E *	8/1993	Lacey	119/776		
5,241,593	A *	8/1993	Wagner	379/438		
D343,319	S *	1/1994	Phillips	D6/515		
D349,189	S *	8/1994	Hong	D3/208		
D352,928	S *	11/1994	Ford	D13/120		
5,367,987	A *	11/1994	Lin	119/858		
5,369,452	A	11/1994	Williams			
D354,759	S	1/1995	Wolff			
D354,760	S	1/1995	Wolff			
D355,889	S *	2/1995	Salvati et al.	D13/139.7		
D358,251	S *	5/1995	Bettis	D3/208		
5,414,903	A	5/1995	Porteous			
5,423,494	A *	6/1995	Kondo	242/381.5		
D365,236	S *	12/1995	Stockwell	D6/552		
D366,007	S *	1/1996	Colpo	D11/87		
D366,149	S *	1/1996	Garza et al.	D3/328		
D367,245	S *	2/1996	Triplett et al.	D11/216		
D367,949	S *	3/1996	Vallance	D29/100		
D371,154	S *	6/1996	Kalbach	D16/339		
5,533,656	A *	7/1996	Bonaldi	224/667		
5,537,725	A *	7/1996	Takahashi	24/615		
5,575,042	A	11/1996	Kalbach			
5,582,337	A	12/1996	McPherson et al.			
D377,118	S *	1/1997	Carbone et al.	D3/228		
D377,562	S	1/1997	Wolfram			
D378,071	S *	2/1997	Kincman, Sr.	D11/221		
D382,503	S	8/1997	Kalbach			
D382,704	S *	8/1997	Petruzzi	D3/207		
5,654,787	A	8/1997	Barison			
D383,993	S *	9/1997	Kalbach	D11/3		
5,666,909	A *	9/1997	Dupre	119/797		
5,669,119	A *	9/1997	Seron	24/265 H		
D385,415	S	10/1997	Turbide			
D386,310	S	11/1997	Smith			
D386,610	S *	11/1997	Wright	D3/207		
D387,062	S *	12/1997	Heine	D14/230		
D390,123	S *	2/1998	Kennedy	D10/30		

US D682,489 S

D390,128 S *	2/1998	Toribio	D10/32	D495,443 S *	8/2004	Kim	D26/38
D391,685 S *	3/1998	Kinniburgh	D29/124	D496,253 S *	9/2004	Kovacik et al.	D8/358
D392,583 S	3/1998	Hoffman		D498,358 S *	11/2004	Wolff	D3/215
5,722,125 A *	3/1998	Vasilopoulos	24/301	6,810,685 B2 *	11/2004	Esposito, Jr.	63/39
5,732,898 A *	3/1998	Odessky et al.	242/377	6,851,530 B2 *	2/2005	Wei	191/12.2 R
5,785,011 A *	7/1998	Gitterman, III	119/865	6,877,889 B2 *	4/2005	Peng et al.	362/570
D397,286 S *	8/1998	Dreyfus et al.	D8/358	6,892,678 B2 *	5/2005	Cheng	119/859
5,816,198 A *	10/1998	Peterson	119/794	D505,859 S *	6/2005	Suzuki	D8/358
D402,104 S *	12/1998	Kauker et al.	D3/215	D507,110 S *	7/2005	Hicks et al.	D3/318
5,842,256 A	12/1998	Anscher		D511,294 S *	11/2005	Kovacik et al.	D8/358
5,852,988 A *	12/1998	Gish	119/795	D512,910 S *	12/2005	Haslam	D9/434
5,860,191 A	1/1999	Sieger		D514,311 S *	2/2006	Cetera	D3/215
D407,867 S *	4/1999	Rubinstein	D30/153	D516,241 S *	2/2006	Gaines et al.	D27/161
D407,985 S *	4/1999	Pimentel	D10/104.2	7,017,527 B2 *	3/2006	Price	119/794
5,901,668 A *	5/1999	Goodger, Sr.	119/795	D518,595 S *	4/2006	Morganfield et al.	D27/161
5,915,335 A *	6/1999	Holt, Jr.	119/771	7,020,935 B2 *	4/2006	Behn et al.	24/298
D416,038 S	11/1999	Kalbach		D520,241 S *	5/2006	Hicks et al.	D3/318
D417,407 S *	12/1999	Da Costa	D10/57	D521,726 S *	5/2006	Tarantino	D3/218
6,000,795 A	12/1999	Van Rysselberghe		D523,188 S *	6/2006	Lord	D30/152
D418,774 S	1/2000	Kalbach		7,056,028 B2 *	6/2006	Hosoda et al.	384/486
D419,426 S *	1/2000	Kovacik et al.	D8/358	D525,538 S *	7/2006	Oas	D10/40
D420,620 S *	2/2000	Riley	D11/216	D526,775 S *	8/2006	Anderton	D3/215
D422,142 S *	4/2000	Hicks et al.	D3/318	7,096,827 B2 *	8/2006	Sporn	119/797
D423,783 S	5/2000	Steurer		D528,290 S *	9/2006	Anderton	D3/215
6,056,173 A *	5/2000	Gillespie	224/247	D528,800 S *	9/2006	Liu et al.	D3/327
6,059,081 A *	5/2000	Patterson et al.	191/12.2 R	7,107,657 B1 *	9/2006	Howell	24/614
D426,063 S *	6/2000	Hicks et al.	D3/318	D530,046 S *	10/2006	Lord	D30/152
6,092,897 A	7/2000	Smerdon, Jr.		D530,095 S *	10/2006	Herzberg	D3/327
D430,957 S *	9/2000	Boucugnani et al.	D29/100	D532,201 S	11/2006	Esch	
6,113,452 A *	9/2000	McGowan et al.	446/26	7,150,247 B2 *	12/2006	Eulette et al.	119/798
D432,084 S *	10/2000	Miller	D13/137.4	D536,173 S *	2/2007	Hicks et al.	D3/318
D432,401 S *	10/2000	Kalbach	D8/382	D536,364 S	2/2007	Kalbach	
D434,000 S *	11/2000	Miller	D13/137.4	D537,403 S *	2/2007	Villani et al.	D12/400
D435,721 S *	1/2001	Lukach	D3/215	7,174,857 B2 *	2/2007	Lord	119/794
D437,485 S *	2/2001	Hicks et al.	D3/318	7,195,413 B2 *	3/2007	Kremizis	401/131
D437,995 S *	2/2001	Perthou	D3/207	D539,528 S *	4/2007	Hastings	D3/215
6,182,334 B1	2/2001	Davancens		D539,697 S	4/2007	Mackay	
6,205,956 B1 *	3/2001	Dickie et al.	119/792	D541,190 S	4/2007	Plzak	
D440,144 S *	4/2001	Todd	D8/354	D541,523 S	5/2007	Zoullas et al.	
6,216,319 B1 *	4/2001	Elkins	24/3.2	D543,693 S *	6/2007	Fishman et al.	D3/215
6,241,750 B1 *	6/2001	Moultrie	606/234	D544,211 S *	6/2007	Herzberg	D3/327
D446,109 S *	8/2001	Kalbach	D8/367	D544,400 S	6/2007	Yoshiguchi	
6,273,029 B1 *	8/2001	Gish	119/792	D556,606 S *	12/2007	Stauffer et al.	D10/40
6,273,354 B1 *	8/2001	Kovacik et al.	242/404	D557,008 S *	12/2007	Stiller	D3/207
D448,651 S *	10/2001	Kovacik et al.	D8/358	D561,565 S *	2/2008	Mitchell	D8/358
D449,974 S *	11/2001	Stekelenburg	D8/358	D563,526 S *	3/2008	Bauer	D23/249
D450,446 S *	11/2001	Morrone	D3/208	7,343,647 B1 *	3/2008	Kinskey et al.	24/3.13
6,334,239 B1 *	1/2002	Kraut	24/3.6	D567,704 S *	4/2008	Martin	D11/87
D460,344 S *	7/2002	Smith	D8/367	RE40,379 E *	6/2008	Hastings	D3/215
D461,451 S *	8/2002	Hawley	D13/137.4	D581,256 S *	11/2008	Jiang	D8/358
6,439,360 B1 *	8/2002	Miller	191/12.2 R	D584,505 S *	1/2009	Baskett	D3/221
D462,513 S	9/2002	Holzhaus et al.		D584,937 S *	1/2009	Kovacik et al.	D8/358
D462,523 S	9/2002	Kalbach		7,478,927 B2 *	1/2009	Matthew et al.	362/258
D463,104 S *	9/2002	Ames	D3/207	D593,403 S *	6/2009	Salentine	D8/395
6,471,560 B2 *	10/2002	Kerckhoff	441/75	7,595,733 B2 *	9/2009	Spagna	340/572.8
D465,645 S *	11/2002	Lombardo et al.	D3/215	D601,916 S *	10/2009	Moss	D11/87
D467,416 S	12/2002	Kalbach		D608,541 S *	1/2010	Myers	D3/215
D468,189 S *	1/2003	Kovacik et al.	D8/358	D616,545 S *	5/2010	Burtch	D24/134
D471,005 S *	3/2003	Hastings	D3/215	D619,495 S	7/2010	Herman	
D472,798 S *	4/2003	Kalbach	D8/396	D621,606 S	8/2010	Marquardt	
D473,156 S *	4/2003	Sloot	D11/79	D628,797 S *	12/2010	Kalbach	D3/247
D474,678 S *	5/2003	Buettell	D8/382	D628,798 S *	12/2010	Kalbach	D3/247
6,581,547 B1 *	6/2003	Austin	119/794	D629,331 S	12/2010	Kalbach	
D477,709 S *	7/2003	Natividad	D3/218	D630,127 S *	1/2011	Johnson	D11/216
6,598,273 B2 *	7/2003	Buettell	24/316	D634,232 S	3/2011	Kelly et al.	
6,615,460 B1 *	9/2003	Baumgarten	24/615	D637,364 S *	5/2011	Blakemore	D30/153
D481,234 S *	10/2003	Lai	D6/524	D637,478 S *	5/2011	Kalbach	D8/383
6,637,083 B1 *	10/2003	Howell	24/614	D638,330 S *	5/2011	Fahrendorff et al.	D11/200
6,641,390 B2 *	11/2003	Genuise	431/253	D639,642 S *	6/2011	Kalbach	D8/383
6,675,742 B1 *	1/2004	Shiraki	119/797	D639,691 S *	6/2011	James	D11/7
6,679,448 B1 *	1/2004	Carpenter et al.	242/385.3	D642,376 S *	8/2011	Pennington	D3/215
D485,981 S *	2/2004	Romero	D3/215	D644,139 S	8/2011	Kalbach	
D486,511 S *	2/2004	Kalbach	D16/339	D648,522 S *	11/2011	Gorman	D3/215
D487,015 S *	2/2004	Kalbach	D8/382	D651,769 S *	1/2012	Farrell	D30/153
6,709,100 B2 *	3/2004	Kalbach	351/156	D652,757 S *	1/2012	Aug et al.	D11/5
6,711,785 B1 *	3/2004	Hicks et al.	24/3.4	D653,722 S *	2/2012	Morris et al.	D21/796
D488,448 S *	4/2004	Ranger	D13/154	D656,988 S *	4/2012	Alva	D19/34
D491,444 S *	6/2004	Nicholls	D8/358	D657,134 S *	4/2012	Tepper	D3/215
6,752,305 B2 *	6/2004	Shattuck	224/603	D662,435 S *	6/2012	Kalbach	D11/3

US D682,489 S

Page 4

D662,436	S *	6/2012	Kalbach	D11/3
D672,278	S *	12/2012	Kalbach	D11/201
D672,279	S *	12/2012	Kalbach	D11/201
D676,618	S *	2/2013	Kalbach	D30/153
D677,188	S *	3/2013	Kalbach	D11/3
D677,189	S *	3/2013	Kalbach	D11/3
2002/0046714	A1 *	4/2002	Simmons	119/771
2002/0125997	A1 *	9/2002	Kashi et al.	340/10.52
2003/0033697	A1 *	2/2003	Hicks et al.	24/615
2004/0001179	A1 *	1/2004	Kalbach	351/157
2004/0094630	A1 *	5/2004	Tani	235/487
2005/0211189	A1 *	9/2005	Price	119/794
2006/0032461	A1 *	2/2006	Sporn	119/797
2006/0076419	A1 *	4/2006	Johnson	235/492
2006/0087440	A1 *	4/2006	Klein	340/573.3
2006/0113345	A1 *	6/2006	Zoullas et al.	224/600
2006/0137625	A1 *	6/2006	Conte	119/858
2006/0144343	A1 *	7/2006	Price	119/794
2006/0236956	A1 *	10/2006	Lord	119/794
2007/0039560	A1 *	2/2007	Smith	119/794
2008/0000431	A1 *	1/2008	Longo	119/795
2008/0000432	A1 *	1/2008	Alhegelan	119/796
2008/0072844	A1 *	3/2008	Konigsberg	119/770
2008/0134416	A1 *	6/2008	Moreau et al.	2/411
2009/0015000	A1 *	1/2009	Wolfe	283/74
2009/0071750	A1 *	3/2009	Simard et al.	182/5
2009/0255095	A1 *	10/2009	Gillard et al.	24/3.13
2010/0269764	A1 *	10/2010	Rogers	119/797
2011/0103558	A1 *	5/2011	Hooten	379/37
2011/0132944	A1 *	6/2011	Gravitis	224/267
2011/0226823	A1 *	9/2011	Jasa	224/162
2012/0153064	A1 *	6/2012	Votel et al.	242/378.4

OTHER PUBLICATIONS

- “EK Ekcessories, Inc. Product Catalog” Aug. 1994, pp. 8 and 9.
“Shockers Eyewear Retainers & Sports Accessories Catalog,” 1997, Portland, Oregon.
“Shockers Eyewear Retainers & Sports Accessories Catalog,” 1989-1999, Newberg, Oregon.
“SnugZ USA Catalog” Jan. 1, 1997.
“SnugZ USA Catalog” Jan. 1, 2000.
“J.A.M. Plastics, Inc. Catalog” Oct. 1, 1996, Anaheim California.
CIPI—Products—Neckwear & Wristwear—Lanyards, Feb. 13, 1998, Website.
CIPI—Products—Neckwear & Wristwear—Lanyards, 1997.
CIPI Product Line website visited Dec. 27, 2001.
Neon Lanyards . . . Braided nylon lanyards with . . . , 1995-98, Website.
CWA Lanyards, p. 1, Website, at least as early as Feb. 1999.
IRIS Catalog, Lanyards, at least as early as Feb. 1999.
The Logo Shop Catalog, Logo Watch Co., p. 2, 1997, Logan Utah.
Shockers, 1997, Dealer Price List.
“EK Ekcessories Catalog” Aug. 1997.
“EK Ekcessories Catalog” Jan. 1998.
“EK Ekcessories Pamphlet” Industrial and Security, at least as early as Mar. 2002.
“EK Ekcessories Catalog” ASI Promotion Products, Jan. 1999.
“EK Keycessories Catalog” at least as early as Mar. 2002.
“XTROS USA” products flyer. , at least as early as Mar. 2002.

* cited by examiner

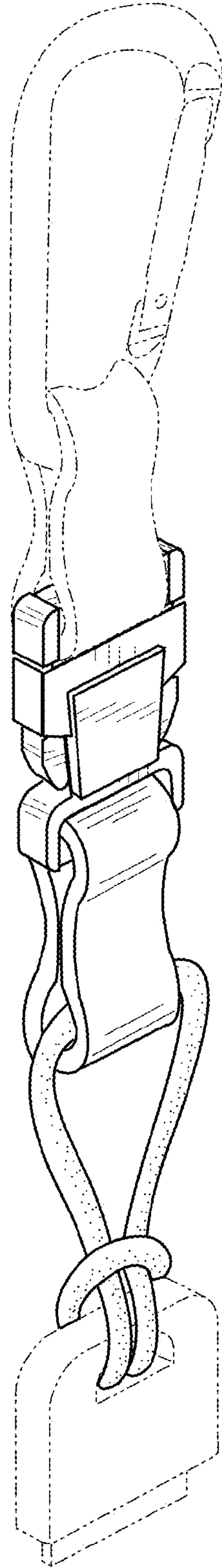


FIG. 1

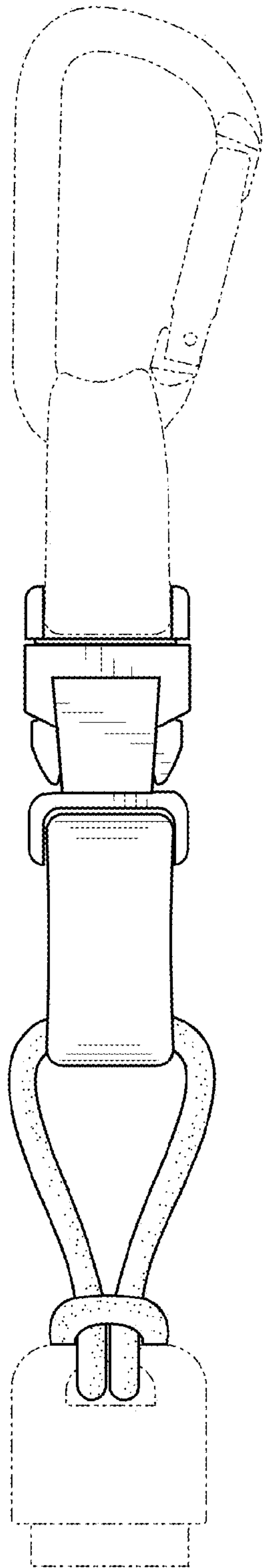


FIG. 2

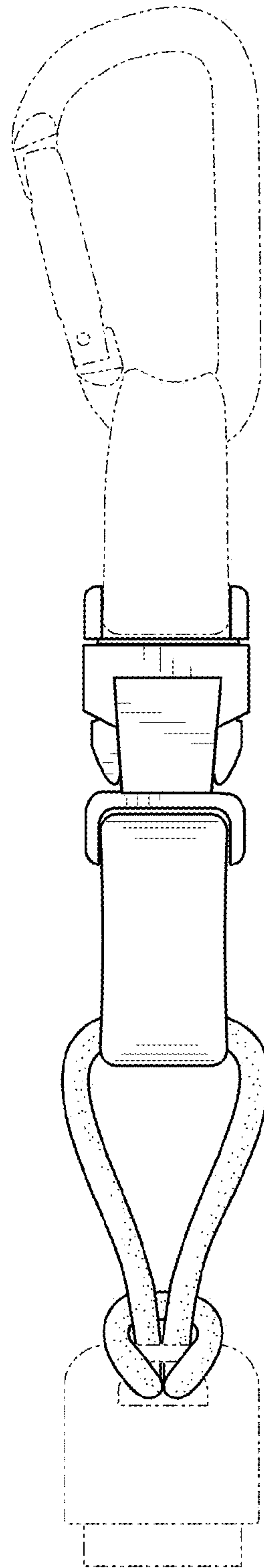


FIG. 3

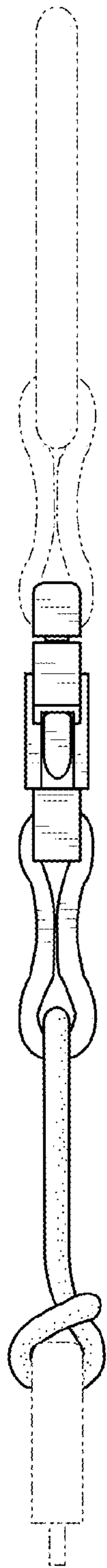


FIG. 4

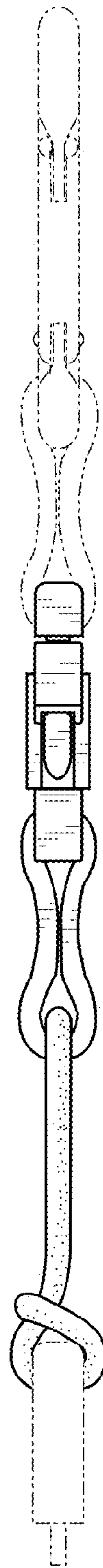


FIG. 5