

US00D682486S

(12) **United States Design Patent**
Sebö

(10) **Patent No.:** **US D682,486 S**

(45) **Date of Patent:** **** May 14, 2013**

(54) **IDC POWER HARNESS FOR ANIMALS**

(75) Inventor: **Gyula Sebö, Szigetszentmiklós (HU)**

(73) Assignee: **Julius-K9 BT., Szigetszentmiklós (HU)**

(**) Term: **14 Years**

(21) Appl. No.: **29/347,926**

(22) Filed: **Aug. 5, 2010**

(51) **LOC (9) Cl.** **30-01**

(52) **U.S. Cl.**
USPC **D30/152**

(58) **Field of Classification Search** D30/145,
D30/144, 151-154; 119/678, 850, 673, 702,
119/712, 792-798, 758, 760, 769, 770, 784,
119/815, 818, 856, 863, 864, 905, 907, 802,
119/857, 865, 725, 771; 52/3; 54/79.4, 79.1,
54/80.1, 79.2; D3/271.2, 217, 327; 150/154;
36/111; 604/293; 602/79, 61

See application file for complete search history.

(56) **References Cited**

U.S. PATENT DOCUMENTS

262,577	A *	8/1882	Day	2/94
1,437,255	A *	11/1922	Mallinson	54/79.2
D110,625	S *	7/1938	Nesbitt	D30/152
D228,926	S *	10/1973	Bennett	D30/145
4,328,766	A *	5/1982	Deibert	119/794
4,385,592	A *	5/1983	Goldstein	602/18
4,715,618	A *	12/1987	Harris	119/771
4,879,865	A *	11/1989	Van Scoyk	54/66
D313,291	S *	12/1990	Shanley	D30/145
D313,676	S *	1/1991	Indursky et al.	D30/145
5,267,428	A *	12/1993	Mayo	54/37.1
5,471,953	A *	12/1995	Sporn	119/792
D407,865	S *	4/1999	Rylander	D30/144
5,901,532	A *	5/1999	Bopp	54/66
5,941,199	A *	8/1999	Tamura	119/850
5,996,537	A *	12/1999	Caditz	119/850

6,101,979	A *	8/2000	Wilson et al.	119/725
6,123,049	A *	9/2000	Slater	119/850
6,138,611	A *	10/2000	Thielemann	119/850
6,241,750	B1 *	6/2001	Moultrie	606/234
D445,223	S *	7/2001	Butler	D30/145
D453,594	S *	2/2002	Ishihara	D30/152
D459,842	S *	7/2002	Kaplan	D30/145
6,443,101	B1 *	9/2002	Fazio	119/792
6,481,383	B1 *	11/2002	Ross et al.	119/850
6,539,898	B2 *	4/2003	Gatto	119/850
6,581,547	B1 *	6/2003	Austin	119/794
D479,896	S *	9/2003	Wilson	D30/145
6,662,754	B1 *	12/2003	Wilson	119/850
6,694,923	B1 *	2/2004	Fouche	119/792
6,845,736	B1 *	1/2005	Anderson	119/796
6,976,453	B2 *	12/2005	Goudal	119/815
7,150,247	B2 *	12/2006	Eulette et al.	119/798
7,174,857	B2 *	2/2007	Lord	119/794
7,281,363	B2 *	10/2007	Woerner	54/37.1
D566,908	S *	4/2008	Schirmacher et al.	D30/135
7,370,608	B1 *	5/2008	Friedman	119/850

(Continued)

Primary Examiner — Susan Moon Lee

(74) *Attorney, Agent, or Firm* — Hershkovitz & Associates LLC; Abraham Hershkovitz

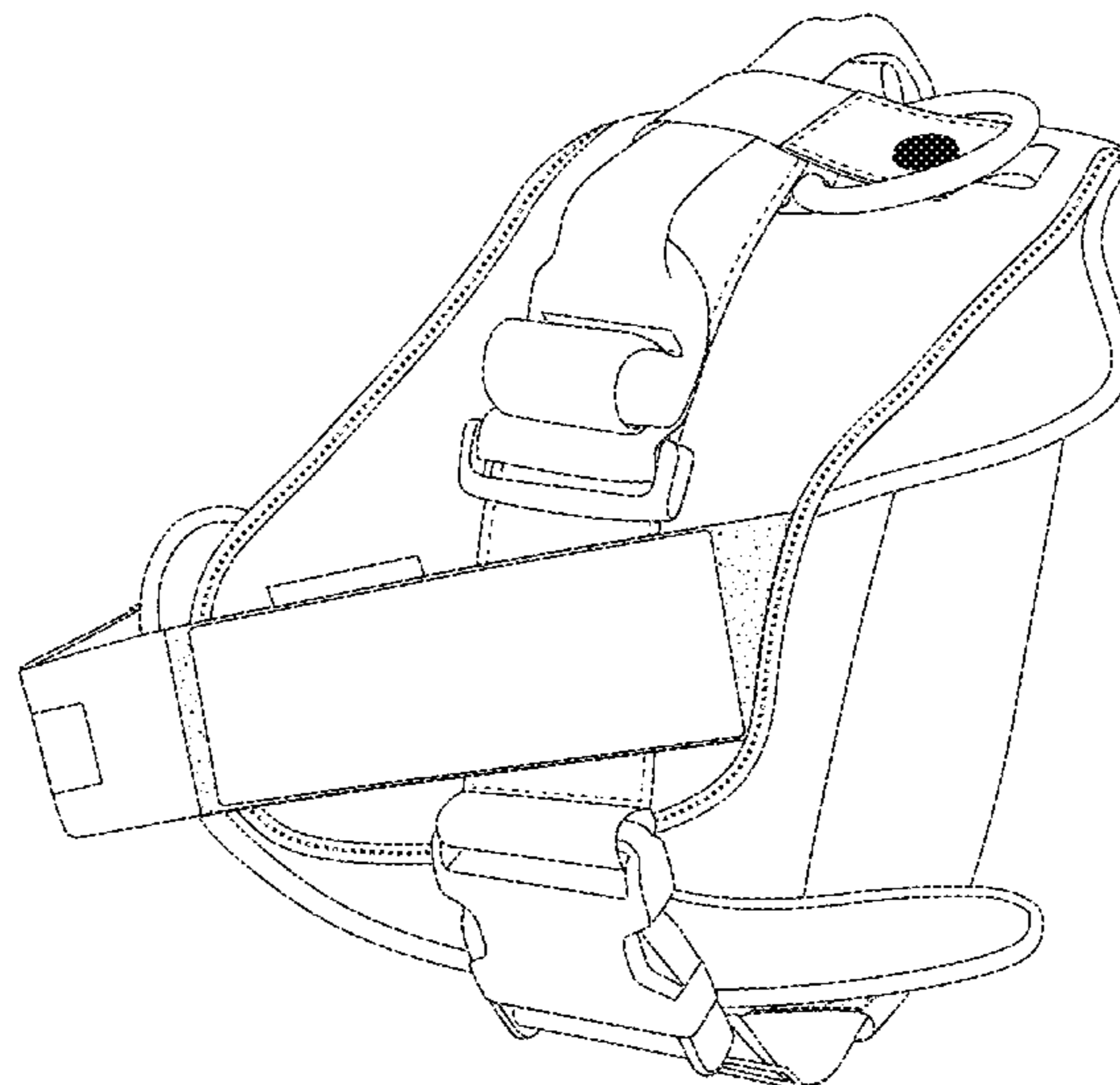
(57) **CLAIM**

I claim the ornamental design for an IDC power harness for animals, as shown and described.

DESCRIPTION

FIG. 1 is a rear lateral perspective view of the IDC power harness for animals;
FIG. 2 is a left side view thereof;
FIG. 3 is a right side view thereof;
FIG. 4 is a back view thereof; and,
FIG. 5 is a top plan view thereof.
The broken line showing of stitching throughout the drawing views is part of the claimed design.

1 Claim, 5 Drawing Sheets



US D682,486 S

Page 2

U.S. PATENT DOCUMENTS

7,461,615	B2 *	12/2008	Albright	119/794	D664,310	S *	7/2012	Ito	D30/152
D584,862	S *	1/2009	Kemper	D30/145	D664,720	S *	7/2012	Leonard	D30/145
D606,712	S *	12/2009	Speed	D30/145	8,210,131	B2 *	7/2012	Friedland	119/850
7,665,425	B2 *	2/2010	Gross	119/850	2003/0066493	A1 *	4/2003	Scheid et al.	119/787
D613,001	S *	3/2010	O'Brien	D30/145	2003/0177984	A1 *	9/2003	Newman	119/850
7,755,483	B2 *	7/2010	Schmidt	340/568.1	2004/0154556	A1 *	8/2004	Masterson et al.	119/794
D621,561	S *	8/2010	Siklosi et al.	D30/152	2005/0072819	A1 *	4/2005	Maldonado et al.	224/162
D633,257	S *	2/2011	Trias	D30/145	2005/0217609	A1 *	10/2005	Dorton et al.	119/792
D637,363	S *	5/2011	Clement	D30/145	2005/0229869	A1 *	10/2005	Leo	119/850
D638,176	S *	5/2011	Mugford	D30/152	2005/0258203	A1 *	11/2005	Weaver	224/162
D651,364	S *	12/2011	Luckenbach	D30/145	2006/0156997	A1 *	7/2006	Moore	119/792
D652,580	S *	1/2012	Leonard	D30/145	2007/0175900	A1 *	8/2007	Richardson	220/484
D653,409	S *	1/2012	Elliott	D30/152	2007/0289557	A1 *	12/2007	Gerdes	119/850
D653,410	S *	1/2012	Morton	D30/152	2008/0072846	A1 *	3/2008	Albright	119/792
D653,411	S *	1/2012	Elliott	D30/152	2008/0134991	A1 *	6/2008	DePass	119/856
D654,637	S *	2/2012	Jansson	D30/145	2008/0313862	A1 *	12/2008	Brekke-Hutchings	24/3.13
8,132,544	B2 *	3/2012	Kosanke	119/856	2010/0263602	A1 *	10/2010	Cho	119/792
8,181,608	B2 *	5/2012	Reese	119/720					

* cited by examiner

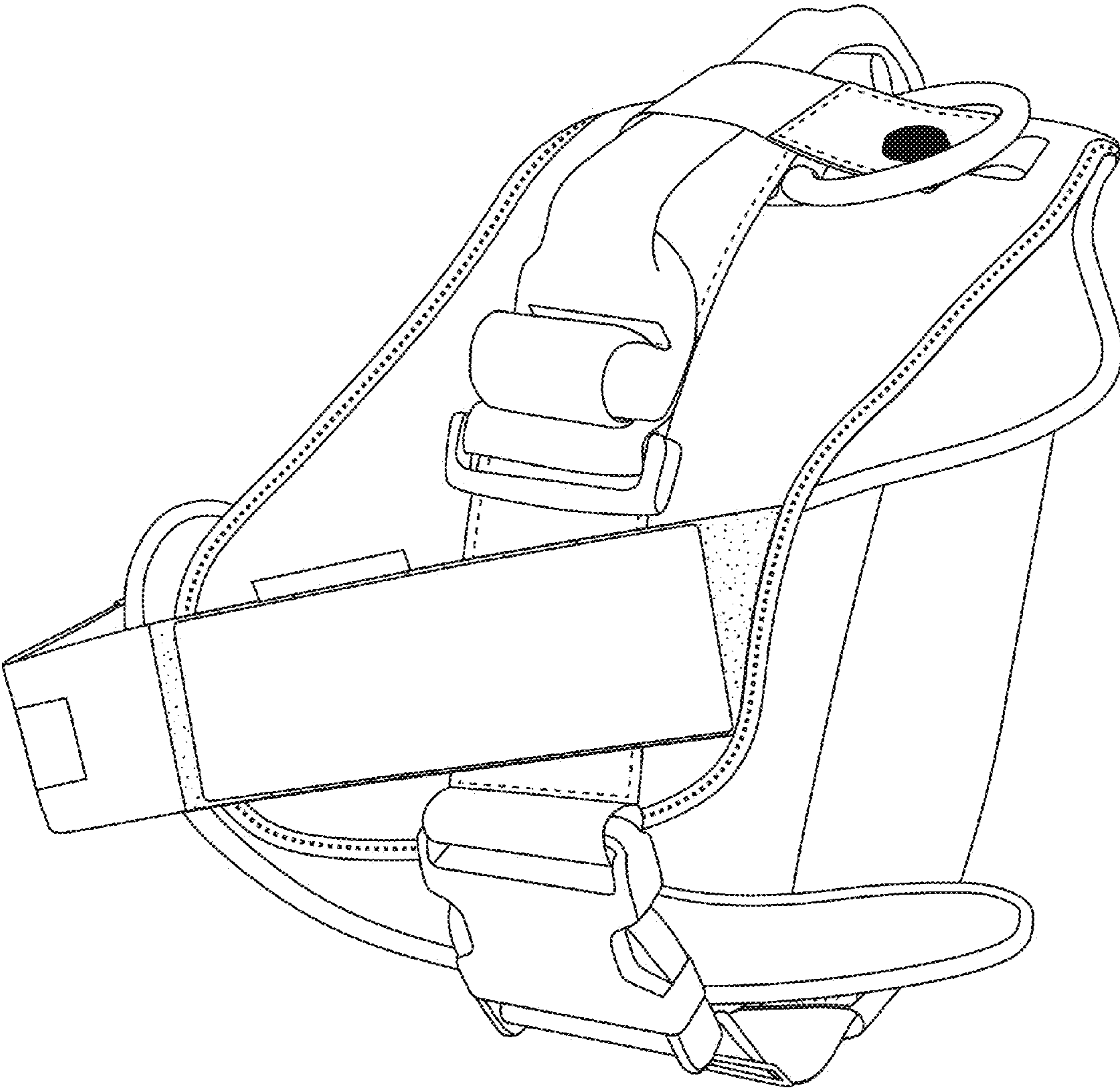


FIG. 1

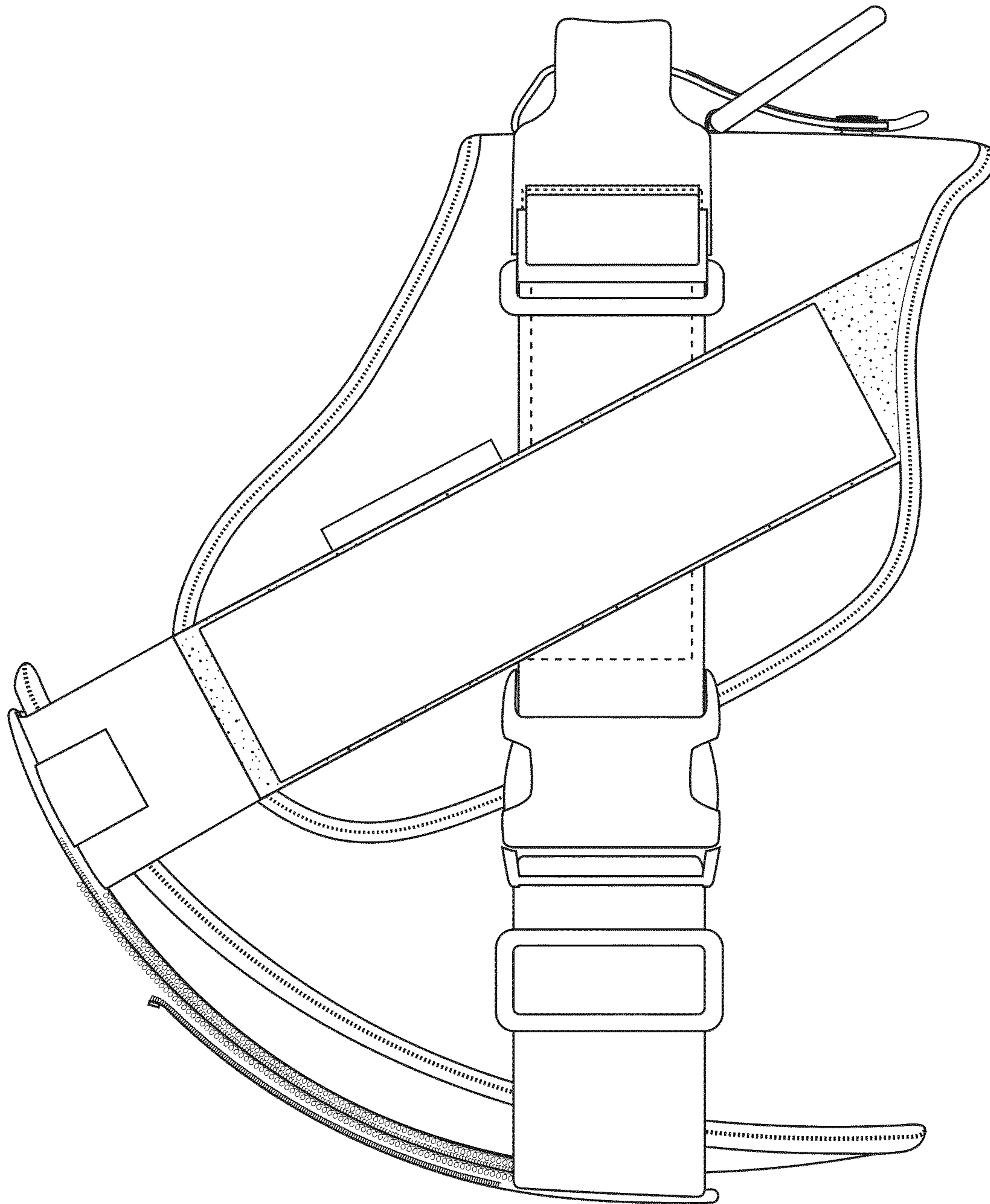


FIG. 2

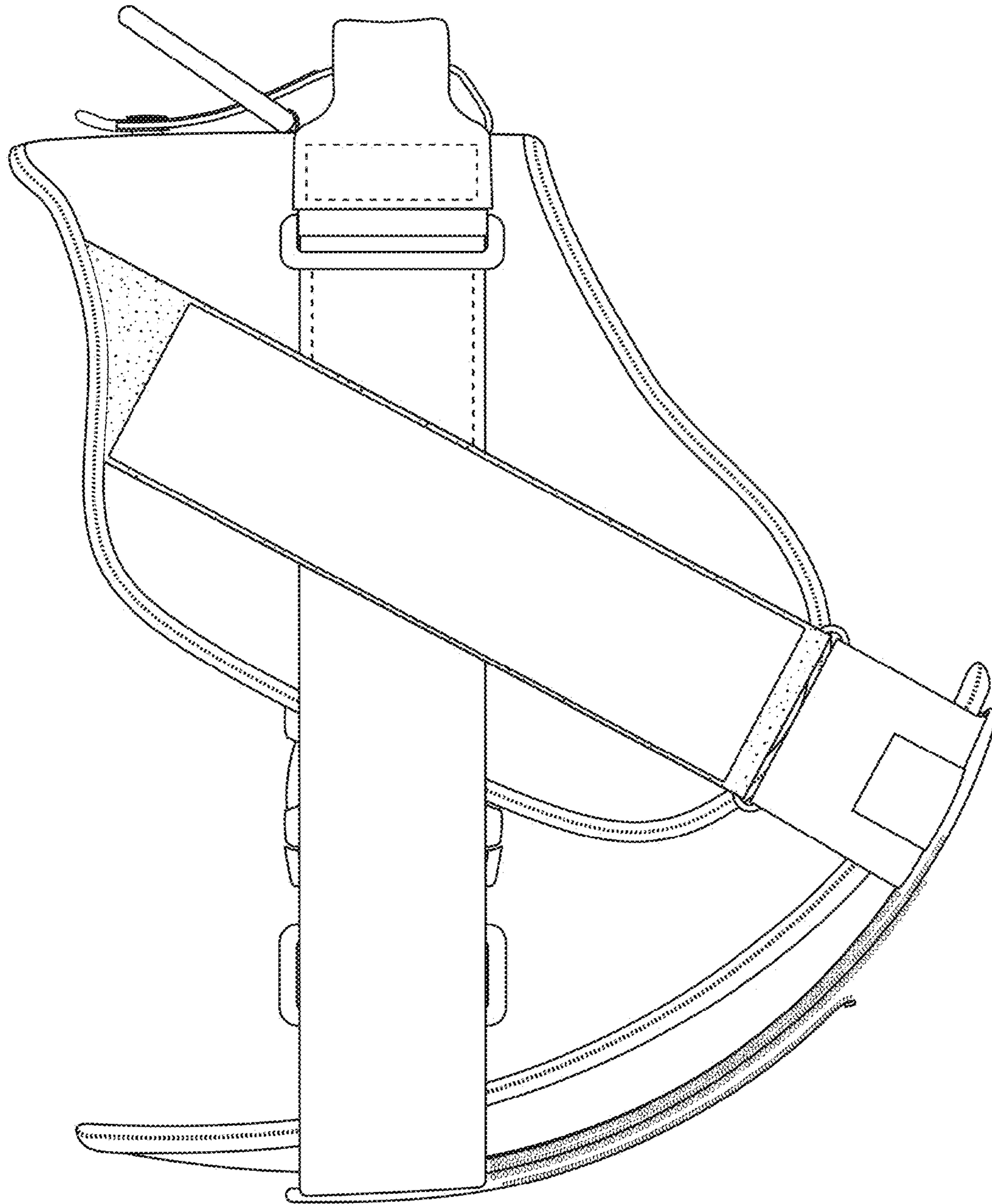


FIG. 3

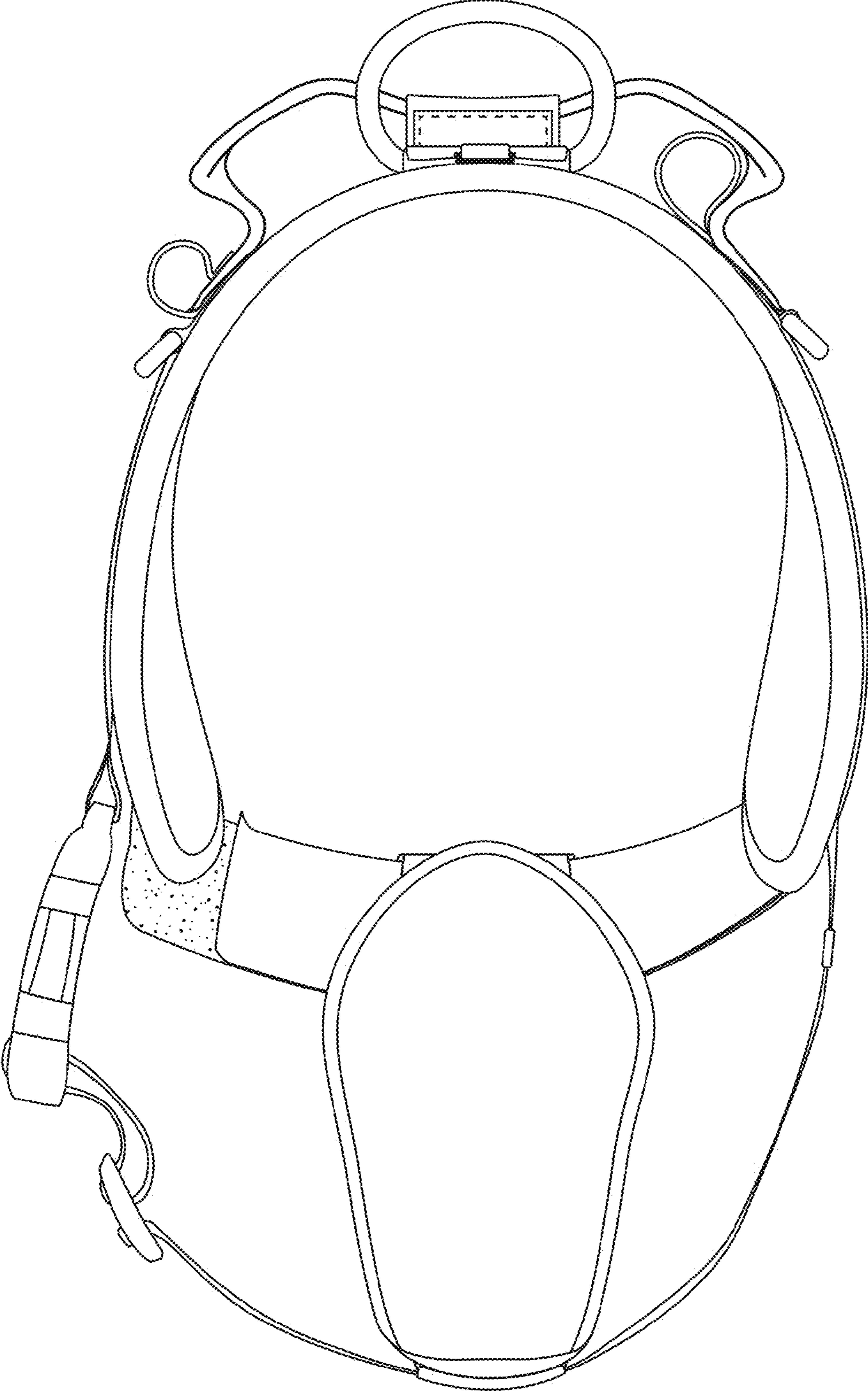


FIG. 4

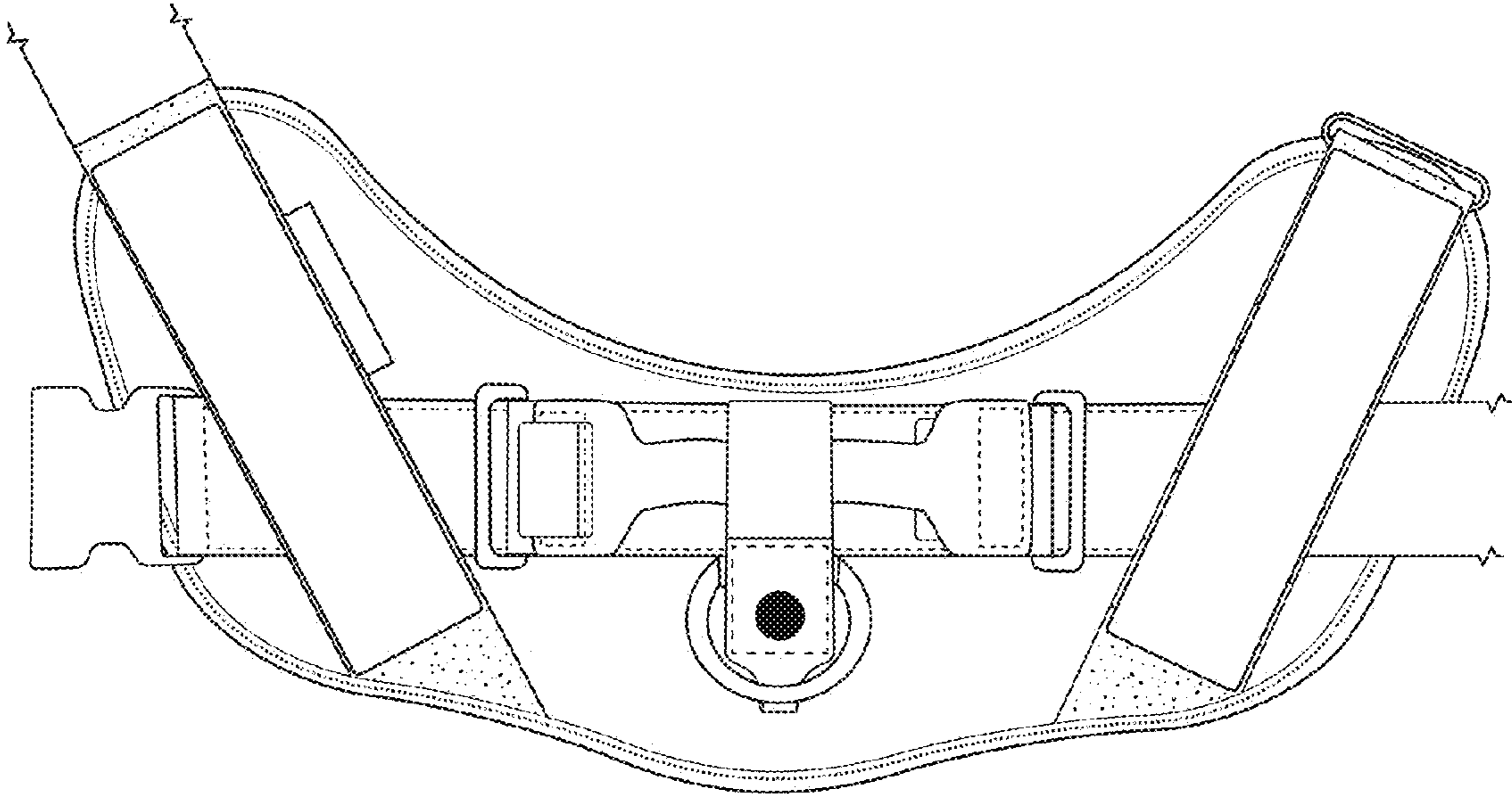


FIG. 5