



US00D682485S

(12) **United States Design Patent**
Wygle

(10) **Patent No.:** **US D682,485 S**

(45) **Date of Patent:** **** May 14, 2013**

(54) **PET BOWL AND STAND THEREFORE**

(74) *Attorney, Agent, or Firm* — QuickPatents; Kevin Prince

(76) Inventor: **Courtney A. Wygle**, Seminole, FL (US)

(57) **CLAIM**

I claim the ornamental design for a pet bowl and stand there-
fore, as shown and described.

(**) Term: **14 Years**

(21) Appl. No.: **29/410,401**

DESCRIPTION

(22) Filed: **Jan. 6, 2012**

(51) **LOC (9) Cl.** **30-03**

(52) **U.S. Cl.**
USPC **D30/133; D30/129**

(58) **Field of Classification Search** D30/133,
D30/121, 128, 130, 132; 119/52.1, 55, 61.5–61.56;
D6/480–485; 248/188; 312/204; 108/153.1–157
See application file for complete search history.

FIG. 1 is a perspective view of a pet bowl and stand therefore, showing a first embodiment of my new design;
FIG. 2 is a left-side elevational view of FIG. 1, the right-side elevational view being a mirror image thereof;
FIG. 3 is a front elevational view of FIG. 1, the rear elevational view being a mirror image thereof;
FIG. 4 is a top plan view of FIG. 1;
FIG. 5 is a bottom plan view of FIG. 1;
FIG. 6 is a perspective view of a second embodiment thereof;
FIG. 7 is a left-side elevational view of FIG. 6, the right-side elevational view being a mirror image thereof;
FIG. 8 is a front elevational view of FIG. 6, the rear elevational view being a mirror image thereof;
FIG. 9 is a top plan view of FIG. 6; and
FIG. 10 is a bottom plan view of FIG. 6.
FIG. 11 is a perspective view of a third embodiment thereof;
FIG. 12 is a left-side elevational view of FIG. 11, the right-side elevational view being a mirror image thereof;
FIG. 13 is a front elevational view of FIG. 11, the rear elevational view being a mirror image thereof;
FIG. 14 is a top plan view of FIG. 11;
FIG. 15 is a bottom plan view of FIG. 11;
FIG. 16 is a perspective view of a fourth embodiment thereof;
FIG. 17 is a left-side elevational view of FIG. 16, the right-side elevational view being a mirror image thereof;
FIG. 18 is a front elevational view of FIG. 16, the rear elevational view being a mirror image thereof;
FIG. 19 is a top plan view of FIG. 16; and
FIG. 20 is a bottom plan view of FIG. 16.

(56) **References Cited**

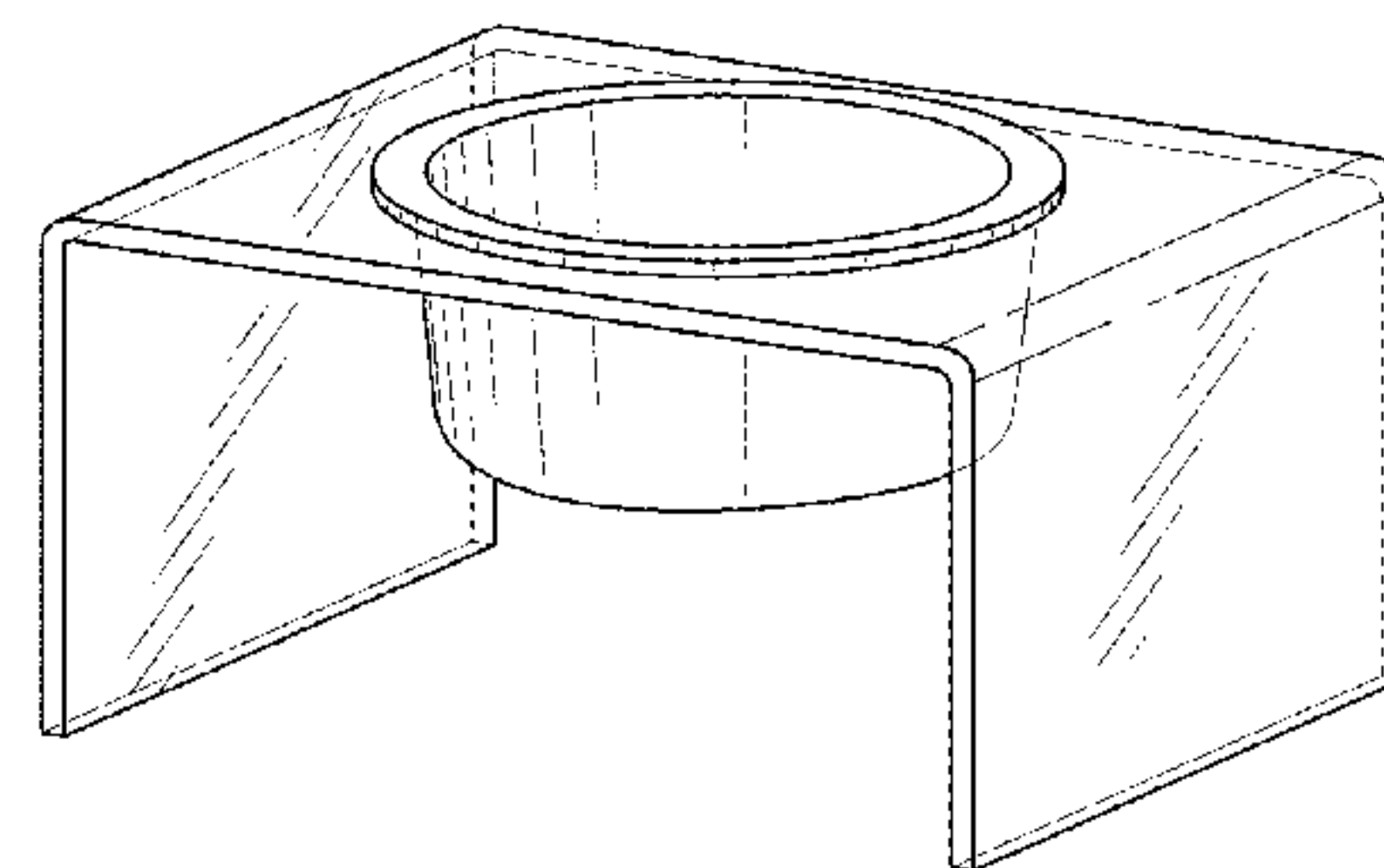
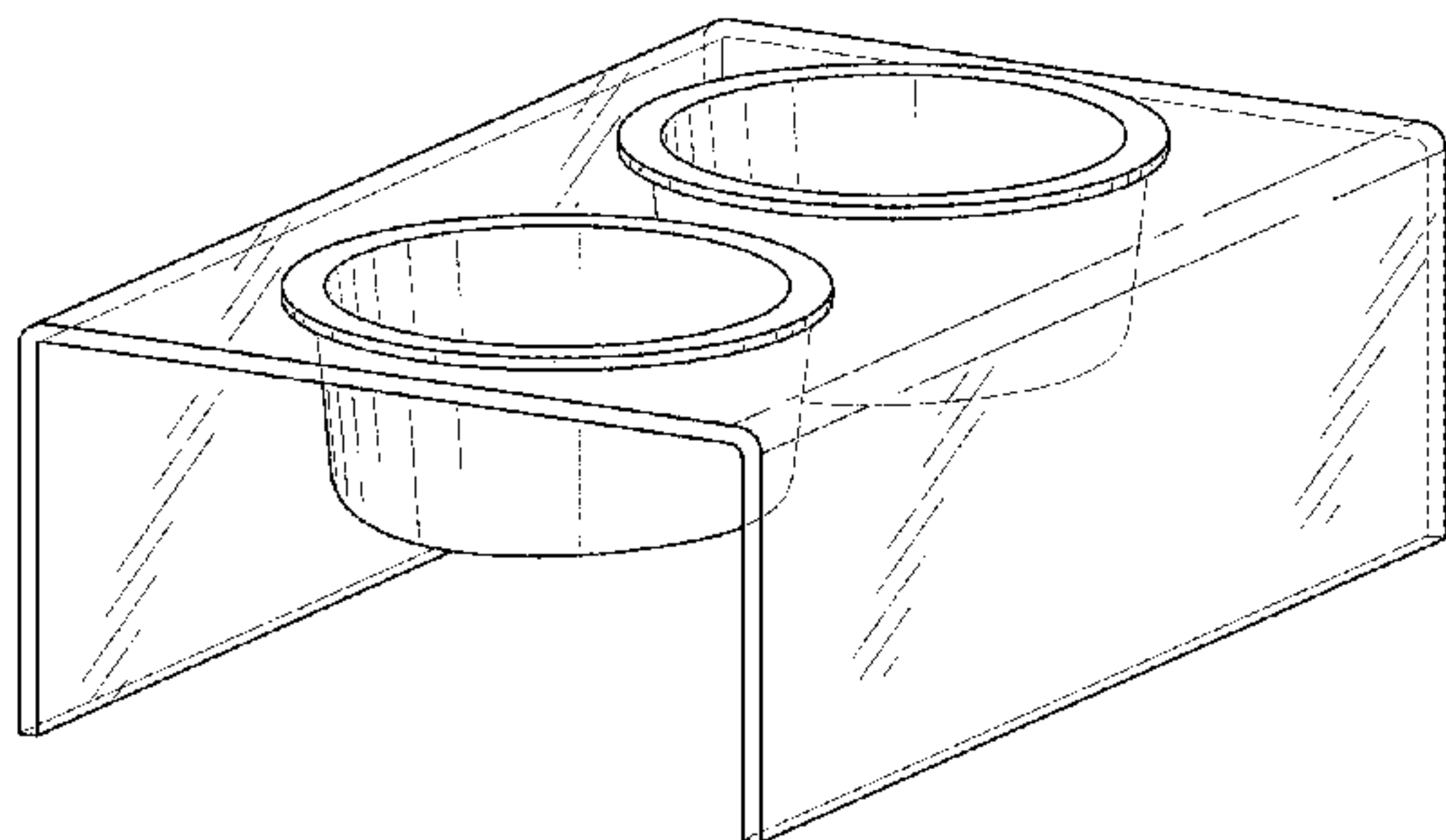
U.S. PATENT DOCUMENTS

1,293,019	A *	2/1919	Brown	248/312
1,440,046	A *	12/1922	Ziplinsky	220/796
1,877,217	A *	9/1932	Anderson	312/289
D89,262	S	2/1933	Nunimaker	
1,915,958	A *	6/1933	Skirrow	248/300
2,003,241	A *	5/1935	Brown	248/439
D105,450	S	7/1937	Clifton	
D180,720	S *	7/1957	Orvedahl	D6/406.6
2,841,114	A *	7/1958	Grant	119/52.4
D188,415	S *	7/1960	Scheurer	D12/419
D200,584	S *	3/1965	Krone	D6/485
3,180,316	A *	4/1965	Chatfield et al.	119/51.12
3,235,263	A *	2/1966	Smith	273/156
D207,199	S *	3/1967	Robert	D30/133
D209,677	S *	12/1967	Robert	D30/133
D209,678	S	12/1967	Robert	
D209,679	S *	12/1967	Robert	D30/133
D212,161	S *	9/1968	Robert	D30/133
D217,360	S *	4/1970	Robert	D30/133

(Continued)

Primary Examiner — Susan Moon Lee

1 Claim, 8 Drawing Sheets



US D682,485 S

U.S. PATENT DOCUMENTS

D218,618 S *	9/1970	Weick	D6/485
D221,217 S *	7/1971	Beychok	D12/419
3,651,787 A *	3/1972	Cooper	119/51.01
D223,583 S *	5/1972	Weick	D6/477
D224,636 S *	8/1972	Ball	D6/484
D227,329 S *	6/1973	Grossman	D6/485
D231,787 S *	6/1974	Burnley	D30/107
D231,887 S *	6/1974	Kephart	D6/484
D233,293 S *	10/1974	Rosen	D6/484
3,874,085 A *	4/1975	Atkins	33/524
D237,787 S *	11/1975	Weyrich, Jr.	D34/24
3,924,572 A *	12/1975	Classe et al.	119/453
D238,643 S *	2/1976	Binzen	D6/484
3,939,986 A *	2/1976	Pierro	211/74
D240,184 S *	6/1976	Neuschaefer	D6/422
4,065,195 A *	12/1977	Fahmie	312/258
D252,310 S *	7/1979	Shannon	D7/619.1
D257,914 S *	1/1981	Wooters	D12/419
D258,152 S *	2/1981	Robert	D30/133
D260,043 S *	7/1981	Robinson	D30/129
D262,171 S *	12/1981	Lustig	D6/484
D276,019 S *	10/1984	Koustis	D7/641
D276,767 S *	12/1984	Livi	D6/349
D279,845 S *	7/1985	Holliman	D14/457
D286,836 S *	11/1986	Ginouves	D6/484
4,658,759 A *	4/1987	Brown	119/61.5
D296,284 S *	6/1988	Colby	D6/487
D300,290 S *	3/1989	Moberg	D7/701
4,819,803 A *	4/1989	Neiser	206/423
D300,996 S *	5/1989	Colby	D6/487
D303,467 S *	9/1989	Pepitone	D6/512
D306,243 S *	2/1990	Livi	D6/485
D312,896 S *	12/1990	Goetz	D30/130
D315,974 S *	4/1991	Steiner	
D316,348 S *	4/1991	Livi	D6/484
D318,579 S *	7/1991	Palmer	D6/406.6
5,152,247 A *	10/1992	Brown	119/464
5,174,245 A *	12/1992	Bishop	119/73
D334,304 S *	3/1993	Gilman	D6/449
D338,576 S *	8/1993	Livi	D6/484
D340,594 S *	10/1993	Lambert	D6/406.6
D341,043 S *	11/1993	Pesso	D6/484
D342,350 S *	12/1993	Gower	
D346,627 S *	5/1994	Bach	D21/501
D347,342 S *	5/1994	Ghini	D6/485
5,327,838 A *	7/1994	Beltman	108/25
D351,103 S *	10/1994	Reynolds	D9/456
D351,488 S *	10/1994	Tominaga	D30/101
D358,158 S *	5/1995	Bush	D16/222
D359,862 S *	7/1995	Rousch	D6/406.6
5,509,376 A *	4/1996	Tsengas	119/51.5
5,526,773 A *	6/1996	Richardson	119/51.5
D374,513 S *	10/1996	Melvin	D30/121
D374,517 S *	10/1996	Morrill	D30/133
5,560,406 A *	10/1996	Fineroff et al.	141/375
D377,244 S *	1/1997	Steininger	
5,624,043 A *	4/1997	Baptista	211/74
5,702,009 A *	12/1997	Ouellet et al.	211/74
D393,107 S *	3/1998	Tsengas	D30/121
5,865,094 A *	2/1999	Kealy	99/291
D406,925 S *	3/1999	Sharon	D30/129
D406,964 S *	3/1999	Lewis	D6/485
D407,639 S *	4/1999	Ishii	D9/414
D410,781 S *	6/1999	Sharon	D30/129
D411,689 S *	6/1999	Papaioannou et al.	D6/349
D412,377 S *	7/1999	Sharon	D30/130
D412,605 S *	8/1999	Sharon	D30/129
D414,303 S *	9/1999	Sharon	D30/130
D424,252 S *	5/2000	Hirsh	
D424,759 S *	5/2000	Sipka	D30/130
D427,814 S *	7/2000	Black	D6/484
6,220,458 B1 *	4/2001	Falor	211/74
D444,322 S *	7/2001	Yoshino	D6/484
D448,978 S *	10/2001	Isbell	D7/619.1
D451,709 S *	12/2001	Heithecker	D6/472
6,345,723 B1 *	2/2002	Blake et al.	211/74
D462,204 S *	9/2002	Ross	D6/485
D466,337 S *	12/2002	Feng	D6/485
D477,691 S *	7/2003	Crowley	D30/131
D478,193 S *	8/2003	Routh	
D485,093 S *	1/2004	de Blois	D6/485
D486,274 S *	2/2004	Tsengas	D30/130
6,779,915 B2 *	8/2004	Foster, Jr.	366/129
6,786,177 B1 *	9/2004	Lemkin	119/51.01
D505,523 S *	5/2005	Rahman	
D515,877 S *	2/2006	Czepowicz et al.	D7/619.1
D515,878 S *	2/2006	Czepowicz et al.	D7/619.1
7,073,461 B2 *	7/2006	Gonet	119/61.5
7,077,074 B2 *	7/2006	Polimeni, Jr.	119/61.56
D527,552 S *	9/2006	Searl	D6/485
D528,869 S *	9/2006	VanHook	D7/619.1
D533,687 S *	12/2006	Bull	D30/118
D535,506 S *	1/2007	Wilson	D6/503
D539,569 S *	4/2007	Lewis	D6/484
D544,408 S *	6/2007	Weekes	D12/106
D562,081 S *	2/2008	Ambach	D7/619.1
7,341,019 B1 *	3/2008	Tsengas	119/61.5
D573,364 S *	7/2008	Johnson	D6/406.3
D579,724 S *	11/2008	McMurphy	D7/545
D589,283 S *	3/2009	Stangdell	D6/485
D591,074 S *	4/2009	Powers et al.	D6/406.6
D591,090 S *	4/2009	Judkins	D6/484
D592,814 S *	5/2009	Uffner et al.	D30/133
7,604,211 B2 *	10/2009	Moore	248/309.1
D608,600 S *	1/2010	Wood et al.	D7/605
D621,560 S *	8/2010	McMurphy	D30/133
D622,913 S *	8/2010	Schroeder et al.	D30/161
D641,937 S *	7/2011	Pitter	D30/133
D644,456 S *	9/2011	Martin	D6/483
D645,865 S *	9/2011	Diehl	D14/432
D646,440 S *	10/2011	Chance et al.	D30/133
D647,667 S *	10/2011	Siklosi	
D653,914 S *	2/2012	Lutz	D7/624.1
D659,913 S *	5/2012	Spectre et al.	D30/130
D662,674 S *	6/2012	Tsengas	D30/133
D663,545 S *	7/2012	Hundley	D6/396
D665,541 S *	8/2012	Shamoon	D30/133
D666,782 S *	9/2012	Wygle	D30/118
D667,175 S *	9/2012	McMurphy	D30/133
D669,231 S *	10/2012	Chance et al.	D30/133
8,347,817 B1 *	1/2013	Miller	119/56.1
D676,612 S *	2/2013	Wygle	D30/118
2004/0011934 A1 *	1/2004	Czepowicz et al.	248/311.2
2004/0182326 A1 *	9/2004	Polimeni, Jr.	119/51.5
2005/0139162 A1 *	6/2005	Polimeni, Jr.	119/51.5
2006/0144845 A1 *	7/2006	Tavano	220/737
2008/0190372 A1	8/2008	Horvath	
2009/0001231 A1 *	1/2009	Casanova	248/176.1
2010/0162961 A1 *	7/2010	Hove et al.	119/51.5

* cited by examiner

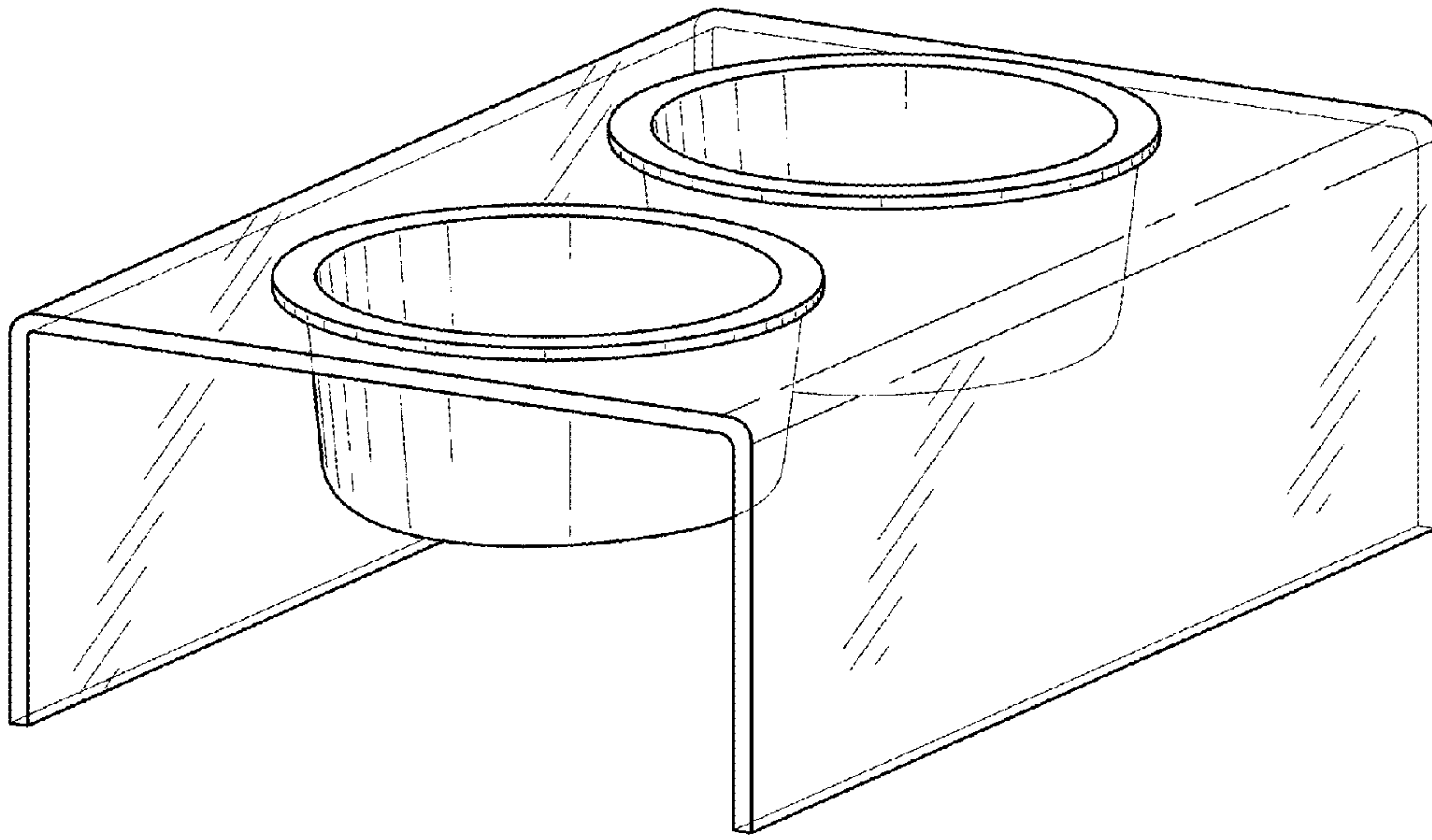


FIG. 1

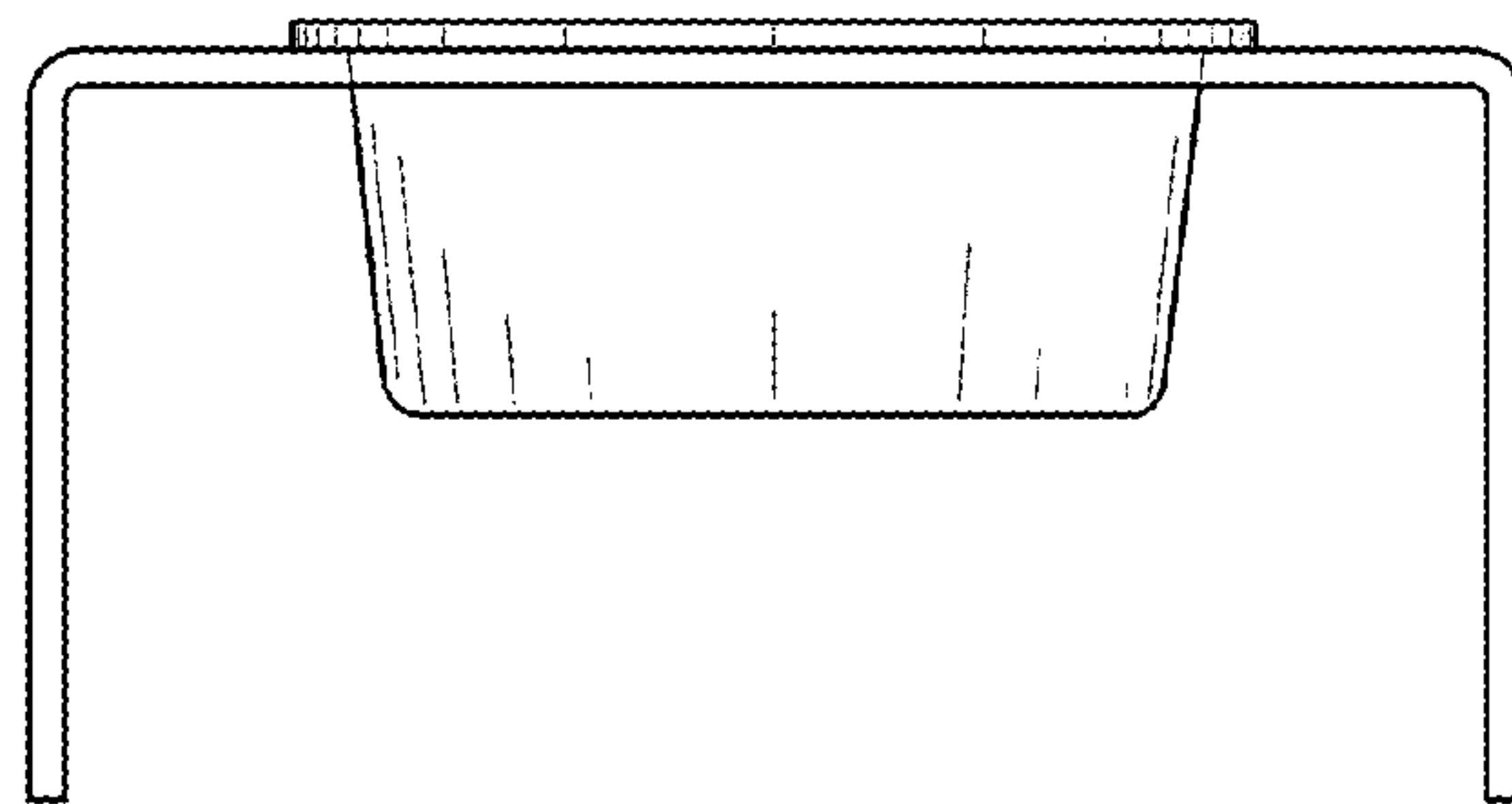


FIG. 2

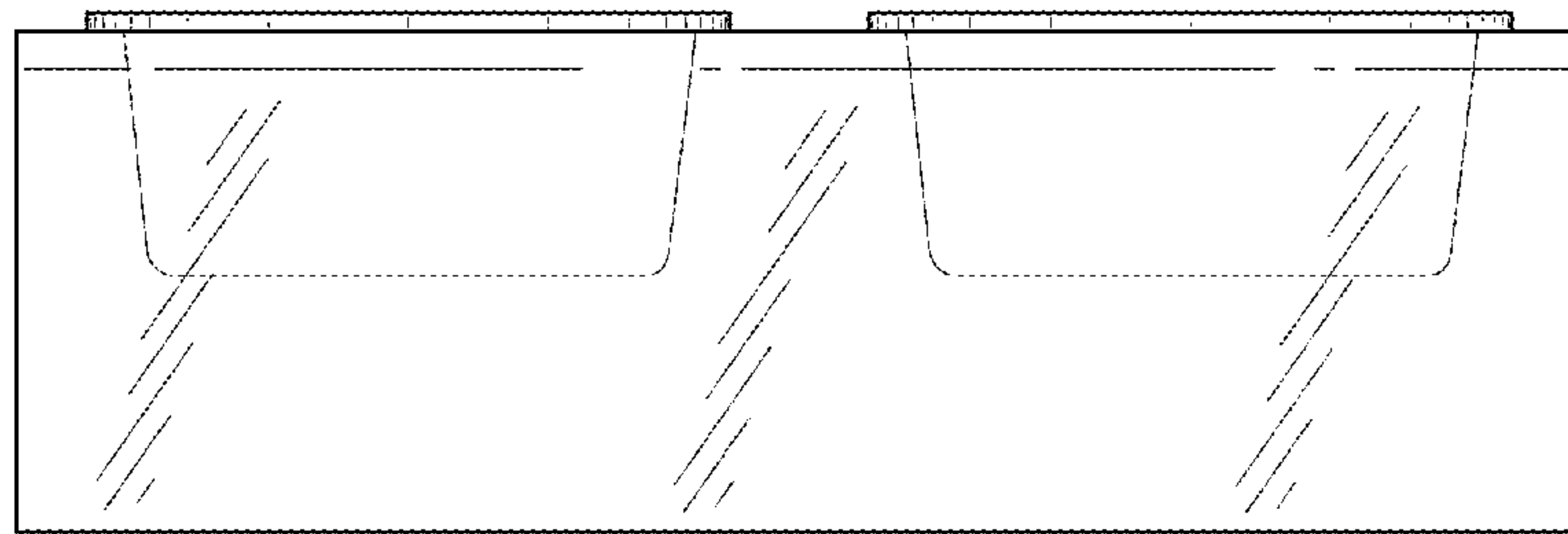


FIG. 3

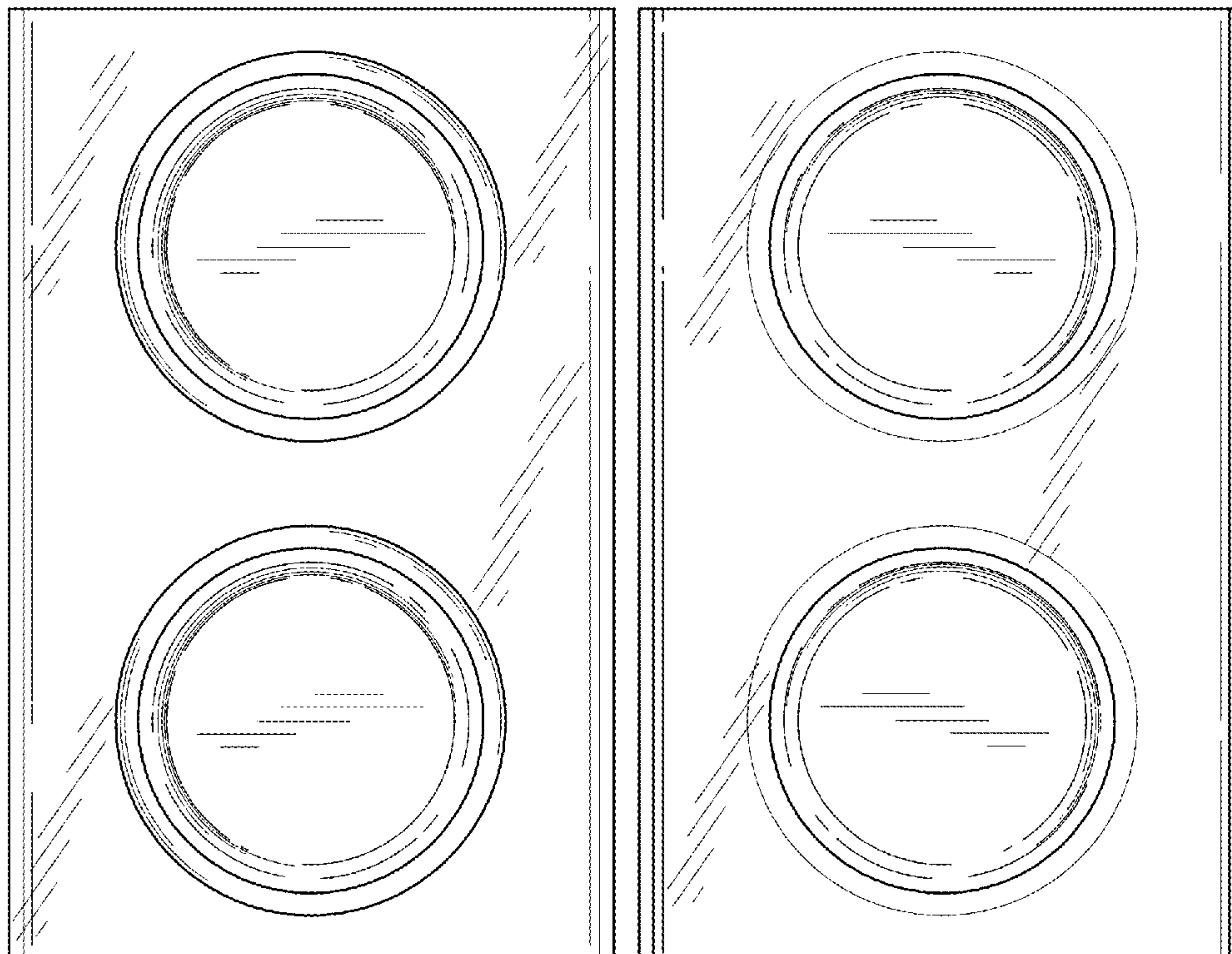


FIG. 4

FIG. 5

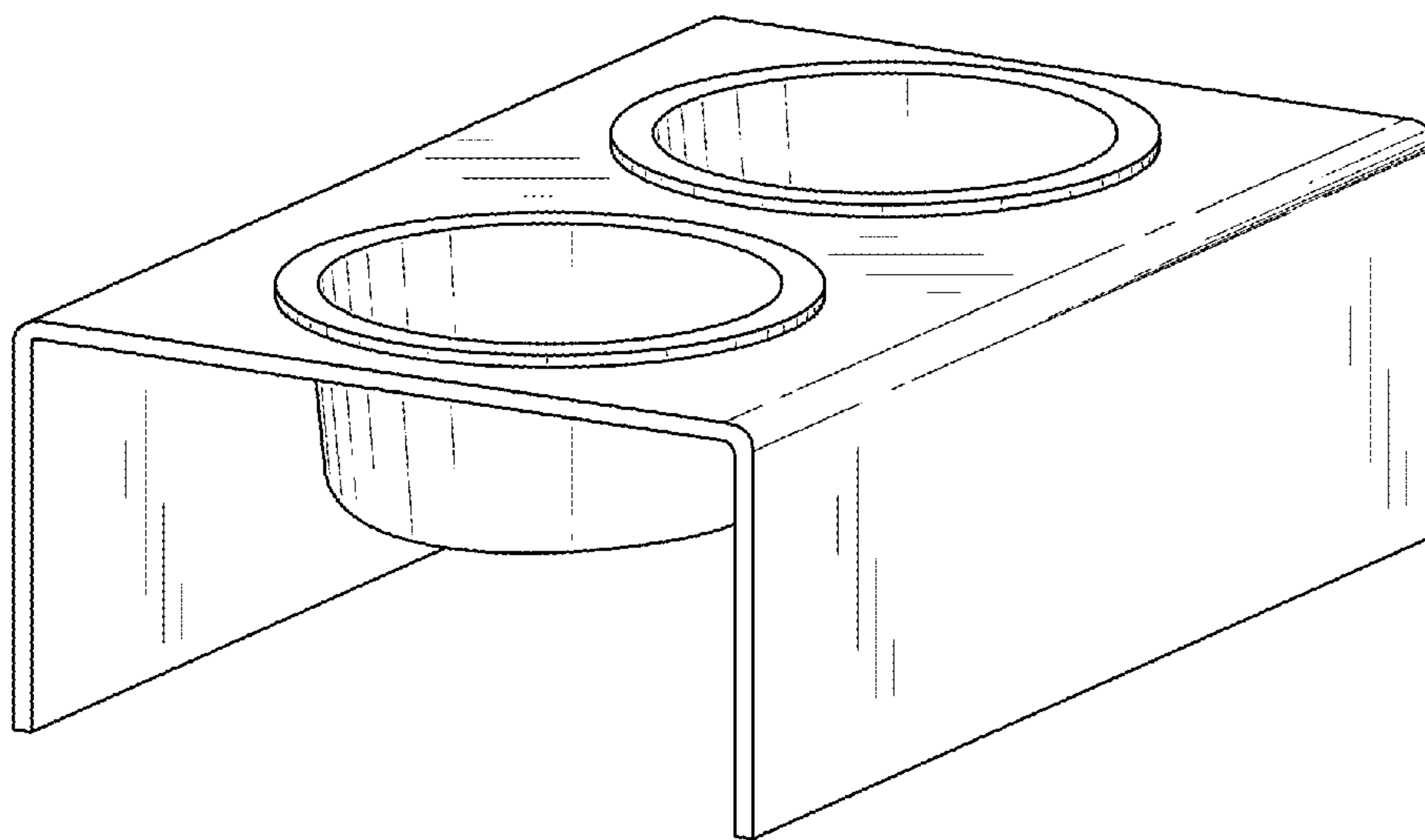


FIG. 6

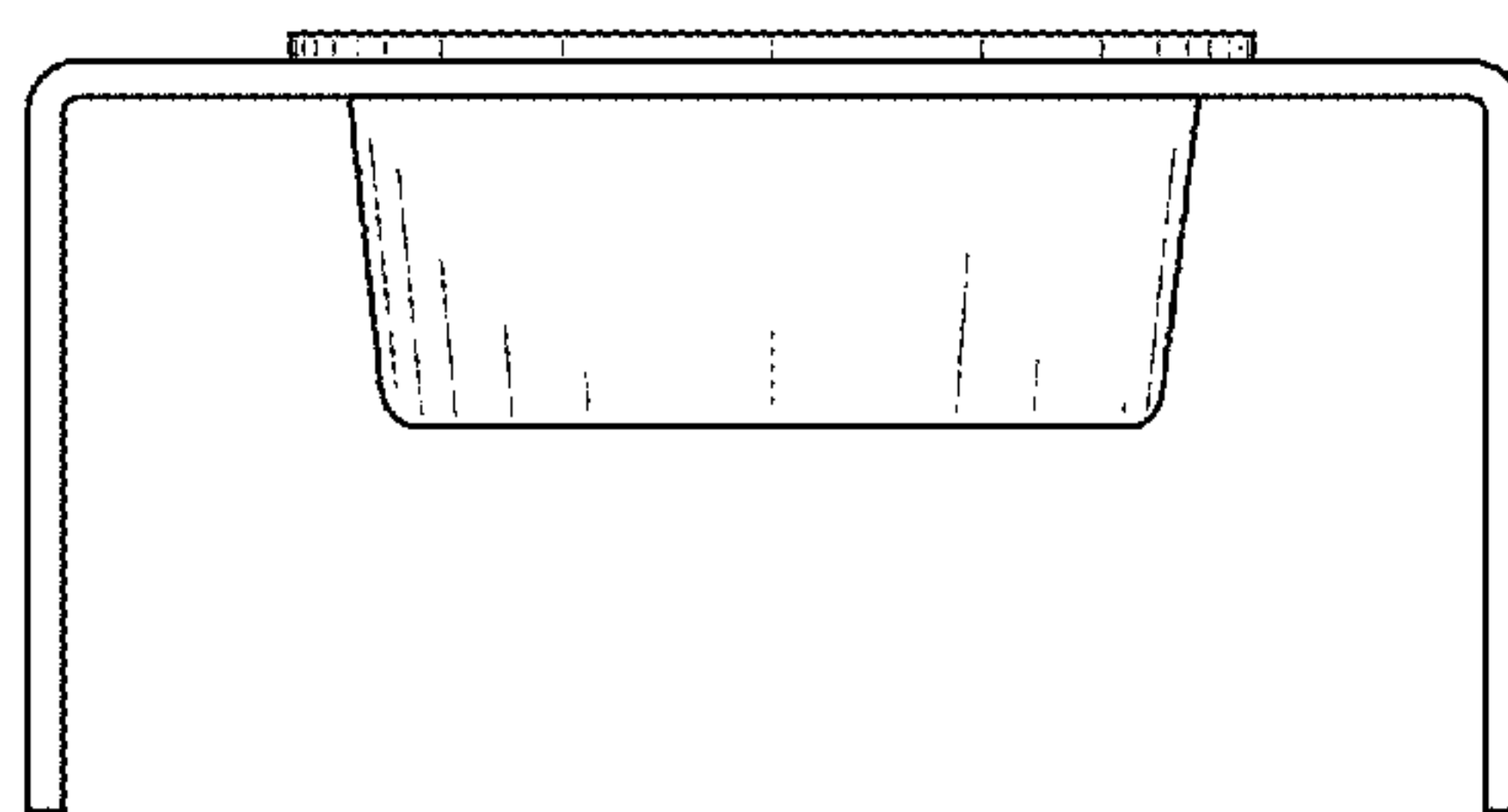


FIG. 7

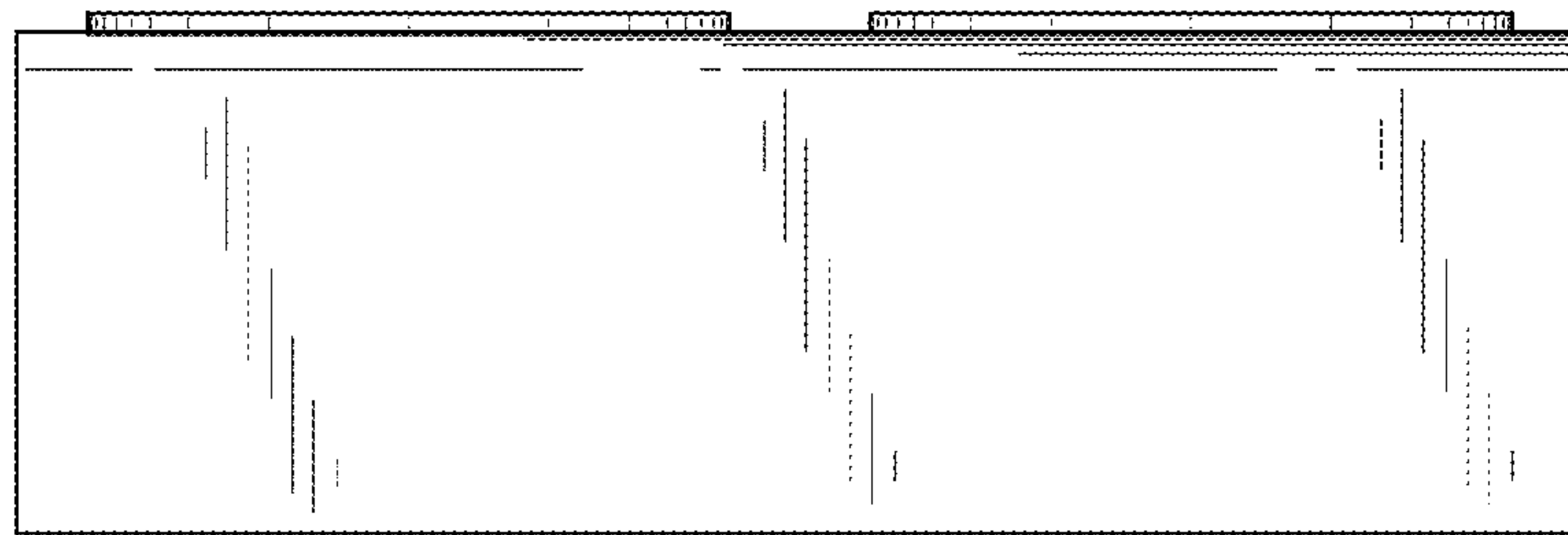


FIG. 8

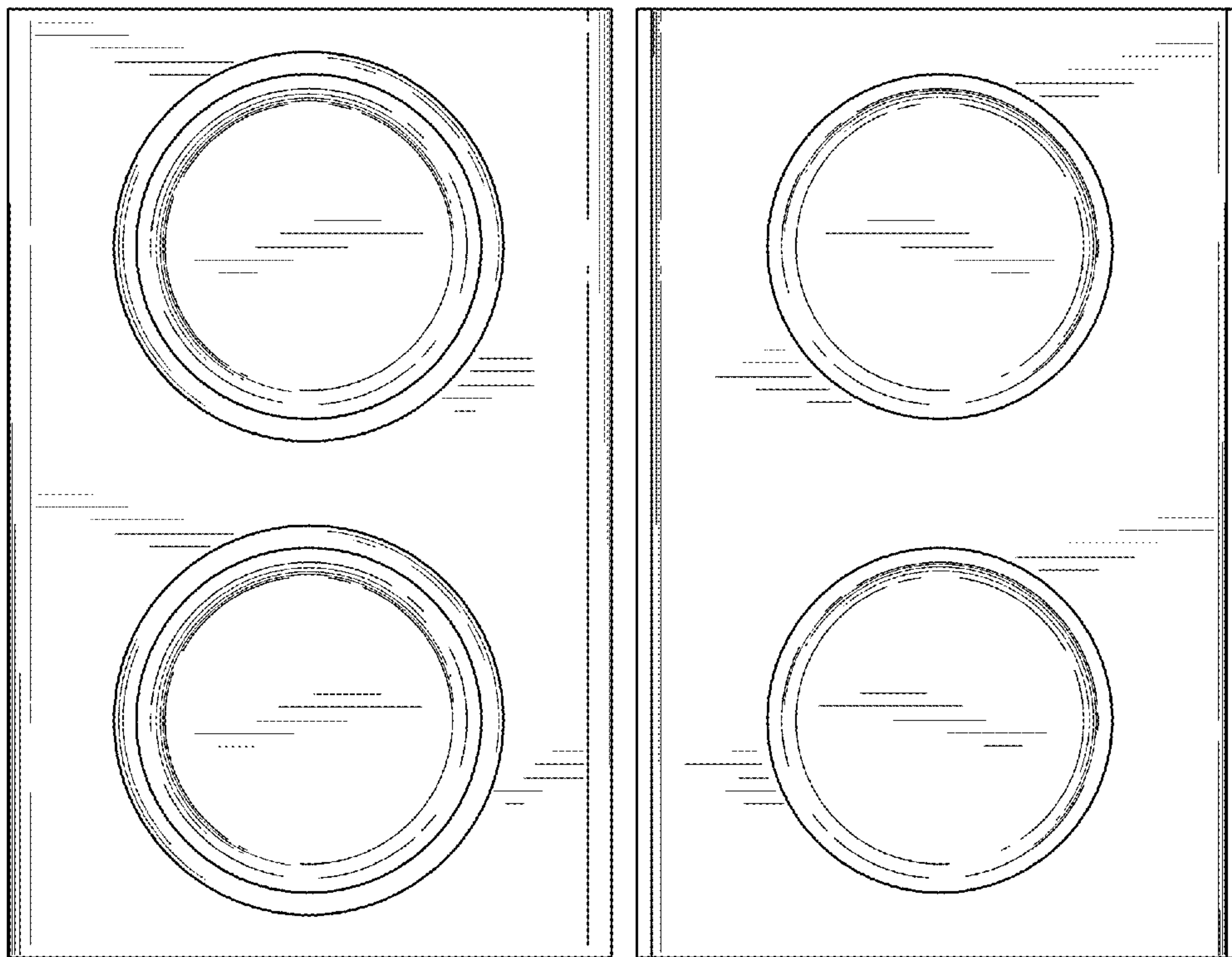


FIG. 9

FIG. 10

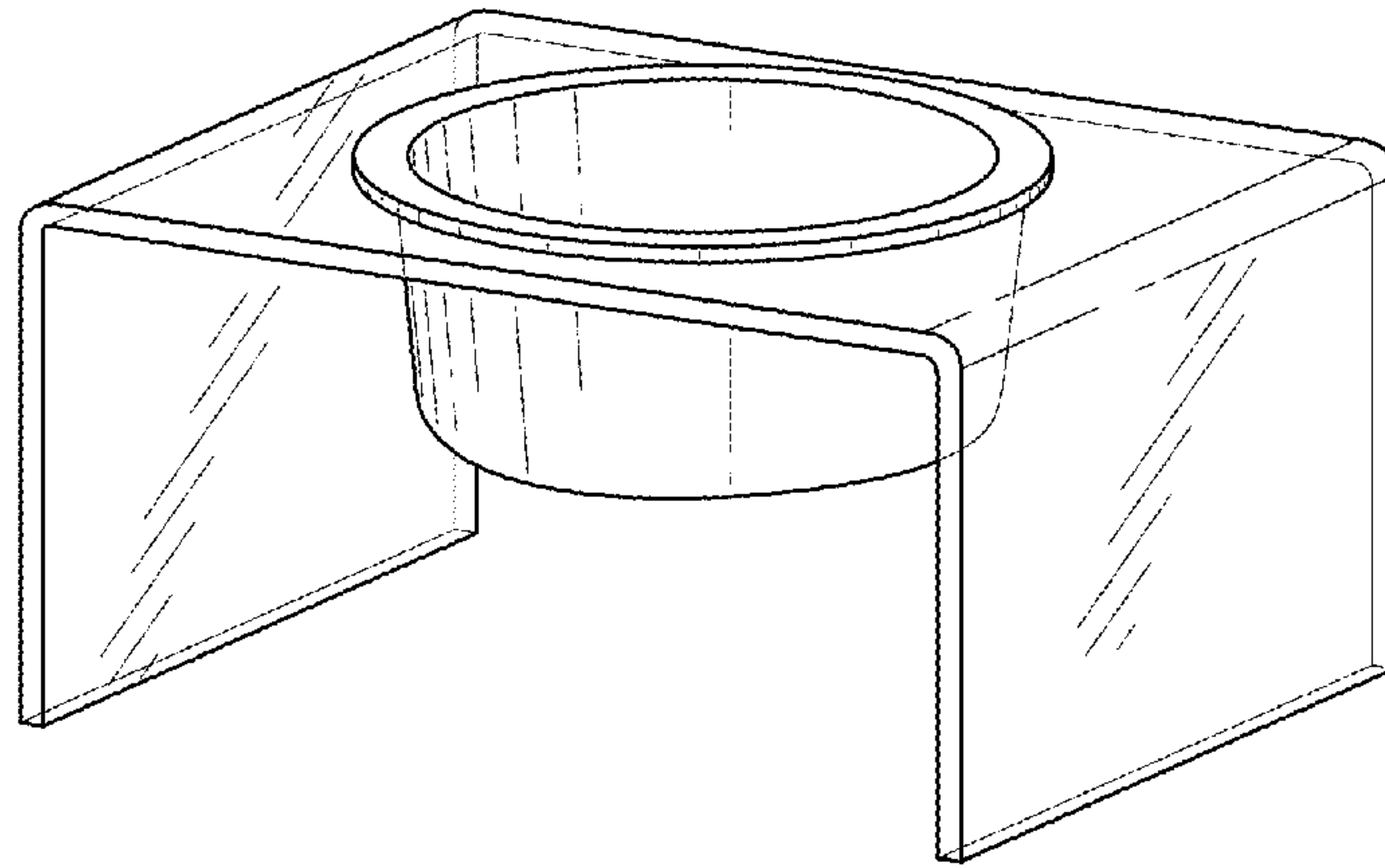


FIG. 11

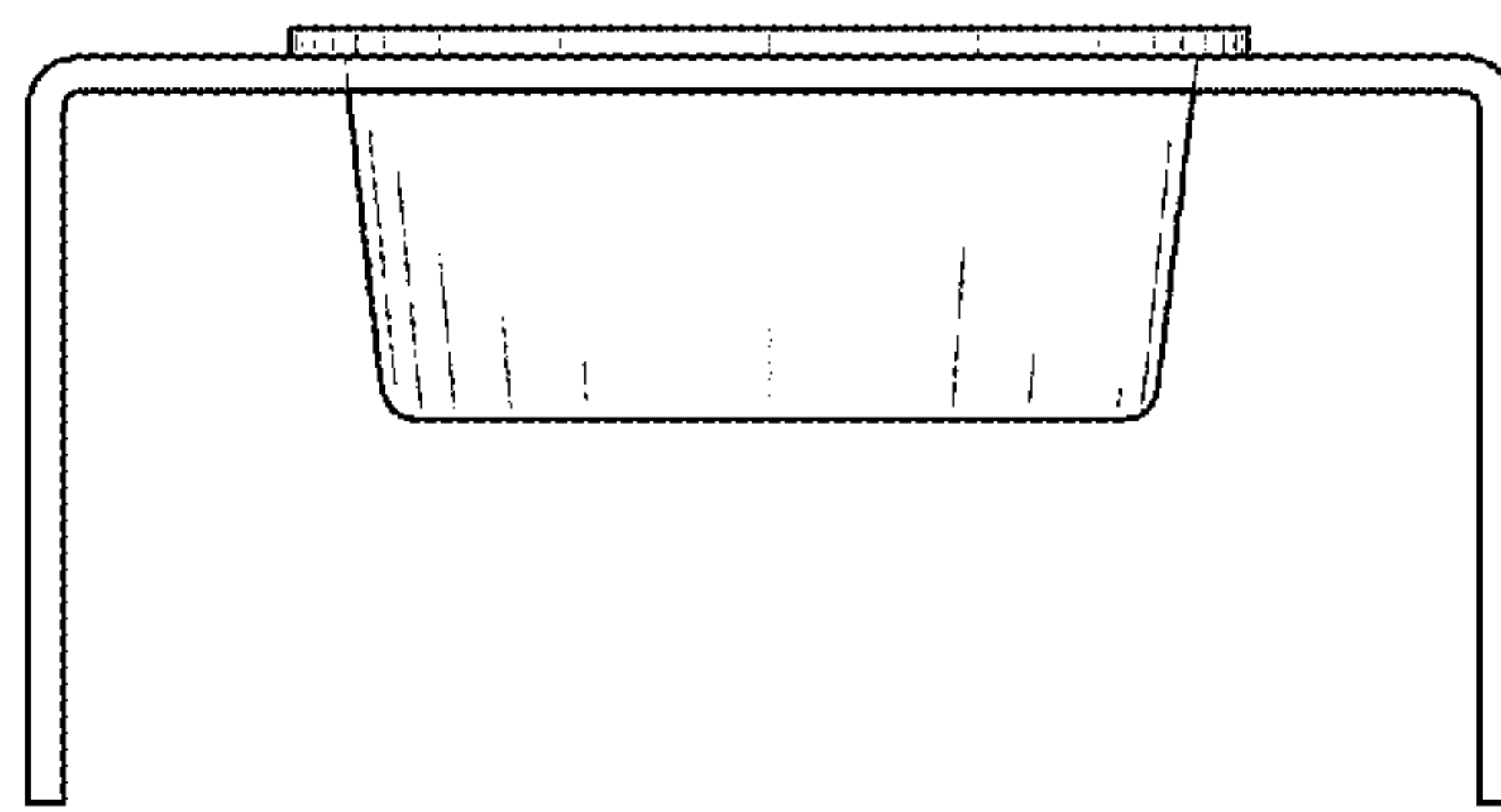


FIG. 12

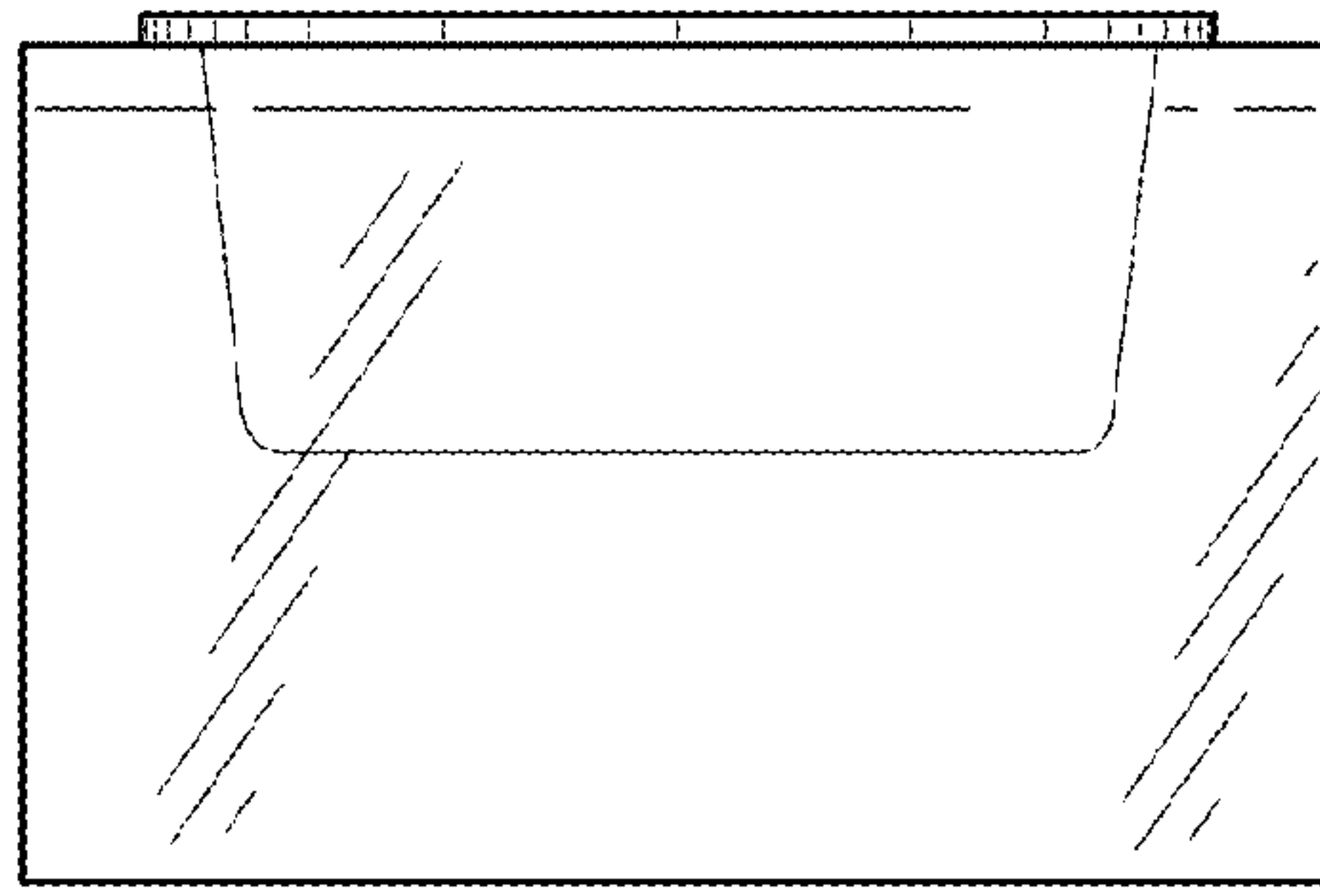


FIG. 13

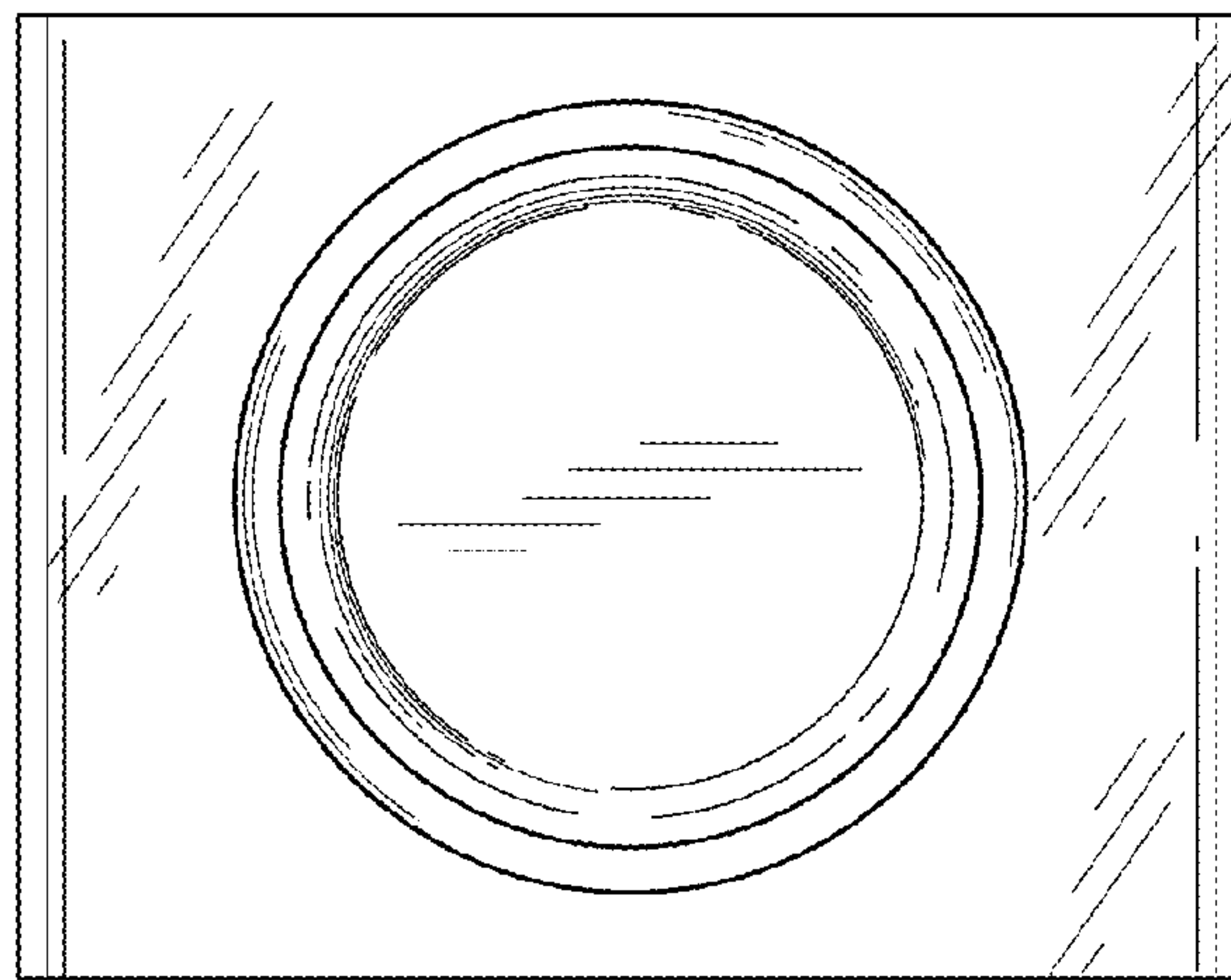


FIG. 14

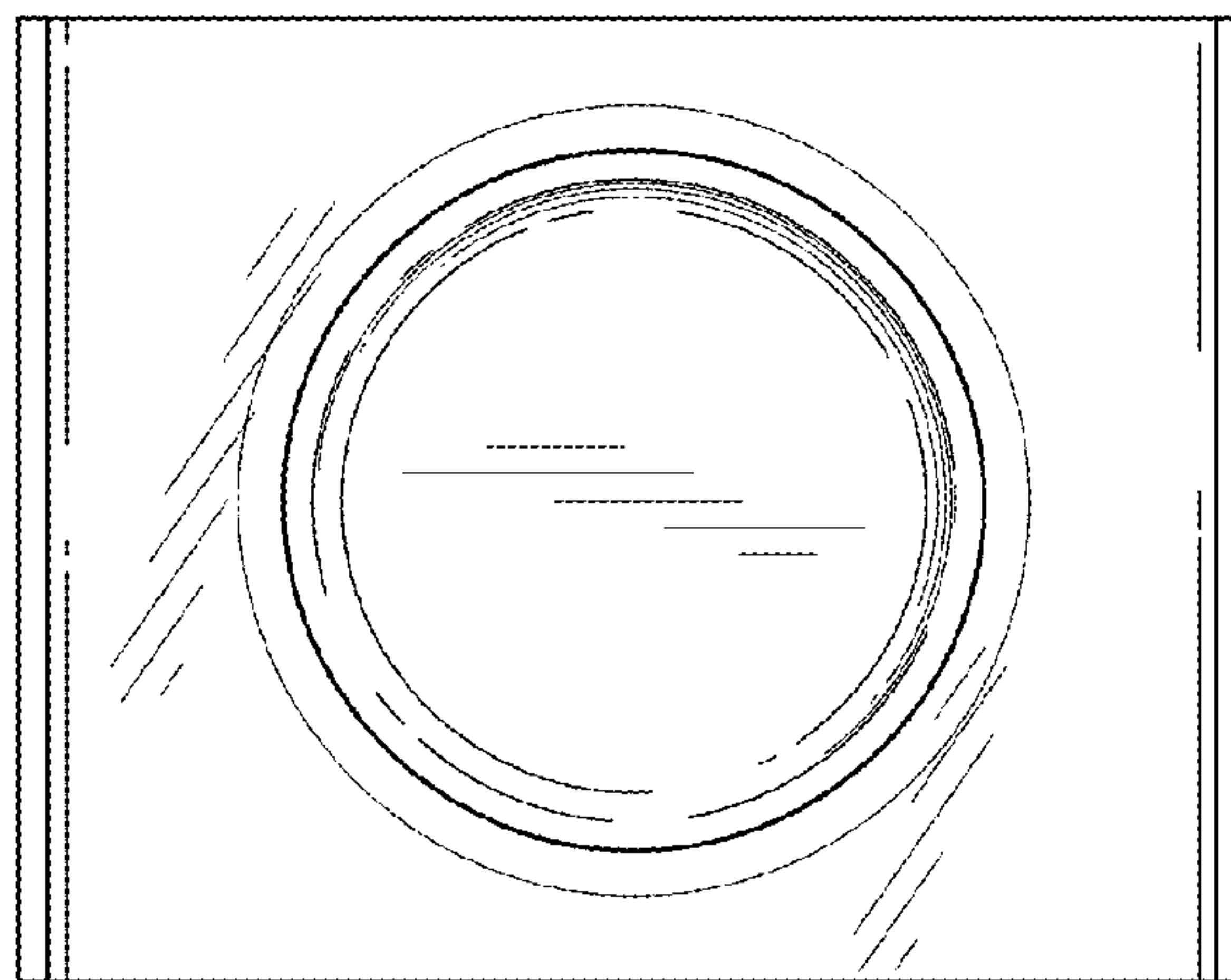


FIG. 15

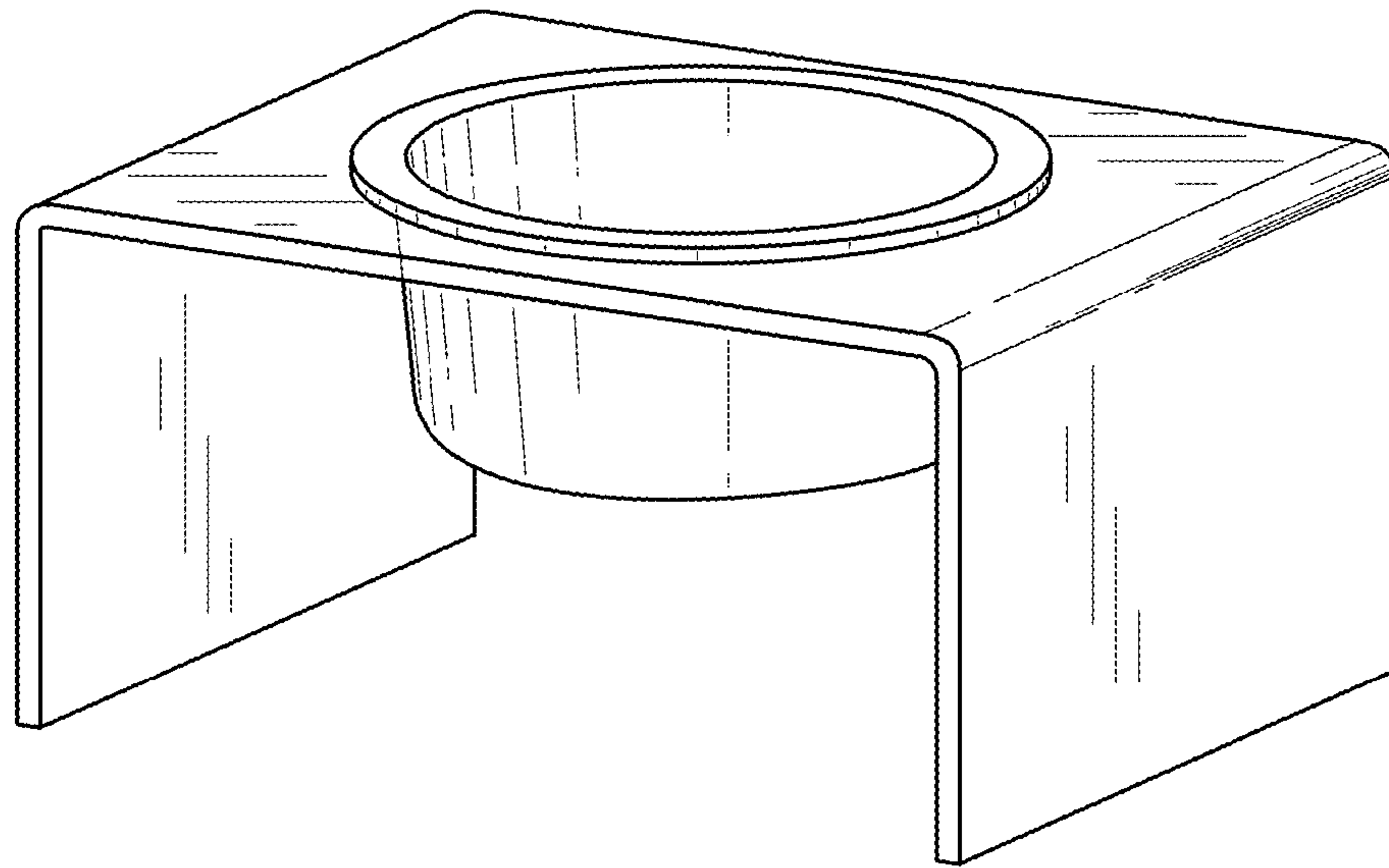


FIG. 16

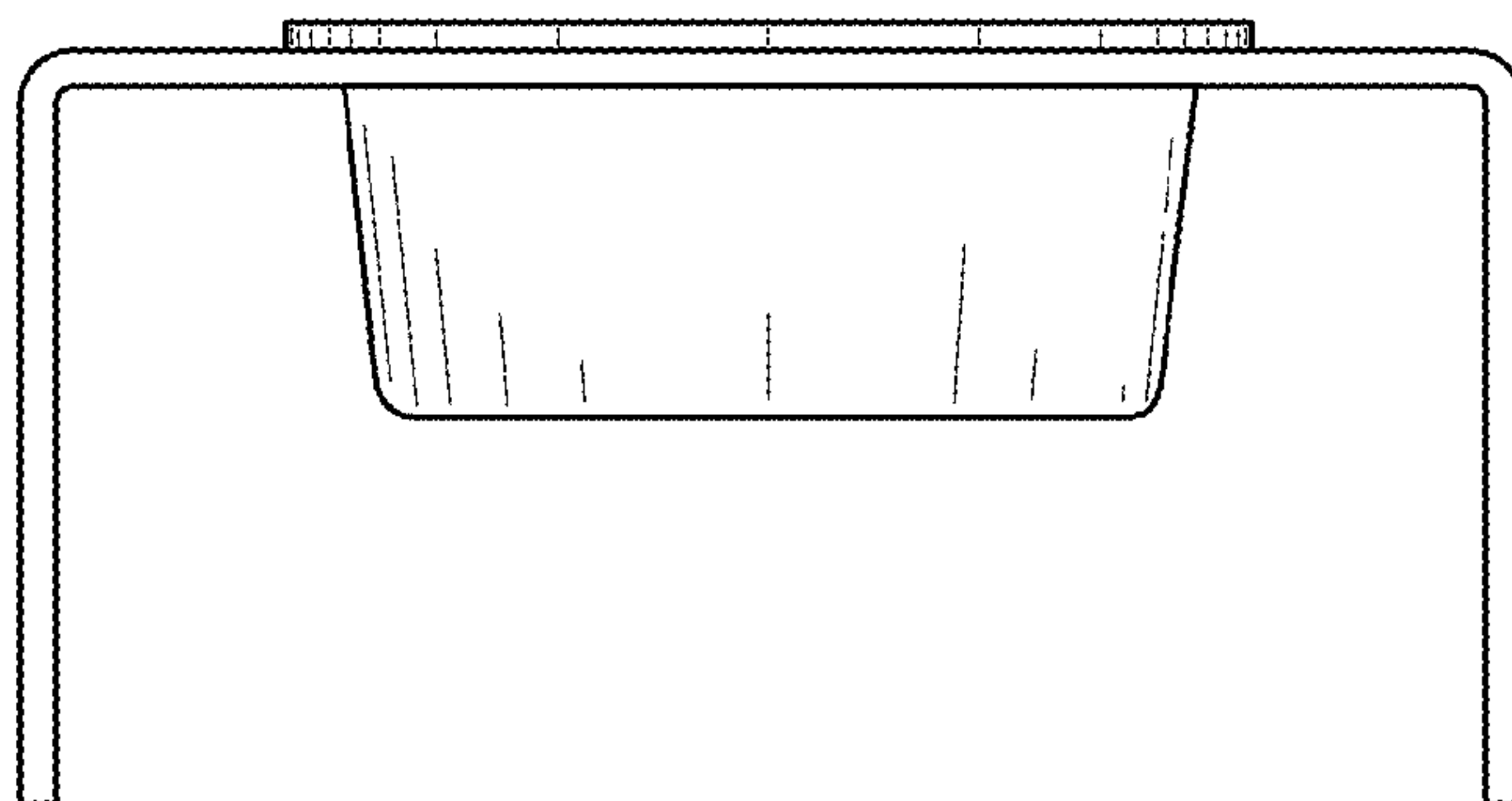


FIG. 17

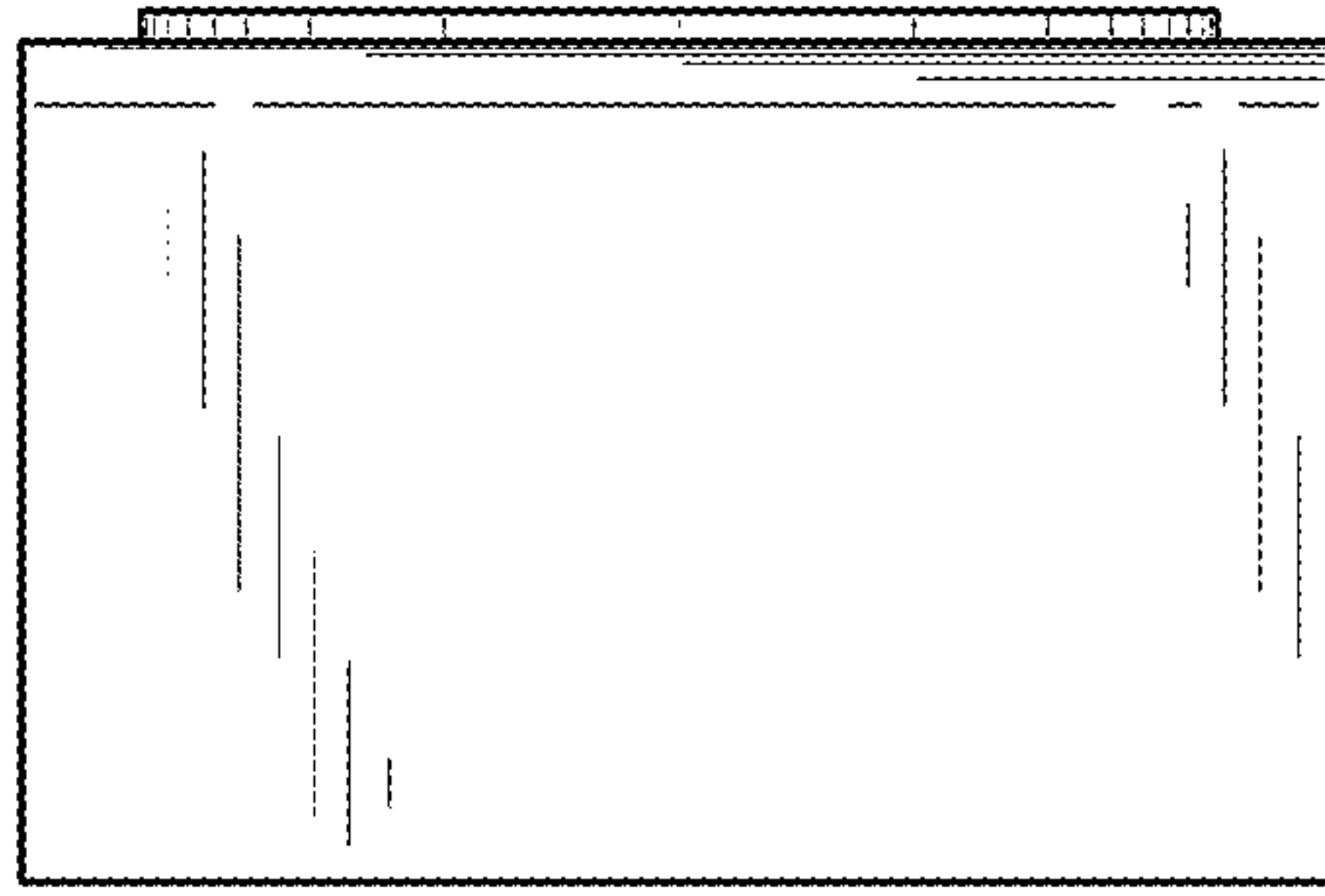


FIG. 18

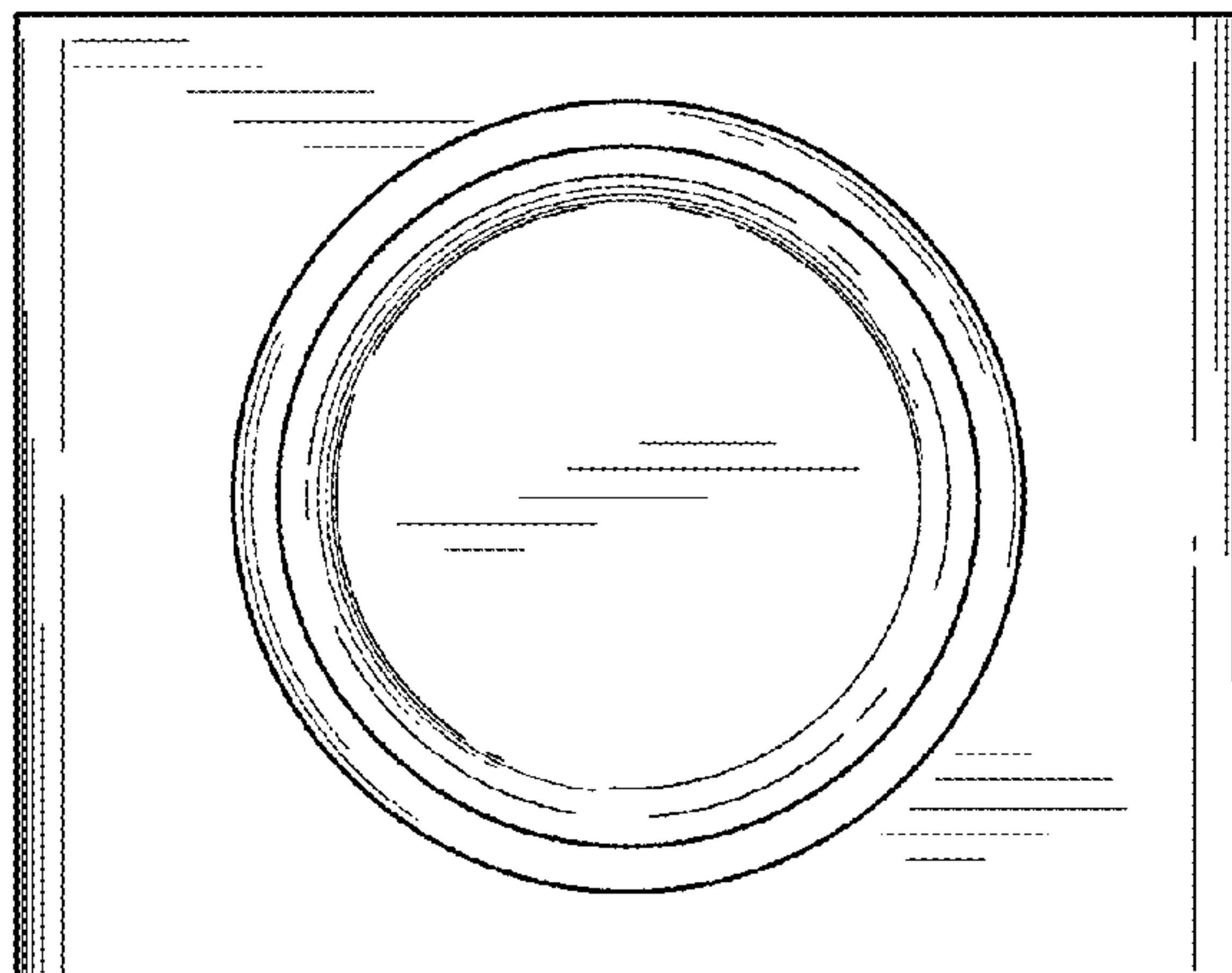


FIG. 19

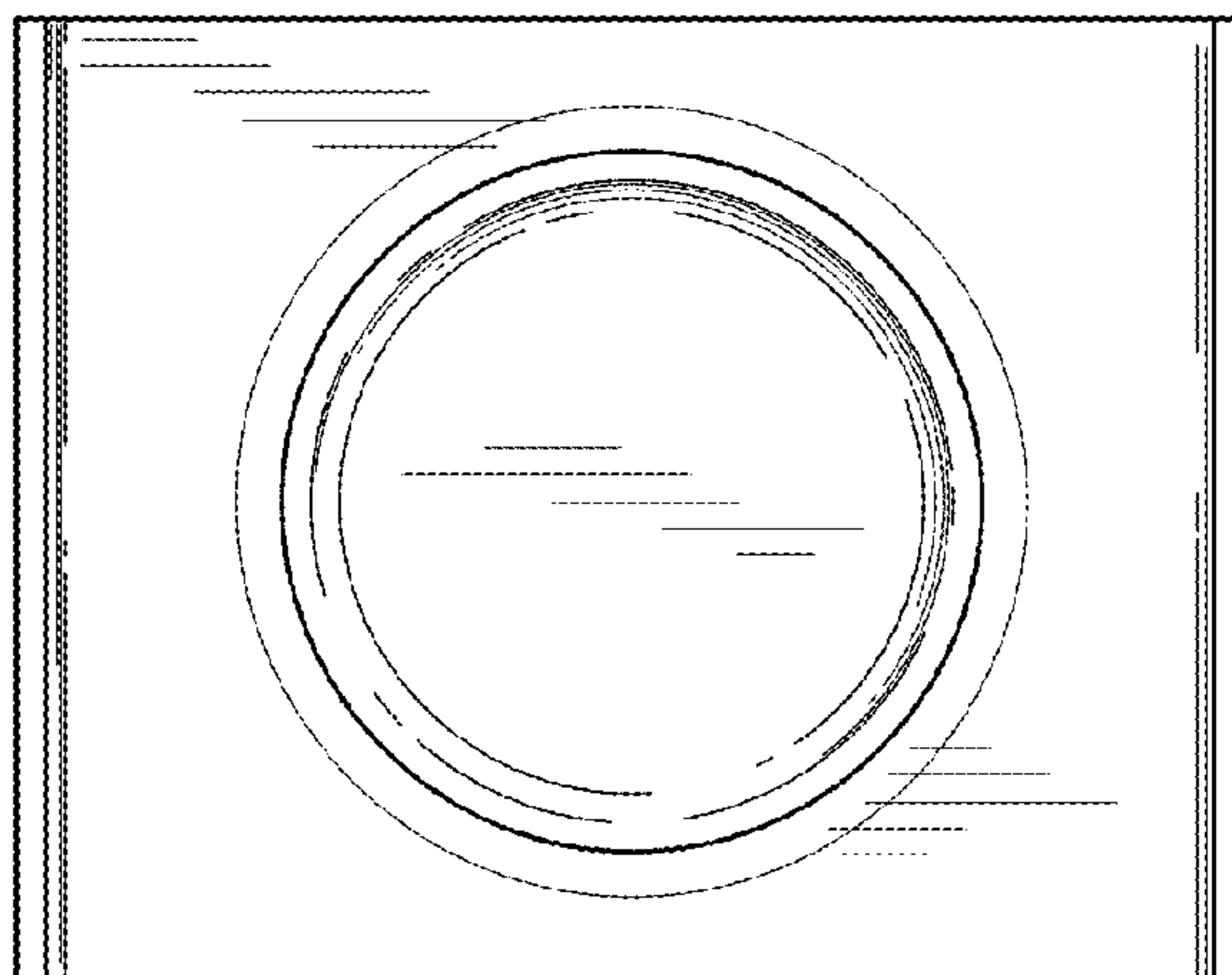


FIG. 20