



US00D682484S

(12) **United States Design Patent**
Selman

(10) **Patent No.:** **US D682,484 S**

(45) **Date of Patent:** **** May 14, 2013**

(54) **SELF-FILLING PET WATER BOWL**

(76) Inventor: **Peter Courtney Selman**, Jessup, MD
(US)

(**) Term: **14 Years**

(21) Appl. No.: **29/428,107**

(22) Filed: **Jul. 26, 2012**

(51) **LOC (9) Cl.** **30-03**

(52) **U.S. Cl.**
USPC **D30/132; D30/121; D30/129**

(58) **Field of Classification Search** D30/123,
D30/129, 132, 121; 119/69.5, 673, 57.8,
119/68, 74, 61.57, 78-81, 61.4, 57.9, 51.5,
119/61.5, 72; 47/66.6, 39, 67, 83; 239/27,
239/280, 200, 281, 280.5, 273, 16, 17, 20,
239/22; 4/644, 627, 638; D7/558; D11/144,
D11/145, 153; D99/5, 24; 27/1; D23/201,
D23/292; 248/127, 132, 137, 138, 158, 910;
215/10; D6/353, 352, 484, 360, 480, 488;
219/521; 329/442, 459

See application file for complete search history.

(56) **References Cited**

U.S. PATENT DOCUMENTS

867,621	A *	10/1907	Tannehill	119/77
1,069,943	A *	8/1913	Haffey	119/77
1,158,676	A *	11/1915	Furber	222/403
1,236,421	A *	8/1917	Furber	222/353
1,533,627	A *	4/1925	Averill	222/586
1,801,932	A *	4/1931	Miller	119/77
1,835,964	A *	12/1931	Pech et al.	119/77
1,851,278	A *	3/1932	Hearn	119/77
1,994,859	A *	3/1935	Langum	43/131
2,573,802	A *	11/1951	Mitchell	119/77
2,618,237	A *	11/1952	McDermott et al.	119/454
2,690,280	A *	9/1954	Henningsen	222/457
2,702,528	A *	2/1955	Lehmann	119/77
2,791,347	A *	5/1957	Boehm	
2,808,029	A *	10/1957	Geerlings	119/53.5

3,112,733	A *	12/1963	Arnott	119/77
3,720,184	A *	3/1973	Pearce	119/51.5
3,782,332	A *	1/1974	Depenthal et al.	
D232,658	S *	9/1974	Fassauer	D30/121
D232,847	S *	9/1974	Okubo	D30/121
3,920,224	A *	11/1975	Fassauer	366/131
4,329,940	A *	5/1982	Humphries	
4,573,434	A *	3/1986	Gardner	119/77
4,640,229	A *	2/1987	Swartzendruber	
			et al.	119/51.11
4,651,679	A *	3/1987	Fassauer	119/51.5
D294,750	S *	3/1988	Atchley	D30/132
4,840,143	A *	6/1989	Simon	119/52.1
D320,291	S *	9/1991	Dalton, Jr.	D30/121
D334,251	S *	3/1993	Tiu	D30/122
D351,689	S *	10/1994	VanSkiver	D30/121
5,353,739	A *	10/1994	Chu	119/51.03
D364,942	S *	12/1995	VanSkiver et al.	D30/121
D371,643	S *	7/1996	Lillelund et al.	D30/122
D374,109	S *	9/1996	Lillelund et al.	D30/121

(Continued)

Primary Examiner — Susan Moon Lee

(74) *Attorney, Agent, or Firm* — Rosenberg, Klein & Lee

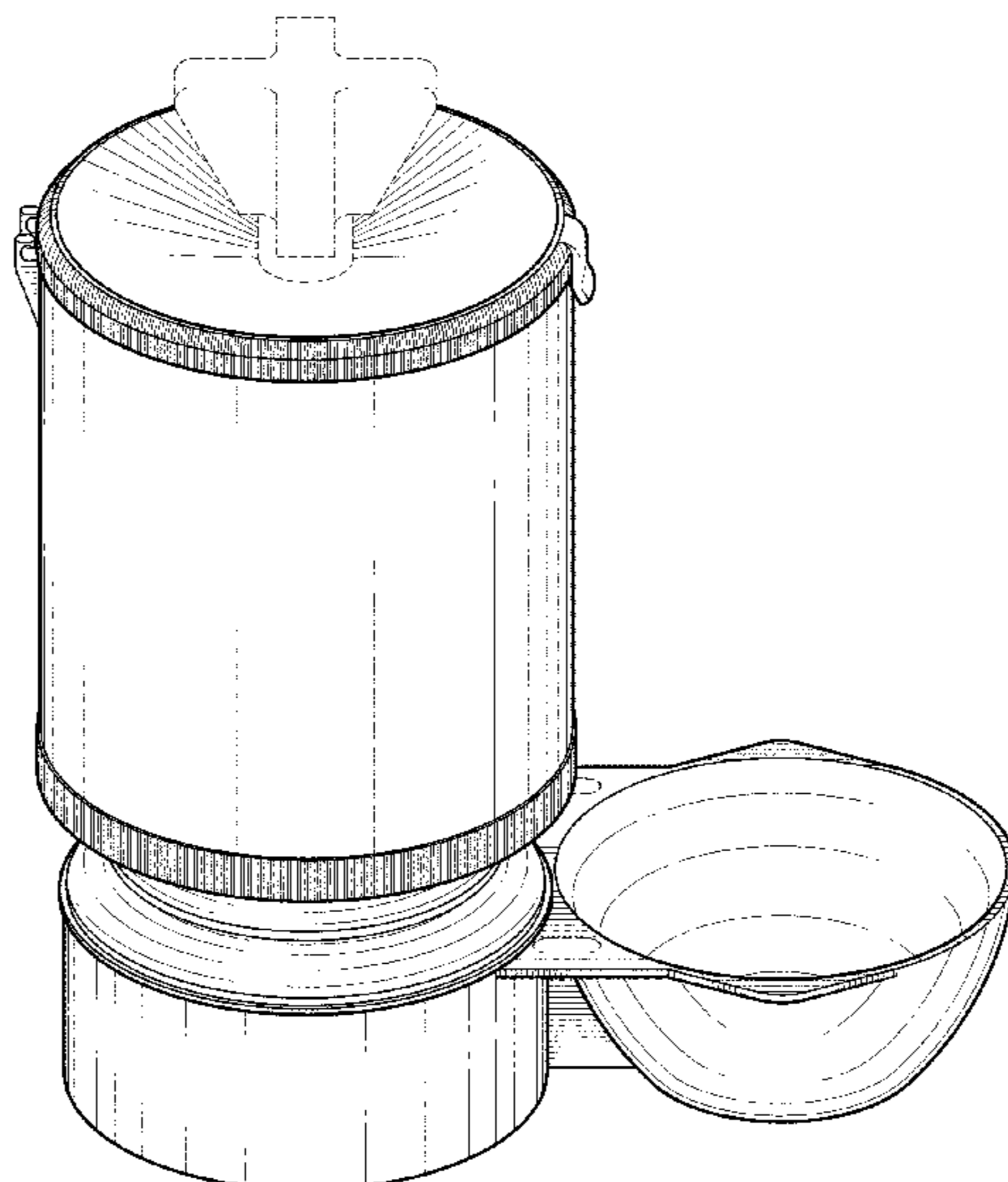
(57) **CLAIM**

The ornamental design for a “self-filling pet water bowl,” as shown and described.

DESCRIPTION

FIG. 1 is a perspective view of a self-filling pet water bowl showing my new design;
FIG. 2 is front elevation view thereof;
FIG. 3 is a rear elevation view thereof;
FIG. 4 is a right side elevation view thereof;
FIG. 5 is a left side elevation view thereof;
FIG. 6 is a top plan view thereof;
FIG. 7 is a bottom plan view thereof, and,
FIG. 8 is front elevation view thereof, partially cut-away to reveal details of the top.
The portions in broken line are not claimed.

1 Claim, 8 Drawing Sheets



US D682,484 S

U.S. PATENT DOCUMENTS

D374,516	S *	10/1996	Lillelund et al.	D30/132	7,267,078	B2	9/2007	Palett et al.
D383,797	S *	9/1997	Finnegan	D30/132	7,270,082	B2	9/2007	Plante
5,682,932	A	11/1997	Ediger		7,328,818	B2 *	2/2008	Prabucki 222/146.6
5,687,783	A *	11/1997	Finnegan	141/364	D563,605	S *	3/2008	Morris et al. D30/122
5,699,753	A *	12/1997	Aldridge, III	119/52.1	D574,574	S *	8/2008	Bax
5,711,248	A *	1/1998	Boyd	119/77	D584,109	S *	1/2009	Krog
D393,108	S *	3/1998	Atchley	D30/121	7,490,739	B2 *	2/2009	Prabucki 222/146.6
5,730,082	A *	3/1998	Newman	119/51.5	D611,760	S *	3/2010	Ball
5,809,934	A	9/1998	Gavet		D612,658	S *	3/2010	Schenk
5,839,466	A	11/1998	Dutter		D625,144	S *	10/2010	Moore et al. D7/384
5,845,600	A *	12/1998	Mendes	119/51.5	D632,606	S *	2/2011	Jalet
D406,924	S *	3/1999	Kolozsvari	D30/121	D633,659	S *	3/2011	Lai
D406,926	S	3/1999	Kolozsvari		7,895,973	B1 *	3/2011	Whelan 119/51.02
5,896,700	A	4/1999	McGough		7,946,249	B2	5/2011	Colvin et al.
5,924,382	A	7/1999	Shumaker		D642,335	S	7/2011	Weber
6,079,361	A *	6/2000	Bowell et al.	119/72	7,984,694	B2 *	7/2011	Wu et al. 119/51.02
D432,279	S *	10/2000	Kim	D30/121	D645,286	S *	9/2011	Porebski et al. D7/306
6,234,111	B1 *	5/2001	Ulman et al.	119/54	D645,301	S *	9/2011	Tse
6,401,657	B1 *	6/2002	Krishnamurthy	119/51.11	8,011,324	B1	9/2011	Warganich
6,453,607	B1	9/2002	Dewey		8,104,431	B2	1/2012	Klenotiz
6,463,880	B1	10/2002	Callingham		D655,053	S	2/2012	Weber
6,467,428	B1 *	10/2002	Andrisin et al.	119/51.5	D664,304	S *	7/2012	Whelan D30/122
6,477,981	B1 *	11/2002	Harper	119/52.4	8,245,665	B2 *	8/2012	Willett 119/51.5
D488,344	S *	4/2004	Seum et al.	D7/384	8,272,350	B1 *	9/2012	England 119/52.1
6,739,284	B1 *	5/2004	Olive	119/74	D671,356	S *	11/2012	Huang et al. D7/386
6,748,898	B2 *	6/2004	Ulman et al.	119/57.92	2002/0096120	A1 *	7/2002	Busha 119/51.5
6,789,503	B1 *	9/2004	Gao	119/51.11	2004/0118356	A1 *	6/2004	Krishnamurthy 119/74
6,880,484	B1 *	4/2005	Lee	119/74	2005/0160995	A1	7/2005	Graves, Jr.
6,928,954	B2 *	8/2005	Krishnamurthy	119/51.5	2005/0217591	A1 *	10/2005	Turner et al. 119/51.02
6,971,331	B1	12/2005	Rohrer		2005/0252457	A1 *	11/2005	Morosin et al. 119/51.13
7,040,249	B1 *	5/2006	Mushen	119/51.5	2007/0012253	A1 *	1/2007	Zheng
7,082,971	B2	8/2006	Gauthier		2007/0193524	A1 *	8/2007	Turner et al. 119/51.02
D529,220	S *	9/2006	Izardel	D26/94	2008/0202436	A1 *	8/2008	Romeu Guardia 119/52.1
D532,251	S *	11/2006	Kassenaar	D7/378	2009/0173282	A1 *	7/2009	Wu et al. 119/51.02
D537,353	S *	2/2007	Bailey et al.	D9/540	2010/0122660	A1 *	5/2010	Willett 119/51.5
D540,492	S *	4/2007	Gorr	D30/131	2010/0170839	A1	7/2010	Kohl
7,228,816	B2 *	6/2007	Turner et al.	119/51.02	2011/0197819	A1 *	8/2011	Montgomery 119/51.11

* cited by examiner

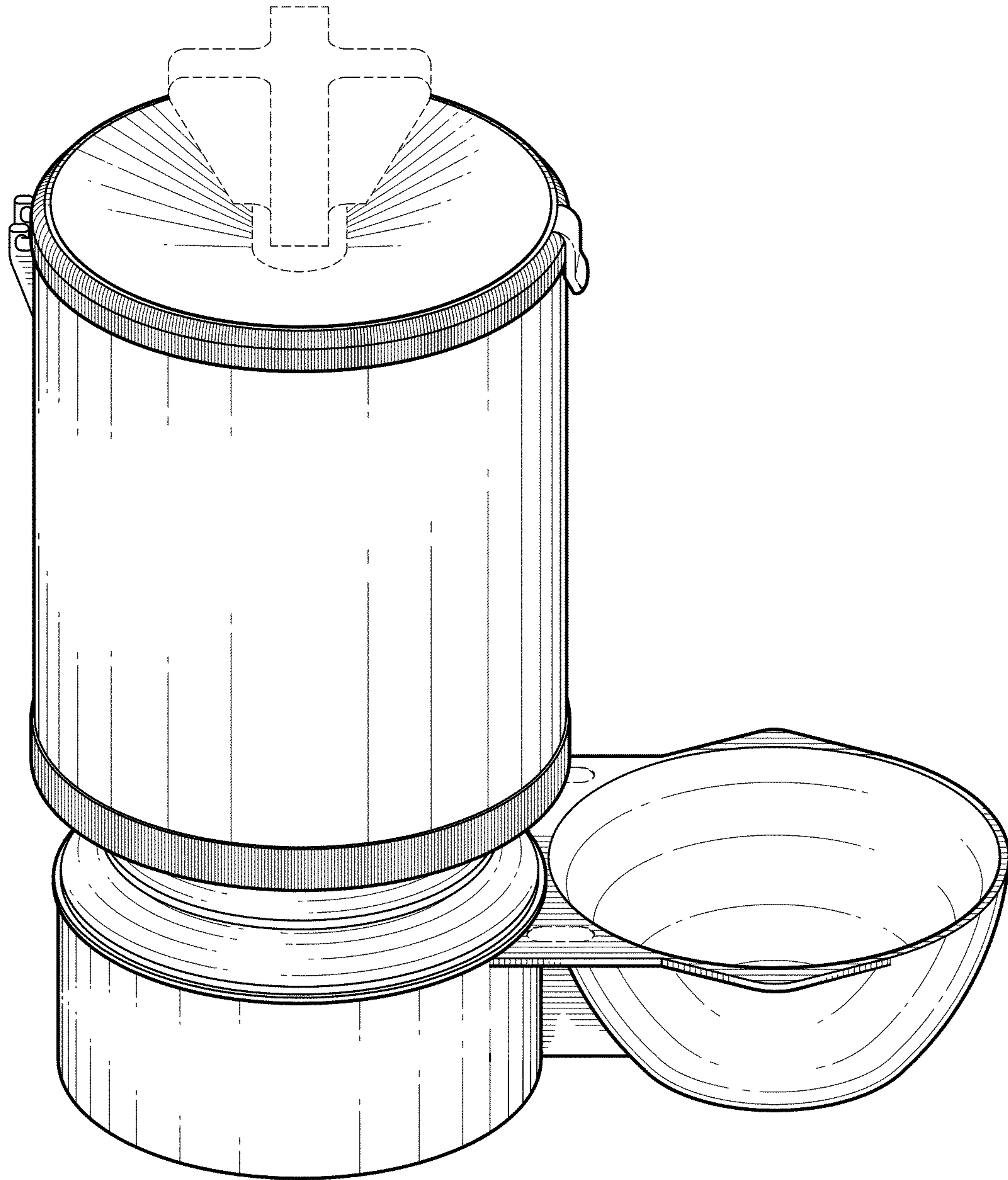


FIG. 1

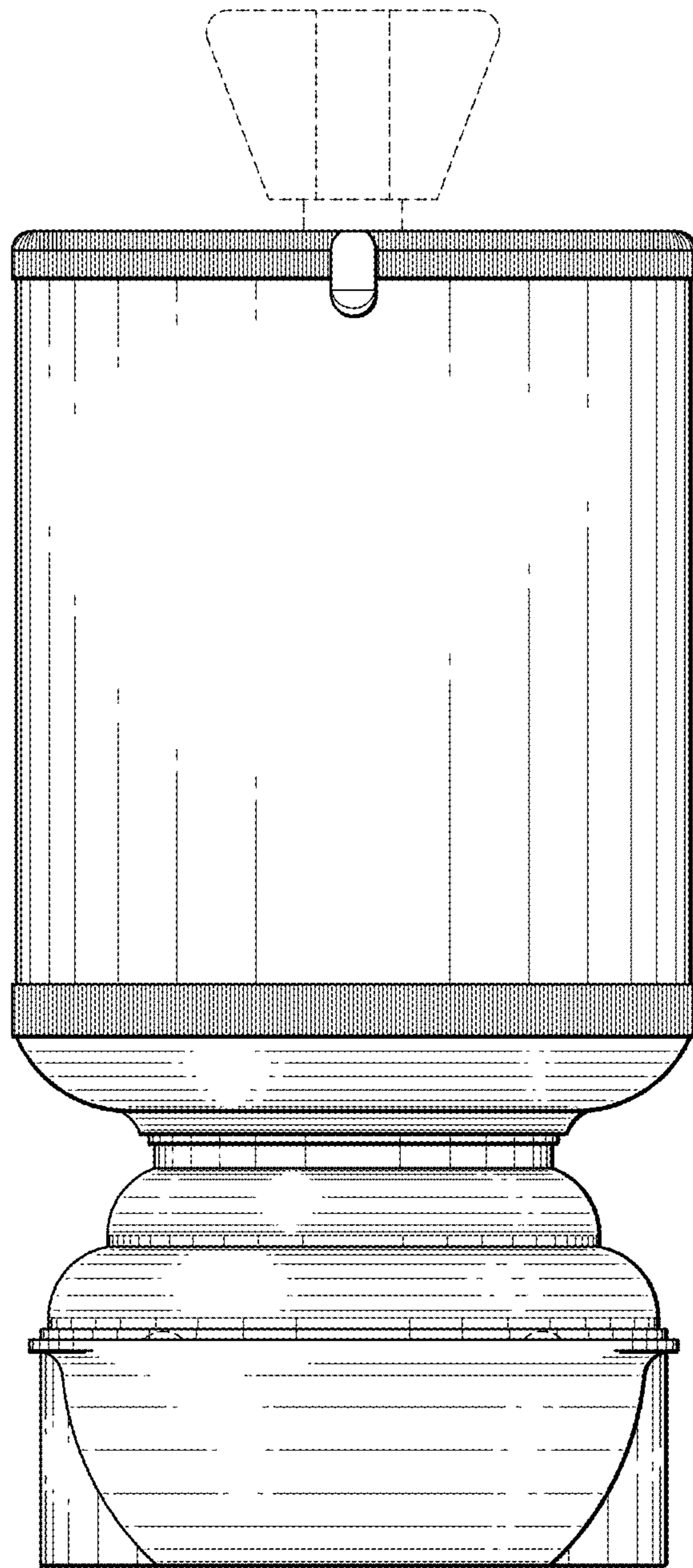


FIG. 2

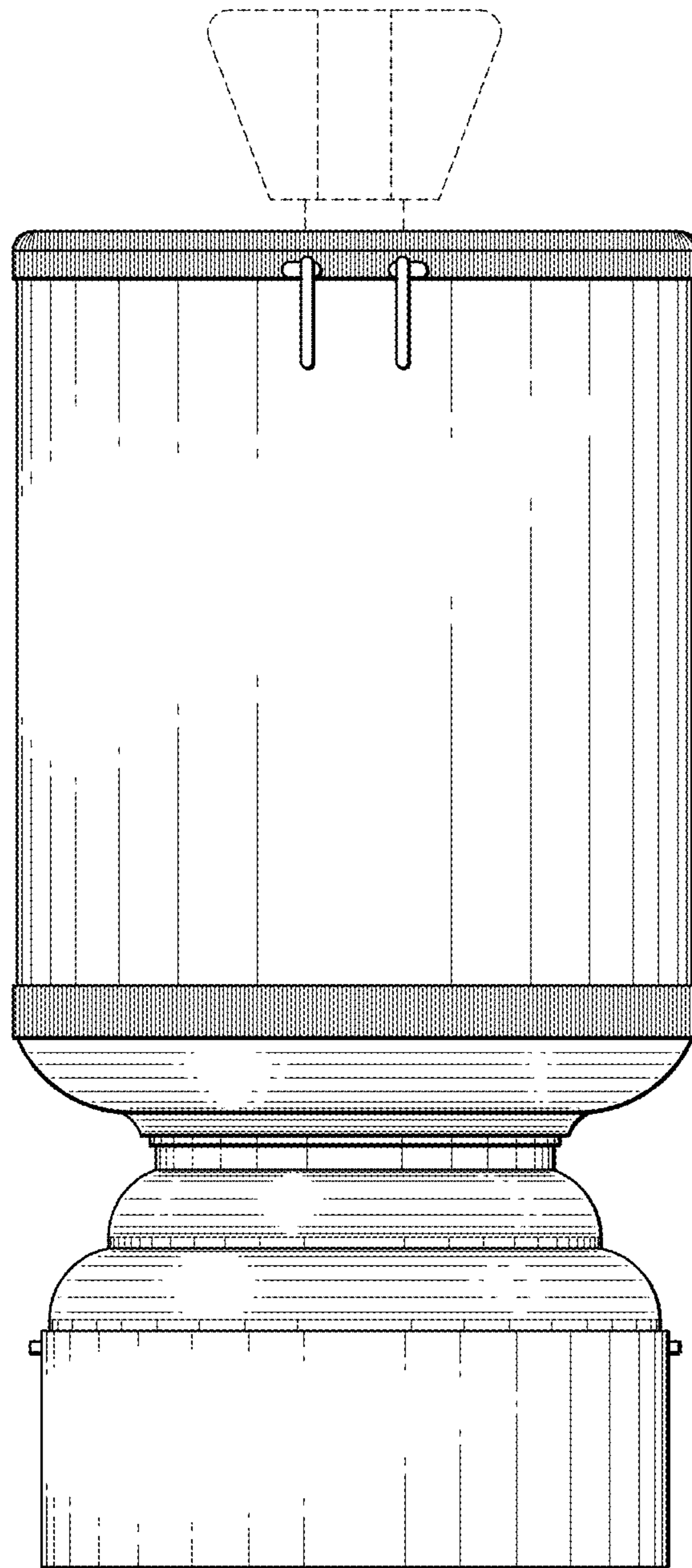


FIG. 3

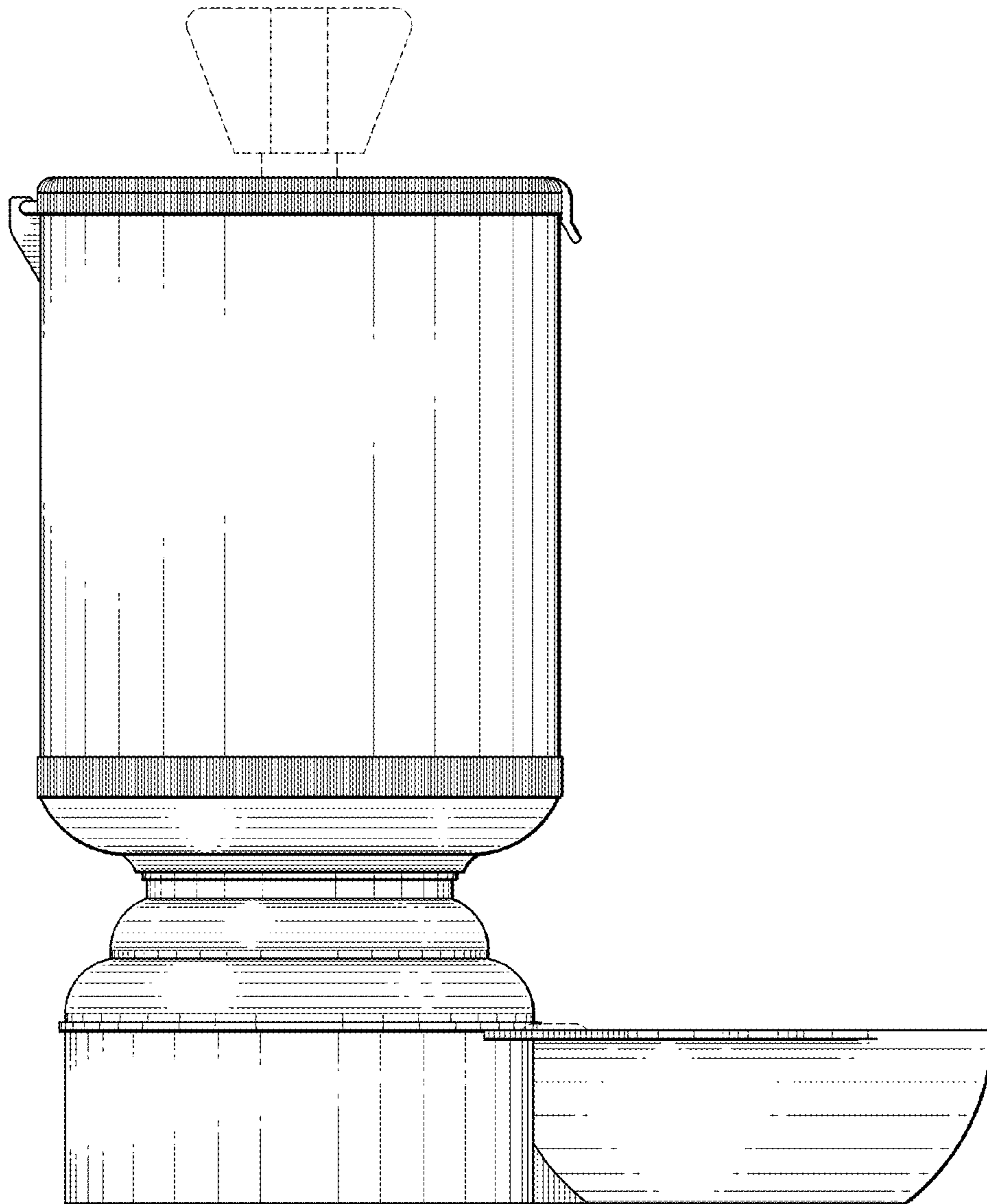


FIG. 4

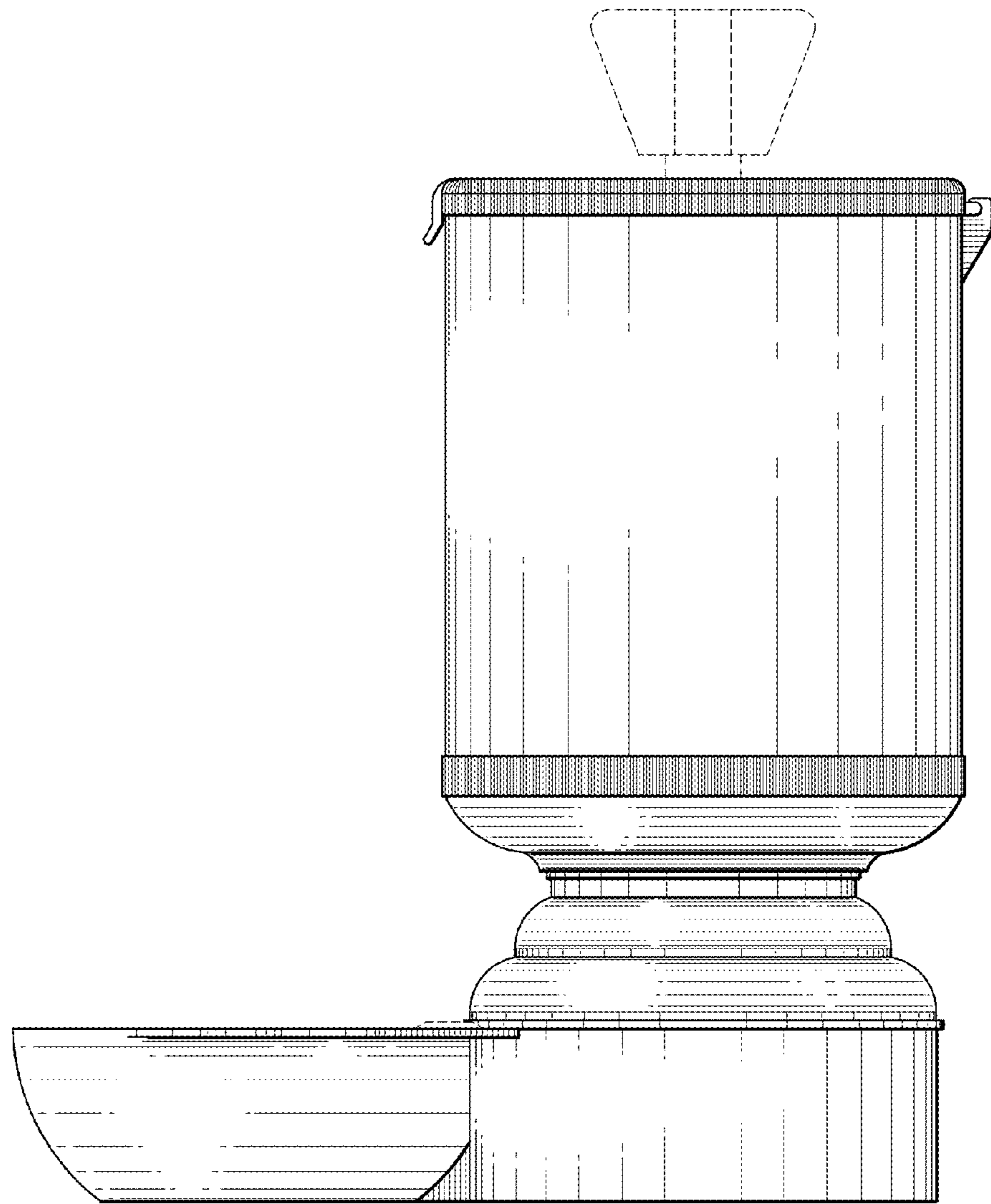


FIG. 5

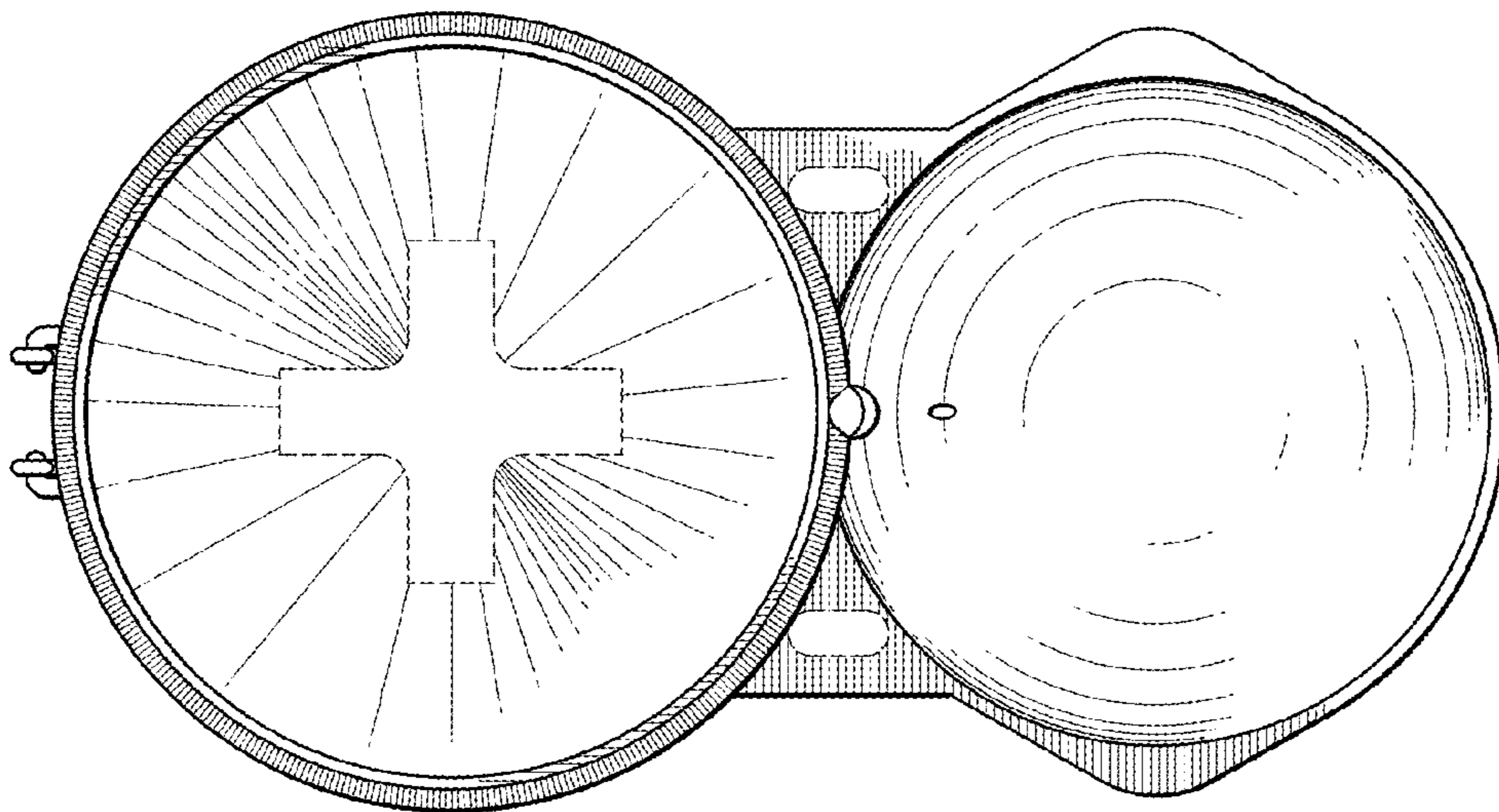


FIG. 6

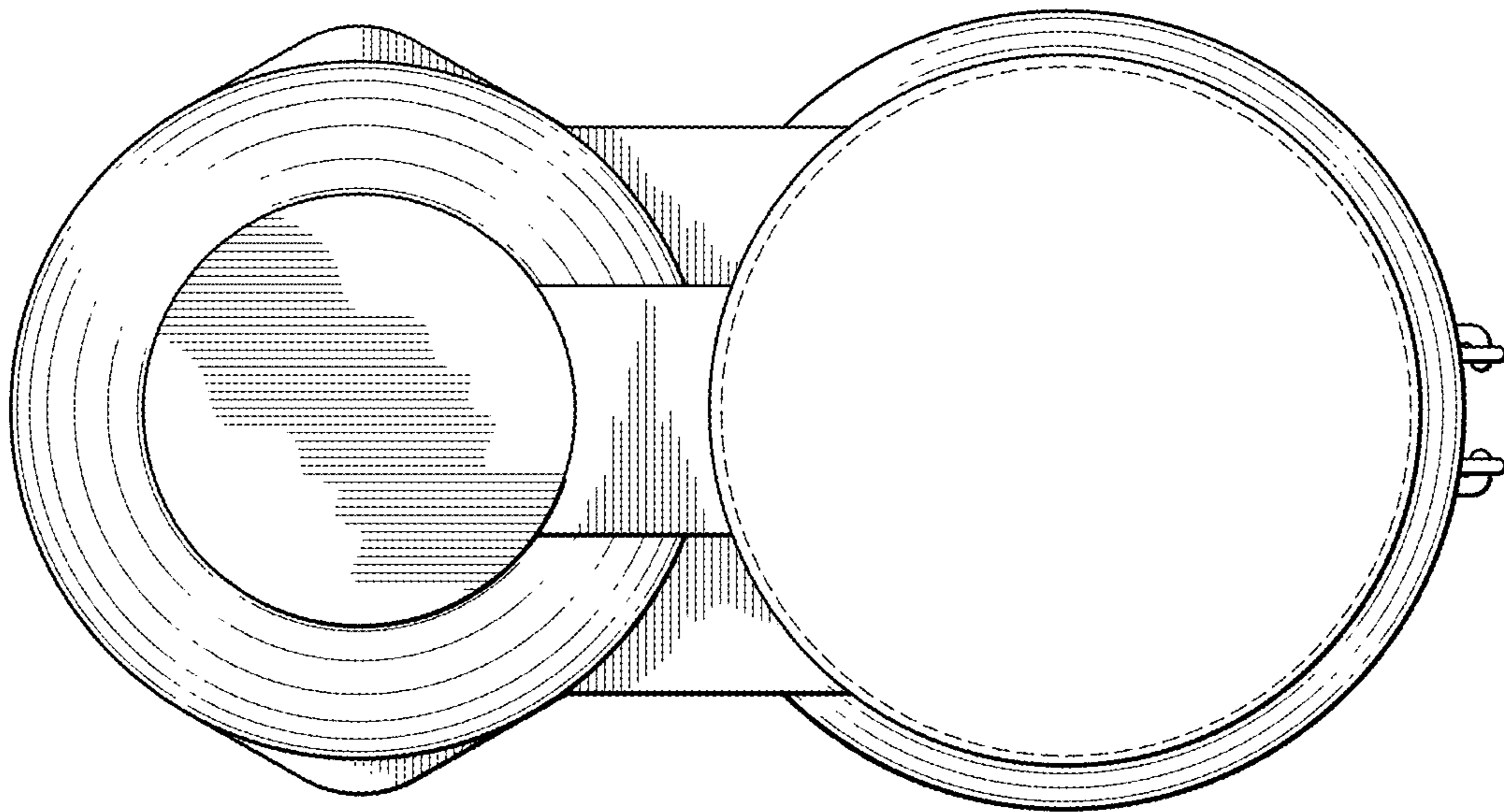


FIG. 7

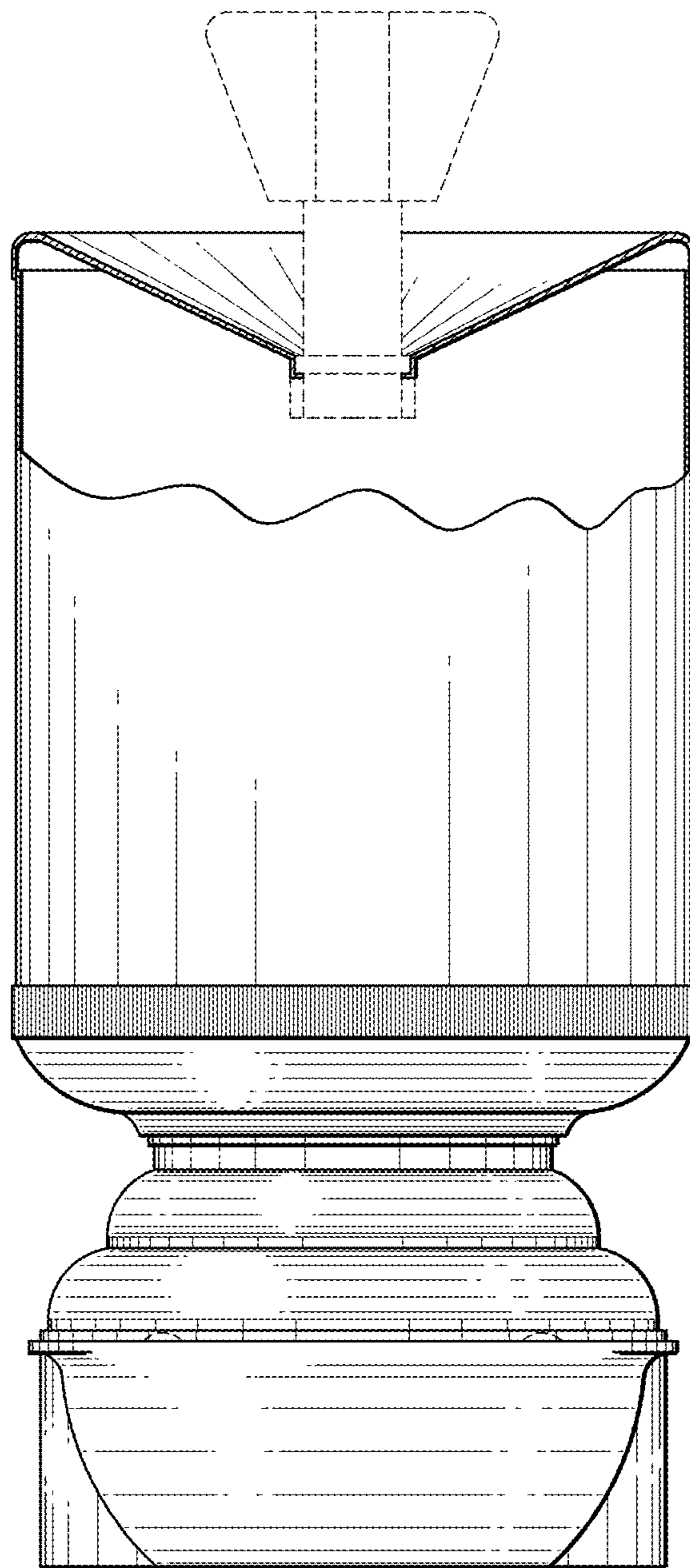


FIG. 8