



US00D682483S

(12) **United States Design Patent**
Silverman

(10) **Patent No.:** **US D682,483 S**

(45) **Date of Patent:** **** May 14, 2013**

(54) **ADJUSTABLE HEIGHT ANIMAL FEEDER**

(76) Inventor: **Linda Silverman**, New Port Beach, CA
(US)

(**) Term: **14 Years**

(21) Appl. No.: **29/431,350**

(22) Filed: **Sep. 6, 2012**

(51) **LOC (9) Cl.** **30-03**

(52) **U.S. Cl.**

USPC **D30/129; D30/133**

(58) **Field of Classification Search** D30/121,
D30/122, 129-133; 119/61.5, 51.01, 61.56,
119/51.03, 59, 62, 63, 51.5, 57.8, 74, 61.54,
119/61.55, 712, 174, 215, 61.57, 61.4; 604/61-63;
221/270, 268; D8/1; 220/23.87, 630, 737,
220/743, 9.4, 495.01, 574, 212, 255, 23.83,
220/573.4, 574.3; D23/213, 214, 233; 47/79,
47/48.5, 40.5, 44, 47, 39, 45; 239/280, 530,
239/532, 569, 556; D7/700, 398; 141/331,
141/345, 333, 334, 337, 391; 138/155; D11/143,
D11/144, 152; 222/400.7; 137/322; 473/560;
273/129 R; 294/54.5, 55, 1.4; 248/407,
248/408, 423, 295.11, 297.21, 297.31
See application file for complete search history.

D150,917 S * 9/1948 Berg D30/129
2,584,301 A * 2/1952 Sinclair 119/61.53
2,654,346 A * 10/1953 Goff 119/81
D175,292 S * 8/1955 Austgen D30/160
D177,053 S * 3/1956 Kofford D30/132
2,837,305 A * 6/1958 Andren 248/148
2,887,988 A * 5/1959 Cottongim 119/57.9
3,306,262 A * 2/1967 Hart 119/72
D222,177 S * 10/1971 Tondu D7/543
3,661,121 A * 5/1972 Zielin 119/61.57
3,678,901 A * 7/1972 Dulle 119/537
D234,180 S * 1/1975 Dart et al. D7/584
D235,619 S * 7/1975 Ziaylek, Jr. D8/373
3,911,866 A * 10/1975 Dodd 119/537
4,061,038 A * 12/1977 Clarke, Jr. 73/427
D250,565 S * 12/1978 Stowell D7/543
4,159,142 A * 6/1979 Larson 296/24.31
4,204,501 A * 5/1980 Karlsson et al. 119/72
4,205,629 A * 6/1980 Wix 119/51.5
D258,152 S * 2/1981 Robert D30/133
4,256,175 A * 3/1981 Strickland 165/67
D261,465 S * 10/1981 Minchew D7/555

(Continued)

Primary Examiner — Susan Moon Lee

(74) *Attorney, Agent, or Firm* — Mikowski & Leonard,
LLC; Justin C Mikowski; Lauren A Brown

(57) **CLAIM**

The ornamental design for an adjustable height animal feeder,
as shown and described.

(56) **References Cited**

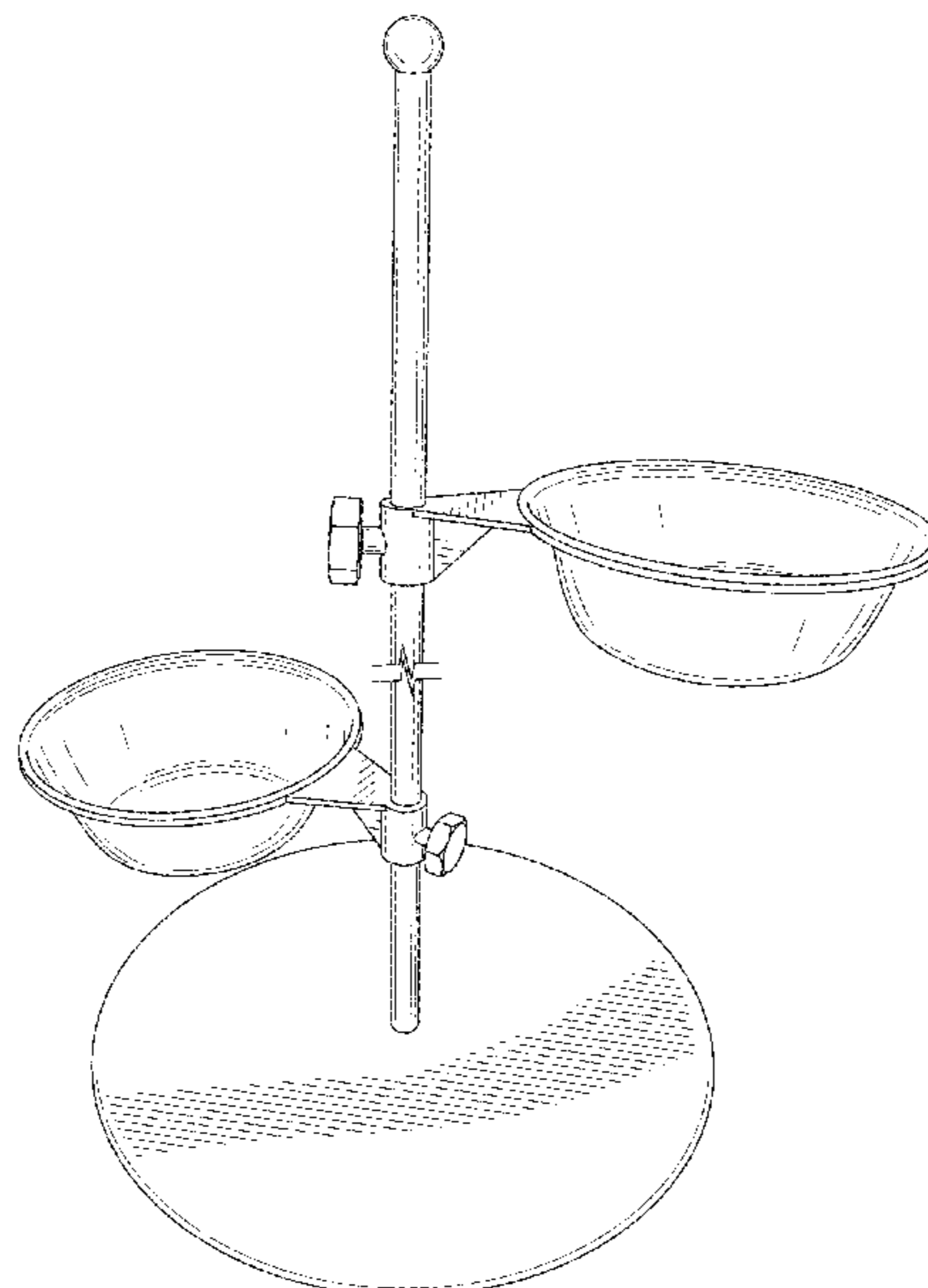
U.S. PATENT DOCUMENTS

159,617 A * 2/1875 Spencer 119/69
434,514 A * 8/1890 Lamb 248/97
488,851 A * 12/1892 Stock 119/69
812,157 A * 2/1906 Thompson 119/69
1,647,069 A * 10/1927 Ahlman 248/313
D76,406 S * 9/1928 Leon D30/199
1,879,332 A * 9/1932 Kulp 119/61.57
D120,628 S * 5/1940 Jembrzycki D8/373
2,320,828 A * 6/1943 Murphy 211/88.01
2,331,511 A * 10/1943 Schiffman 43/107

DESCRIPTION

FIG. 1 is a perspective view of an adjustable height animal feeder;
FIG. 2 is a right side view thereof;
FIG. 3 is a left side view thereof
FIG. 4 is a front view thereof;
FIG. 5 is a rear view thereof;
FIG. 6 is a top view thereof; and,
FIG. 7 is a bottom view thereof.

1 Claim, 4 Drawing Sheets



U.S. PATENT DOCUMENTS

4,399,772	A *	8/1983	Salinas	119/51.5	6,328,273	B1 *	12/2001	Kemikem	248/530
D273,430	S *	4/1984	Salinas	D30/130	D453,094	S *	1/2002	Maggard et al.	D7/584
4,463,706	A *	8/1984	Meister et al.	119/51.02	D454,989	S *	3/2002	McLaughlin	D30/118
D286,249	S *	10/1986	Carlson	D7/587	6,374,772	B1 *	4/2002	Brandt	119/57.8
D290,537	S *	6/1987	Hostetler	D30/132	D459,840	S *	7/2002	Lian	D30/124
D290,771	S *	7/1987	Hostetler	D30/132	6,463,884	B1 *	10/2002	Lien	119/537
D302,756	S *	8/1989	Trine	D30/133	D469,586	S *	1/2003	McGinn et al.	D30/119
4,966,099	A *	10/1990	Arney	119/61.53	6,561,129	B1 *	5/2003	Cheng	119/72.5
4,976,223	A *	12/1990	Pierce	119/61.56	D477,186	S *	7/2003	de Groote et al.	D7/543
D314,253	S *	1/1991	Goetz	D30/129	D478,474	S *	8/2003	Zettle	D7/545
5,000,124	A *	3/1991	Bergen	119/63	D483,157	S *	12/2003	Yang	D30/119
5,008,963	A *	4/1991	Stein	4/620	D484,363	S *	12/2003	de Groote et al.	D7/543
5,028,026	A *	7/1991	Philipps et al.	248/206.2	6,662,747	B1 *	12/2003	Wydra	119/63
5,036,799	A *	8/1991	Jordan et al.	119/61.57	D493,072	S *	7/2004	Palmer	D7/620
5,042,192	A *	8/1991	Osteen	43/109	6,783,021	B2 *	8/2004	Kaura	220/482
5,054,431	A *	10/1991	Coviello	119/61.56	6,860,229	B1 *	3/2005	Craft	119/61.5
5,081,957	A *	1/1992	Warner, Jr.	119/61.5	6,901,880	B2 *	6/2005	Hammer	119/61.57
D324,116	S *	2/1992	Skillius	D30/132	D516,255	S *	2/2006	Maguire	D30/129
5,148,626	A *	9/1992	Haake, Sr.	43/121	7,011,041	B1 *	3/2006	Bradley	119/69.5
5,165,365	A *	11/1992	Thompson	119/61.53	7,028,636	B2 *	4/2006	Weiser et al.	119/57.8
D331,865	S *	12/1992	Parker	D8/1	7,059,271	B2 *	6/2006	Santa Cruz et al.	119/60
5,218,927	A *	6/1993	Addams	119/537	7,219,623	B2 *	5/2007	Flowers et al.	119/69.5
D342,784	S *	12/1993	Passiak et al.	D24/123	7,234,417	B2 *	6/2007	Laird	119/61.57
D346,098	S *	4/1994	Schweiker, Jr.	D8/1	D545,629	S *	7/2007	Mellen et al.	D7/543
D347,969	S *	6/1994	Cousins et al.	D7/548	7,261,264	B2 *	8/2007	Moran	248/222.11
D353,083	S *	12/1994	Simon	D3/316	7,284,733	B2 *	10/2007	Parenteau	248/213.2
D357,557	S *	4/1995	Piper	D30/133	D559,475	S *	1/2008	Bonner	D30/160
5,421,289	A *	6/1995	Capellaro	119/475	7,318,391	B2 *	1/2008	Brillon	119/61.57
5,467,733	A *	11/1995	Messina	119/464	7,320,292	B1 *	1/2008	Ferrantelli et al.	119/61.56
5,467,738	A *	11/1995	Cass	119/61.53	D564,138	S *	3/2008	Dunn et al.	D30/129
5,501,176	A *	3/1996	Tully	119/61.57	D565,254	S *	3/2008	Modi et al.	D30/133
D373,932	S *	9/1996	Onneweer	D7/543	D568,004	S *	4/2008	Tiemann	D30/133
D375,819	S *	11/1996	Benson	D30/133	7,380,517	B2 *	6/2008	Flowers et al.	119/69.5
5,584,263	A *	12/1996	Sexton	119/51.5	D576,840	S *	9/2008	Hayes et al.	D7/585
5,649,386	A *	7/1997	Rynberk	47/41.14	D578,255	S *	10/2008	Walsh	D30/129
D383,252	S *	9/1997	Pearce	D30/119	D582,612	S *	12/2008	Rutherford	D30/119
D383,877	S *	9/1997	Doornbos	D30/119	D584,967	S *	1/2009	Shamoon	D10/46.2
D385,065	S *	10/1997	Krizek	D30/118	D591,590	S *	5/2009	Wilson et al.	D9/428
D385,066	S *	10/1997	Doornbos	D30/119	D595,015	S *	6/2009	Lauretano	D30/133
5,738,042	A *	4/1998	King	119/464	D601,385	S *	10/2009	Savage	D7/566
5,743,212	A *	4/1998	Forjohn	119/69.5	D616,618	S *	5/2010	Pearcey	D30/162
5,832,872	A *	11/1998	Pearce	119/477	7,857,274	B1 *	12/2010	Parks	248/310
D402,852	S *	12/1998	Benson	D7/545	D637,362	S *	5/2011	Gunn	D30/132
5,855,184	A *	1/1999	Eichler et al.	119/51.5	7,987,816	B1 *	8/2011	Walsh	119/61.56
D405,561	S *	2/1999	Willinger et al.	D30/129	8,001,931	B2 *	8/2011	Deese et al.	119/61.57
5,881,671	A *	3/1999	Riedl	119/61.53	D645,705	S *	9/2011	Shamoon	D7/543
5,887,545	A *	3/1999	Cuttress	119/61.56	8,082,883	B2 *	12/2011	Aletti	119/61.57
D407,952	S *	4/1999	Kendrick	D7/620	8,146,534	B1 *	4/2012	Robertson	119/61.54
D420,472	S *	2/2000	Dellasandro et al.	D30/119	D662,268	S *	6/2012	Pearcey	D30/162
6,039,370	A *	3/2000	Dooley et al.	294/1.5	D670,042	S *	10/2012	Anderson	D30/129
D424,758	S *	5/2000	Akopdjanov	D30/129	D670,452	S *	11/2012	Caruso	D30/133
D426,681	S *	6/2000	Moreau et al.	D30/119	2005/0072366	A1 *	4/2005	Hammer	119/61.57
D432,280	S *	10/2000	Quinlan et al.	D30/129	2005/0127073	A1 *	6/2005	Kusuma et al.	220/6
6,167,840	B1 *	1/2001	White et al.	119/61.53	2006/0037545	A1 *	2/2006	Bradley	119/69.5
D437,979	S *	2/2001	Lian	D30/119	2006/0283397	A1 *	12/2006	Loeffelholz	119/61.56
6,189,489	B1 *	2/2001	Pearce	119/477	2008/0116704	A1 *	5/2008	Botello et al.	294/1.5
D447,007	S *	8/2001	Schultz	D7/545	2010/0147224	A1 *	6/2010	Aletti	119/61.57
D447,012	S *	8/2001	Owens et al.	D7/620	2010/0162961	A1 *	7/2010	Hove et al.	119/51.5
6,311,641	B1 *	11/2001	Johnson	119/57.8	2011/0041772	A1 *	2/2011	Hargrove	119/61.57
D452,417	S *	12/2001	Whitmore et al.	D7/543	2012/0234250	A1 *	9/2012	Shamoon et al.	119/61.57

* cited by examiner

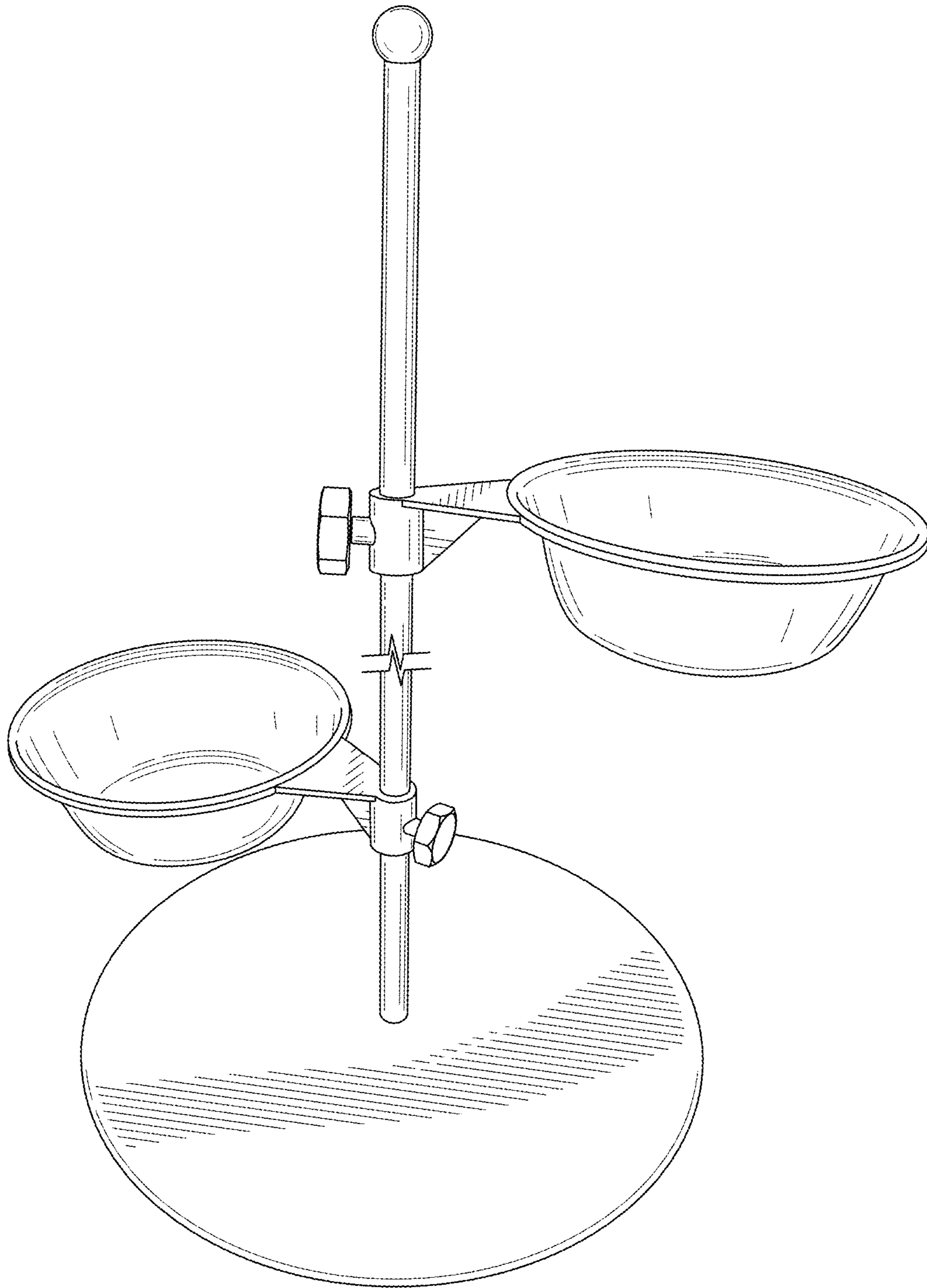


FIG. 1

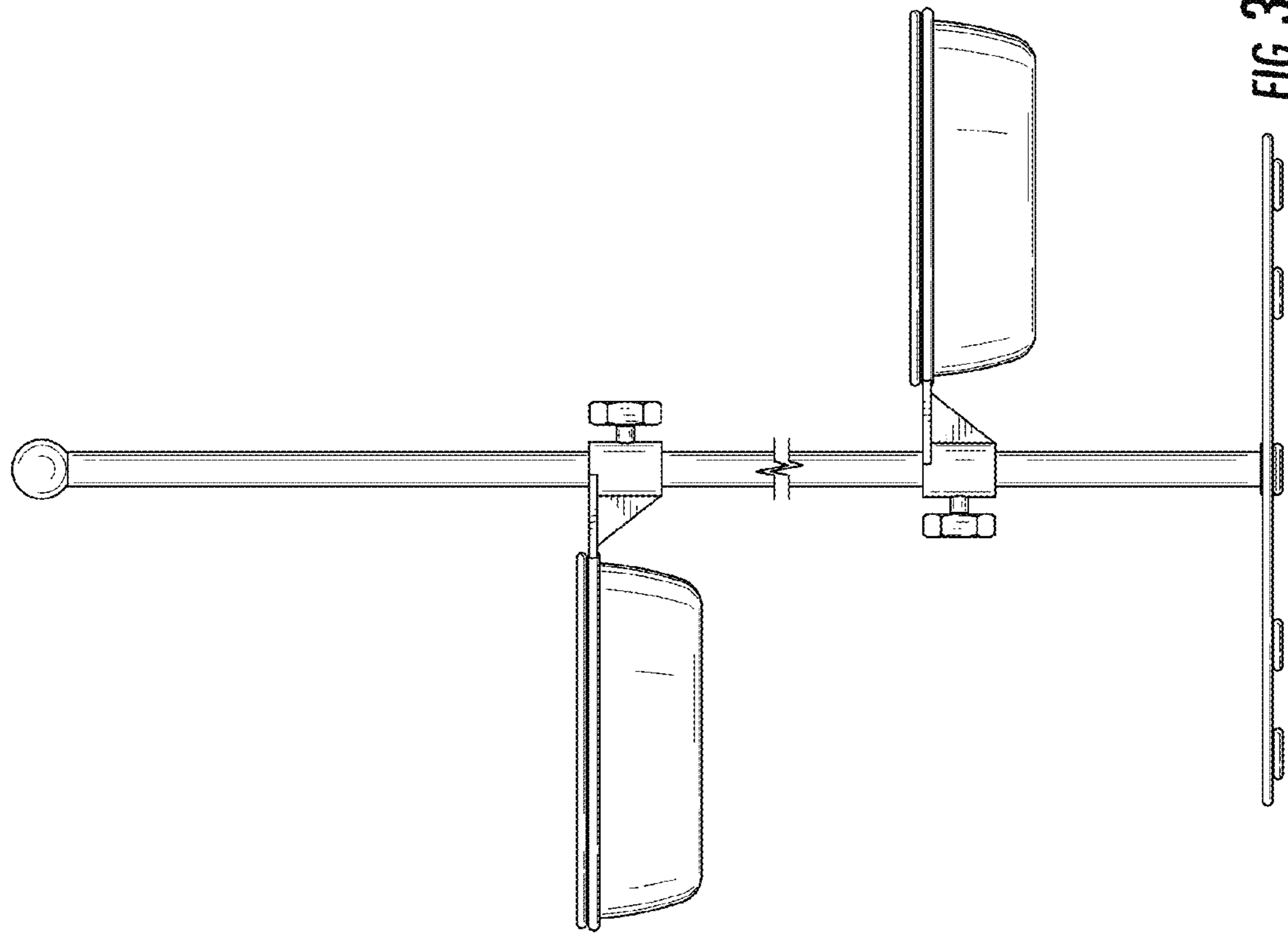


FIG. 3

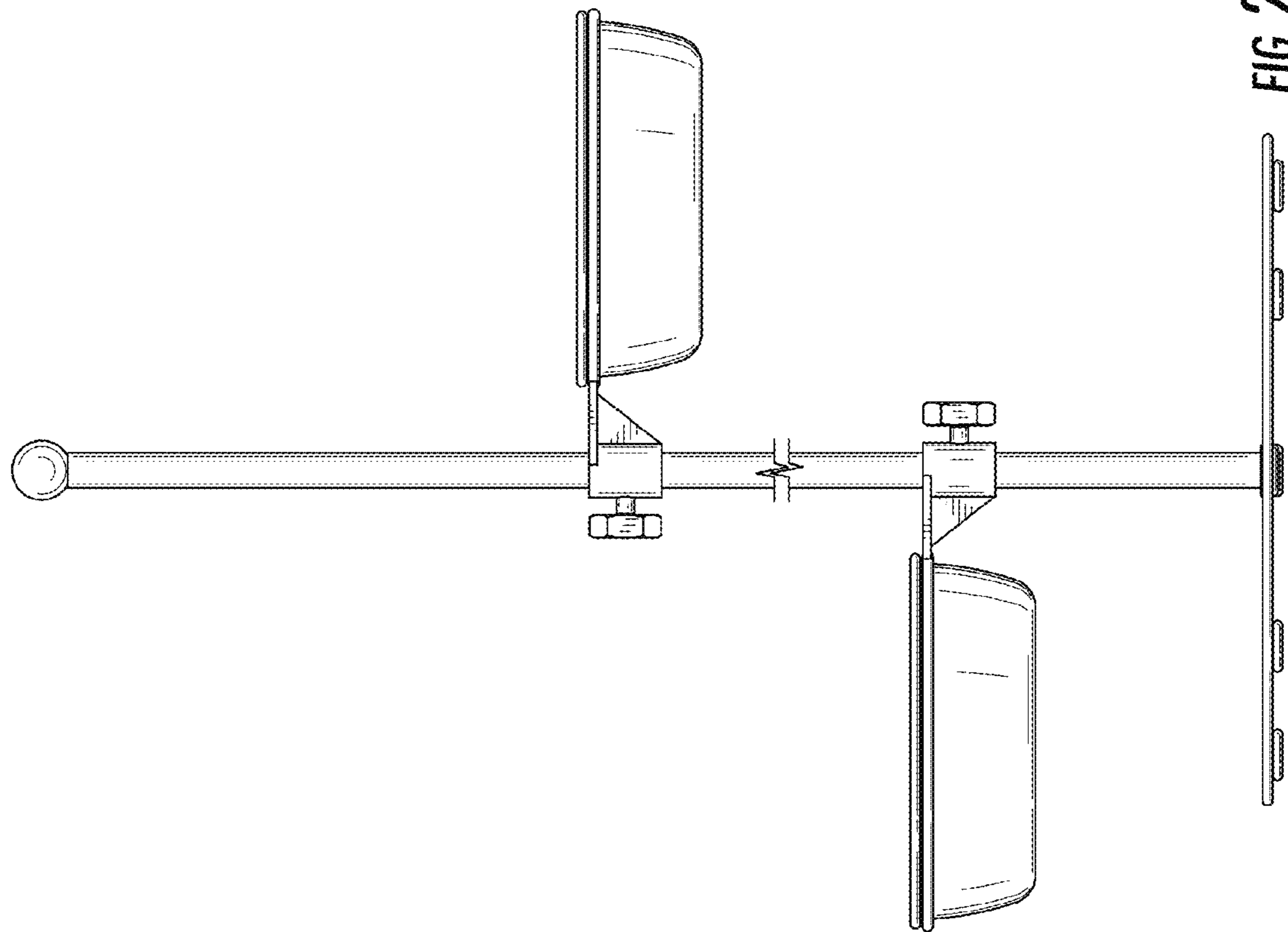


FIG. 2

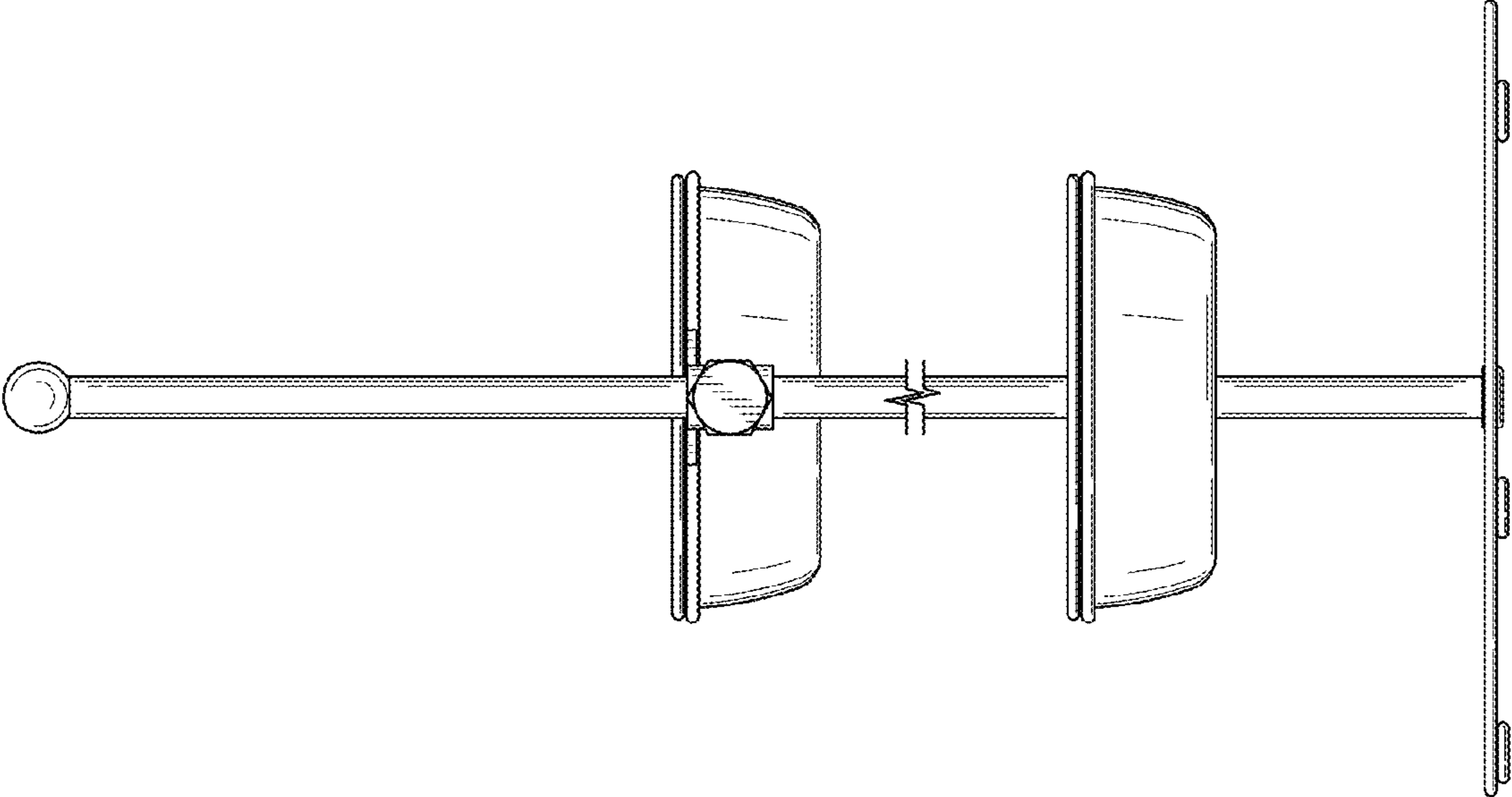


FIG. 5

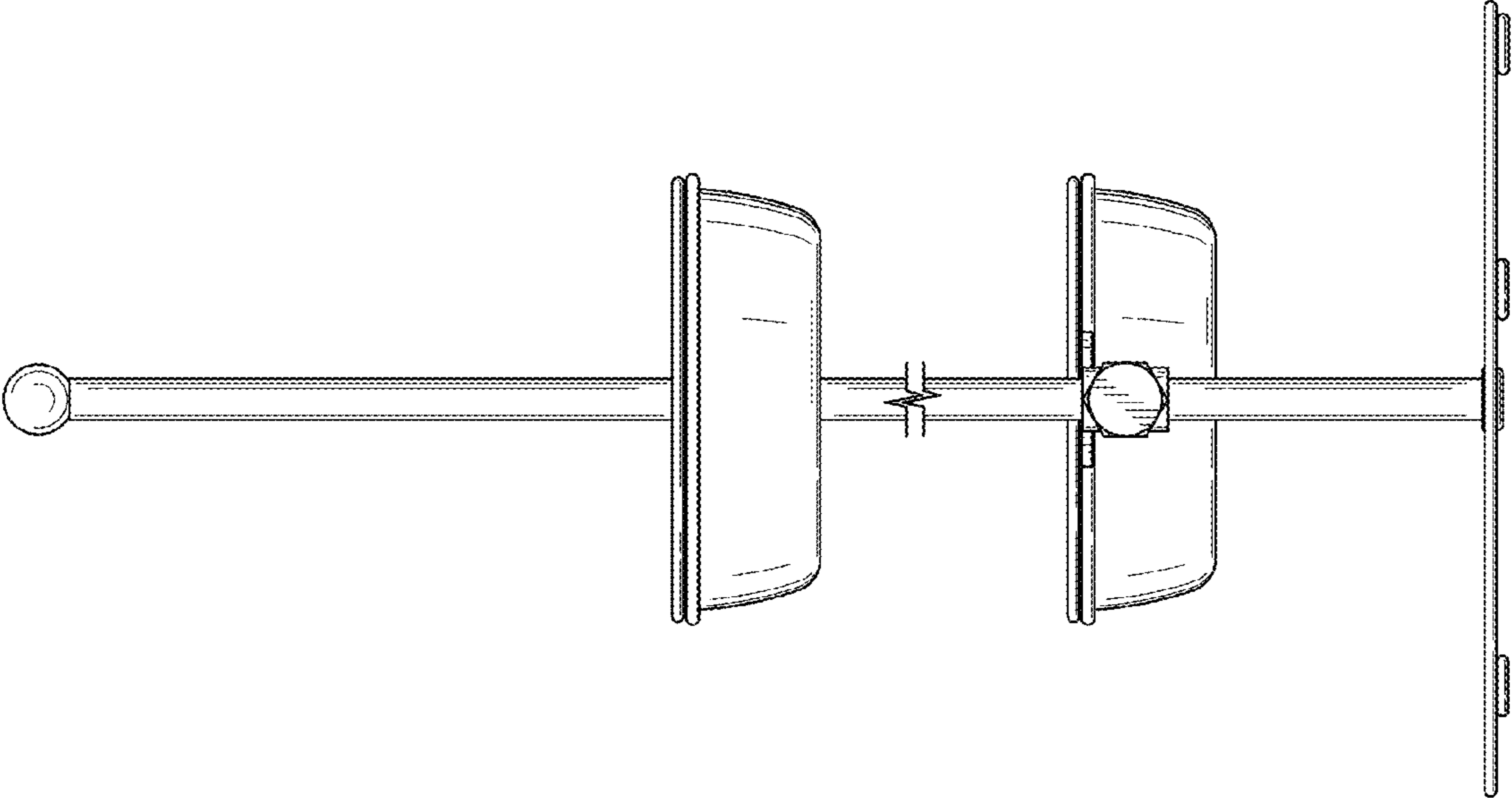


FIG. 4

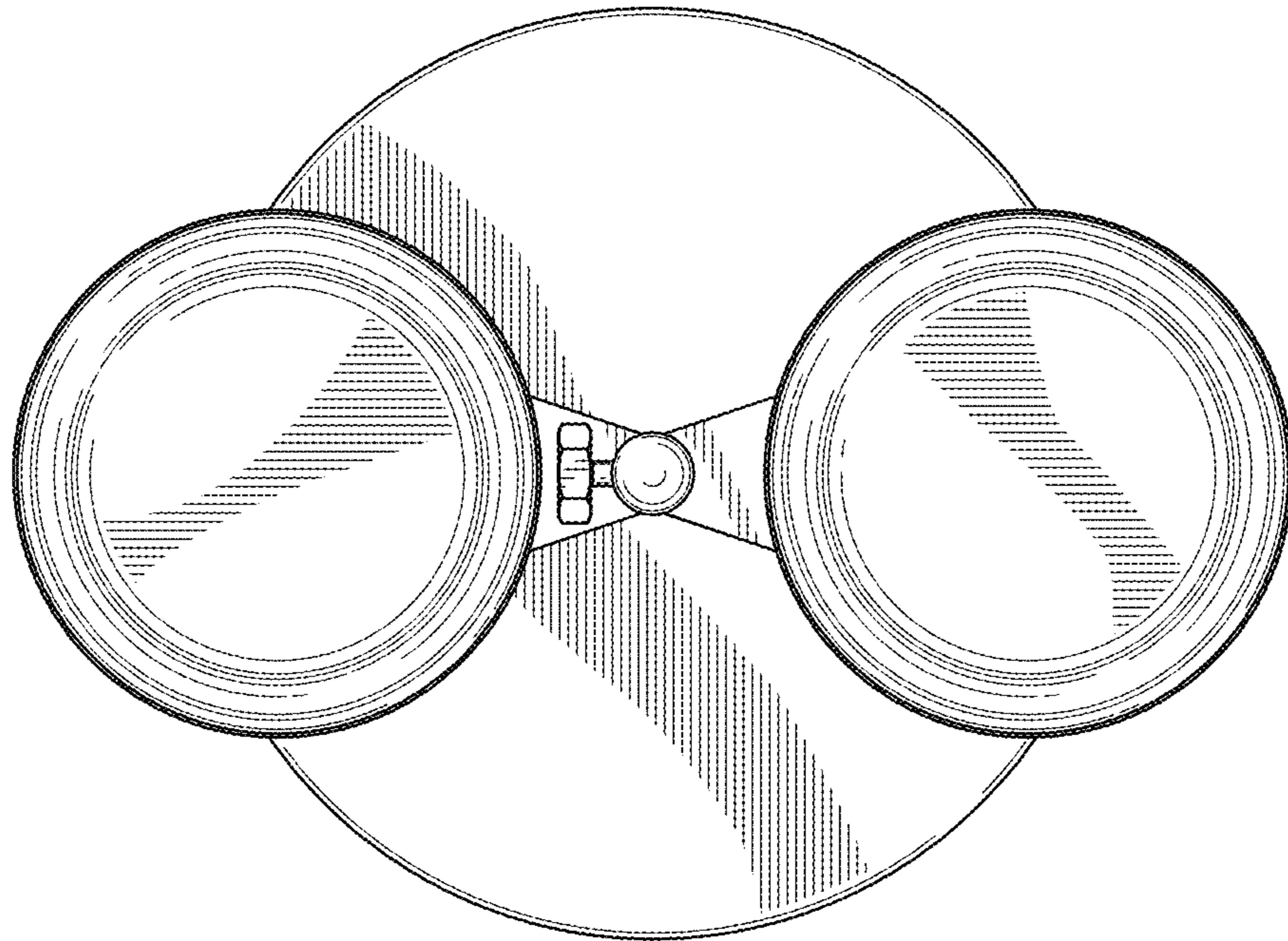


FIG. 6

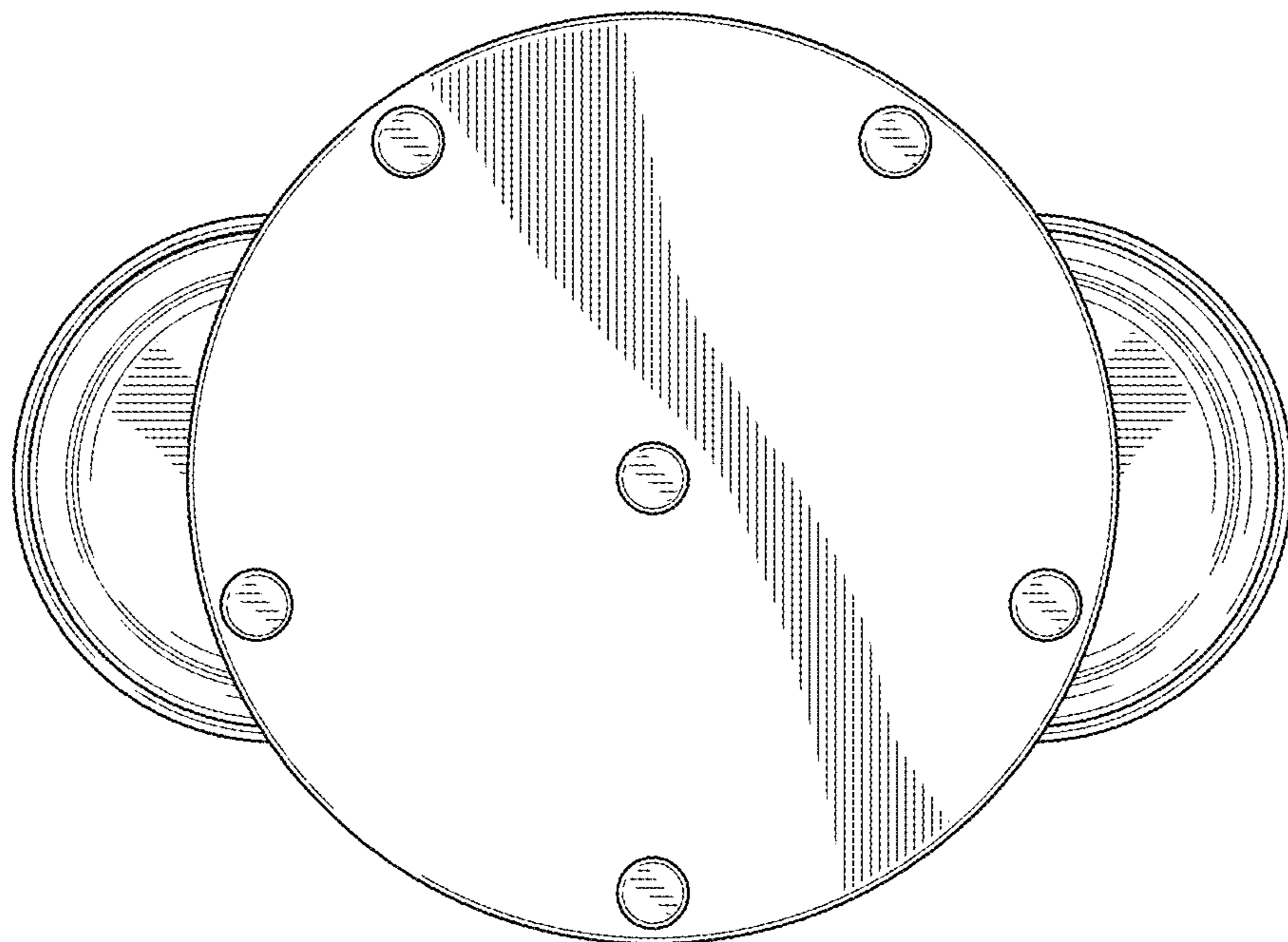


FIG. 7