



US00D682482S

(12) **United States Design Patent**
Nelson

(10) **Patent No.:** **US D682,482 S**

(45) **Date of Patent:** **** May 14, 2013**

(54) **PET BOWL ASSEMBLY**

(76) **Inventor:** **Sharon Nelson**, Palmetto Beach, FL
(US)

(**) **Term:** **14 Years**

(21) **Appl. No.:** **29/429,501**

(22) **Filed:** **Aug. 13, 2012**

(51) **LOC (9) Cl.** **30-03**

(52) **U.S. Cl.**
USPC **D30/129**

(58) **Field of Classification Search** D30/121,
D30/122, 129–133, 101; 119/61.5, 51.01,
119/61.56, 51.03, 59, 62, 63, 51.5, 57.8,
119/74, 61.54, 61.55; 312/204; 248/151,
248/188; 108/156, 153.1–157; 220/23.87,
220/630, 737, 743, 9.4, 495.01, 574, 212,
220/255, 23.83, 606, 657, 257.2, 359.2, 359.3,
220/253, 254.2, 507, 326, 825, 835; 206/538,
206/533, 534; D7/586, 543, 550.1, 587,
D7/505, 584, 545, 500, 553.1–553.8, 546,
D7/555, 556, 504, 565, 562, 602, 676, 544,
D7/548, 675, 554.2, 551.1, 672, 677; D9/429,
D9/425, 603, 443, 414–424, 428, 430–434,
D9/450, 523–525, 715, 503; 43/109; D22/122;
99/430, DIG. 15; D27/106, 113, 114; 229/406,
229/123.1, 125.05, 125.35, 404, 123.2, 123.3,
229/125.13, 125.14; 426/104; D3/203.1–203.4,
D3/206, 294; D19/51, 84, 85; D11/149–152;
D24/121, 123

See application file for complete search history.

(56) **References Cited**

U.S. PATENT DOCUMENTS

1,552,076 A * 9/1925 Mosier 119/72
D105,812 S * 8/1937 Siekert D30/130
D122,576 S * 9/1940 Steinhilber D7/557
2,543,465 A * 2/1951 Morey 119/51.5

D198,701 S * 7/1964 Roehrig D7/584
D201,376 S * 6/1965 Schroeder D7/505
3,285,459 A * 11/1966 Gahm 220/8
3,441,003 A * 4/1969 Lister et al. 119/61.53
3,756,462 A * 9/1973 Cain 220/23.83

(Continued)

Primary Examiner — Susan Moon Lee

(74) *Attorney, Agent, or Firm* — Allen, Dyer, Doppelt,
Milbrath and Gilchrist, P.A.

(57) **CLAIM**

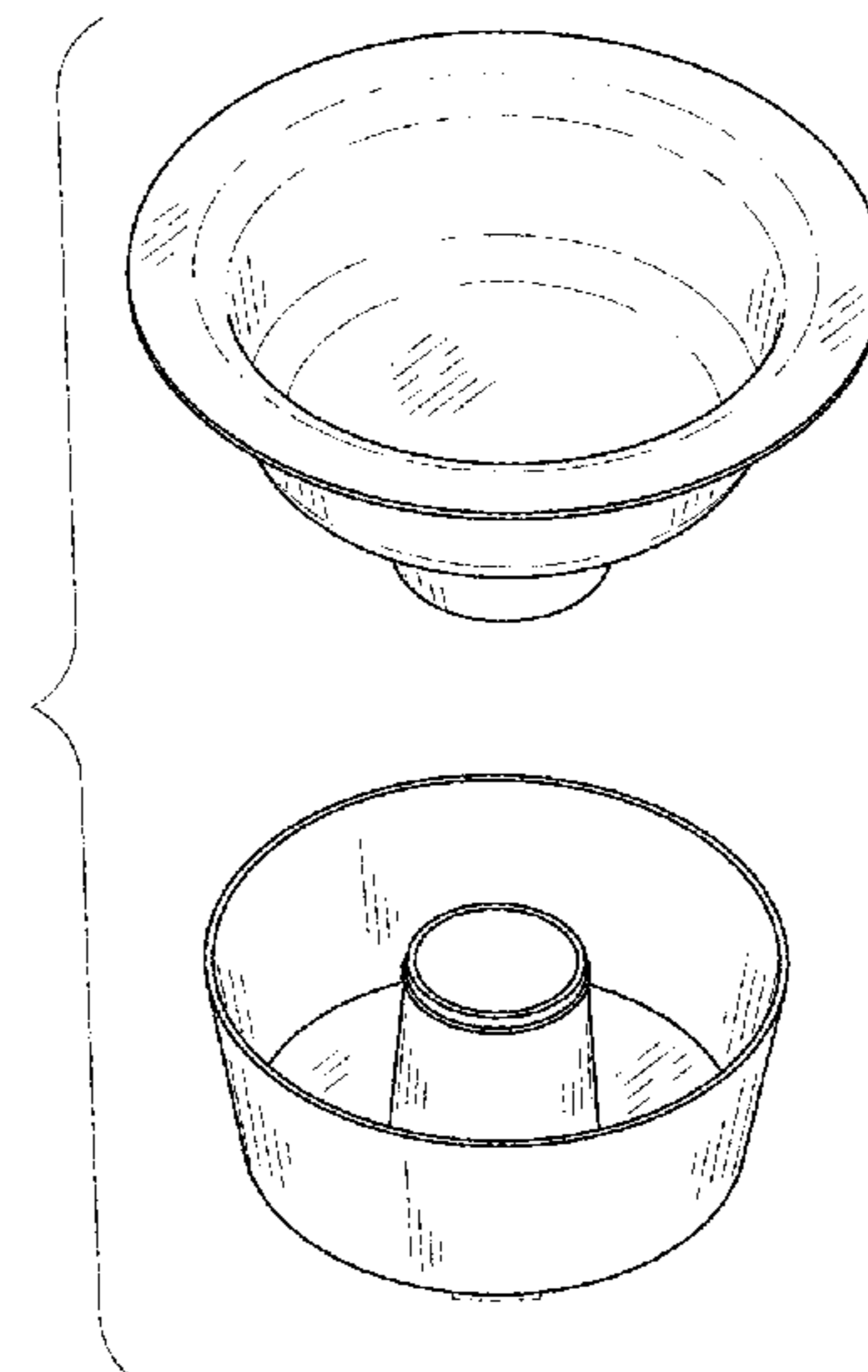
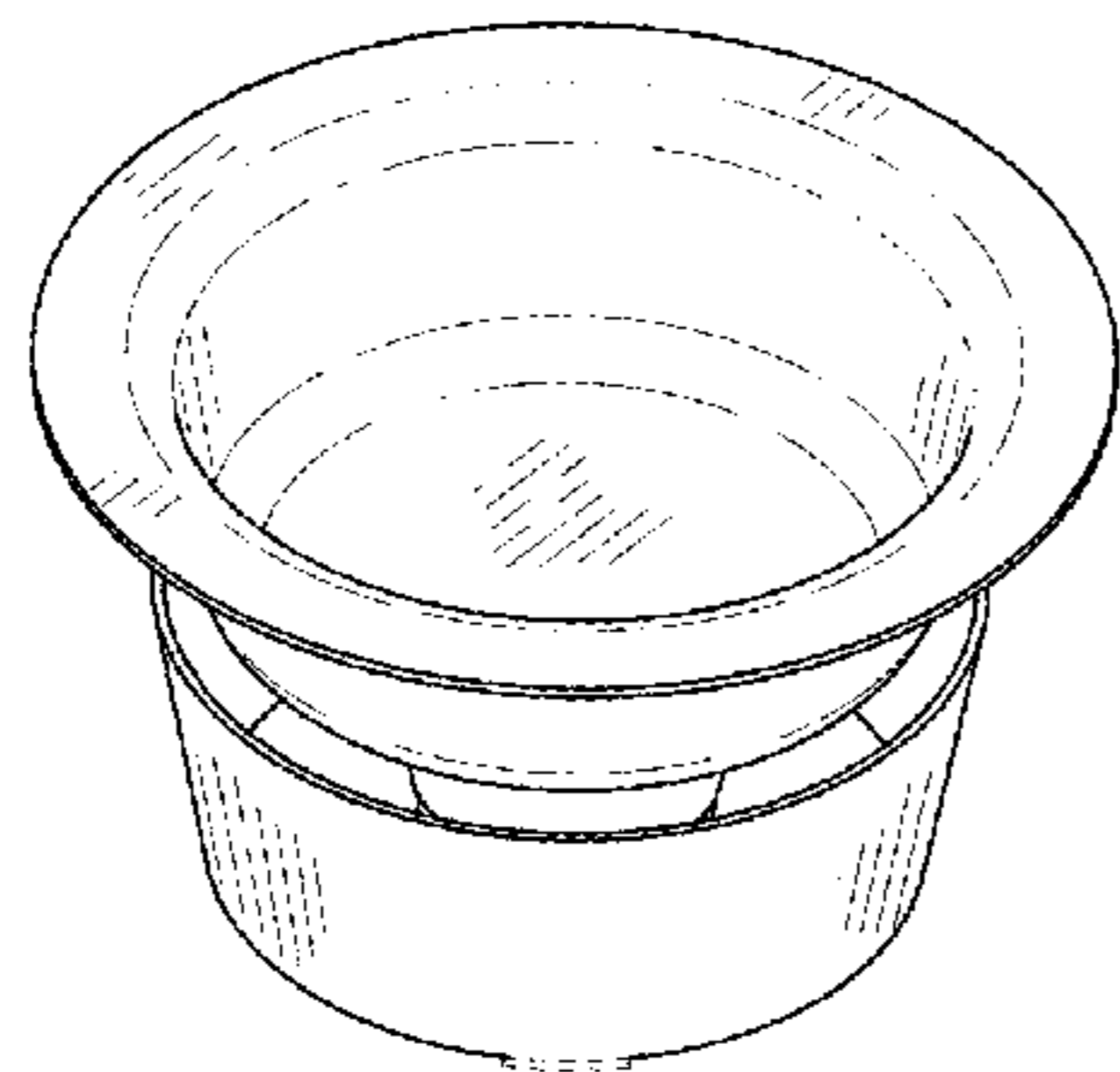
The ornamental design for a pet bowl assembly, as shown and described.

DESCRIPTION

FIG. 1 is a top perspective view of a pet bowl assembly having a lower part and an upper part;
FIG. 2 is a bottom perspective view of the embodiment shown in FIG. 1;
FIG. 3 is a bottom view of the embodiment shown in FIG. 1;
FIG. 4 is a side view of the embodiment shown in FIG. 1;
FIG. 5 is a top view of the embodiment shown in FIG. 1;
FIG. 6 is an exploded top perspective view of the embodiment shown in FIG. 1;
FIG. 7 is an exploded bottom perspective view of the embodiment shown in FIG. 1;
FIG. 8 is a bottom view of the lower part of the embodiment shown in FIG. 1;
FIG. 9 is a side view of the lower part of the embodiment shown in FIG. 1;
FIG. 10 is a top view of the lower part of the embodiment shown in FIG. 1;
FIG. 11 is a bottom view of an upper part of the embodiment shown in FIG. 1; and,
FIG. 12 is a side view of an upper part of the embodiment shown in FIG. 1.

Broken lines and portions contained within broken lines are not claimed.

1 Claim, 3 Drawing Sheets



US D682,482 S

Page 2

U.S. PATENT DOCUMENTS

4,286,634	A *	9/1981	Wisner	141/95	D363,573	S *	10/1995	Rehn	D30/130
D265,157	S *	6/1982	McKeegan	D7/549	5,619,952	A *	4/1997	Walker	119/61.53
D269,386	S *	6/1983	Khider	D30/130	5,855,185	A *	1/1999	Scott	119/61.53
4,395,015	A *	7/1983	Reardon	249/115	D426,495	S *	6/2000	Vaccaro	D12/133
D273,430	S *	4/1984	Salinas	D30/130	6,125,790	A *	10/2000	Breedwell	119/51.5
D301,427	S *	6/1989	Klingelhofer	D7/555	D435,321	S *	12/2000	Avila	D30/130
D304,659	S *	11/1989	Asner	D7/505	D447,290	S *	8/2001	Huai	D30/129
4,953,506	A *	9/1990	Sanders	119/61.53	6,478,277	B2 *	11/2002	Winqest	248/346.01
5,205,242	A *	4/1993	Kasselman	119/61.53	D468,064	S *	12/2002	Pardo	D30/130
5,209,184	A *	5/1993	Sharkan et al.	119/61.56	6,520,114	B1 *	2/2003	Chun	119/61.54
D338,288	S *	8/1993	Key	D30/129	6,848,392	B1 *	2/2005	Kreutzer, Jr.	119/61.3
5,253,609	A *	10/1993	Partelow et al.	119/61.53	D543,665	S *	5/2007	Hewitt et al.	D30/129
5,271,508	A *	12/1993	Gamwell	209/682	7,219,622	B1 *	5/2007	Powers	119/61.53
D344,210	S *	2/1994	Cousins et al.	D7/538	D602,653	S *	10/2009	Mendenhall	D30/130
5,366,103	A *	11/1994	Abernathy et al.	220/23.83	D636,539	S *	4/2011	Montoya	D30/129
5,372,063	A *	12/1994	Berg	100/110	2003/0029867	A1 *	2/2003	Vicknair	220/23.87
5,423,451	A *	6/1995	Snyder	220/574	2006/0027176	A1 *	2/2006	McQuade et al.	119/61.5
D362,089	S *	9/1995	Moore et al.	D30/129	2007/0089678	A1 *	4/2007	Greenwood	119/61.5

* cited by examiner

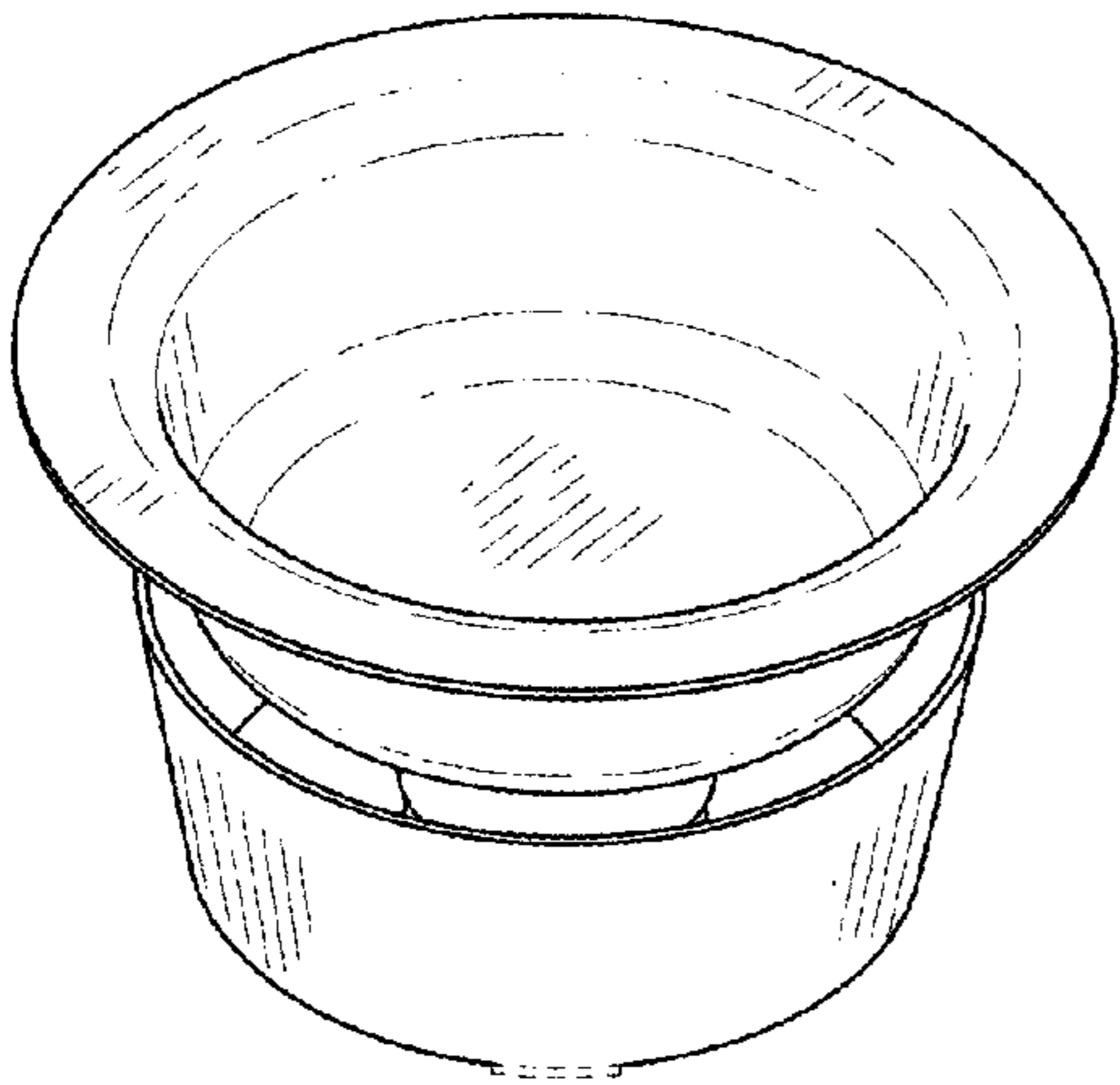


Fig. 1

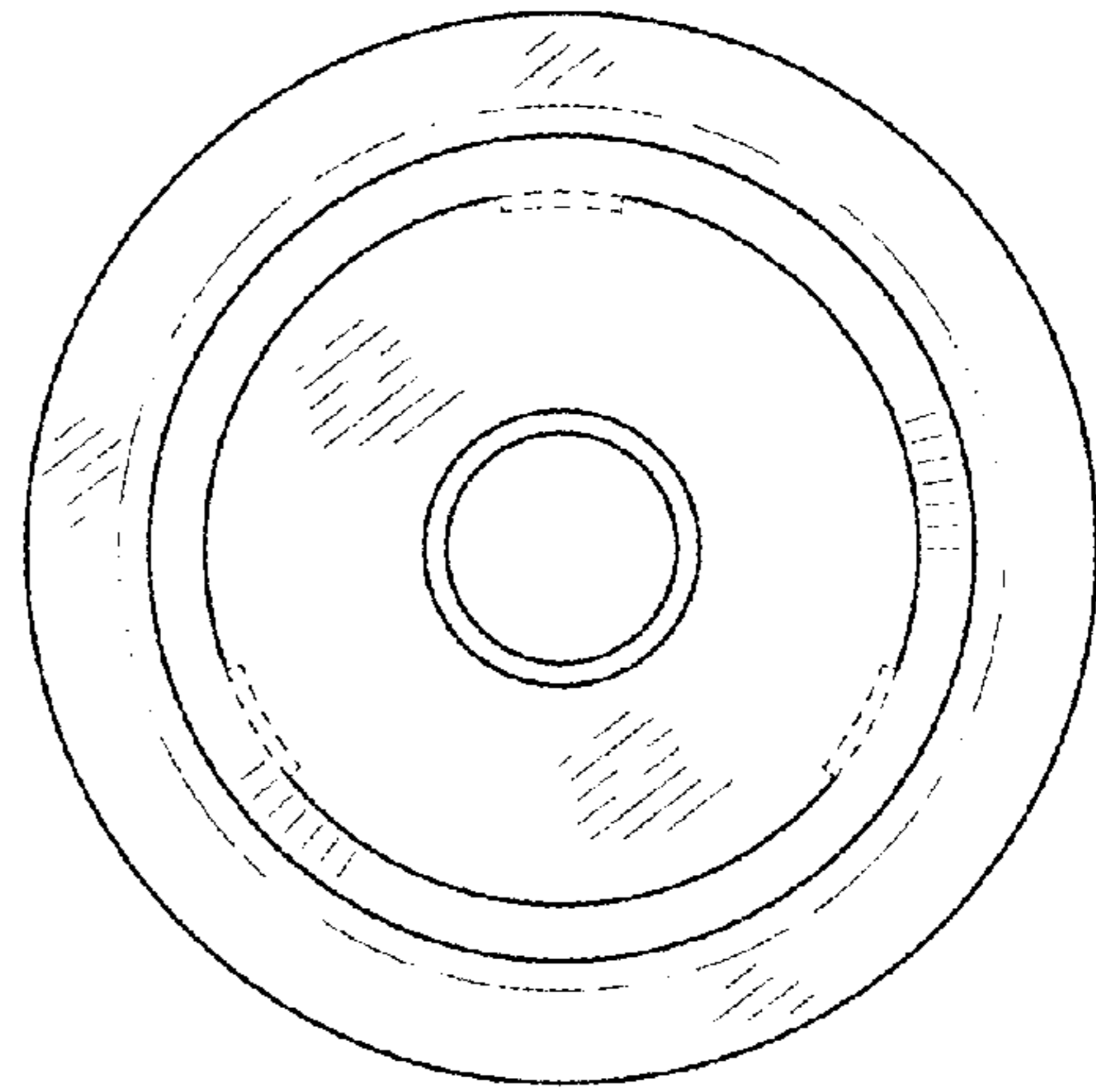


Fig. 3

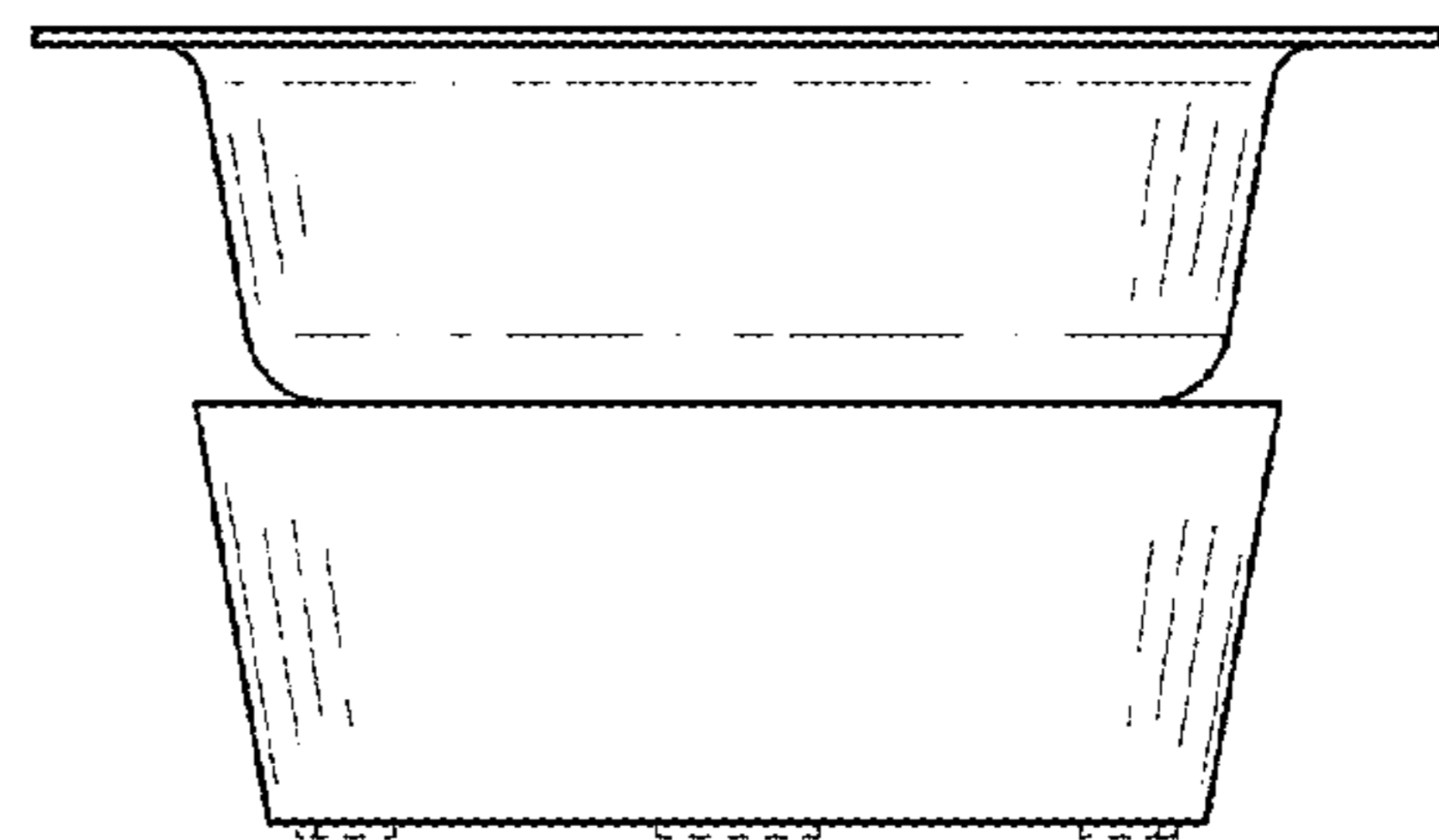


Fig. 4

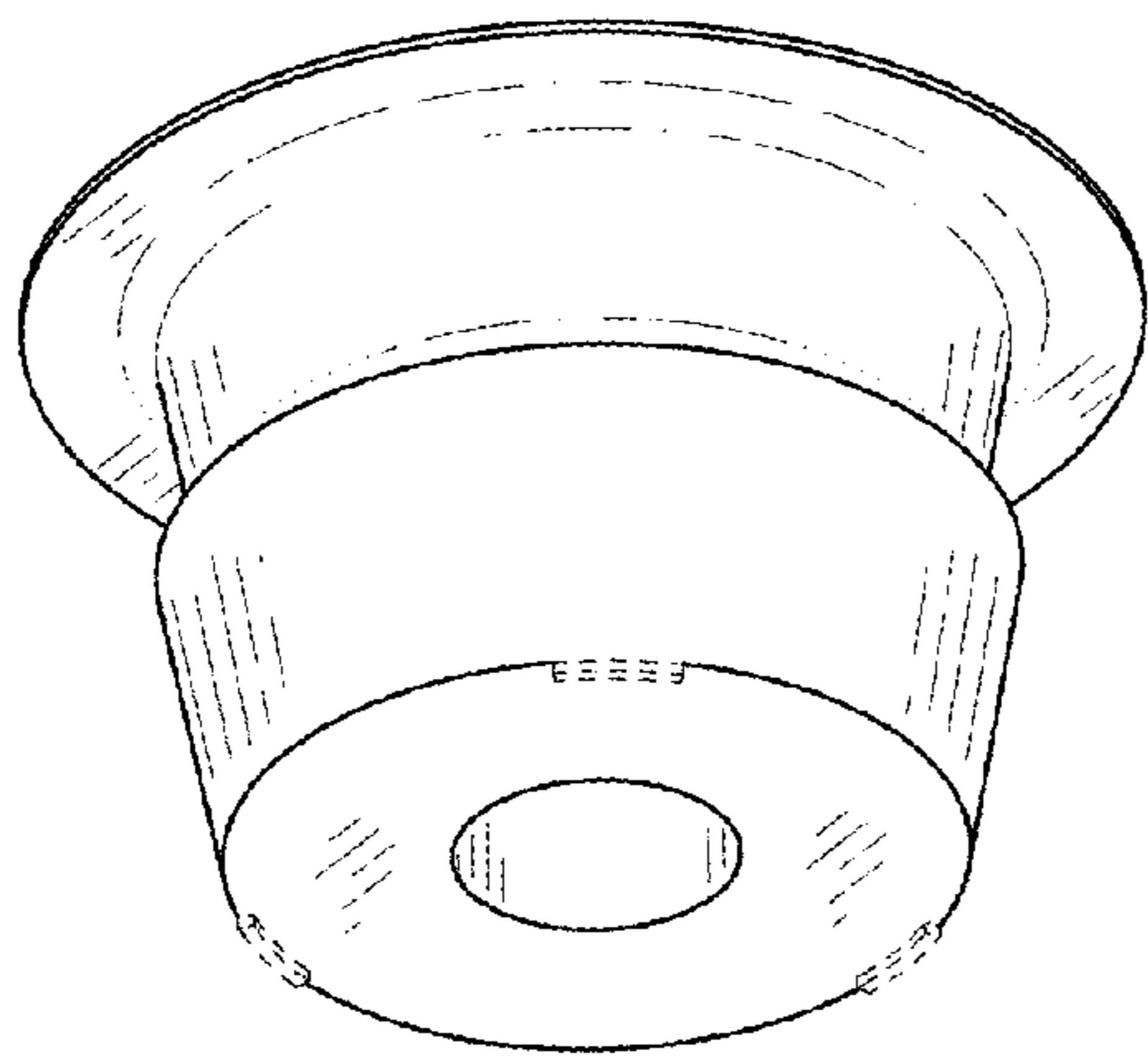


Fig. 2

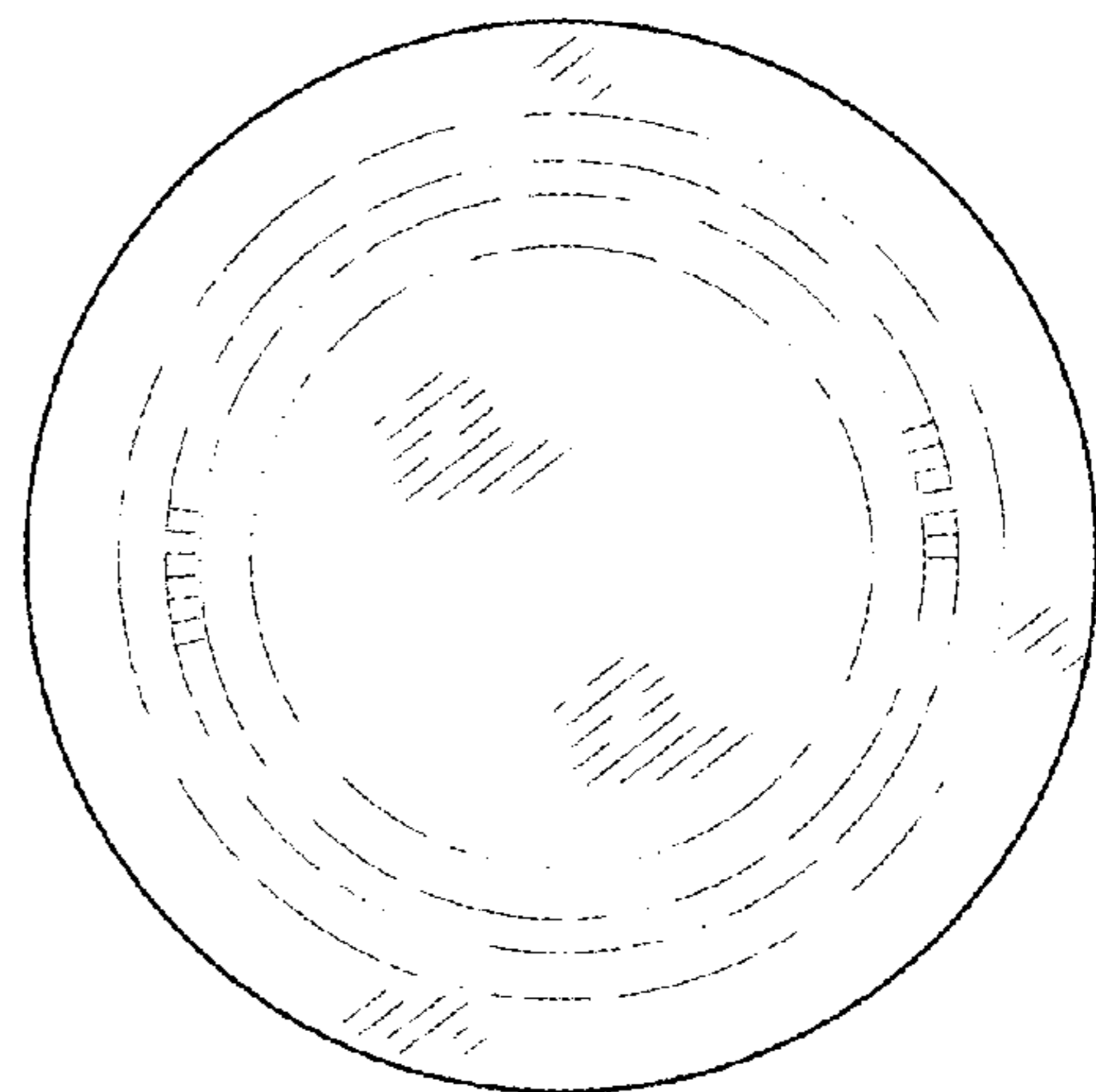


Fig. 5

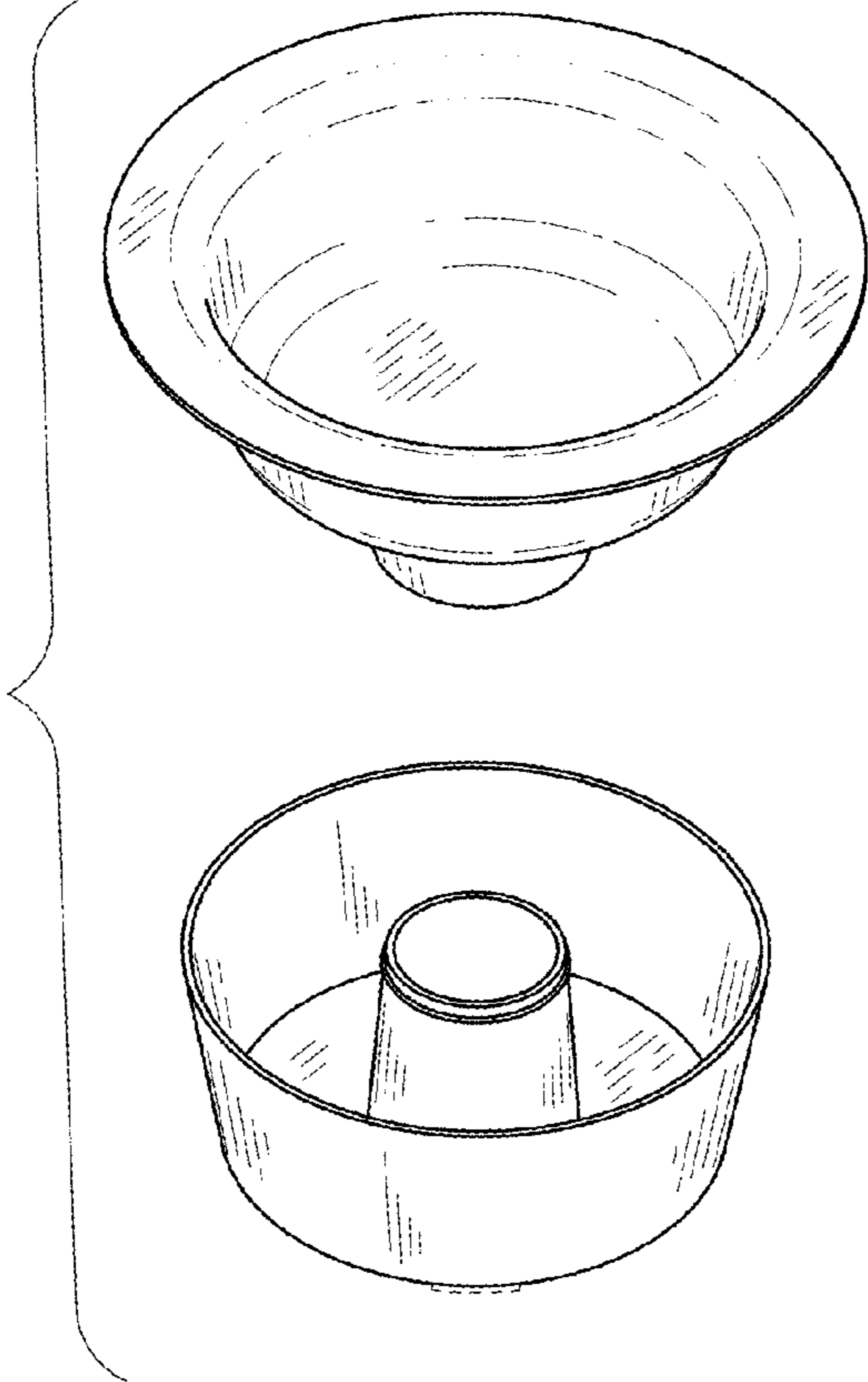


Fig. 6

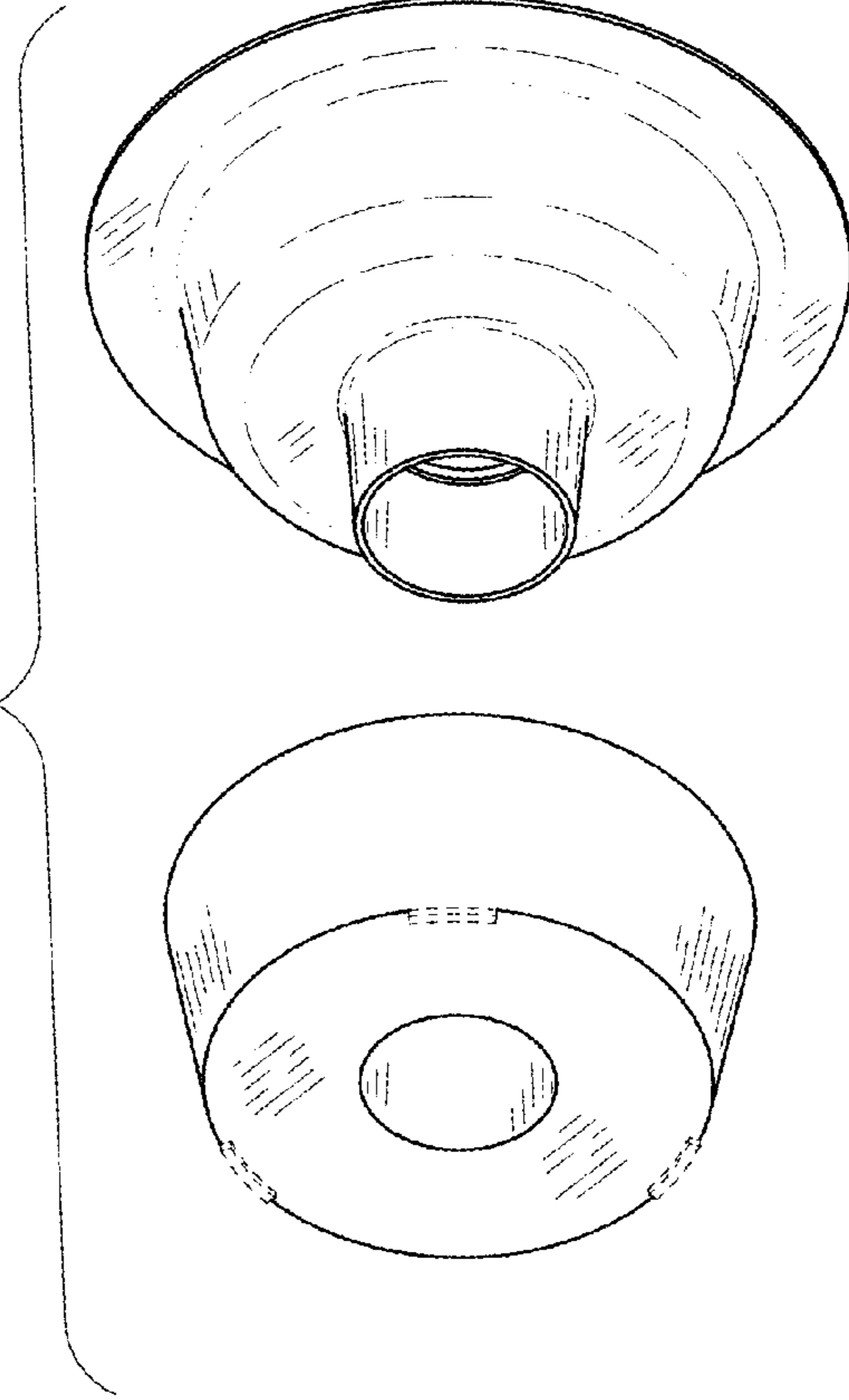


Fig. 7

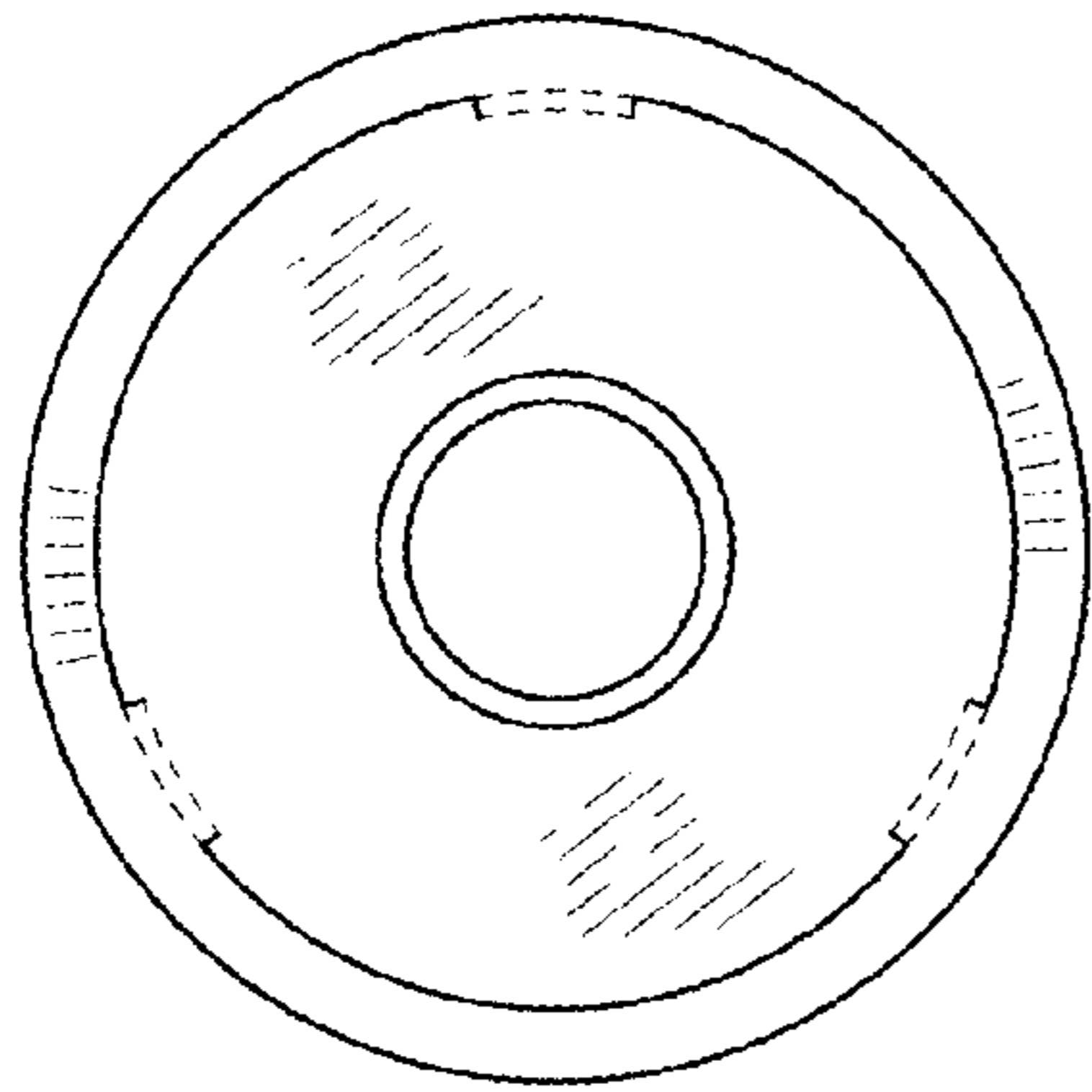


Fig. 8

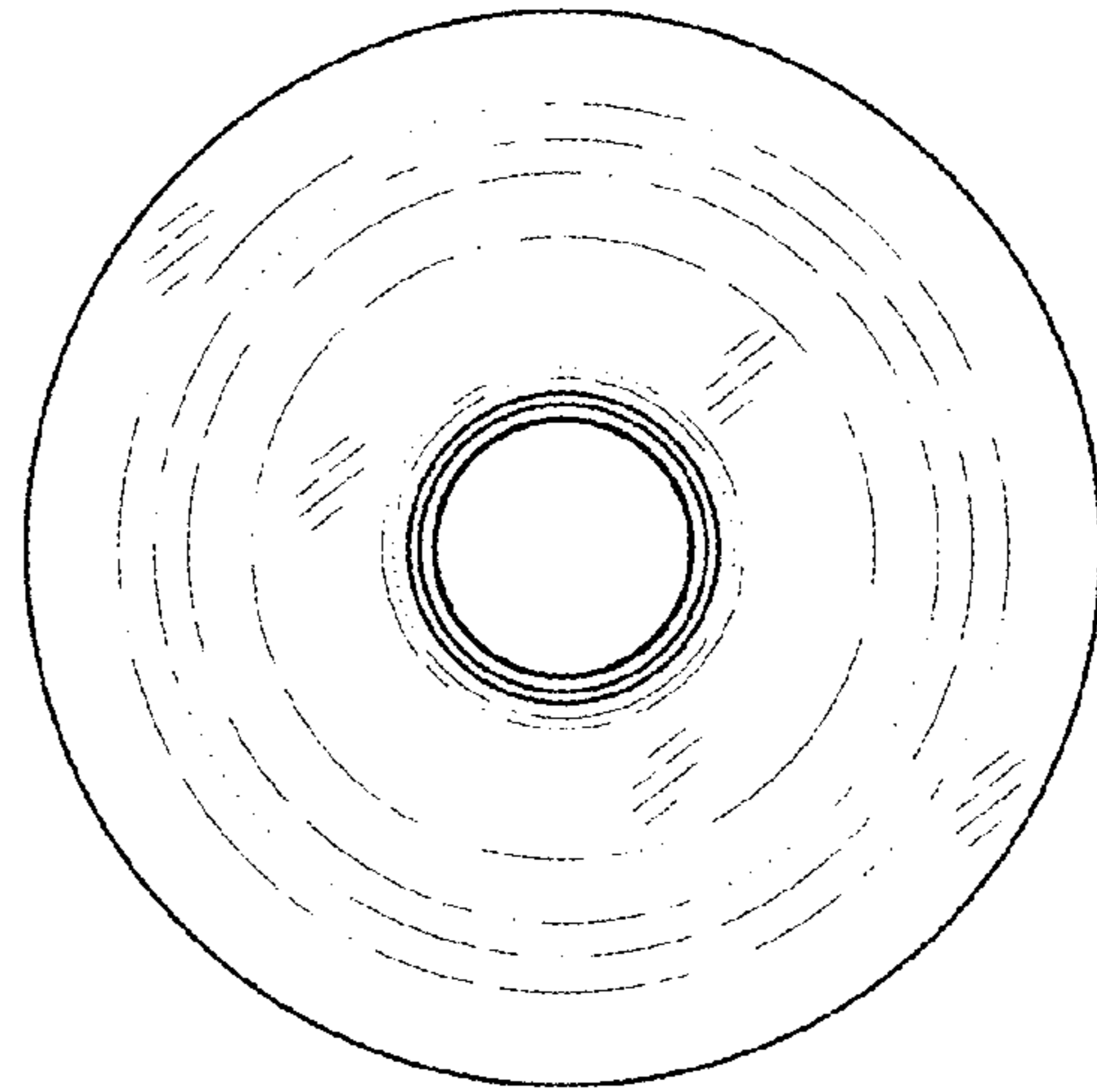


Fig. 11



Fig. 9

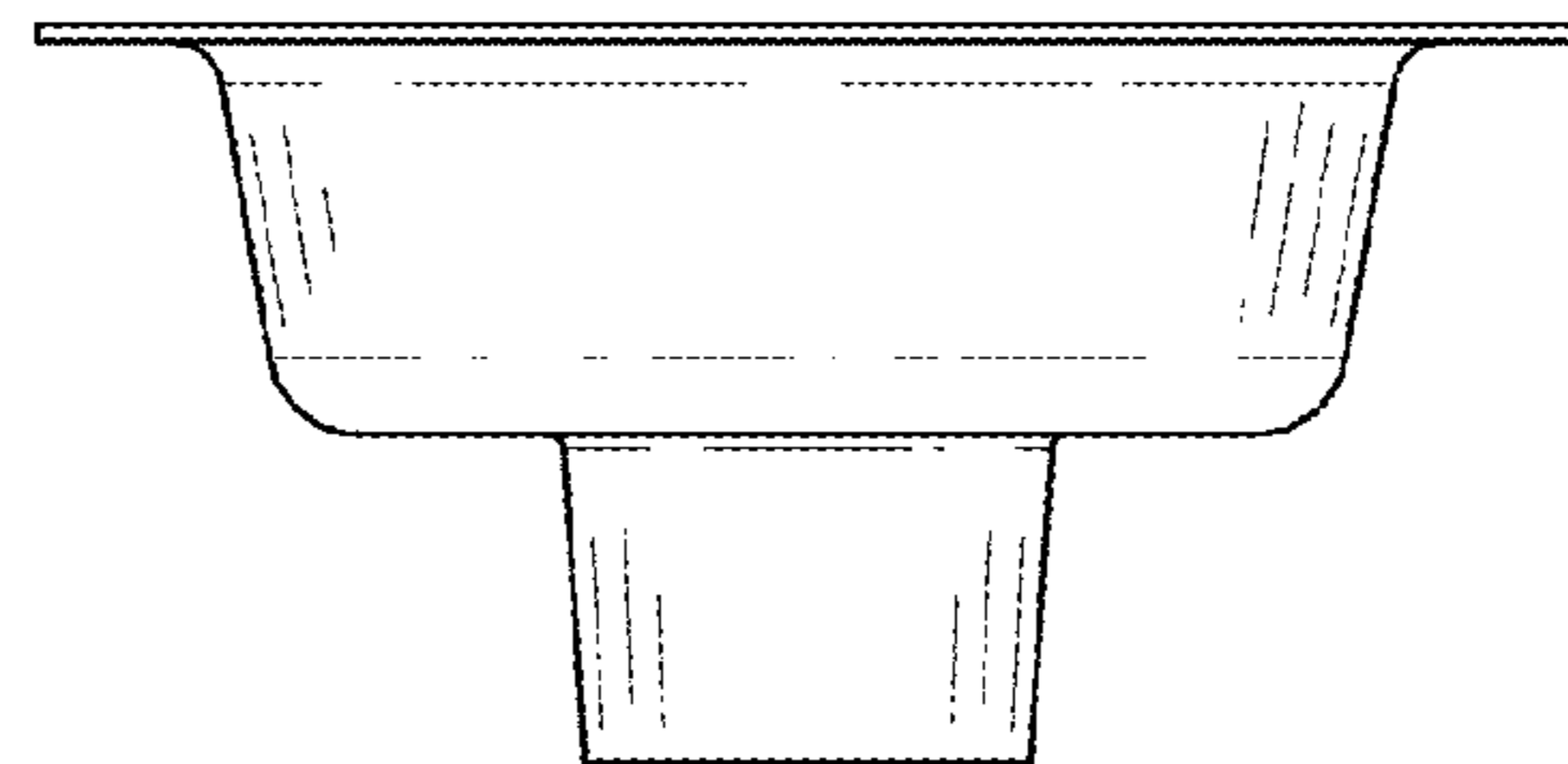


Fig. 12

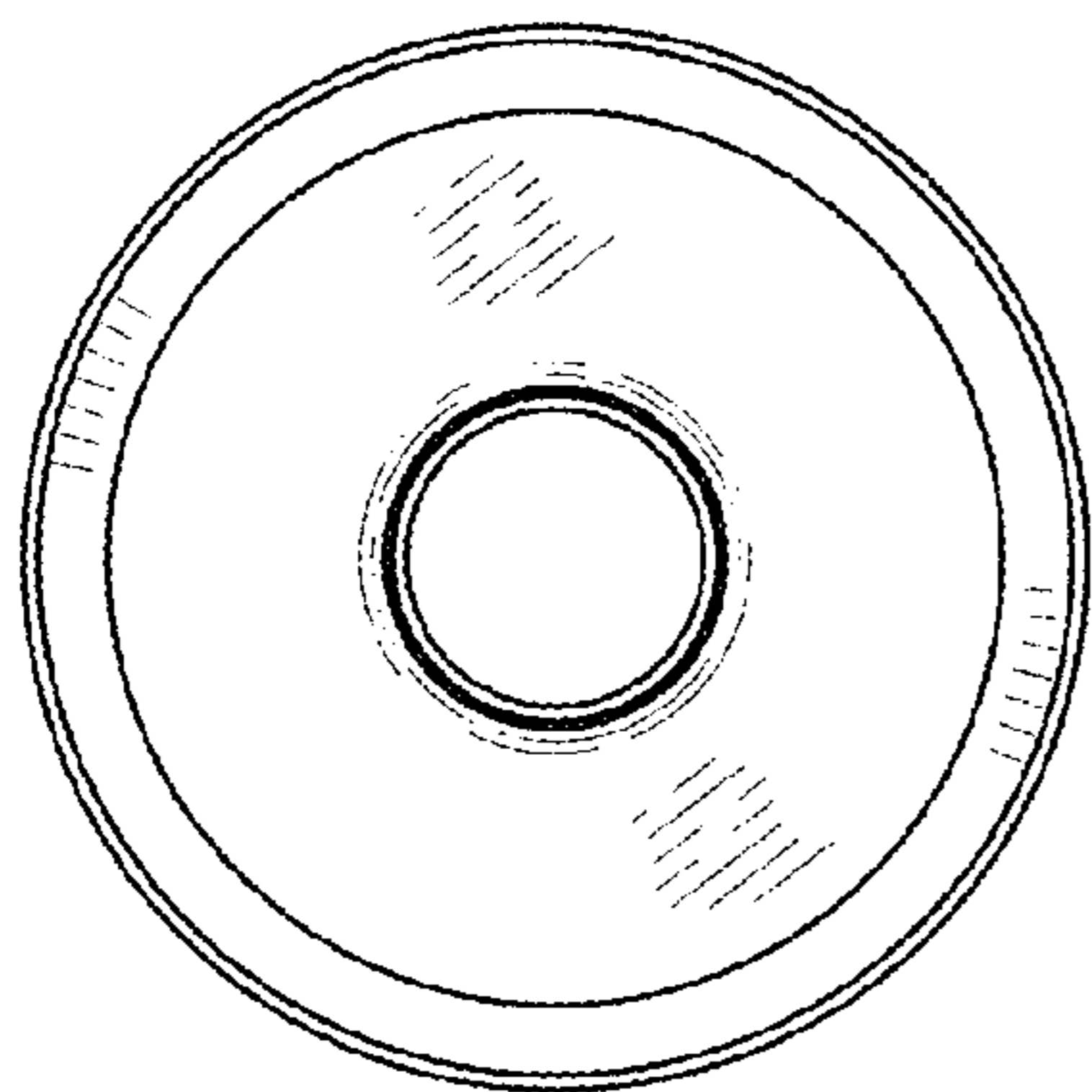


Fig. 10