



US00D682477S

(12) **United States Design Patent**  
**Chen et al.**

(10) **Patent No.:** **US D682,477 S**

(45) **Date of Patent:** **\*\* May 14, 2013**

(54) **LIPSTICK CASE**

(75) Inventors: **I-Ming Chen**, Tainan (TW); **Hsuan-Yu Chen**, Tainan (TW)

(73) Assignee: **Tair Jih Enterprise Co., Ltd.**, Tainan (TW)

(\*\*) Term: **14 Years**

(21) Appl. No.: **29/416,445**

(22) Filed: **Mar. 22, 2012**

(30) **Foreign Application Priority Data**

Sep. 23, 2011 (TW) ..... 100305037

(51) **LOC (9) Cl.** ..... **28-03**

(52) **U.S. Cl.**  
USPC ..... **D28/89**

(58) **Field of Classification Search** ..... D28/85-90;  
D9/503-504; 132/318, 320; 206/581, 823,  
206/385; 401/68-79, 126-130, 202

See application file for complete search history.

(56) **References Cited**

U.S. PATENT DOCUMENTS

D539,985 S \* 4/2007 Koch ..... D28/90  
D655,867 S \* 3/2012 Allen et al. .... D28/88

\* cited by examiner

*Primary Examiner* — Jennifer Rivard

(74) *Attorney, Agent, or Firm* — Whyte Hirschboeck Dudek S.C.

(57) **CLAIM**

The ornamental design for lipstick case, as shown and described.

**DESCRIPTION**

FIG. 1 is a perspective view of lipstick case showing our new design;

FIG. 2 is a front elevational view thereof;

FIG. 3 is a rear elevational view thereof;

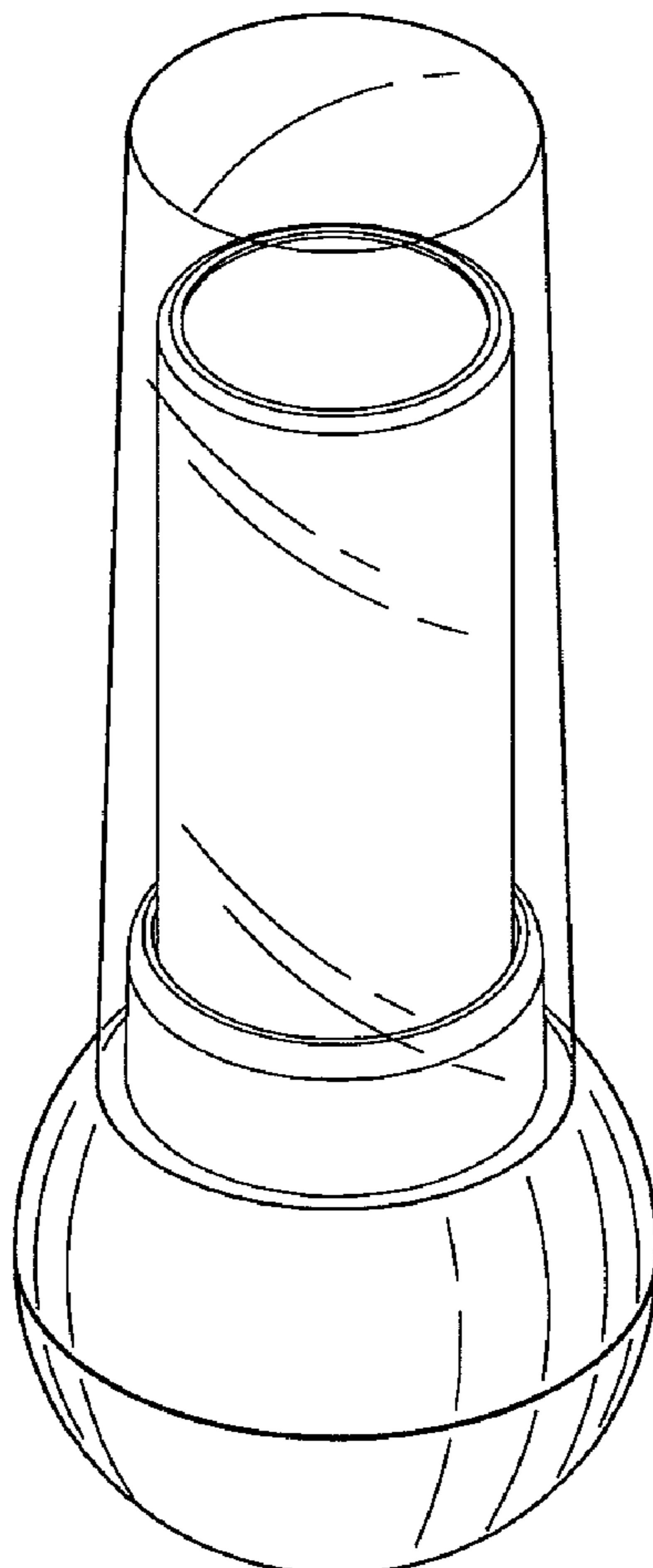
FIG. 4 is a left side elevational view thereof;

FIG. 5 is a right side elevational view thereof;

FIG. 6 is a top plan view thereof; and,

FIG. 7 is a bottom plan view thereof.

**1 Claim, 4 Drawing Sheets**



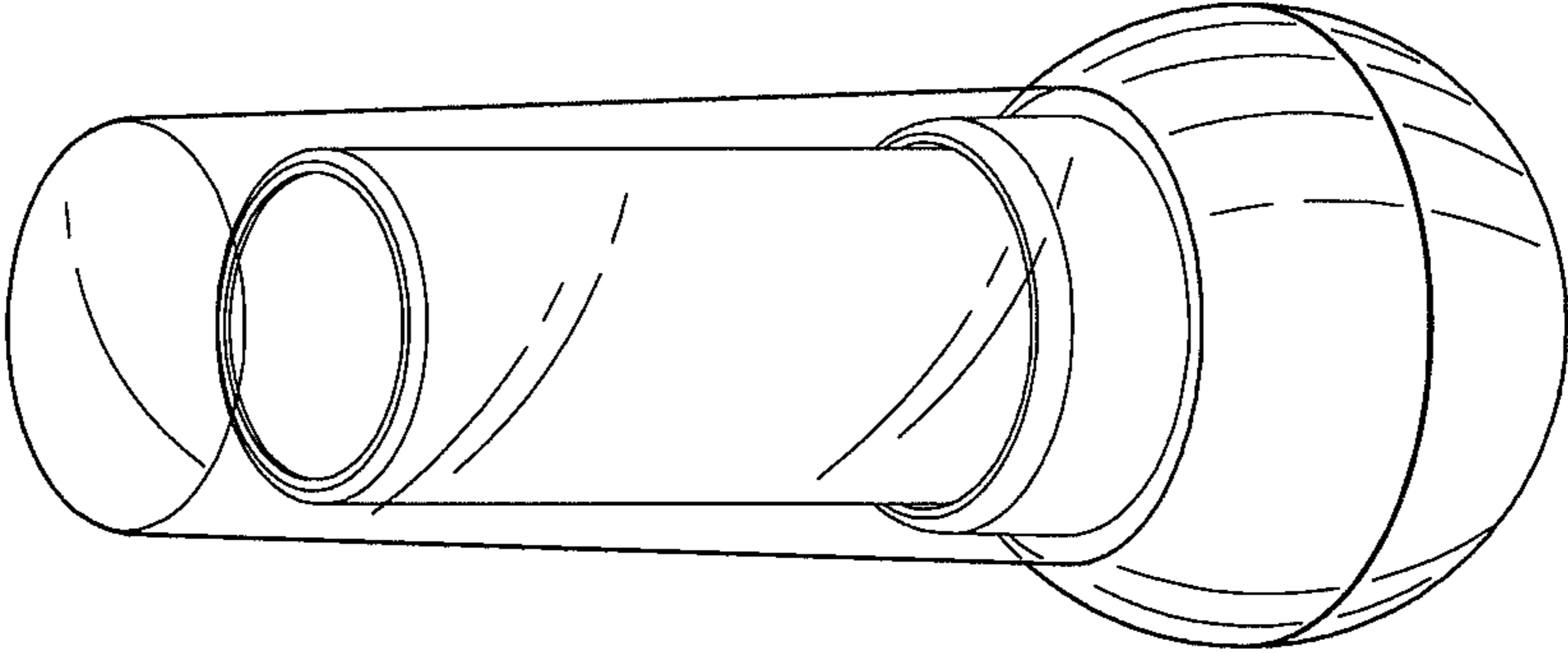


FIG. 1

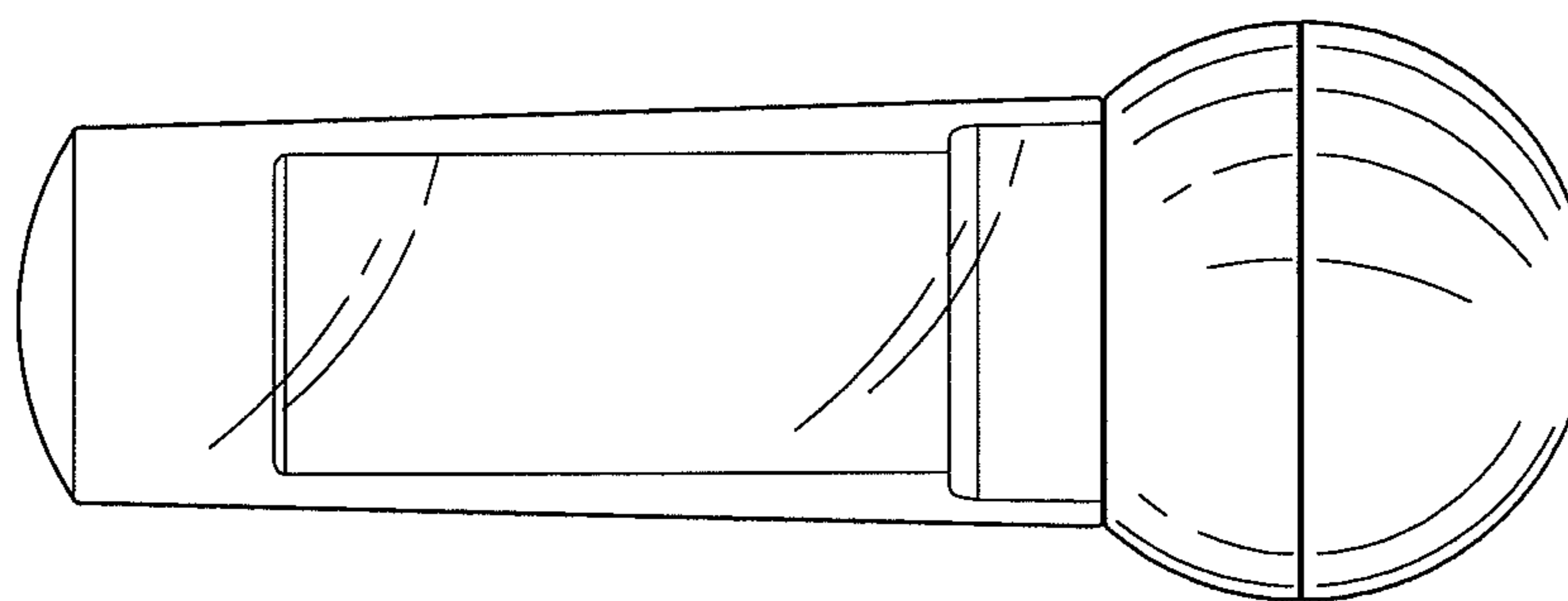


FIG. 3

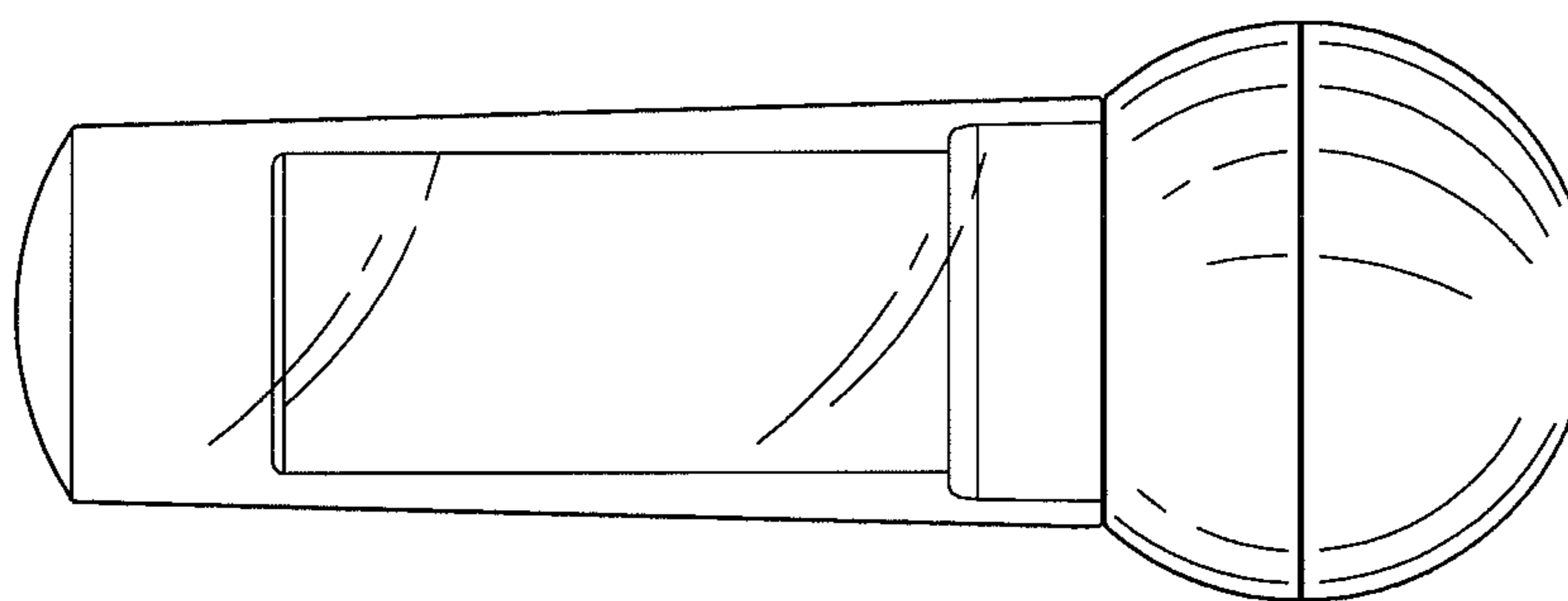


FIG. 2

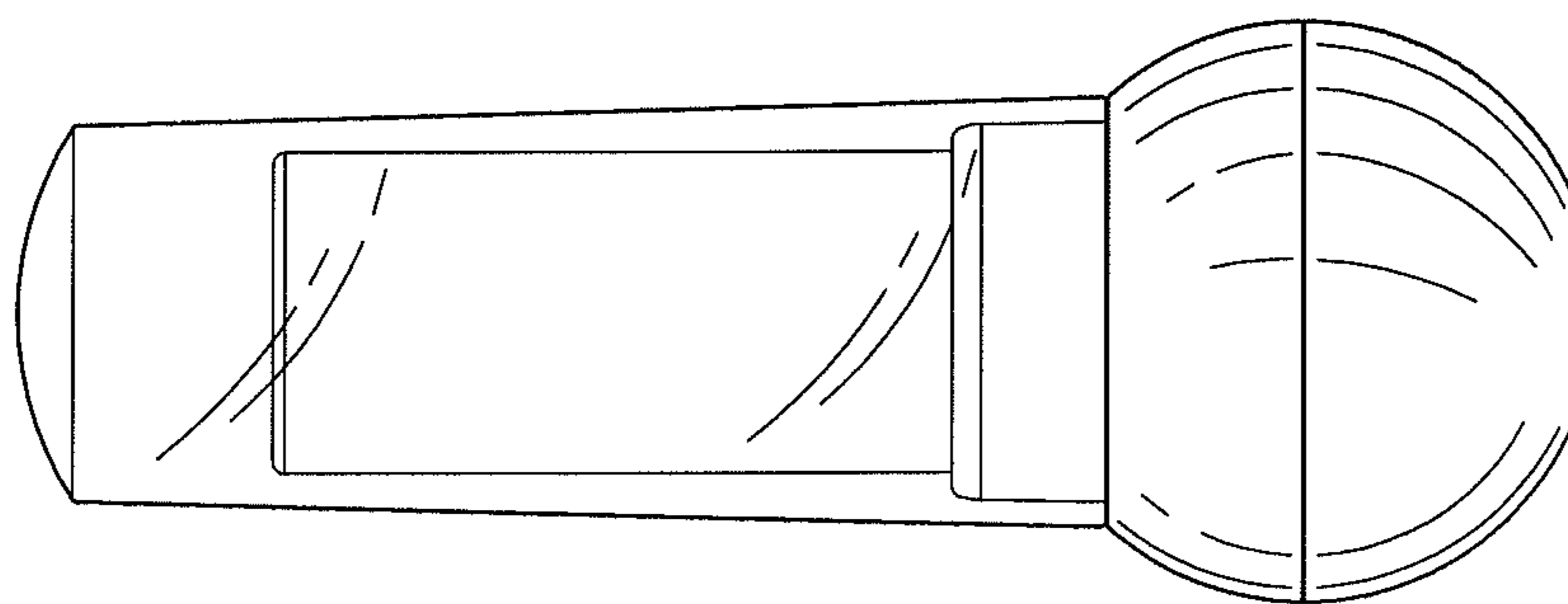


FIG. 5

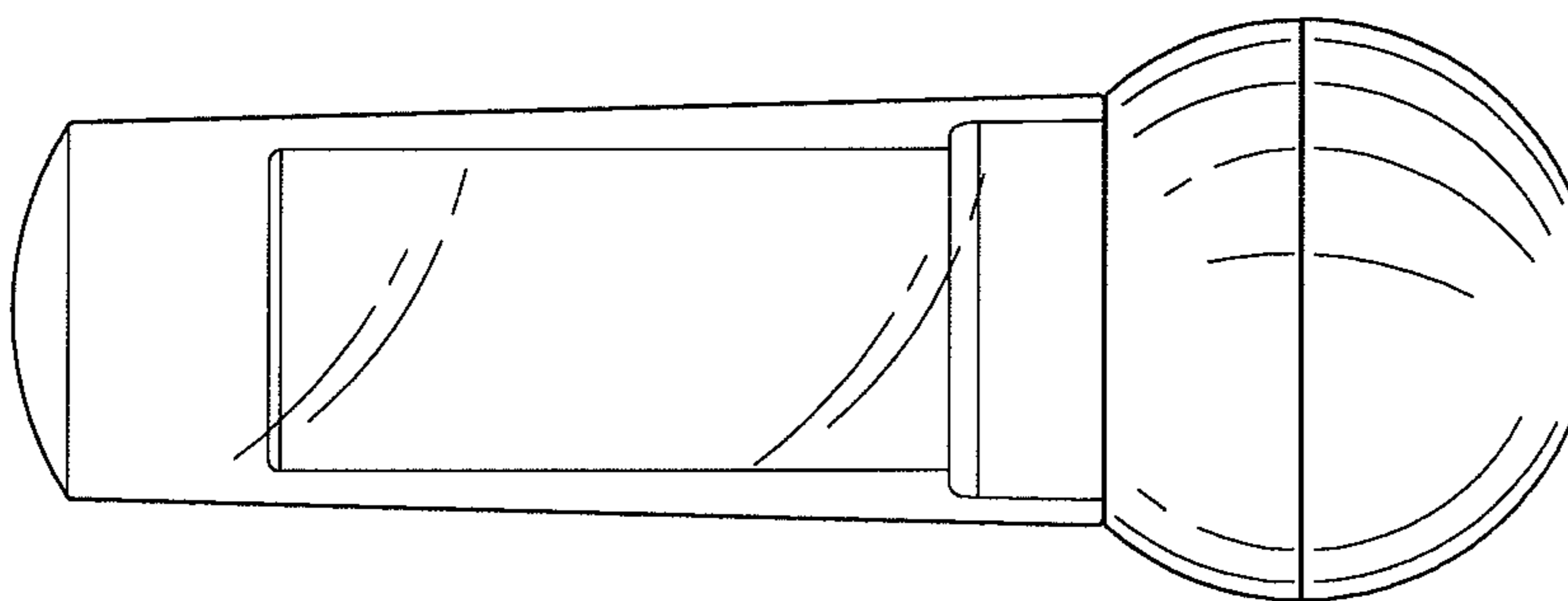


FIG. 4

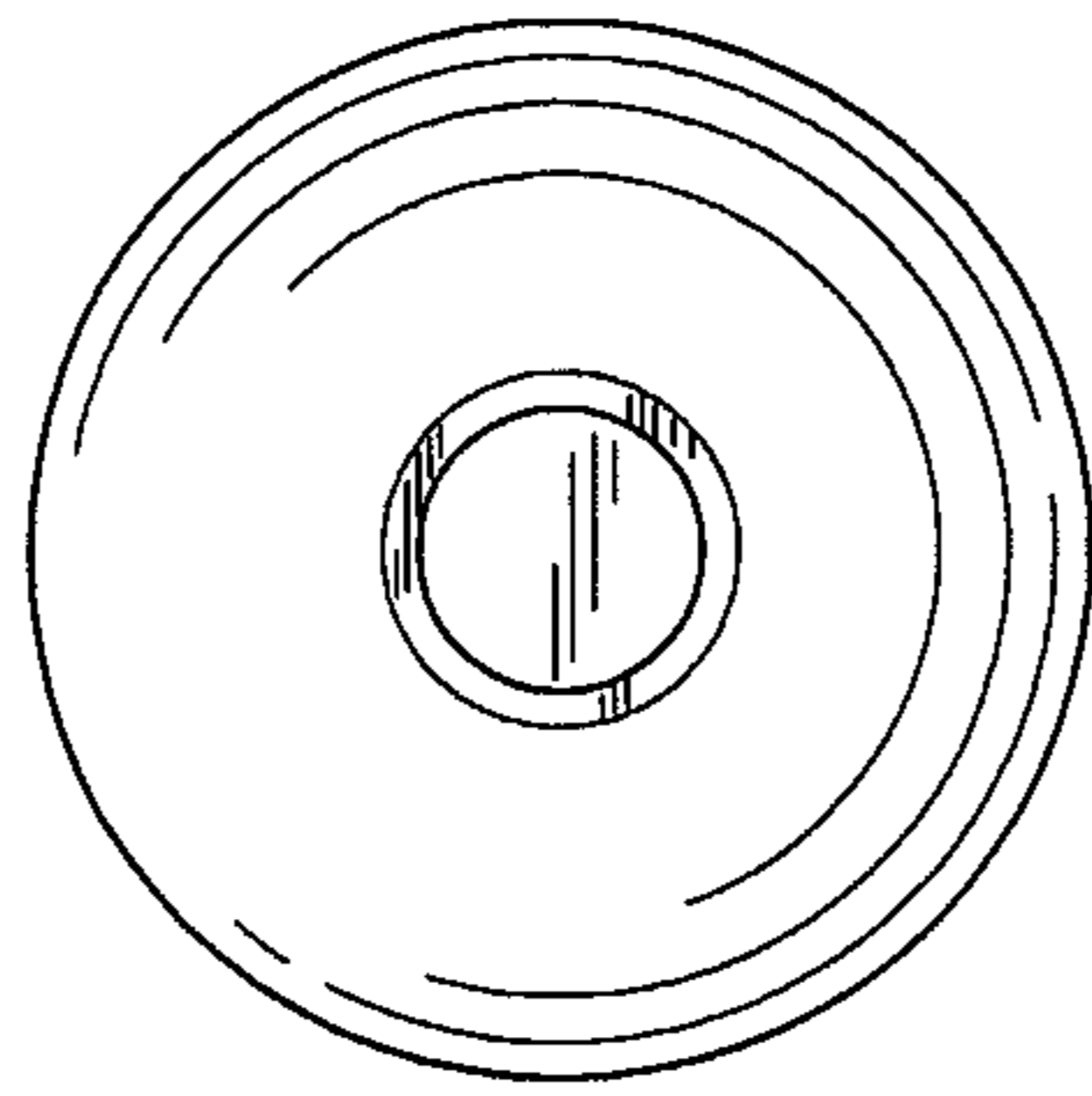


FIG. 7

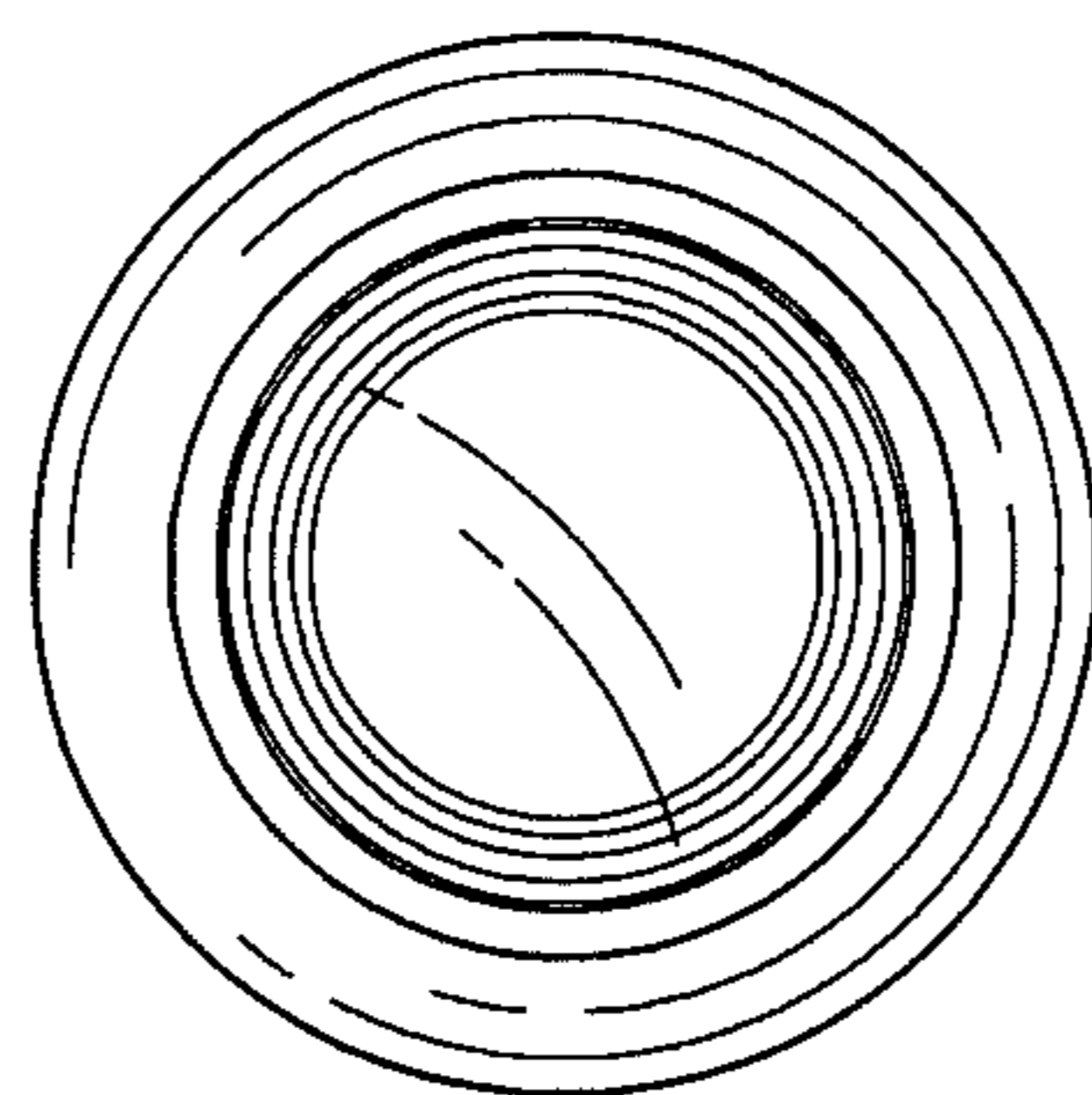


FIG. 6