



US00D682473S

(12) **United States Design Patent**  
**Maier**

(10) **Patent No.:** **US D682,473 S**

(45) **Date of Patent:** **\*\* May 14, 2013**

(54) **PORTABLE MIRROR**

(75) Inventor: **Tomas Maier**, Delray Beach, FL (US)

(73) Assignee: **Bottega Veneta International S.A.R.L.**,  
Luxembourg (LU)

(\*\*) Term: **14 Years**

(21) Appl. No.: **29/402,741**

(22) Filed: **Sep. 27, 2011**

(30) **Foreign Application Priority Data**

Apr. 15, 2011 (WO) ..... DM/076 492

(51) **LOC (9) Cl.** ..... **28-03**

(52) **U.S. Cl.**  
USPC ..... **D28/64.3; D28/64.6**

(58) **Field of Classification Search** ..... D28/64.1-64.6;  
D6/300, 303, 309; 359/871-884; 132/316  
See application file for complete search history.

(56) **References Cited**

**U.S. PATENT DOCUMENTS**

D413,184 S *	8/1999	Cooper	.....	D28/64.3
D429,569 S *	8/2000	Miller	.....	D28/64.4
D484,277 S *	12/2003	Prince et al.	.....	D28/64.1
D484,278 S *	12/2003	Prince et al.	.....	D28/64.1
D484,279 S *	12/2003	Prince et al.	.....	D28/64.6

\* cited by examiner

*Primary Examiner* — Jennifer Rivard

(74) *Attorney, Agent, or Firm* — Lucas & Mercanti, LLP

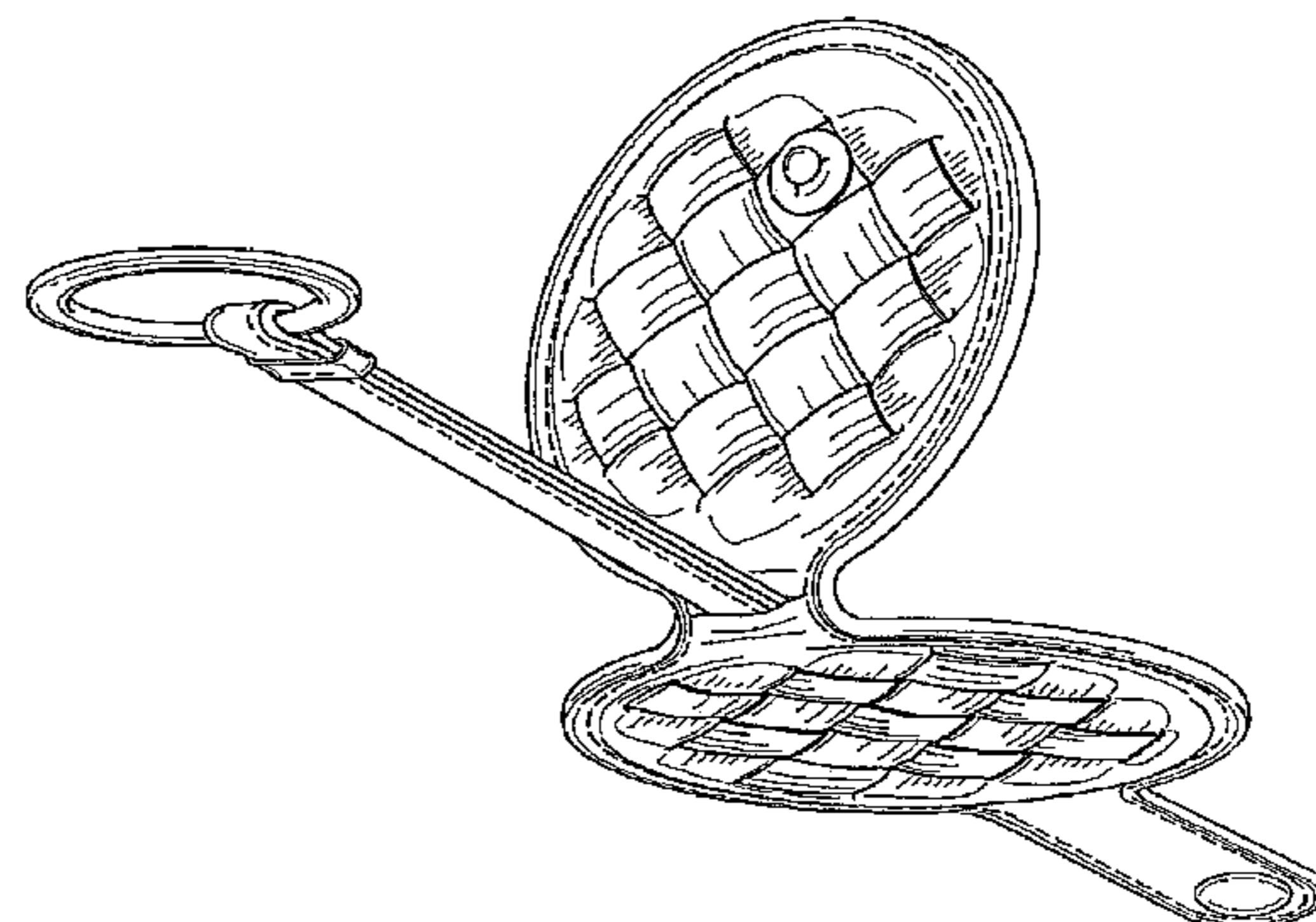
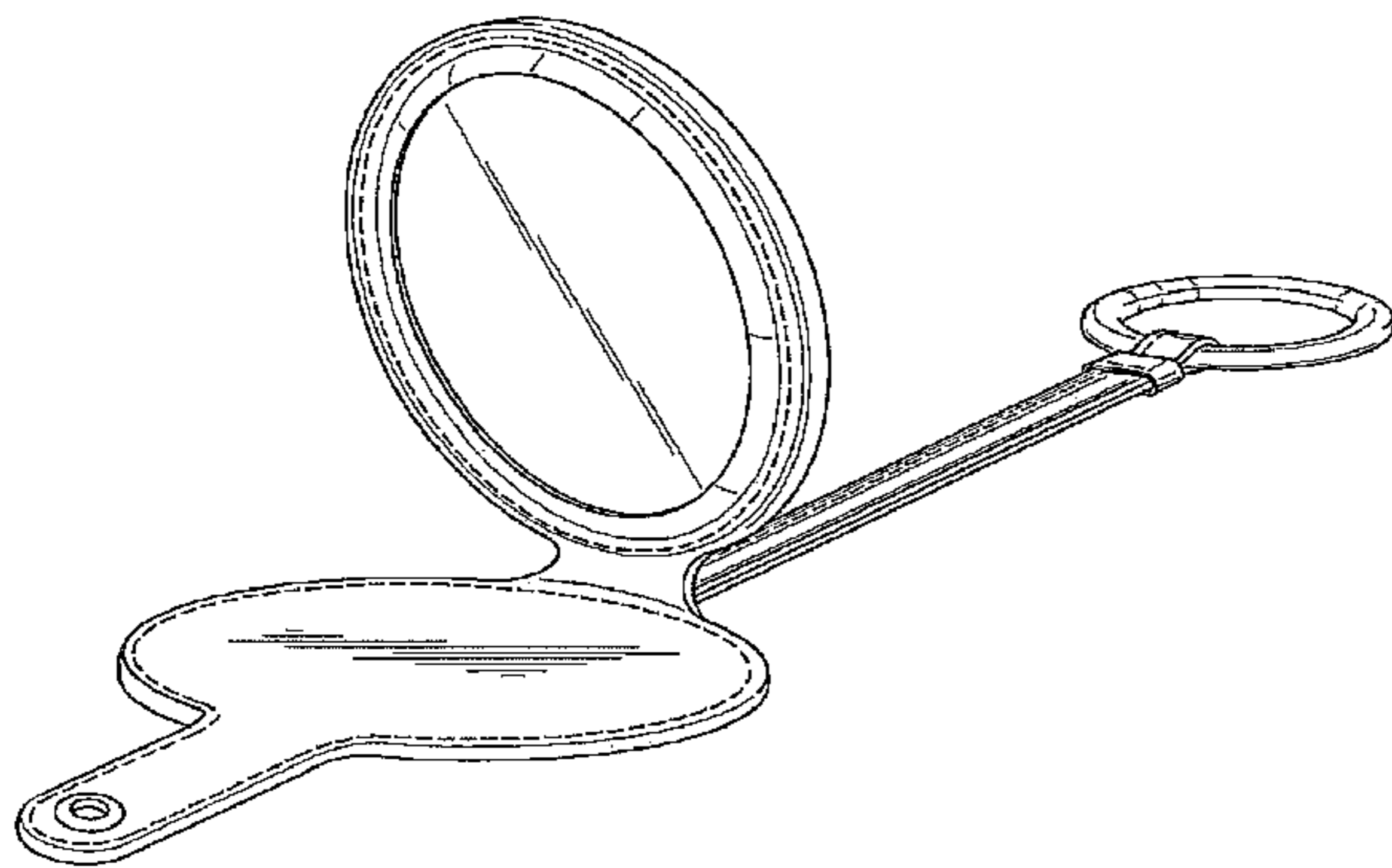
(57) **CLAIM**

The ornamental design for a portable mirror, as shown and described.

**DESCRIPTION**

FIG. 1 is a top perspective view of a portable mirror showing my new design in a closed position;  
 FIG. 2 is a bottom perspective view of the mirror in the closed position;  
 FIG. 3 is a bottom view of the mirror in the closed position;  
 FIG. 4 is a side view of the mirror in the closed position;  
 FIG. 5 is a top view of the mirror in the closed position;  
 FIG. 6 is an opposite side view of the mirror in the closed position;  
 FIG. 7 is a top perspective view of a mirror in an open position;  
 FIG. 8 is a bottom perspective view of a mirror in the open position;  
 FIG. 9 is a top view of the mirror in the open position;  
 FIG. 10 is a side view of the mirror in the open position;  
 FIG. 11 is a back top view of the mirror in the open position;  
 and,  
 FIG. 12 is an opposite side view of the mirror in the open position.  
 The broken lines shown in the drawings illustrate claimed stitching.

**1 Claim, 5 Drawing Sheets**



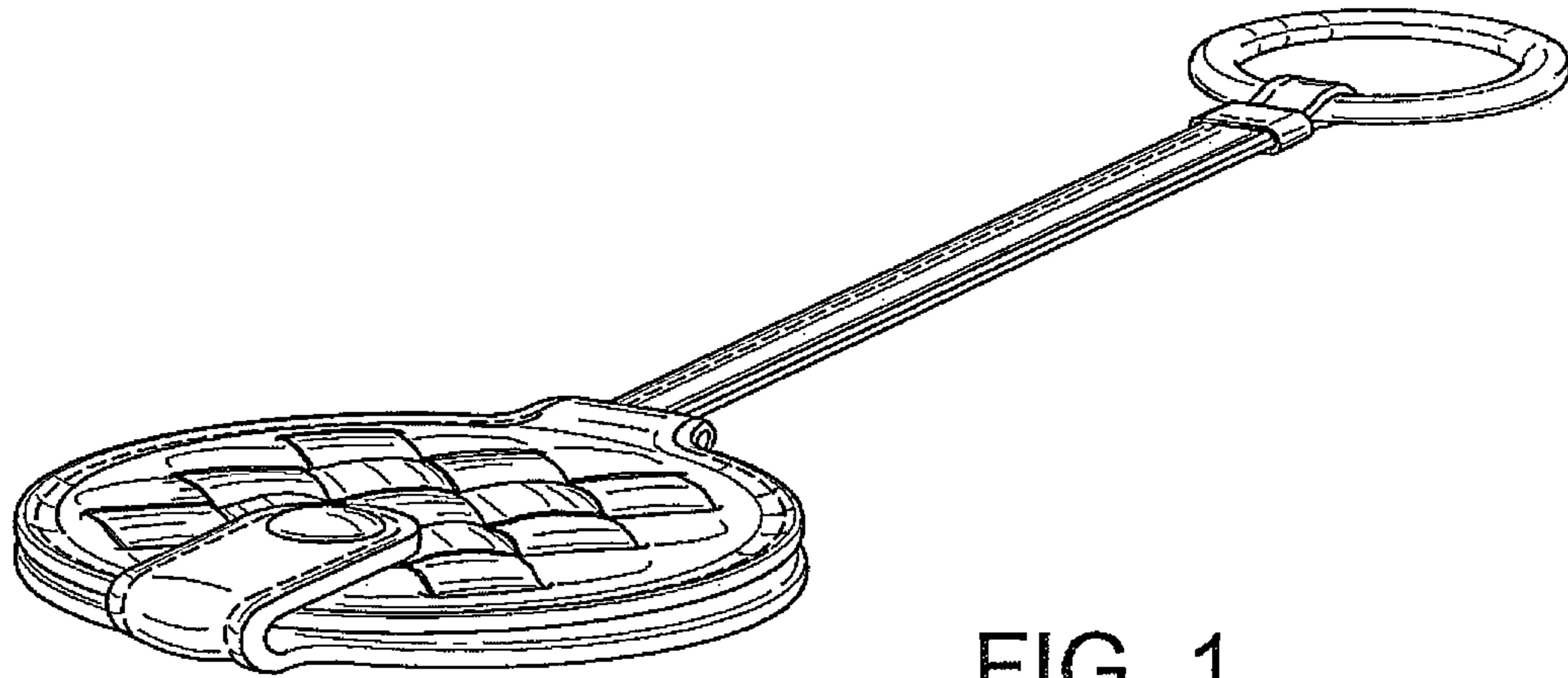


FIG. 1

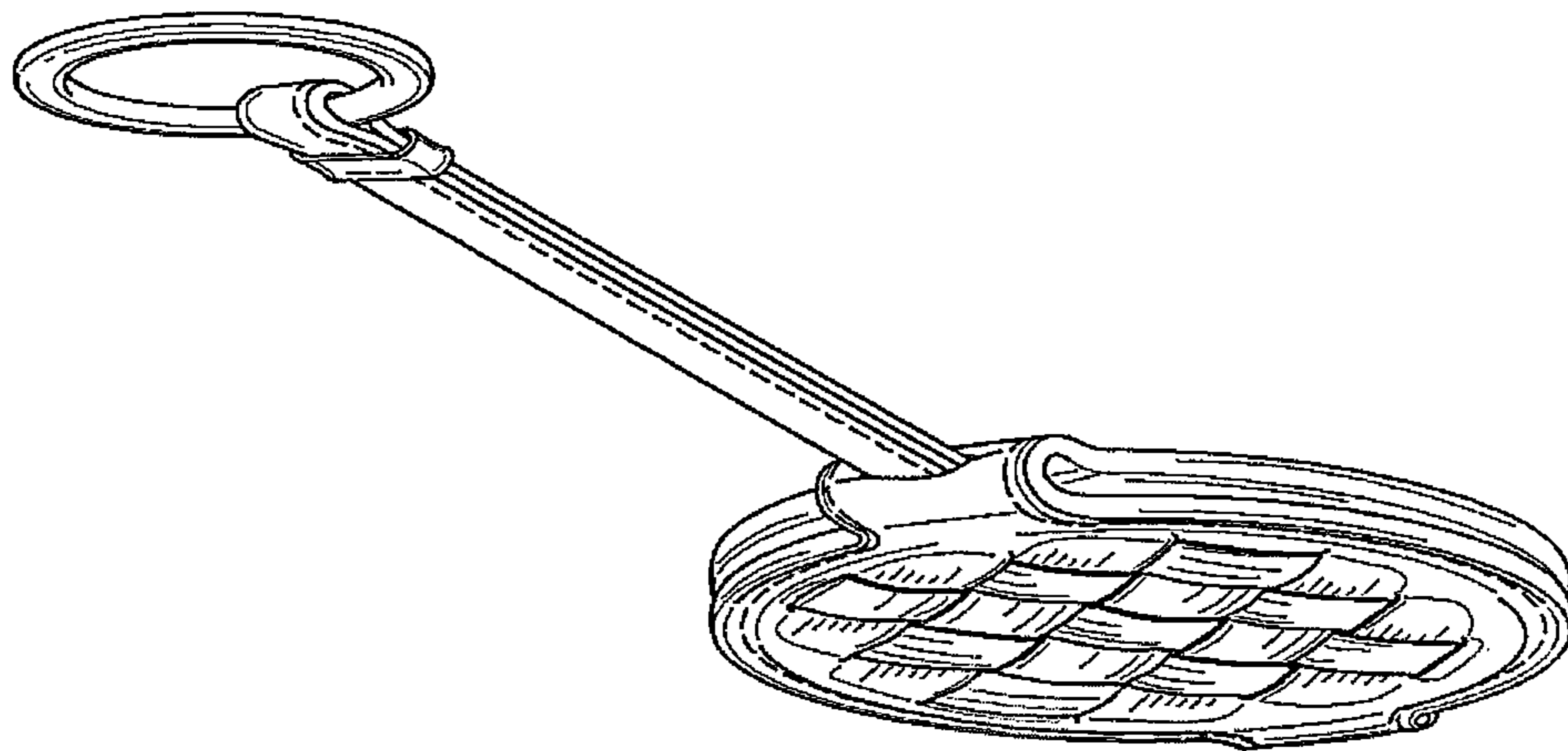


FIG. 2

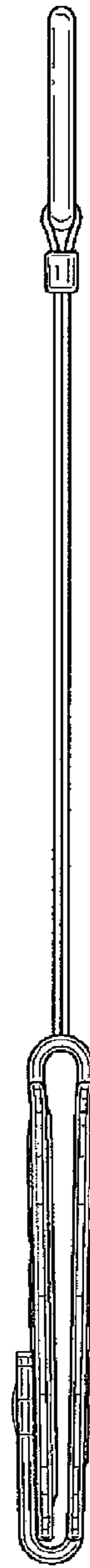
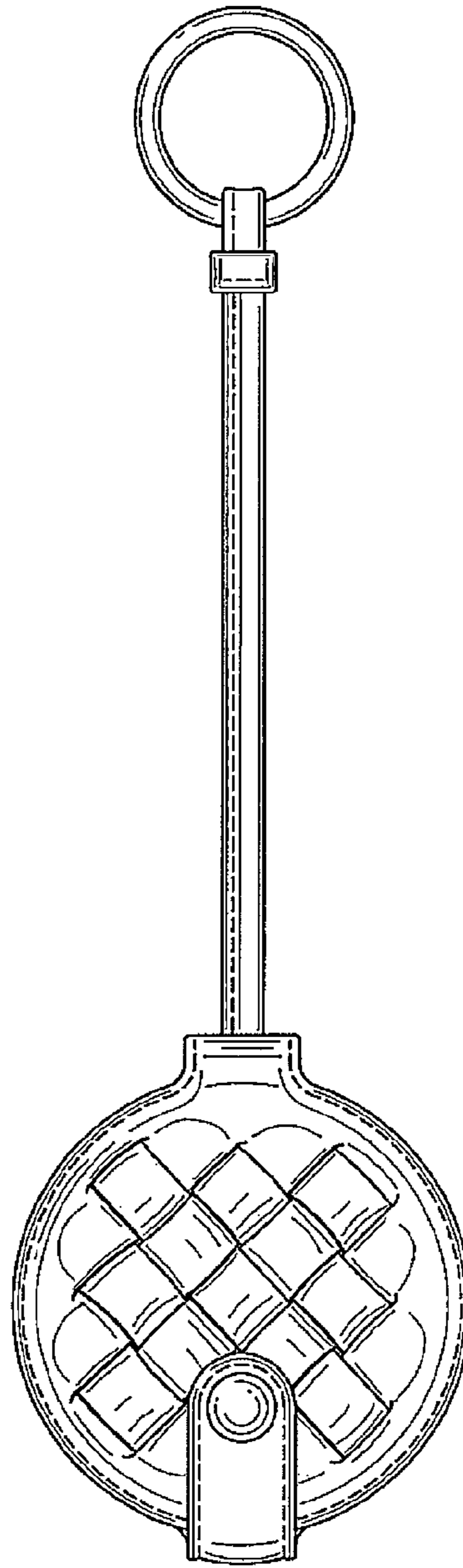
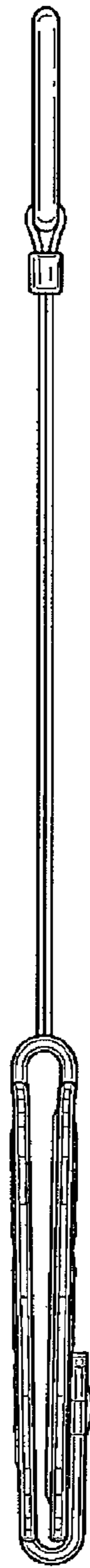
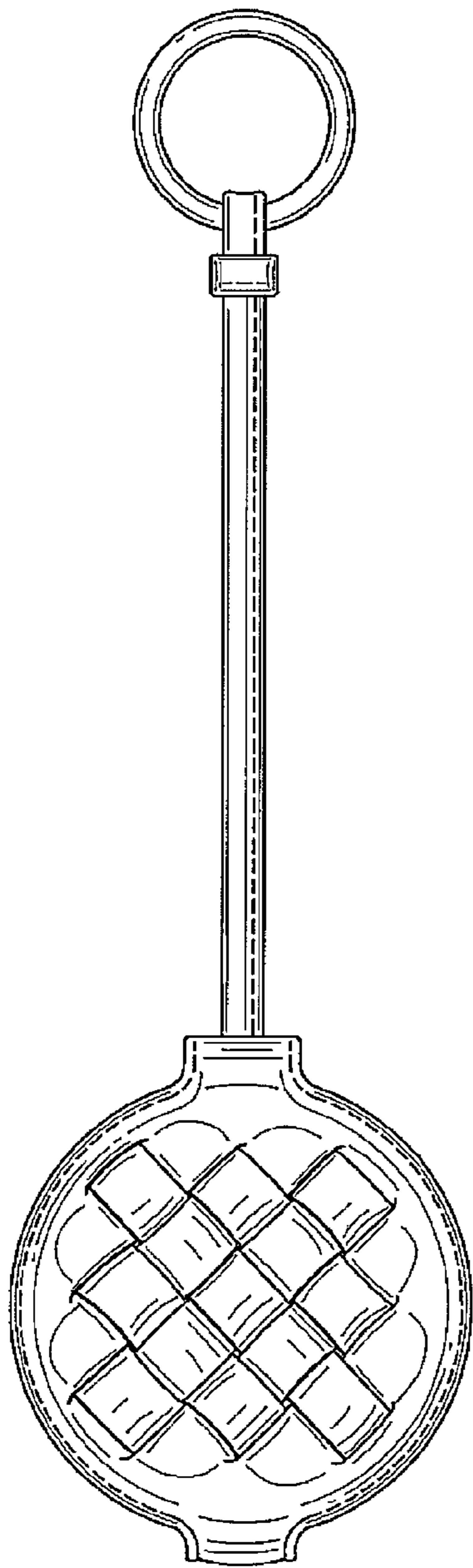


FIG. 3

FIG. 4

FIG. 5

FIG. 6

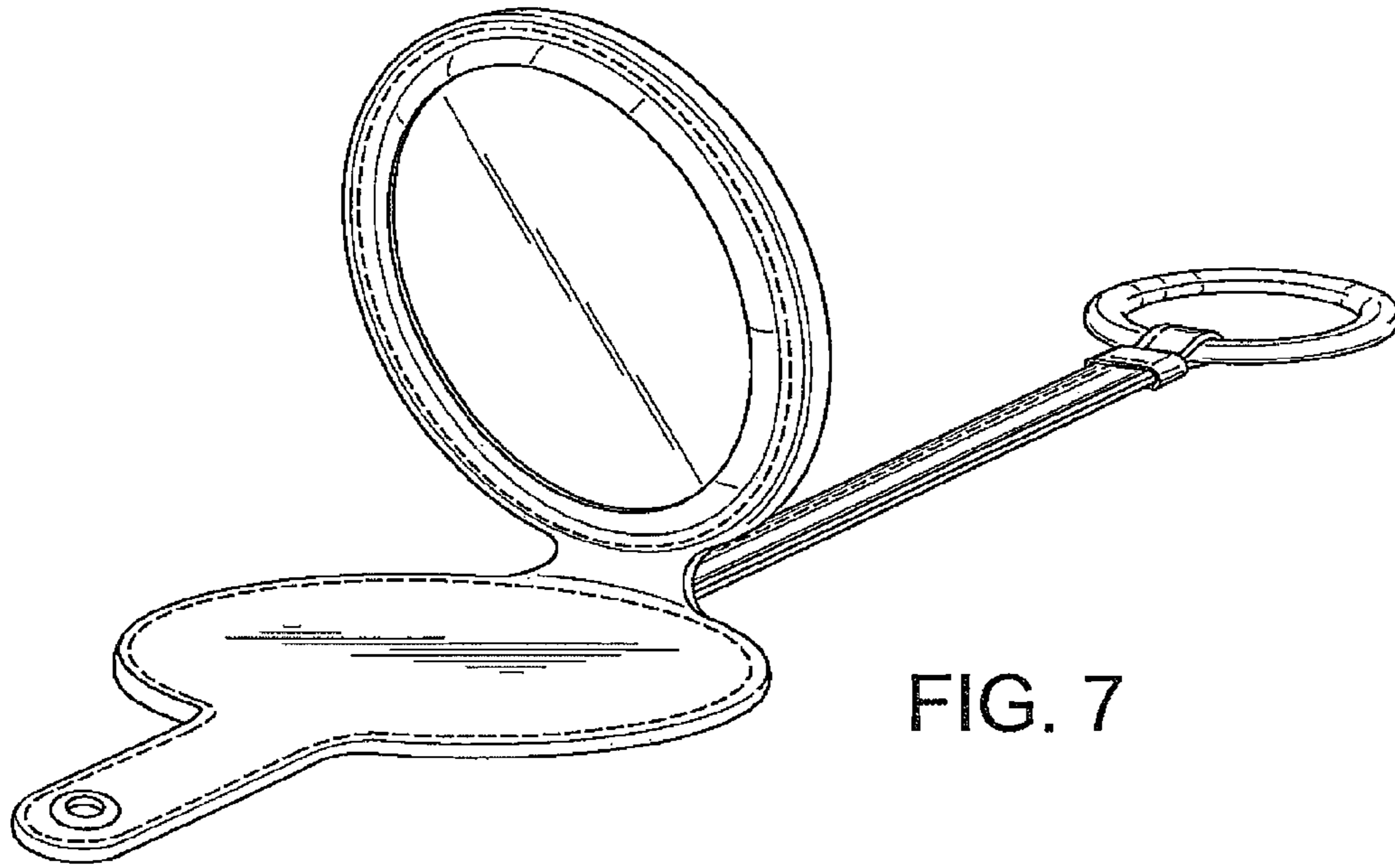


FIG. 7

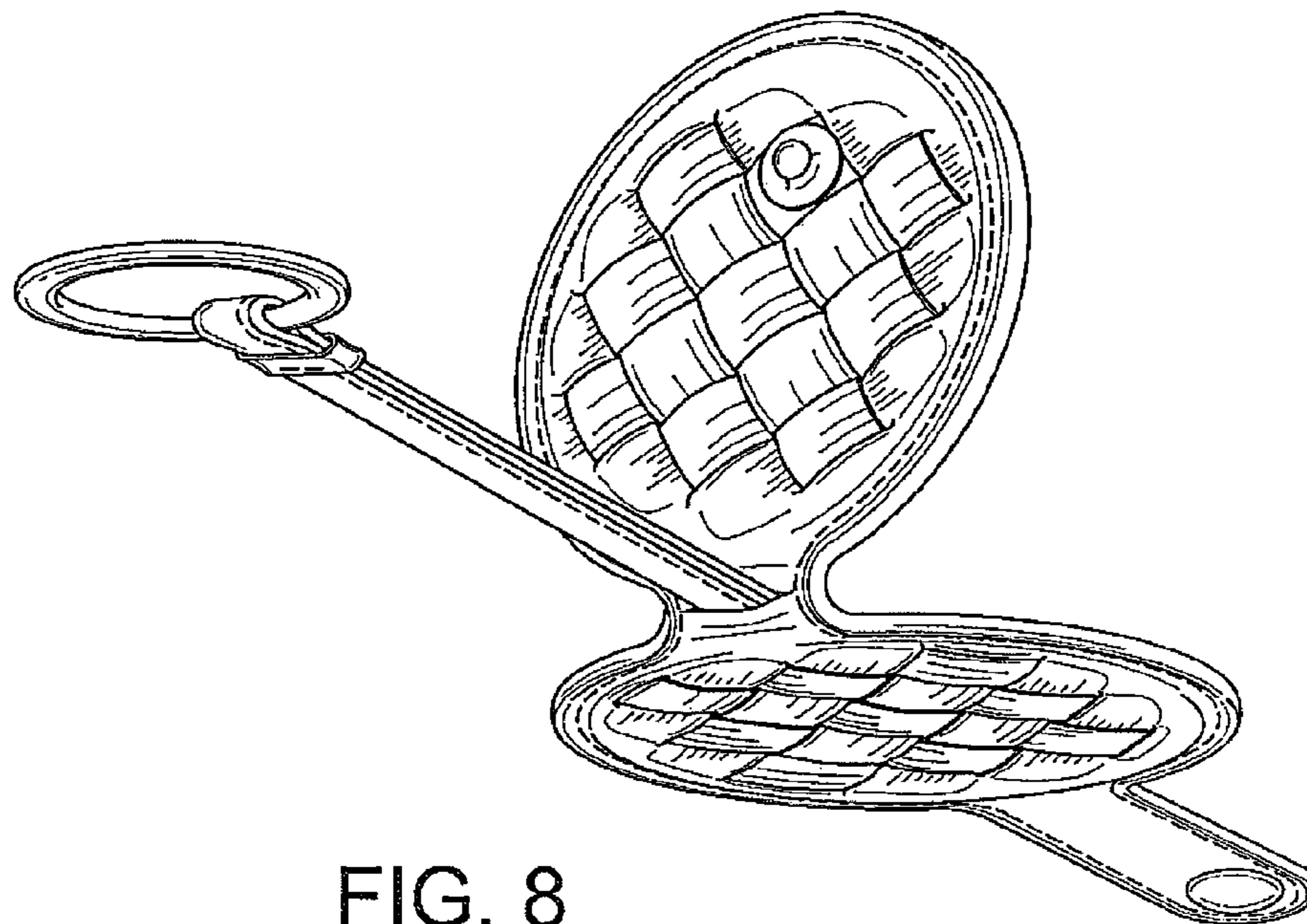


FIG. 8

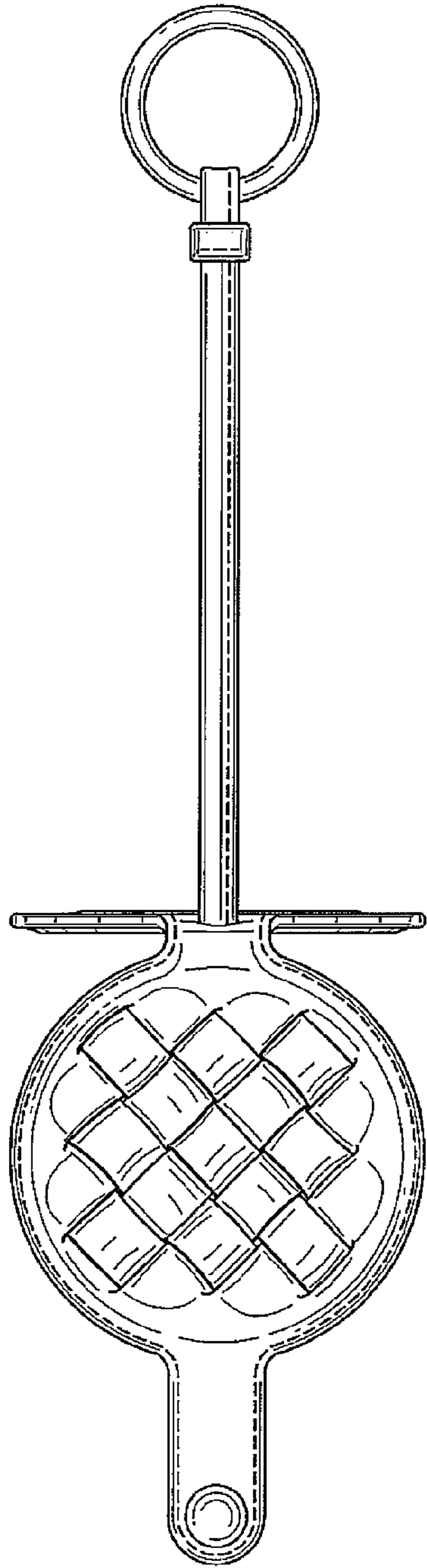


FIG. 9

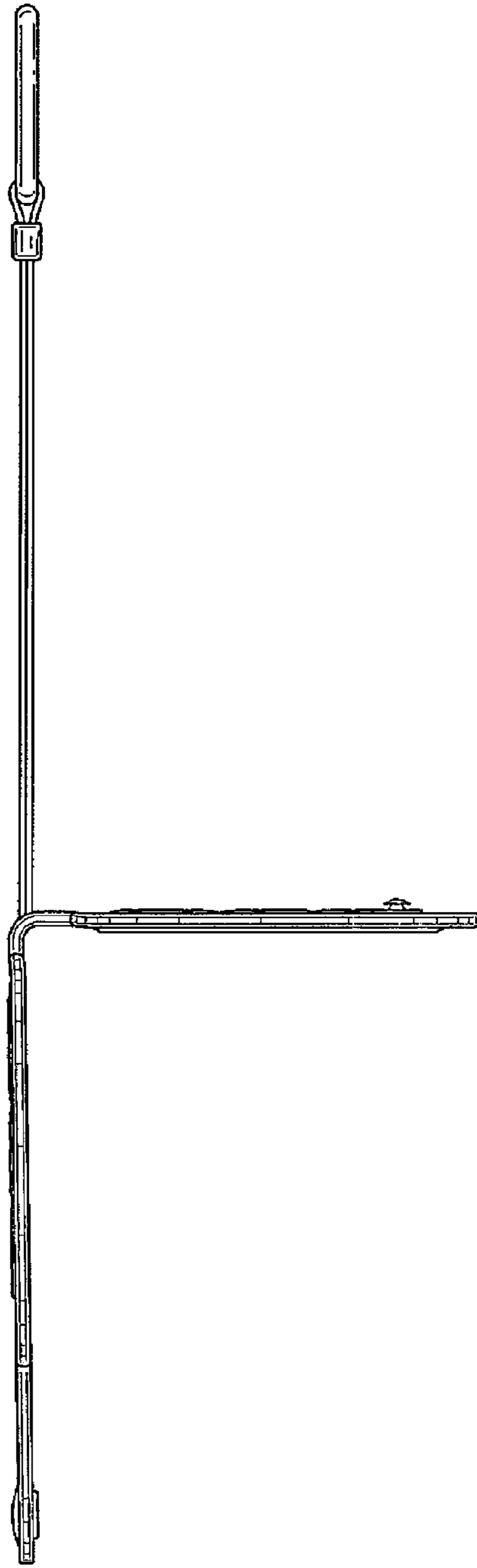


FIG. 10

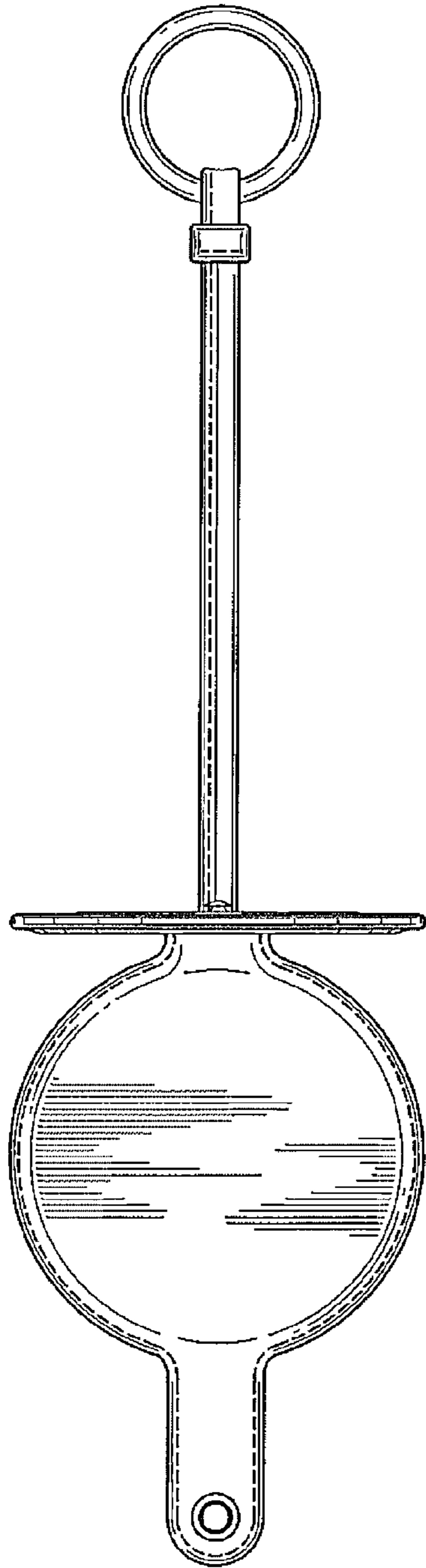


FIG. 11

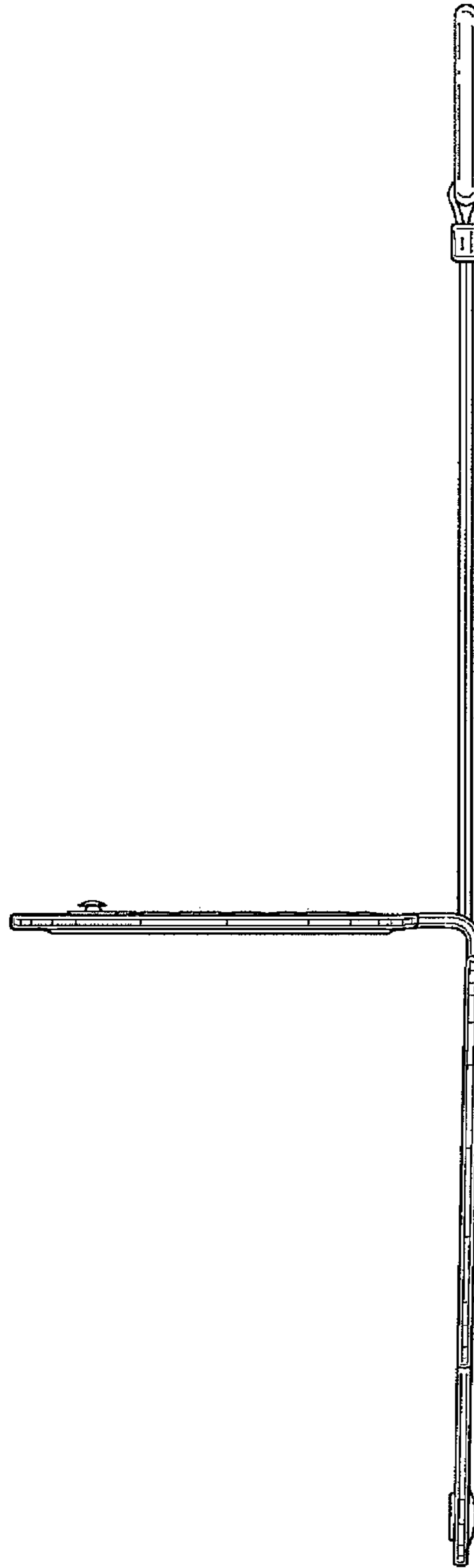


FIG. 12