

US00D682472S

(12) **United States Design Patent**
Dyson et al.

(10) **Patent No.:** **US D682,472 S**

(45) **Date of Patent:** **** May 14, 2013**

(54) **PART OF A HAND DRYER**

(75) Inventors: **James Dyson**, Malmesbury (GB); **Peter David Gammack**, Malmesbury (GB); **Marcus Lee Hartley**, Malmesbury (GB); **Stephen Benjamin Courtney**, Malmesbury (GB); **Patrick Joseph William Moloney**, Malmesbury (GA); **Christopher Lesniowski**, Malmesbury (GB)

(73) Assignee: **Dyson Technology Limited**, Malmesbury (GB)

(**) Term: **14 Years**

(21) Appl. No.: **29/407,035**

(22) Filed: **Nov. 22, 2011**

(30) **Foreign Application Priority Data**

May 23, 2011 (EM) 001277537-0001

(51) **LOC (9) Cl.** **28-03**

(52) **U.S. Cl.**
USPC **D28/54.1**

(58) **Field of Classification Search** D28/12,
D28/54.1, 58; 34/266, 201, 202; 392/381,
392/380; D23/357, 361, 385

See application file for complete search history.

(56) **References Cited**

U.S. PATENT DOCUMENTS

4,206,556	A *	6/1980	Sabo et al.	34/90
4,914,273	A *	4/1990	Matsui	219/222
D394,917	S *	6/1998	Bloom	D28/58
6,769,197	B1 *	8/2004	Tai	34/90
6,842,581	B2 *	1/2005	Schafer	392/380
6,959,145	B1 *	10/2005	Narvaez	392/382
7,814,677	B2 *	10/2010	Brewer et al.	34/98

* cited by examiner

Primary Examiner — Zenia Bennett

(74) *Attorney, Agent, or Firm* — Morrison & Foerster LLP

(57) **CLAIM**

We claim the ornamental design for a part of a hand dryer, as shown and described.

DESCRIPTION

FIG. 1 is a perspective view of a part of a hand dryer showing our new design;

FIG. 2 is a side view thereof;

FIG. 3 is a side view of the opposite side of FIG. 2;

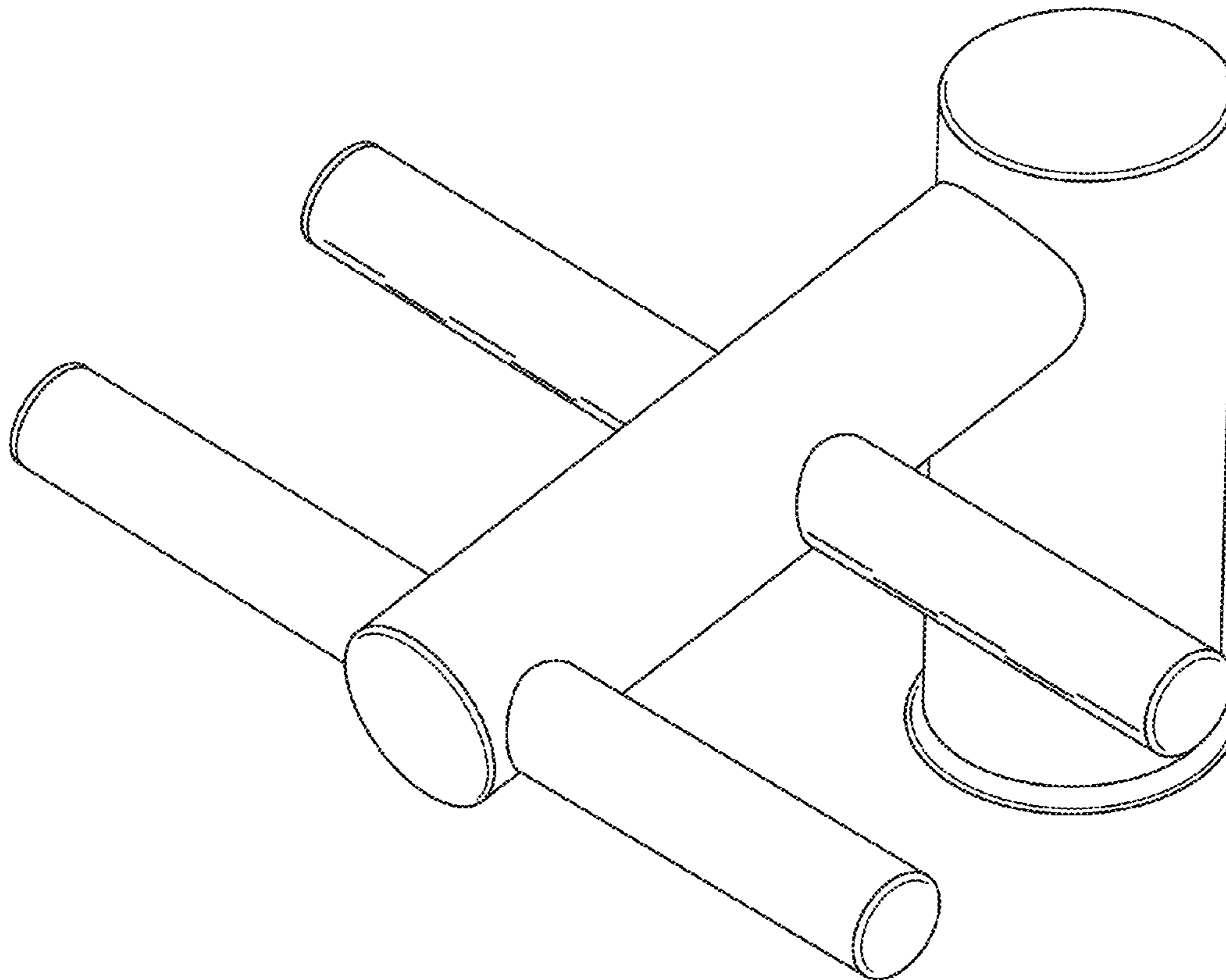
FIG. 4 is a top view thereof;

FIG. 5 is a bottom view thereof;

FIG. 6 is a front view thereof; and,

FIG. 7 is a rear view thereof.

1 Claim, 7 Drawing Sheets



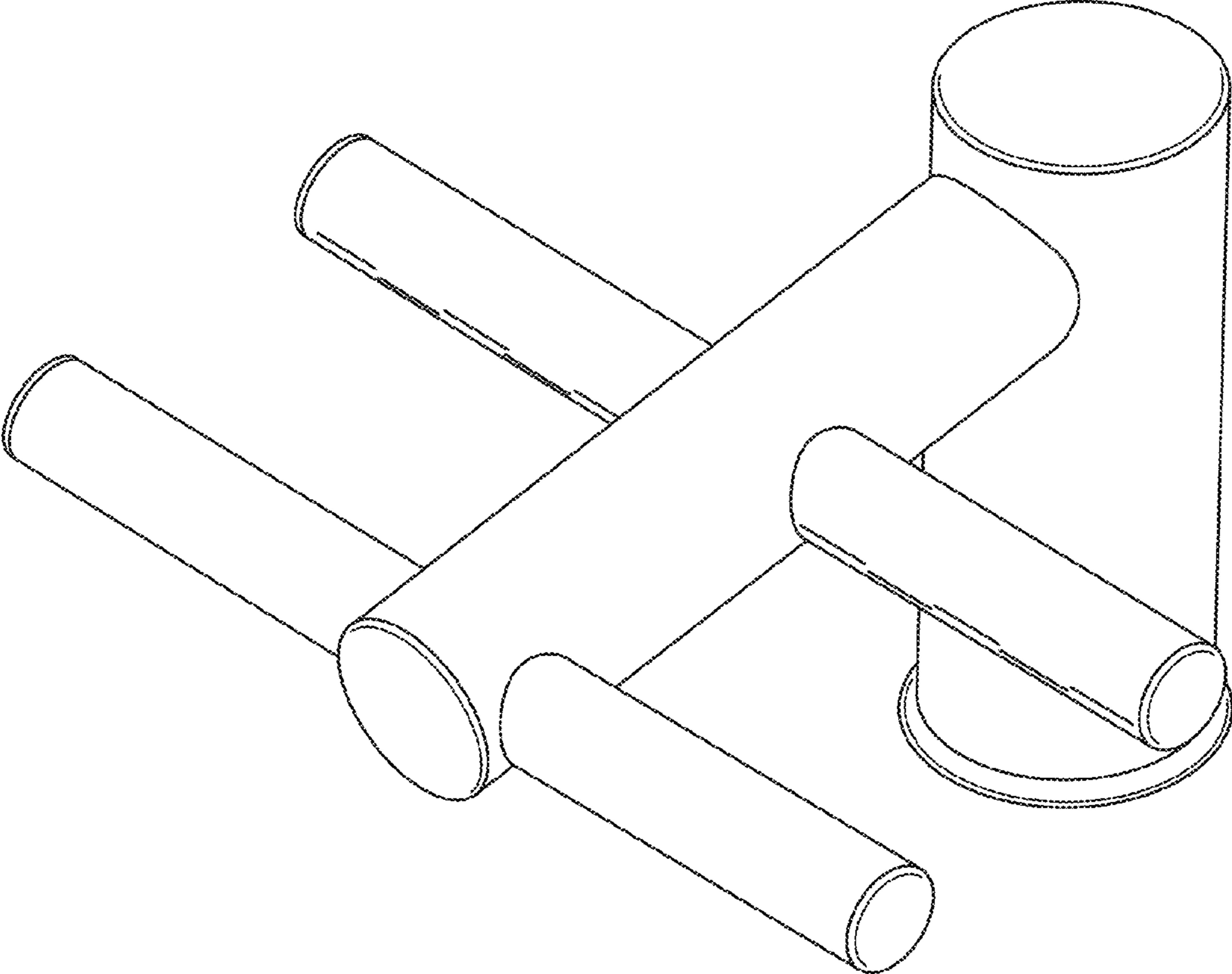


FIG. 1

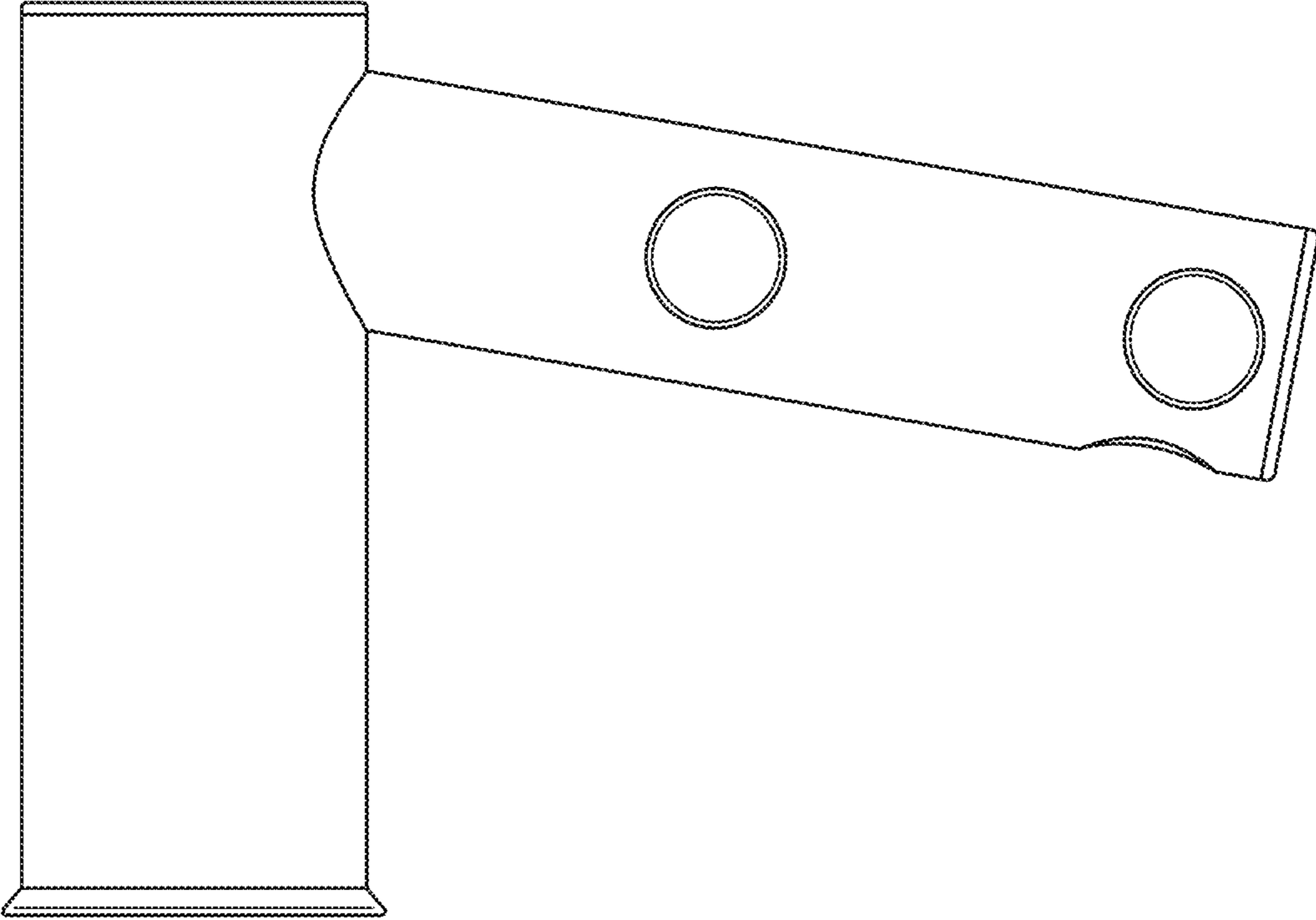


FIG. 2

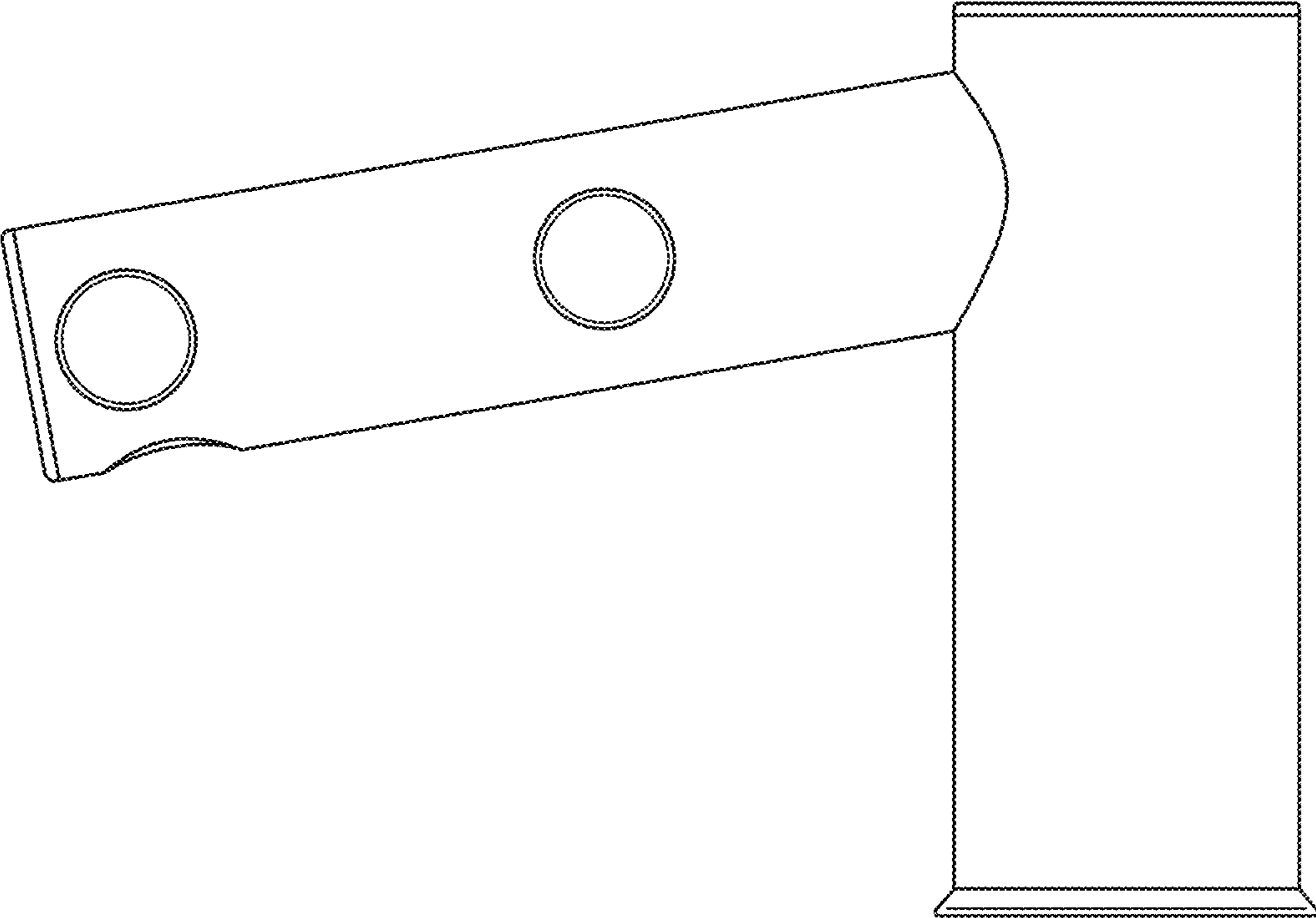


FIG. 3

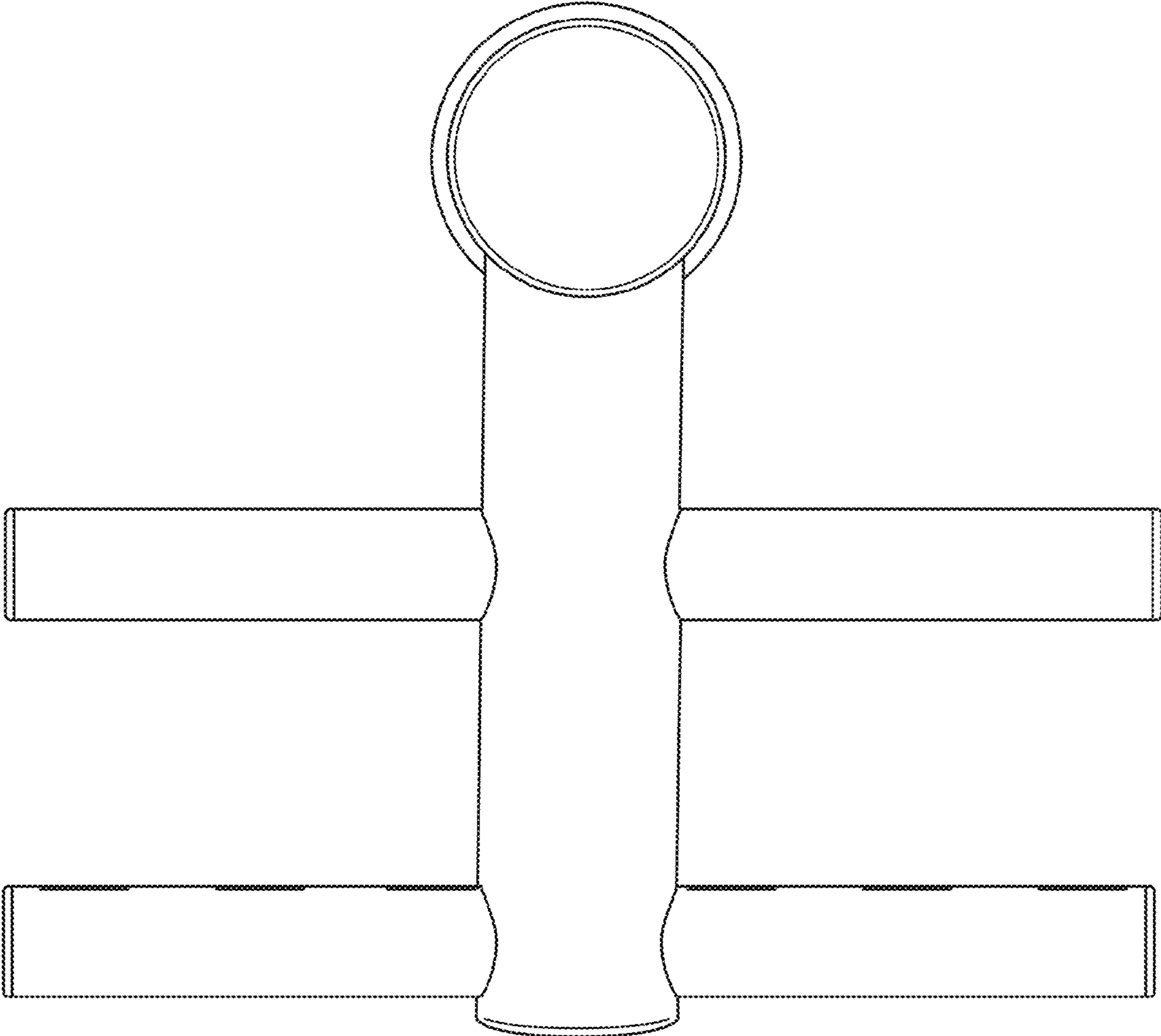


FIG. 4

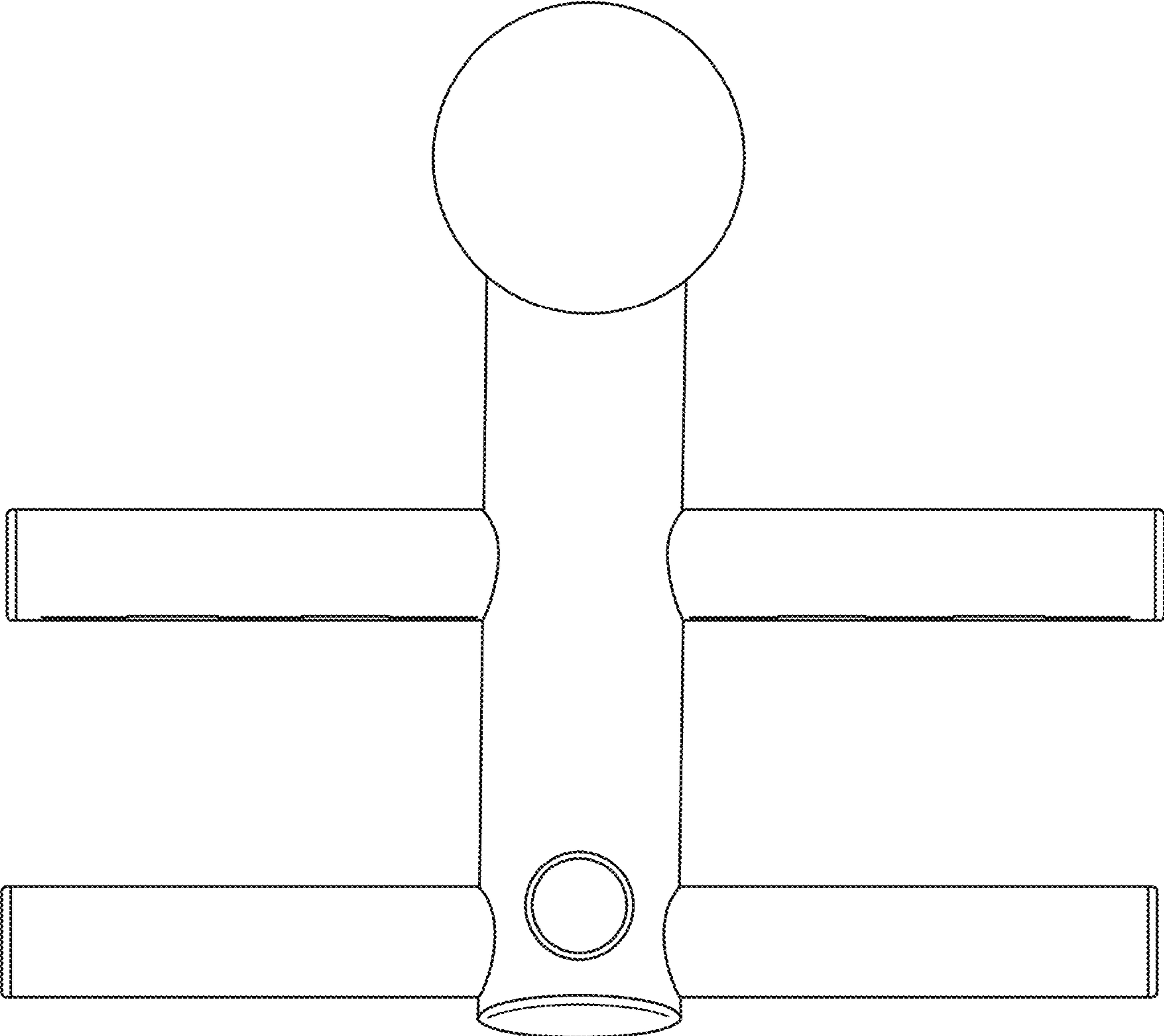


FIG. 5

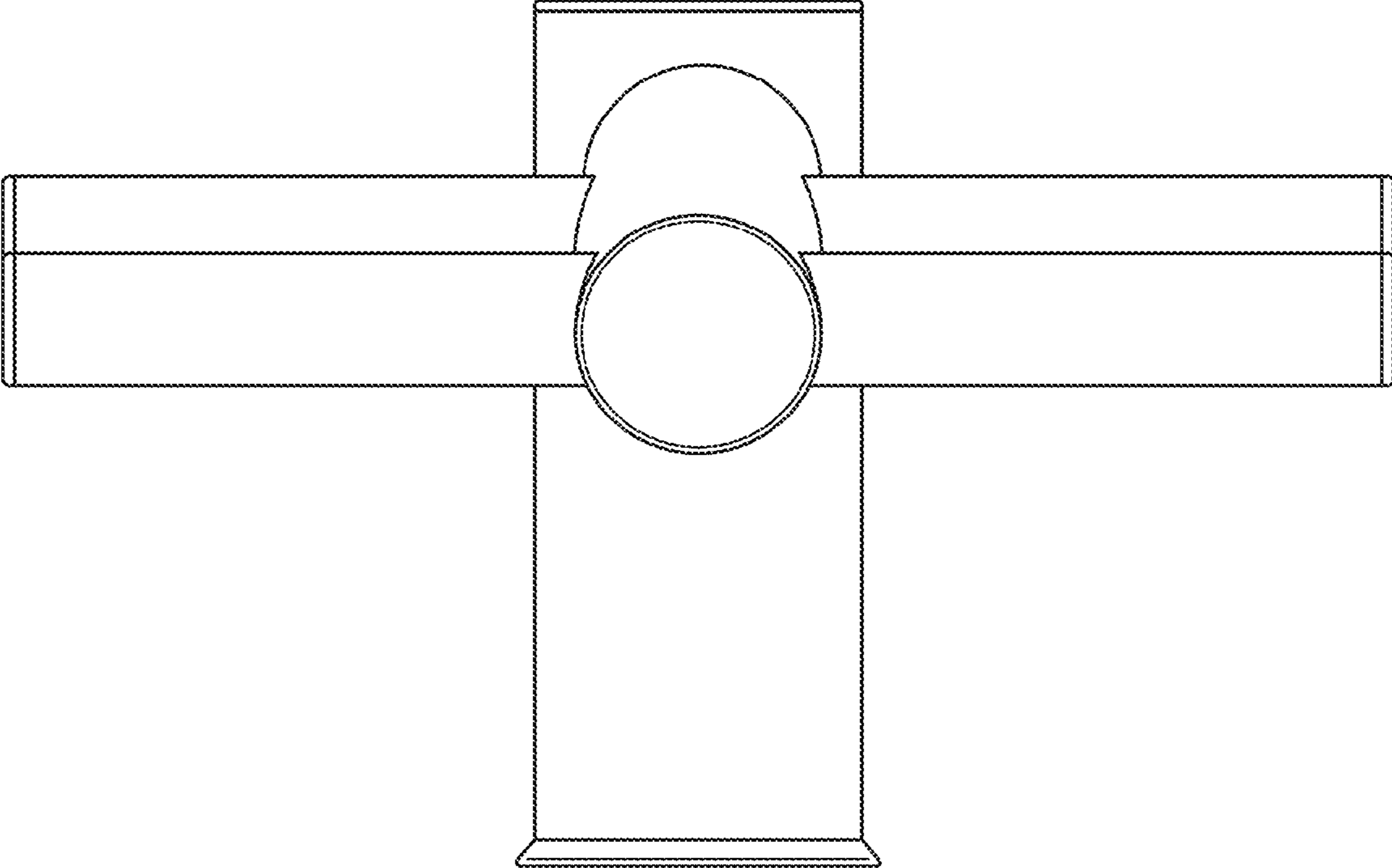


FIG. 6

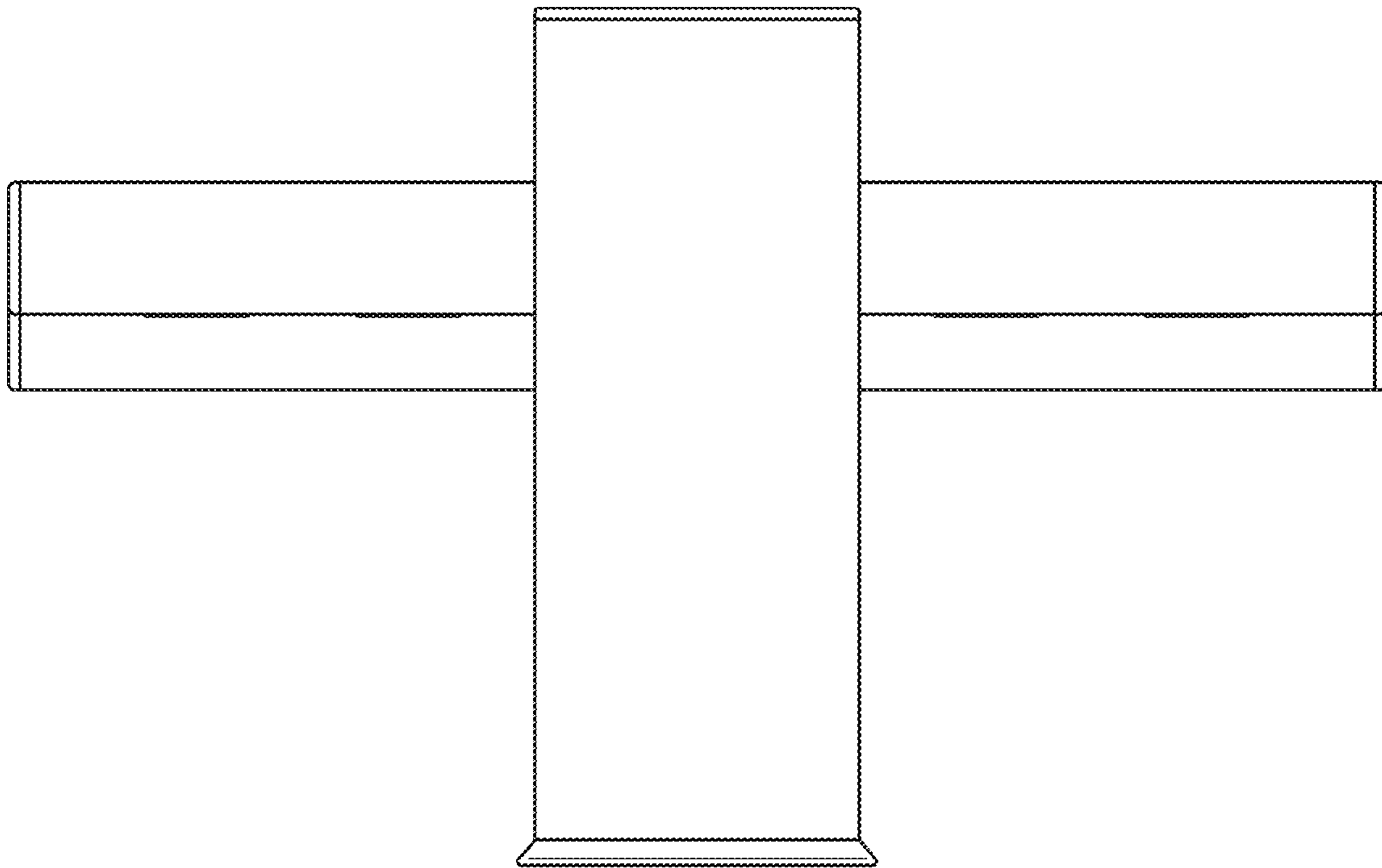


FIG. 7