



US00D682469S

(12) **United States Design Patent**
Balogh

(10) **Patent No.:** **US D682,469 S**

(45) **Date of Patent:** **** May 14, 2013**

(54) **HAIR IRON HOLDER**

(71) Applicant: **Erin Balogh**, San Marcos, CA (US)

(72) Inventor: **Erin Balogh**, San Marcos, CA (US)

(73) Assignee: **Gobalo, LLC**, San Marcos, CA (US)

(**) Term: **14 Years**

(21) Appl. No.: **29/434,684**

(22) Filed: **Oct. 16, 2012**

(51) **LOC (9) Cl.** **28-03**

(52) **U.S. Cl.**
USPC **D28/38; D28/73**

(58) **Field of Classification Search** 219/242;
211/70.6, 13.1, 113, 85.29; D28/73-75,
D28/38; 206/349; D6/513

See application file for complete search history.

(56) **References Cited**

U.S. PATENT DOCUMENTS

D243,559	S	*	3/1977	Hoyle et al.	D28/38
4,103,145	A	*	7/1978	Oliveri	219/222
D286,238	S	*	10/1986	Burton	D6/573
D346,243	S	*	4/1994	Weber	D28/38
5,743,415	A	*	4/1998	Smart	211/70.6
D423,717	S	*	4/2000	Taylor	D28/38
6,068,122	A	*	5/2000	Burns et al.	206/372
D607,607	S	*	1/2010	Russell	D28/73
D670,865	S	*	11/2012	Cooper et al.	D28/73
2003/0062278	A1	*	4/2003	Bean	206/349
2007/0075204	A1	*	4/2007	Fertil	248/309.1

* cited by examiner

Primary Examiner — Jennifer Rivard

(74) *Attorney, Agent, or Firm* — Howard Russell

(57) **CLAIM**

The ornamental design for a hair iron holder, as shown and described.

DESCRIPTION

FIG. 1 is a perspective view of a silicone hair iron holder showing my design in a position of use on a sink basin. The broken lines showing the sink basin in FIG. 1 are for illustrative purposes only and form no part of the claimed design;

FIG. 2 is an alternate perspective view of the silicone hair iron holder of FIG. 1 showing my design in the position of use on the sink basin. The broken lines showing the sink basin in FIG. 2 are for illustrative purposes only and form no part of the claimed design.

FIG. 3 is a front elevation view of the silicone hair iron holder of FIG. 1;

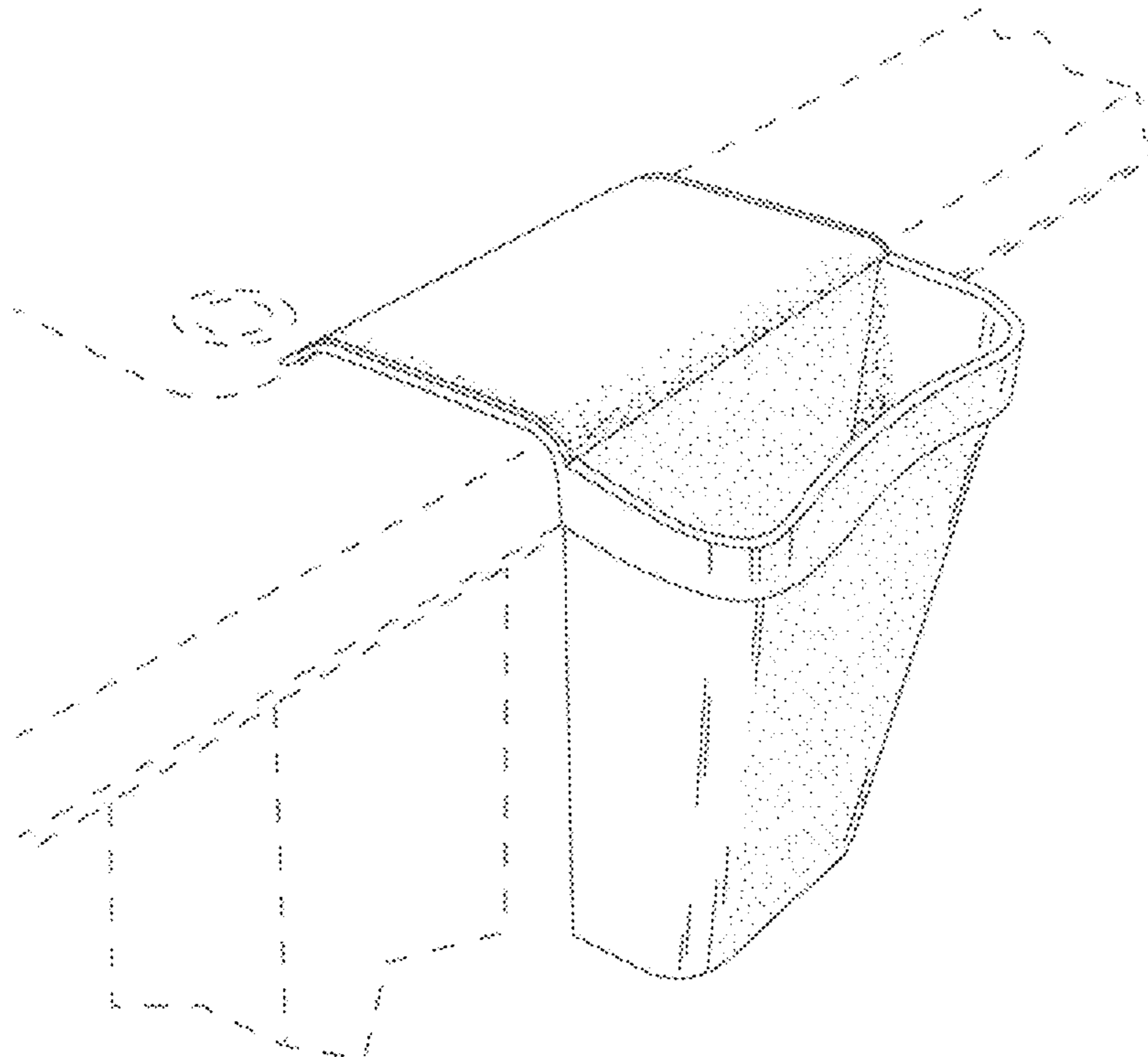
FIG. 4 is a left side elevation view of the silicone hair iron holder of FIG. 1. A right side elevation view of the silicone hair iron holder of FIG. 1 (not illustrated) is a mirror image of the left side elevation;

FIG. 5 is a top elevation view of the silicone hair iron holder of FIG. 1;

FIG. 6 is a bottom elevation view of the silicone hair iron holder of FIG. 1; and,

FIG. 7 is a back elevation view of the silicone hair iron holder of FIG. 1.

1 Claim, 7 Drawing Sheets



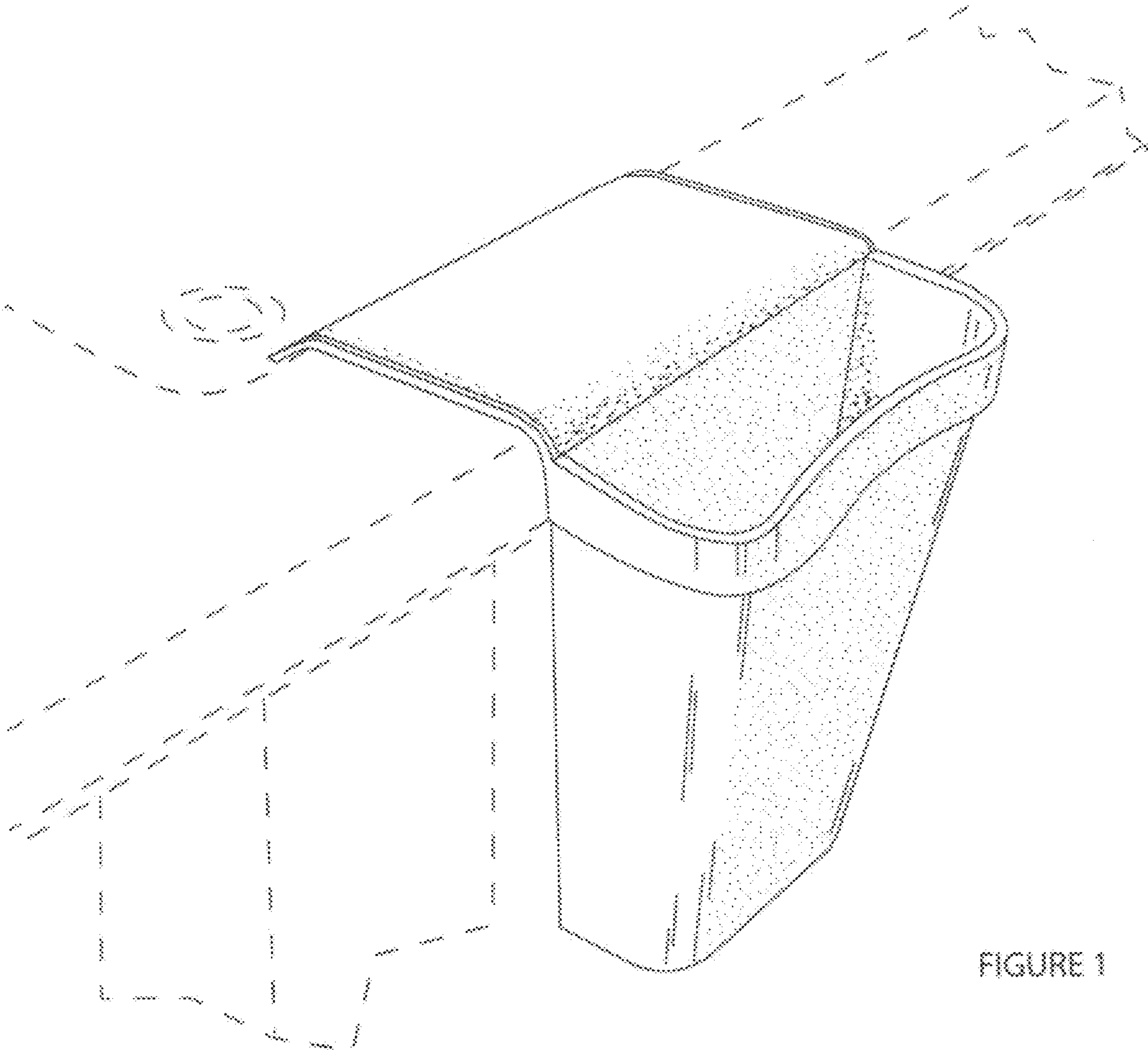


FIGURE 1

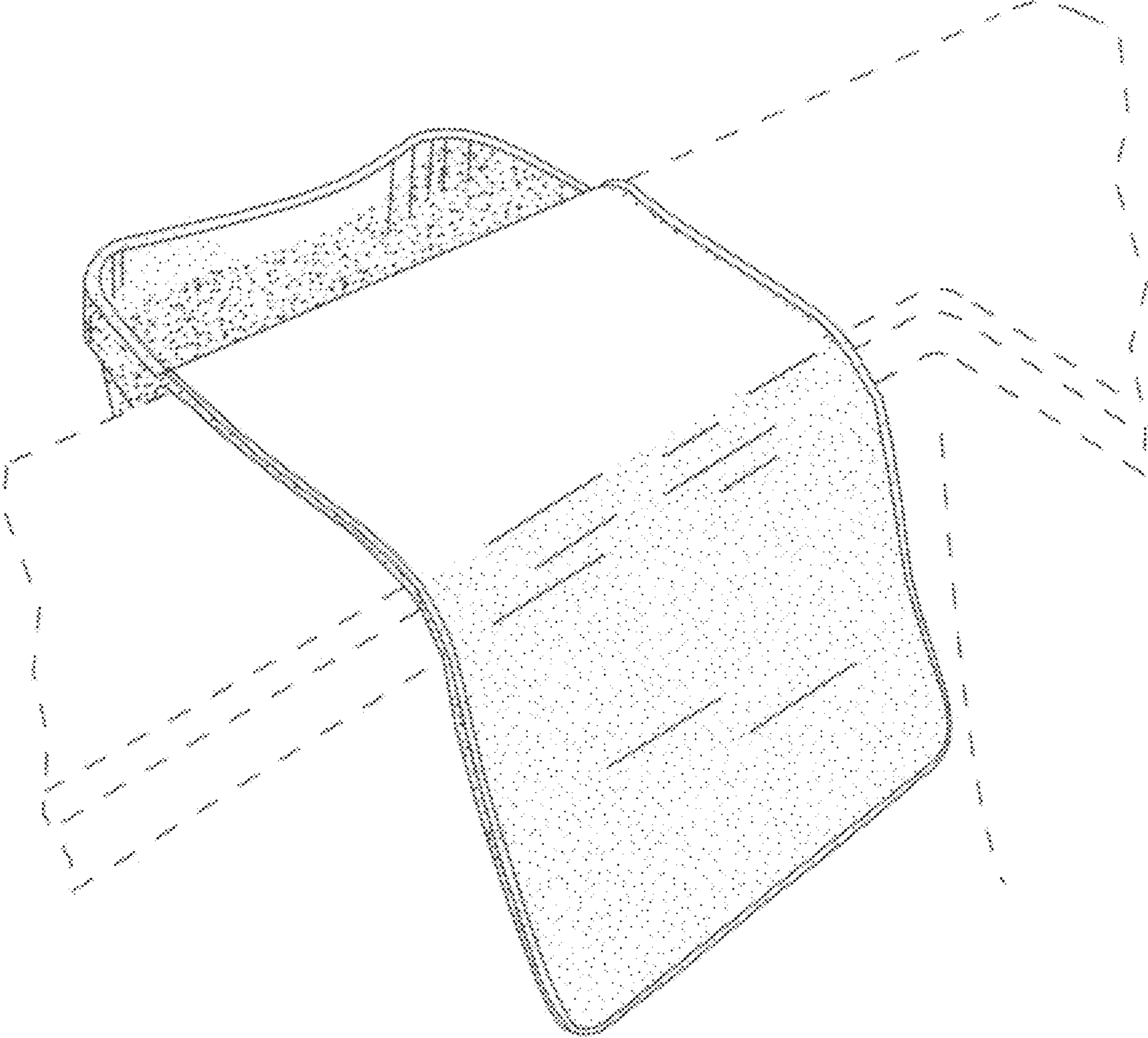


FIGURE 2



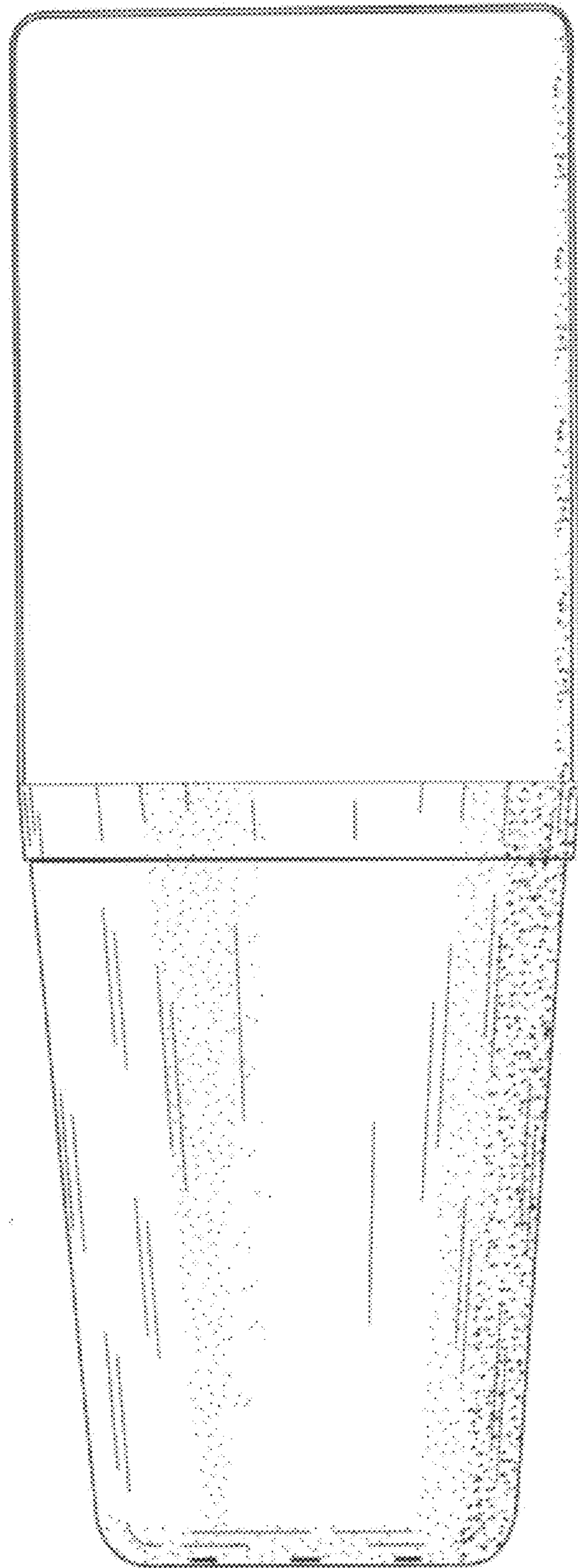


FIGURE 3

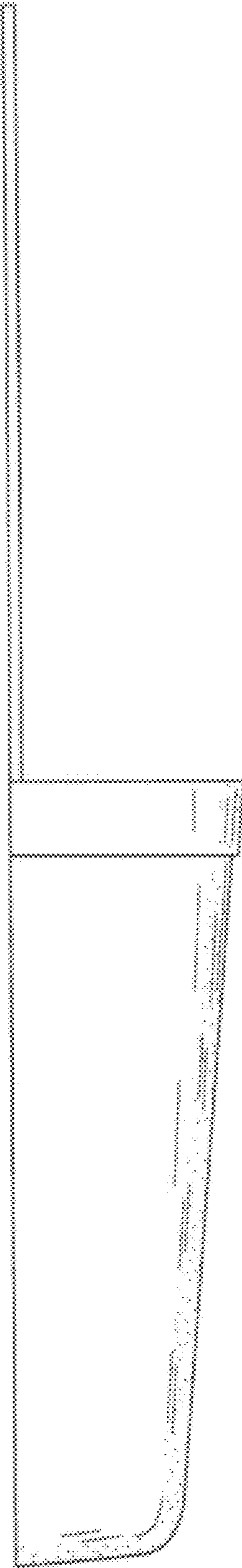


FIGURE 4

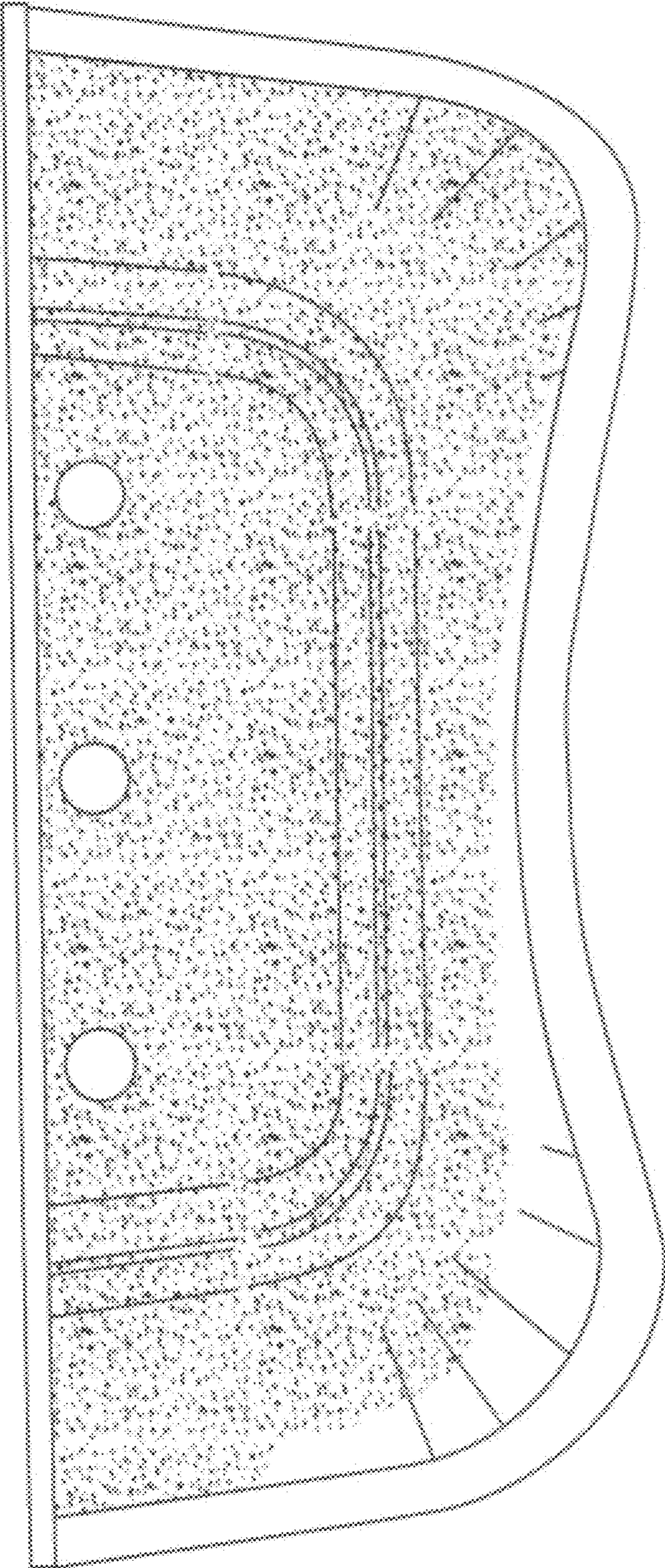


FIGURE 5

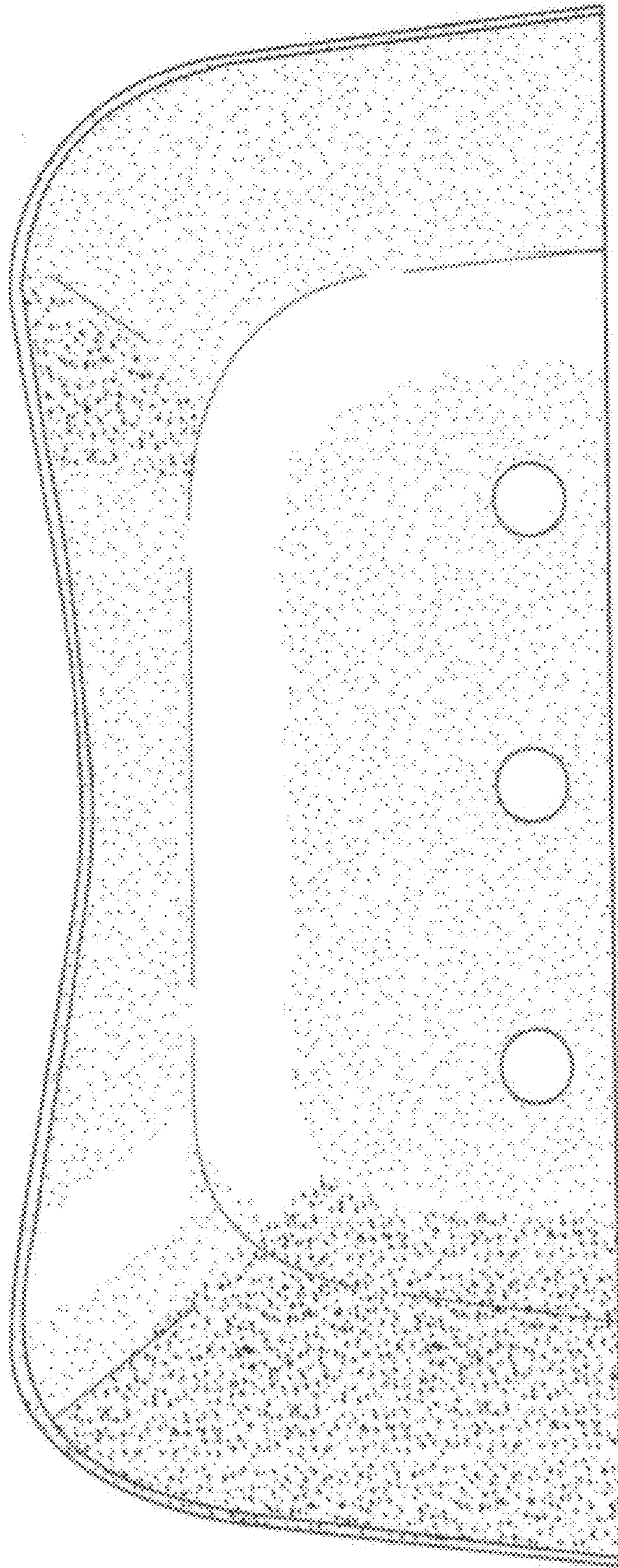


FIGURE 6

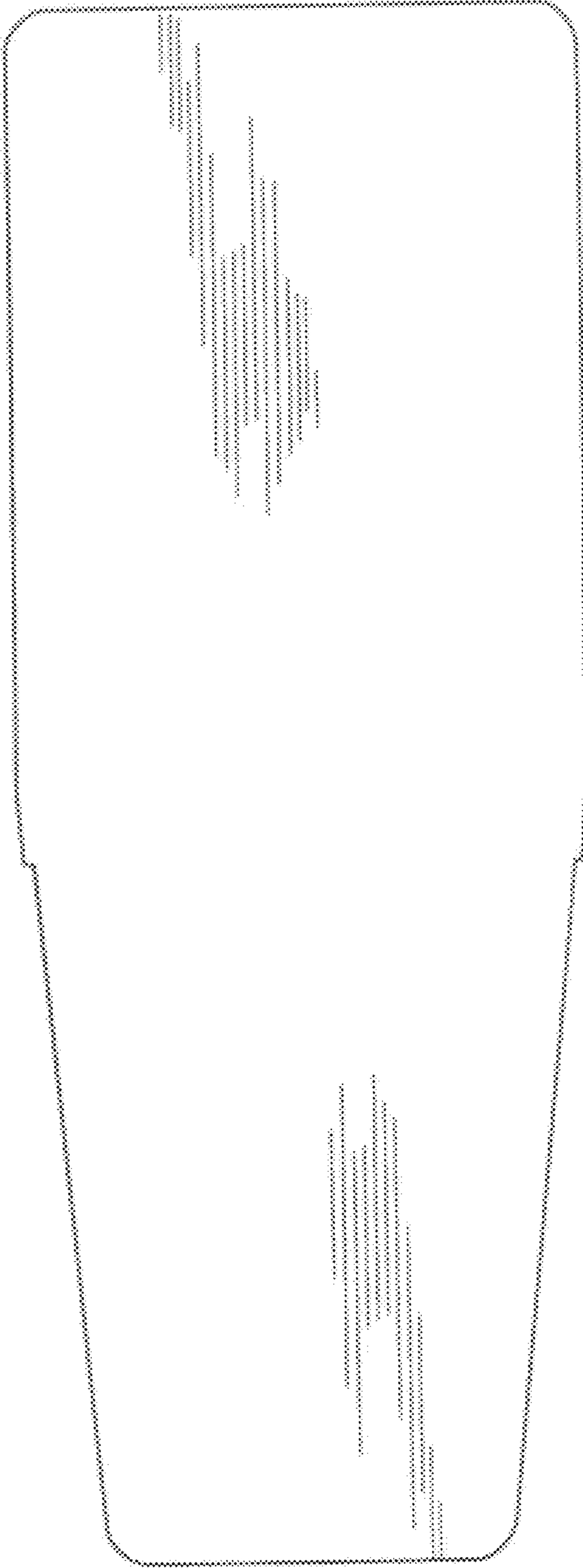


FIGURE 7