



US00D682468S

(12) **United States Design Patent**
Kim

(10) **Patent No.:** **US D682,468 S**

(45) **Date of Patent:** **** May 14, 2013**

(54) **HAIR IRON**

(75) Inventor: **Hae Jin Kim**, Seoul (KR)

(73) Assignee: **GHD Korea, Inc.**, Chungcheongnam-do (KR)

(**) Term: **14 Years**

(21) Appl. No.: **29/394,467**

(22) Filed: **Jun. 17, 2011**

(30) **Foreign Application Priority Data**

Dec. 17, 2010 (KR) 30-2010-0054794

(51) **LOC (9) Cl.** **28-03**

(52) **U.S. Cl.**
USPC **D28/35**

(58) **Field of Classification Search** D28/35-38;
132/223-272; 219/222, 225-226
See application file for complete search history.

(56) **References Cited**

U.S. PATENT DOCUMENTS

D570,044 S * 5/2008 Leung D28/35
D586,039 S * 2/2009 Kim D28/35
D609,401 S * 2/2010 Yang D28/35
D627,512 S * 11/2010 Kim D28/35

D629,156 S * 12/2010 Kim D28/35
D632,428 S * 2/2011 Kim D28/35
D641,927 S * 7/2011 Kim D28/35
D645,614 S * 9/2011 Kim D28/35
D650,941 S * 12/2011 Sidebotham D28/35
D651,741 S * 1/2012 Kim D28/35

* cited by examiner

Primary Examiner — Jennifer Rivard

(74) *Attorney, Agent, or Firm* — Duane Morris LLP; J. Rodman Steele, Jr.; Gregory M. Lefkowitz

(57) **CLAIM**

The ornamental design for a hair iron, as shown and described.

DESCRIPTION

FIG. 1 is it perspective view of a hair iron in accordance with the new design;

FIG. 2 is a front elevational view thereof;

FIG. 3 is a rear elevational view thereof;

FIG. 4 is a left side elevational view thereof;

FIG. 5 is a right side elevational view thereof;

FIG. 6 is a top plan view thereof;

FIG. 7 is a bottom plan view thereof; and,

FIG. 8 is a rear perspective view thereof.

The broken lines shown in the drawings illustrate portions of the hair iron and form no part of the claimed design.

1 Claim, 3 Drawing Sheets

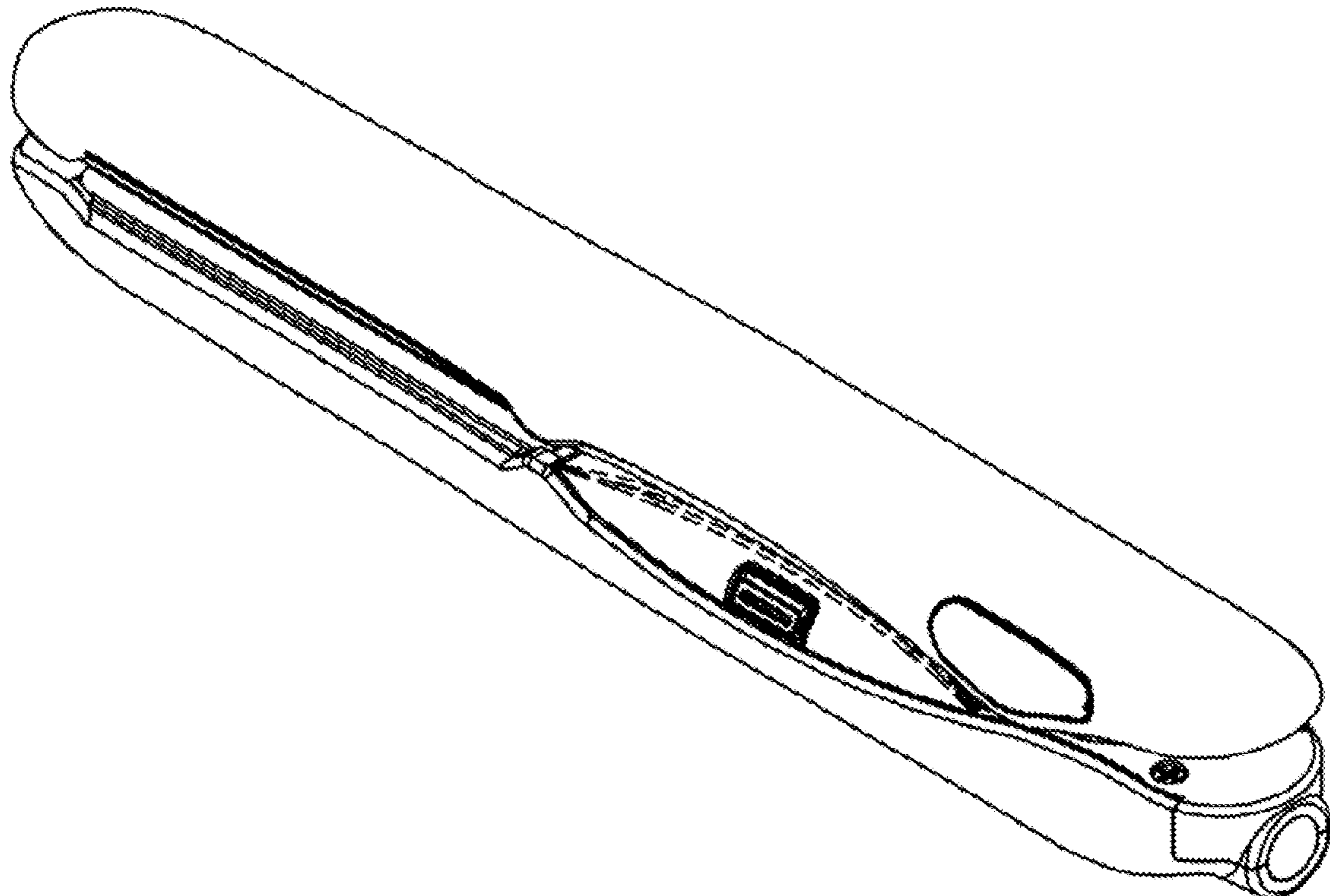


FIG. 1

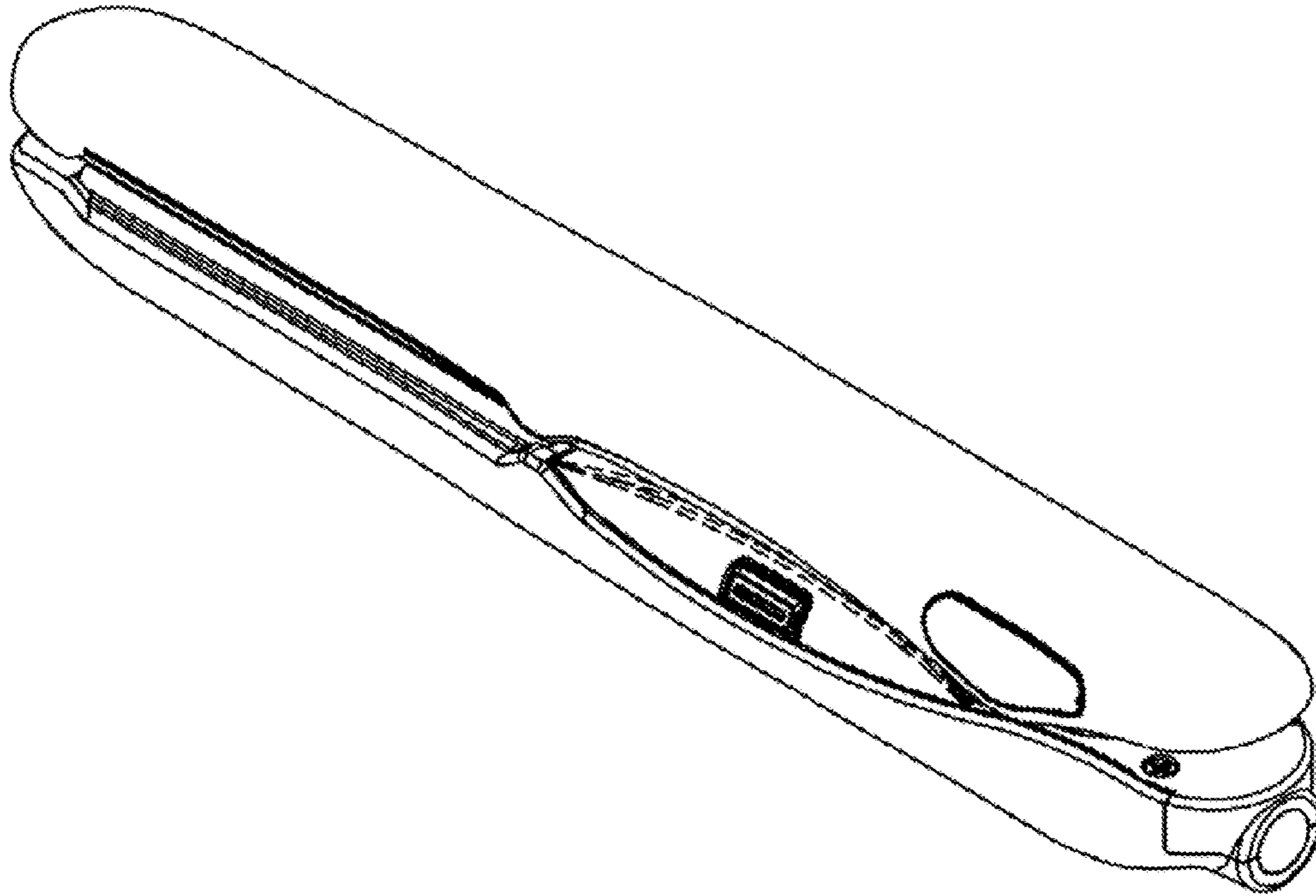


FIG. 2

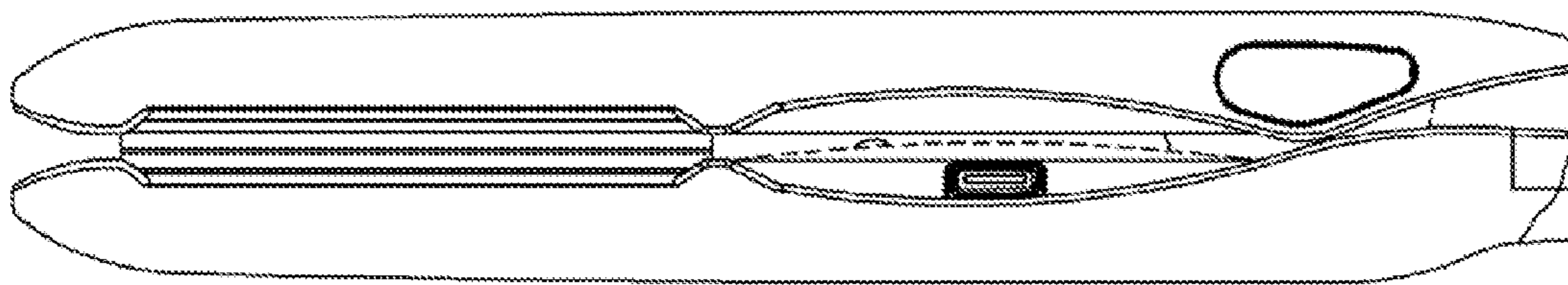


FIG. 3

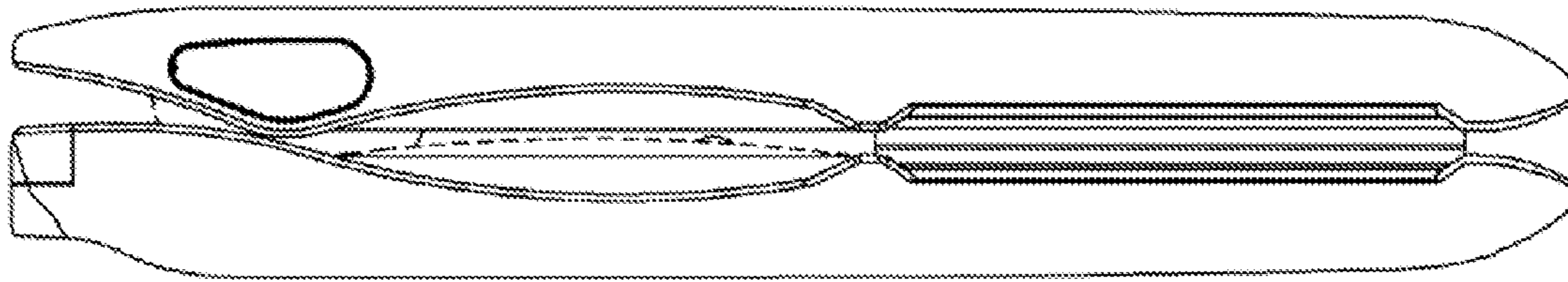


FIG. 4

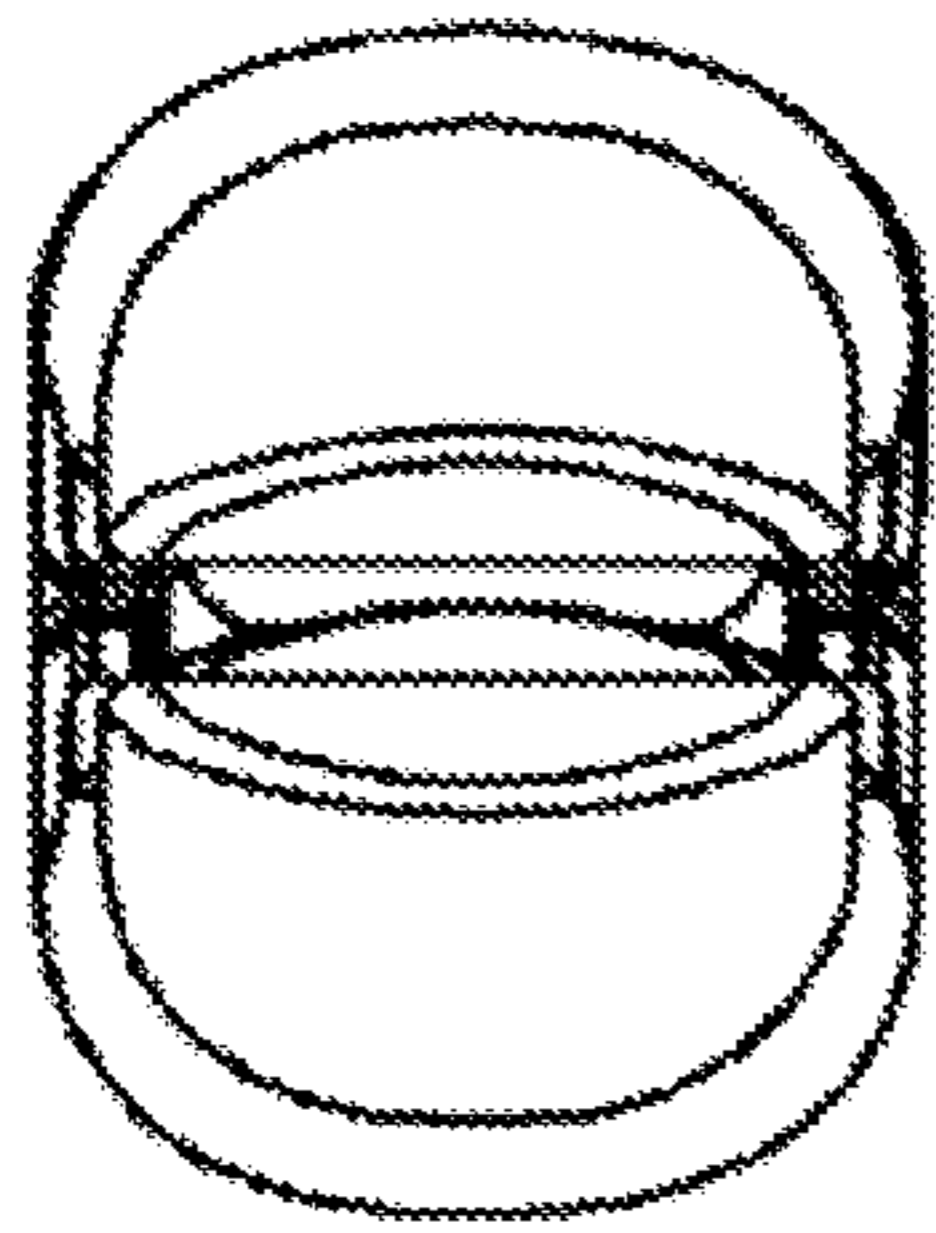


FIG. 5

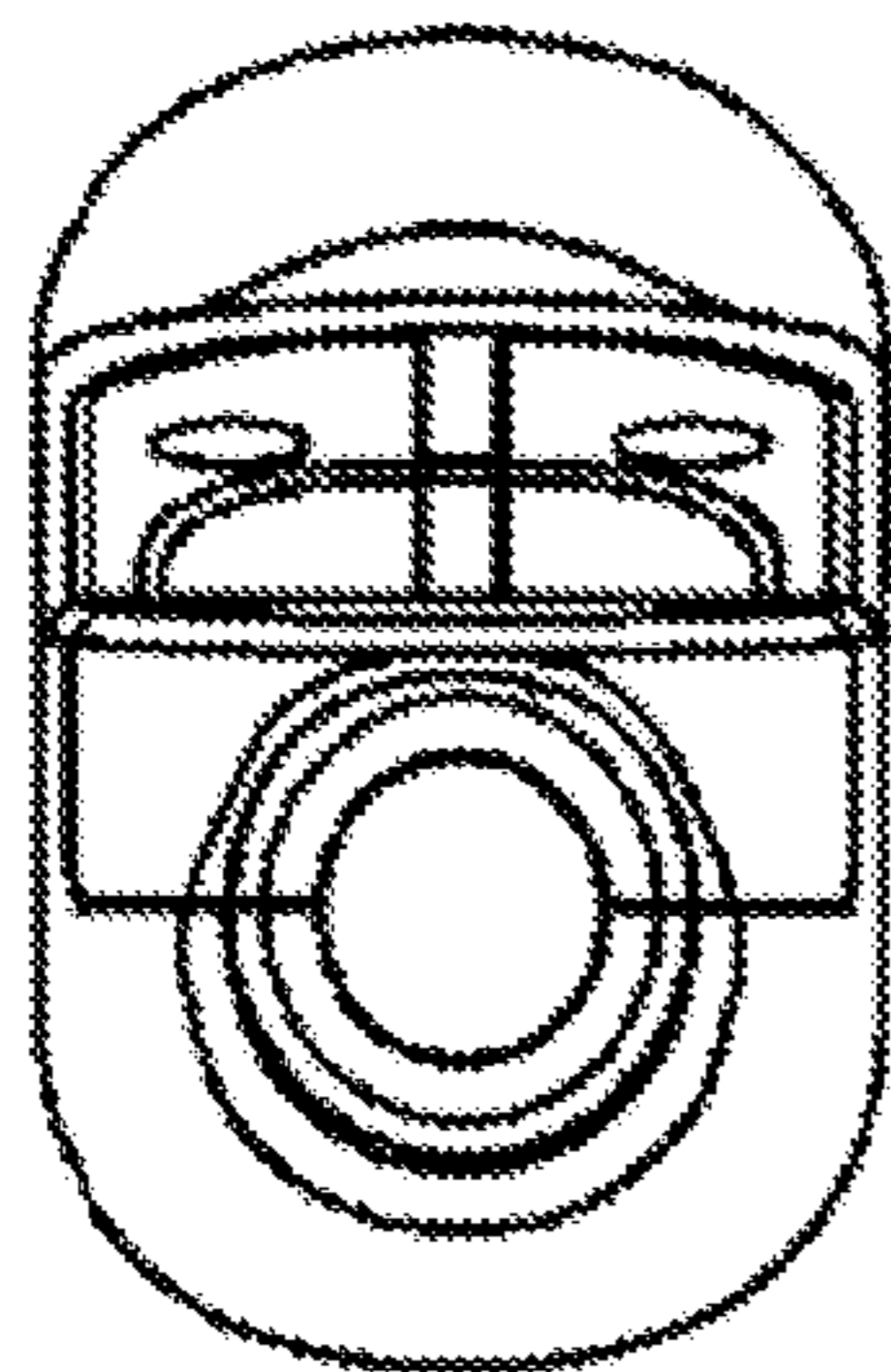


FIG. 6

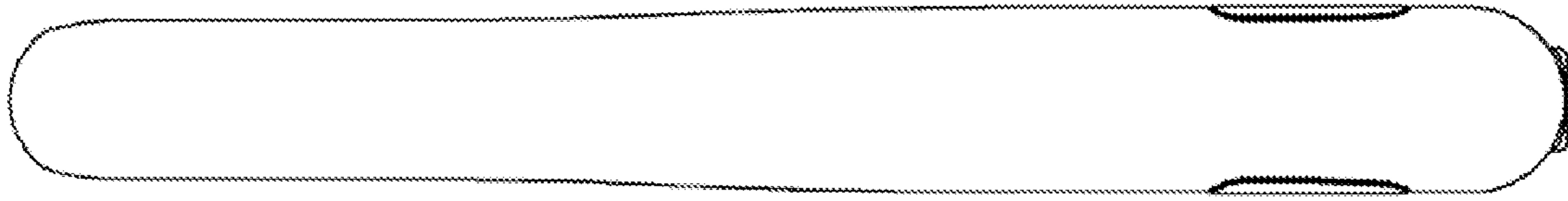


FIG. 7



FIG. 8

