



US00D682466S

(12) **United States Design Patent**
Cantelmo

(10) **Patent No.:** **US D682,466 S**

(45) **Date of Patent:** **** May 14, 2013**

(54) **DENTAL TOOTHPASTE STRIP**

(76) Inventor: **Craig V. Cantelmo**, Brooklyn, NY (US)

(**) Term: **14 Years**

(21) Appl. No.: **29/374,181**

(22) Filed: **Jul. 11, 2011**

(51) **LOC (9) Cl.** **28-02**

(52) **U.S. Cl.**
USPC **D28/4; D28/8.1**

(58) **Field of Classification Search** D28/4,
D28/8.1-8.2, 7, 83; D25/138, 157; D9/732;
52/384-389; 424/48-58; 428/33; 221/26-27;
D1/100, 127

See application file for complete search history.

(56) **References Cited**

U.S. PATENT DOCUMENTS

2,122,482	A *	7/1938	Marr et al.	62/288
D206,845	S *	1/1967	Ross	D28/76
3,549,268	A	12/1970	Casselman	
3,905,113	A *	9/1975	Jacob	433/216
4,196,809	A *	4/1980	Tonrey	206/534
4,506,810	A	3/1985	Goncalves	
5,293,886	A	3/1994	Czapor	
5,366,310	A *	11/1994	Armelles Flors	401/132
5,577,640	A	11/1996	Albini et al.	
5,794,774	A *	8/1998	Porcelli	206/369
6,010,683	A	1/2000	Fischer	
6,082,544	A *	7/2000	Romick	206/531
6,375,956	B1 *	4/2002	Hermelin et al.	424/400
6,845,883	B2	1/2005	Pieri	
7,287,643	B1 *	10/2007	Glover, Sr.	206/63.5
7,527,446	B2 *	5/2009	Johnson Papa et al.	401/125

D596,305	S *	7/2009	Usui et al.	D24/206
D637,732	S *	5/2011	Galano	D24/225
2004/0185011	A1 *	9/2004	Alexander et al.	424/49
2005/0029294	A1	2/2005	Jackson	
2005/0260143	A1 *	11/2005	Ryan et al.	424/53
2005/0260544	A1 *	11/2005	Jones et al.	433/217.1
2006/0159509	A1 *	7/2006	Grez et al.	401/123
2007/0202467	A1 *	8/2007	Hohlbein et al.	433/217.1
2008/0317797	A1 *	12/2008	Lokken	424/401
2009/0297569	A1 *	12/2009	Hurwitz	424/401
2010/0303738	A1 *	12/2010	Ream et al.	424/49
2012/0261300	A1 *	10/2012	Schapiro et al.	206/528

FOREIGN PATENT DOCUMENTS

FR 2560521 A2 * 9/1985

* cited by examiner

Primary Examiner — Jennifer Rivard

(74) *Attorney, Agent, or Firm* — Richard L. Miller

(57) **CLAIM**

The ornamental design for a dental toothpaste strip, as shown and described.

DESCRIPTION

FIG. 1 is a perspective view of a dental toothpaste strip showing my new design.

FIG. 2 is a side elevational view of FIG. 1, the opposite side is a mirror image thereof;

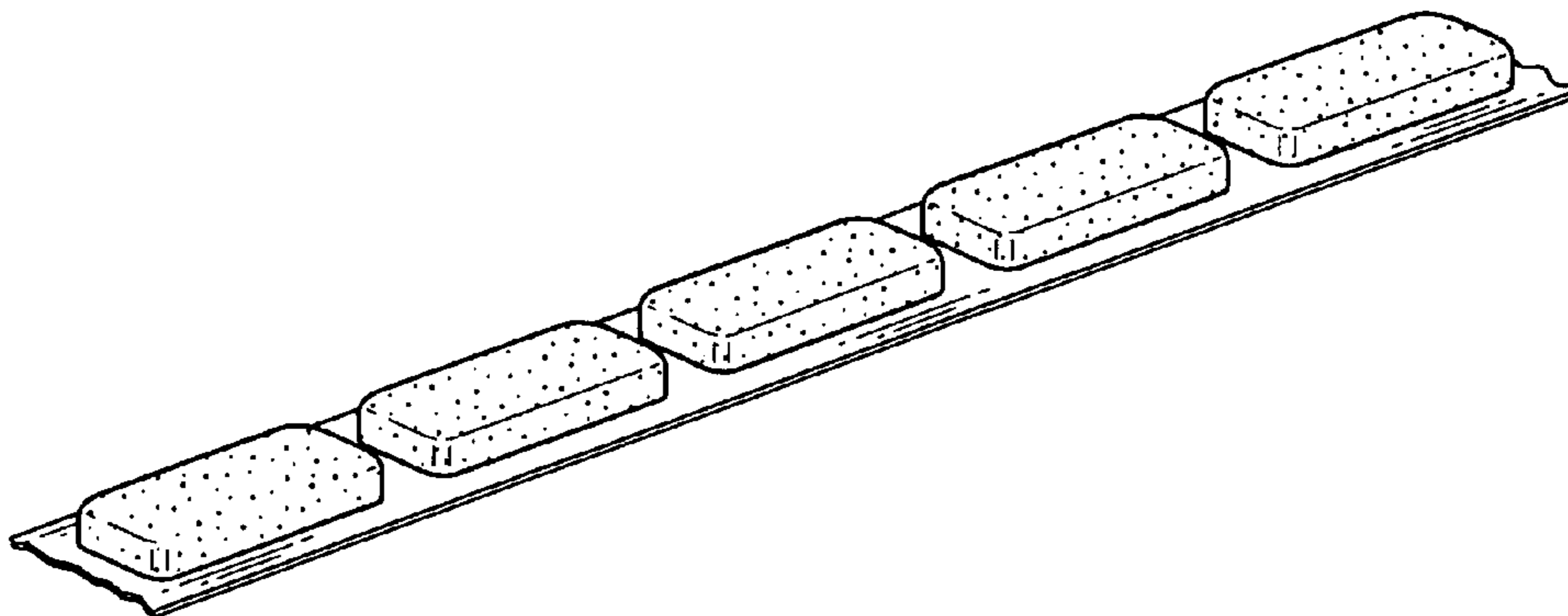
FIG. 3 is a top plan view of FIG. 1;

FIG. 4 is an end elevational view of FIG. 1, the opposite end is a mirror image thereof; and,

FIG. 5 is a bottom plan view of FIG. 1.

The ends of the dental toothpaste strip are shown broken away and indicate an indeterminate length.

1 Claim, 1 Drawing Sheet



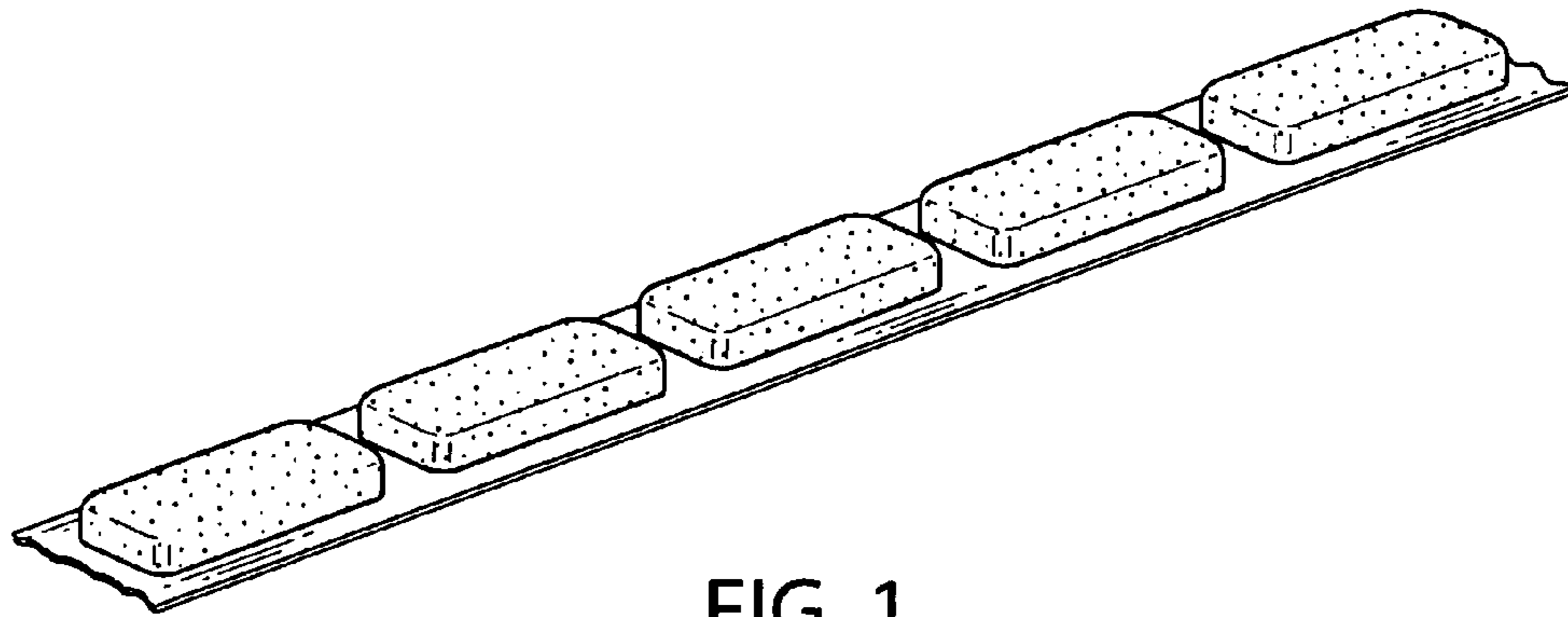


FIG. 1

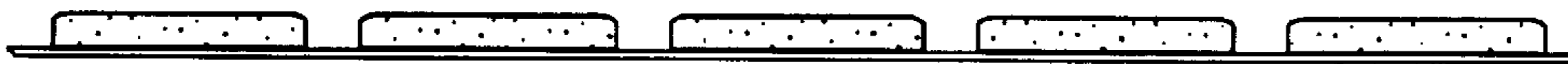


FIG. 2



FIG. 3



FIG. 4

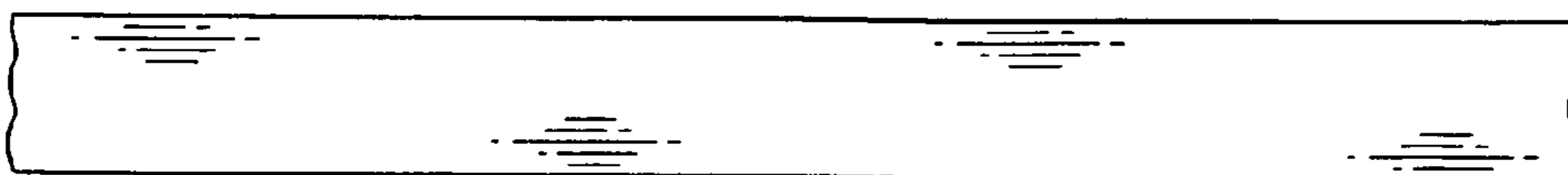


FIG. 5