



US00D682465S

(12) **United States Design Patent**
Yeom

(10) **Patent No.:** **US D682,465 S**

(45) **Date of Patent:** **** May 14, 2013**

- (54) **VAPORIZER FOR E-CIGARETTE**
- (75) Inventor: **Boo Won Yeom**, Seoul (KR)
- (73) Assignee: **Janty Asia Co., Ltd.**, Seoul (KR)
- (**) Term: **14 Years**
- (21) Appl. No.: **29/424,226**
- (22) Filed: **Jun. 8, 2012**
- (51) **LOC (9) Cl.** **27-99**
- (52) **U.S. Cl.**
USPC **D27/194**
- (58) **Field of Classification Search** D27/195,
D27/142, 143, 125, 194, 172, 196, 101, 170,
D27/189, 100, 162, 167, 169; 131/233, 254,
131/255, 329, 250, 251, 252, 253, 256, 248,
131/330, 187, 175, 328, 273, 274, 290, 291,
131/173, 202, 203, 204, 205, 206, 347, 360
See application file for complete search history.

6,431,176	B1 *	8/2002	Rice	131/175
D484,972	S *	1/2004	Steele et al.	D9/707
D505,861	S *	6/2005	Risgalla	D9/696
D523,758	S *	6/2006	Risgalla	D9/707
D557,614	S *	12/2007	Murray	D9/708
D580,782	S *	11/2008	Murray	D9/707
D581,808	S *	12/2008	Schwartz	D9/708
D584,168	S *	1/2009	Murray	D9/710
D606,882	S *	12/2009	Sharp et al.	D9/707
7,735,494	B2 *	6/2010	Bollinger et al.	131/349
D638,720	S *	5/2011	Schwartz et al.	D9/709
2007/0068965	A1 *	3/2007	Von Flotow et al.	222/107
2007/0108158	A1 *	5/2007	Stribling et al.	215/389
2007/0204868	A1 *	9/2007	Bollinger et al.	131/174
2008/0060664	A1 *	3/2008	Richards	131/202

(Continued)

Primary Examiner — Kevin Rudzinski

(74) *Attorney, Agent, or Firm* — Saliwanchik, Lloyd & Eisenschenk

(57) **CLAIM**

The ornamental design for a vaporizer for an e-cigarette, as shown and described.

(56) **References Cited**

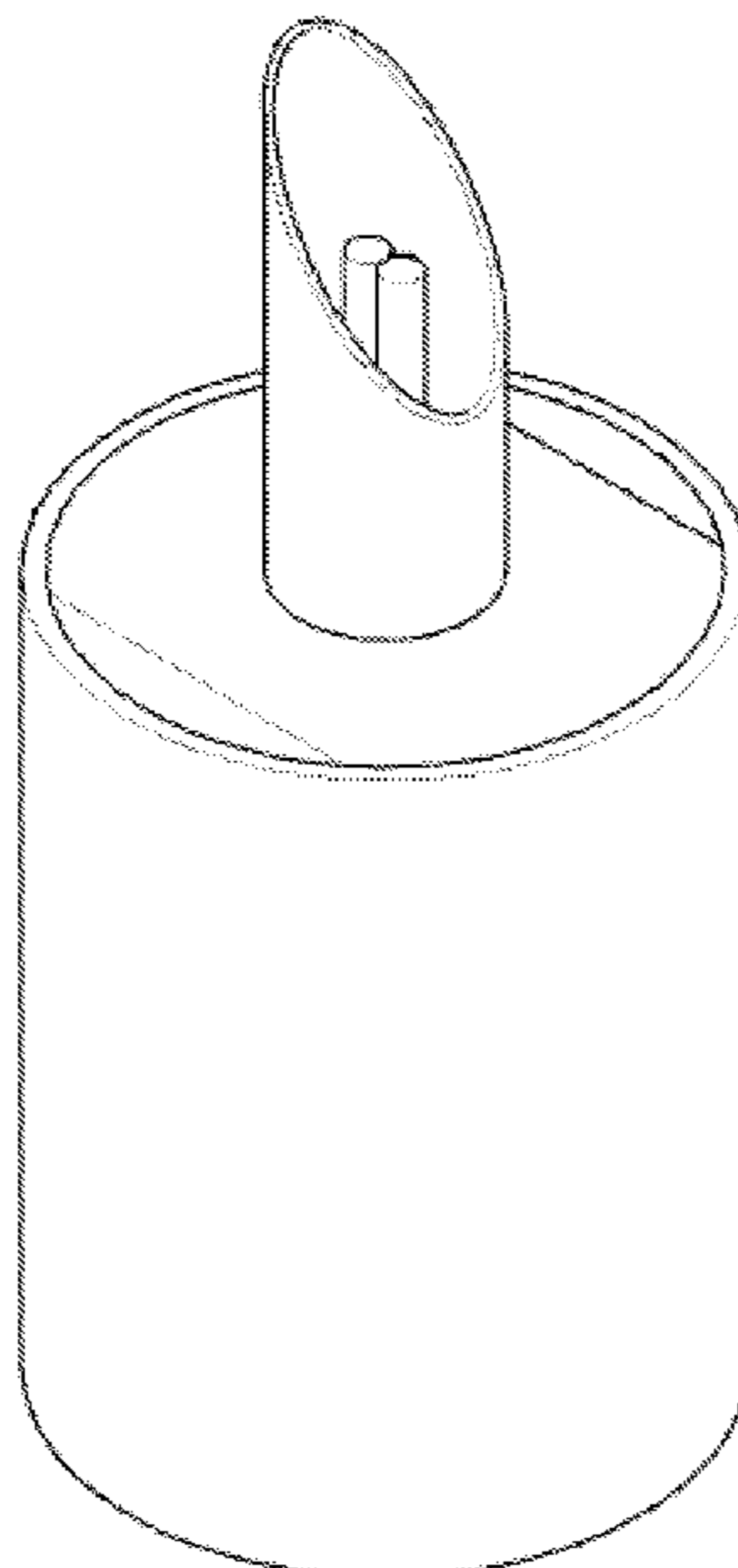
U.S. PATENT DOCUMENTS

423,539	A *	3/1890	Craig	56/50
4,066,088	A *	1/1978	Ensor	131/185
4,164,230	A *	8/1979	Pearlman	131/330
4,790,332	A *	12/1988	Wallace	131/175
4,807,646	A *	2/1989	Sahar	131/175
4,947,875	A *	8/1990	Brooks et al.	131/330
4,993,435	A *	2/1991	McCann	131/330
D315,617	S *	3/1991	Boutte	D27/194
D320,670	S *	10/1991	Johnson et al.	D27/172
5,469,870	A *	11/1995	Meador	131/187
5,564,442	A *	10/1996	MacDonald et al.	131/194
5,638,833	A *	6/1997	Bowen et al.	131/202
D399,600	S *	10/1998	Bowen et al.	D27/194
5,934,289	A *	8/1999	Watkins et al.	131/328
D446,445	S *	8/2001	Croft et al.	D9/696
6,345,625	B1 *	2/2002	Chew	131/202

DESCRIPTION

FIG. 1 is a perspective view of a vaporizer for an e-cigarette. FIG. 2 is a front elevation view of the vaporizer for an e-cigarette. FIG. 3 is a rear elevation view of the vaporizer for an e-cigarette. FIG. 4 is a left side view of the vaporizer for an e-cigarette. FIG. 5 is a right side view of the vaporizer for an e-cigarette. FIG. 6 is a top plan view of the vaporizer for an e-cigarette. FIG. 7 is a bottom plan view of the vaporizer for an e-cigarette; and, FIG. 8 is a cross-sectional view the vaporizer for an e-cigarette, taken along line 8-8 of FIG. 2.

1 Claim, 7 Drawing Sheets



US D682,465 S

Page 2

U.S. PATENT DOCUMENTS

2009/0283103	A1 *	11/2009	Nielsen et al.	131/273	2012/0186593	A1 *	7/2012	Grano et al.	131/202
2011/0073120	A1 *	3/2011	Adamic	131/328	2012/0247494	A1 *	10/2012	Oglesby et al.	131/328
2011/0240047	A1 *	10/2011	Adamic	131/328	2012/0255546	A1 *	10/2012	Goetz et al.	128/202.21

* cited by examiner

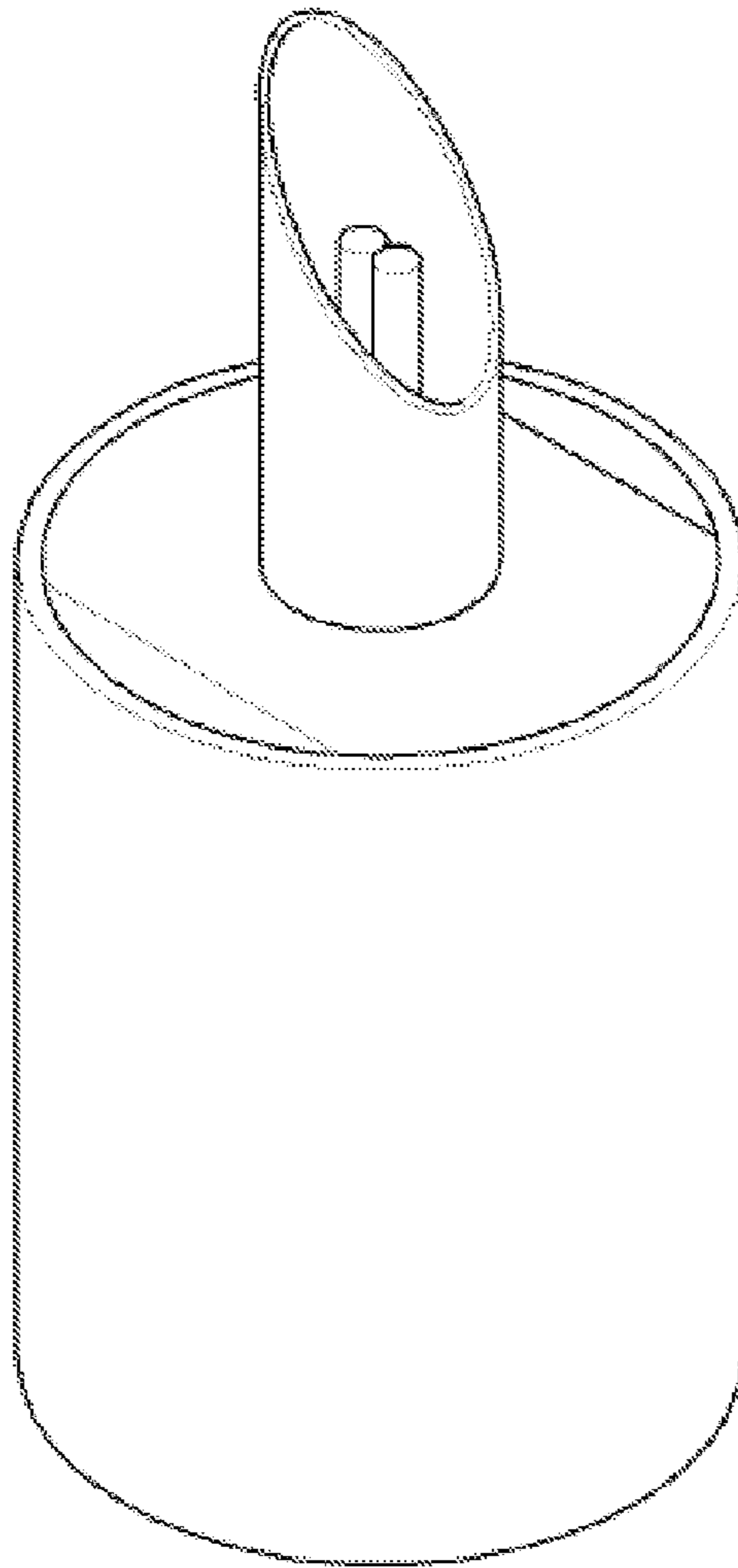


FIG. 1

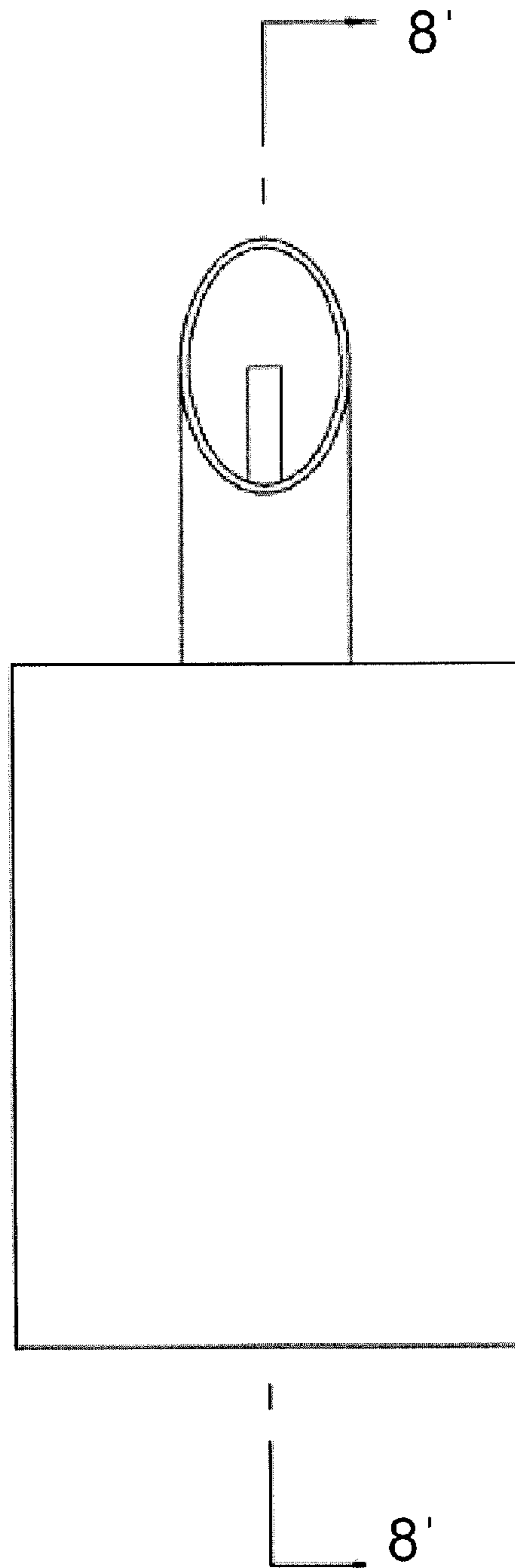


FIG. 2

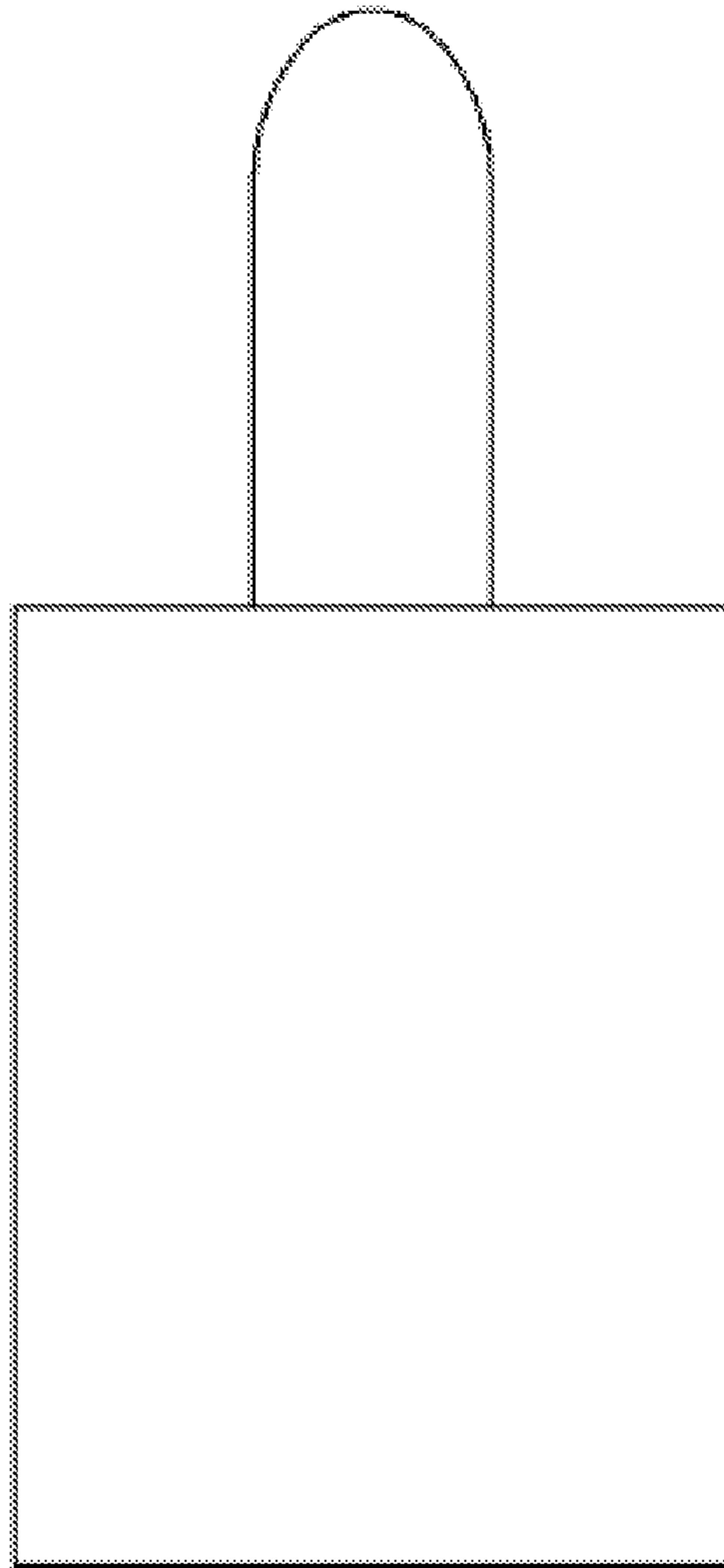


FIG. 3

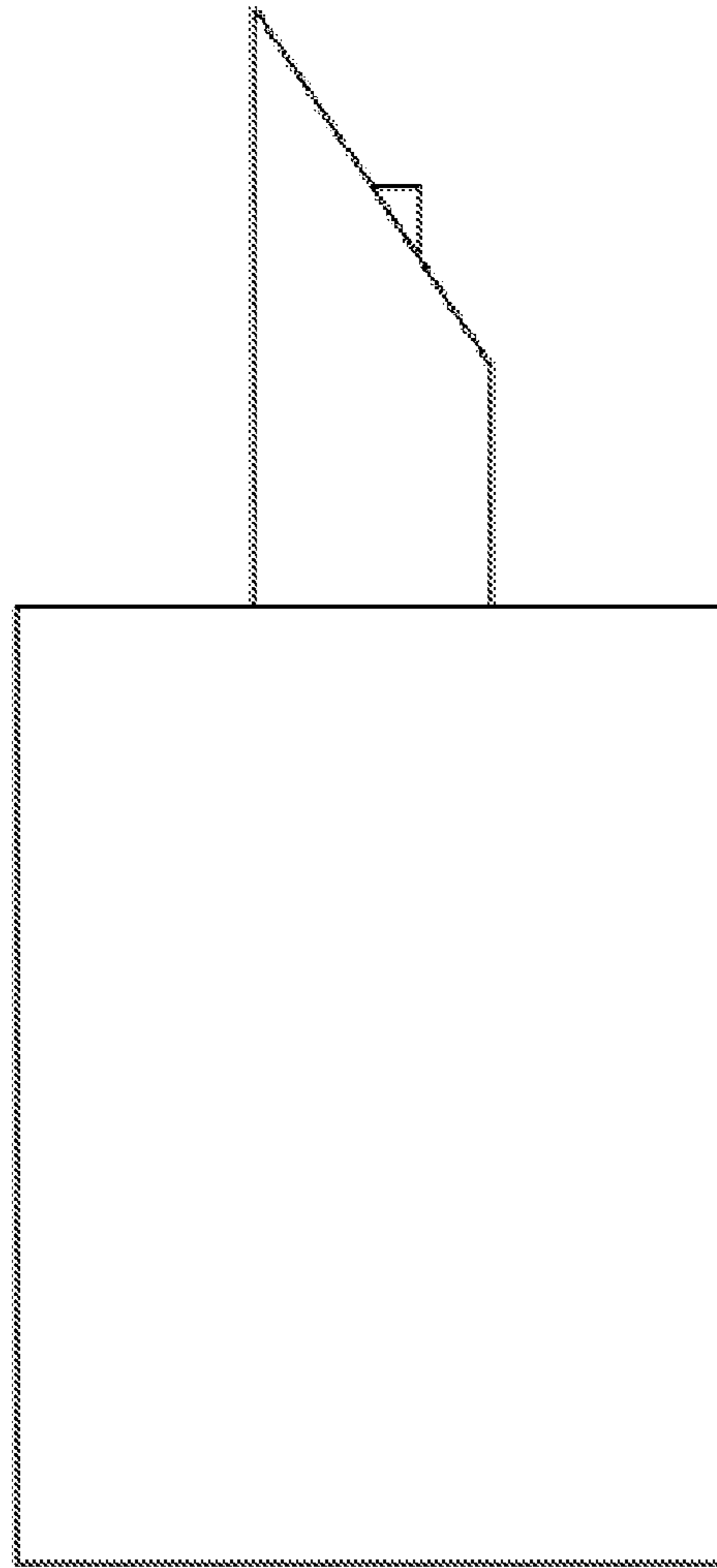


FIG. 4

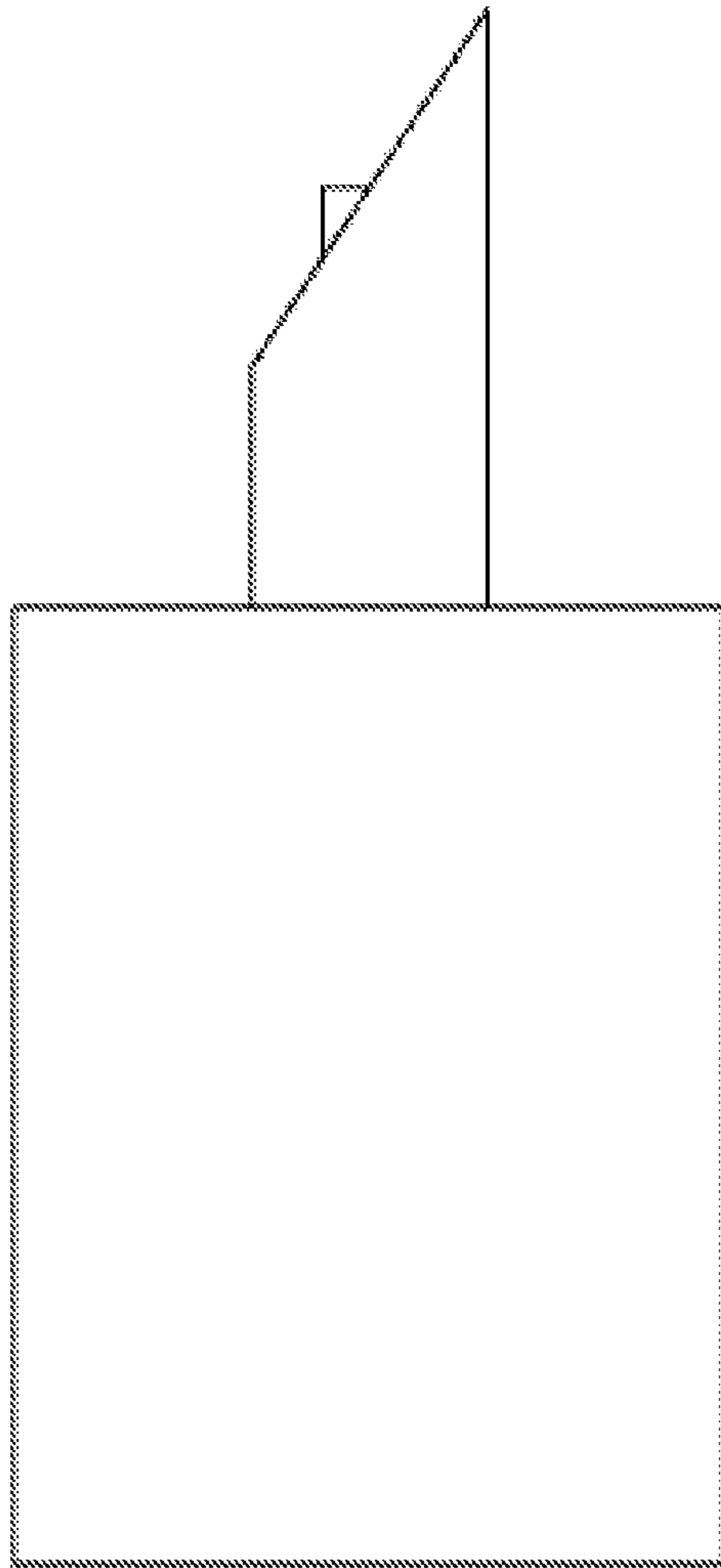


FIG. 5

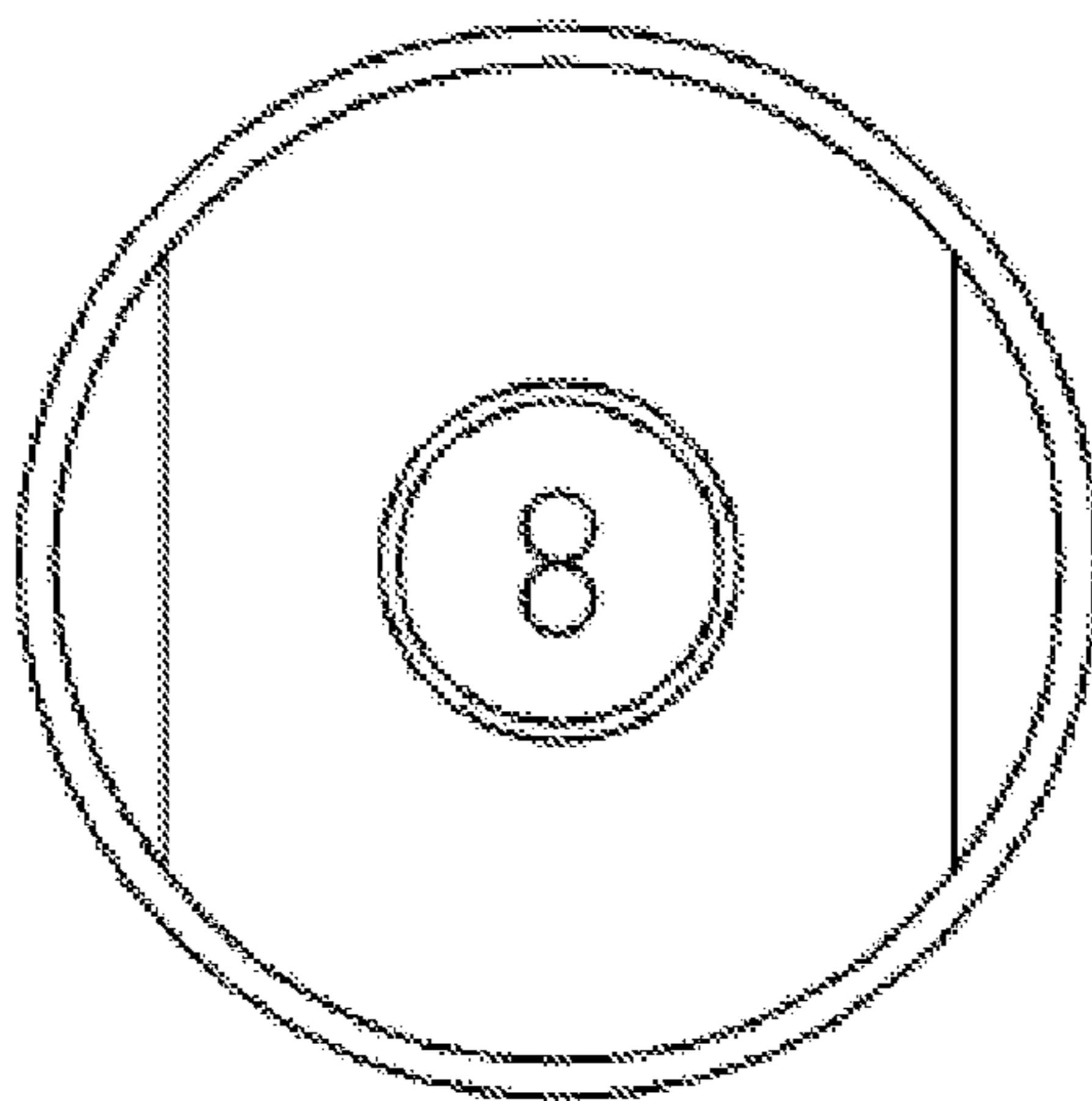


FIG. 6

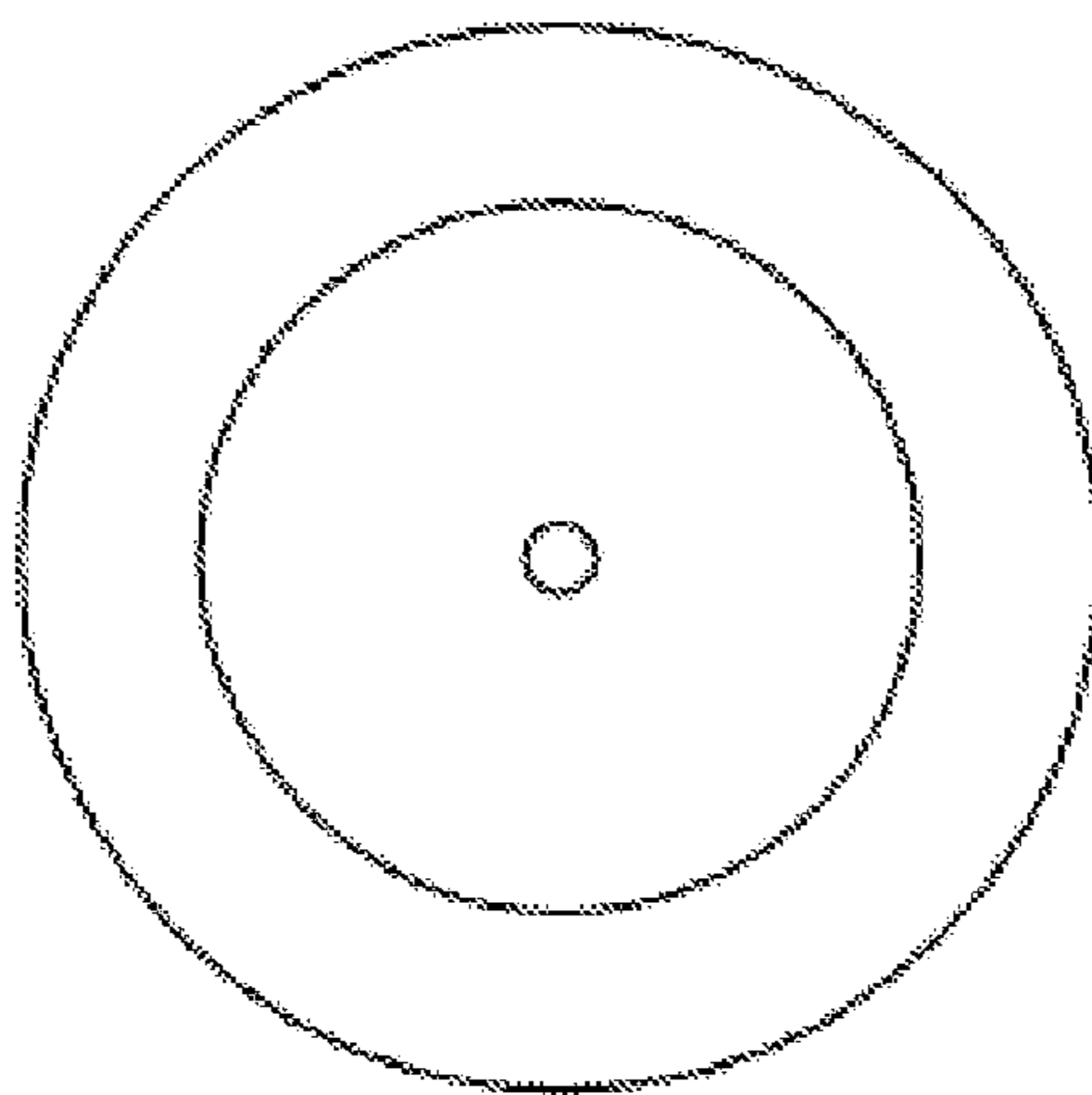


FIG. 7

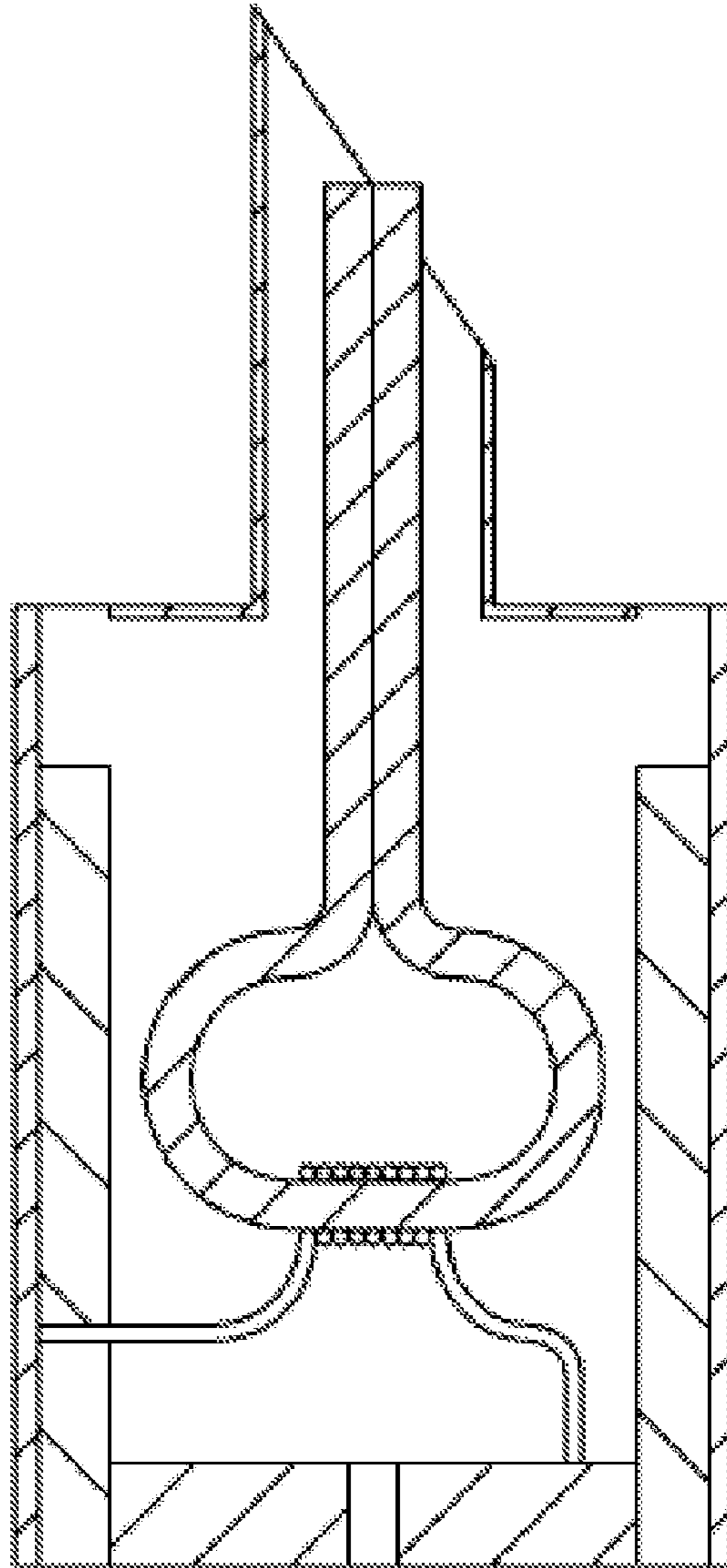


FIG. 8