



US00D682464S

(12) **United States Design Patent**
Gary et al.

(10) **Patent No.:** **US D682,464 S**

(45) **Date of Patent:** **** May 14, 2013**

(54) **MINI-LIGHT CLIP**

(75) Inventors: **Lonnie F. Gary**, Lubbock, TX (US);
Stephen L. Fillipp, Lubbock, TX (US);
Clay Allen Edwards, Lubbock, TX (US)

(73) Assignee: **Commercial Christmas Clip Co., LLC**,
Lubbock, TX (US)

(**) Term: **14 Years**

(21) Appl. No.: **29/422,319**

(22) Filed: **May 18, 2012**

(51) **LOC (9) Cl.** **26-99**

(52) **U.S. Cl.**
USPC **D26/142**

(58) **Field of Classification Search** D26/142,
D26/118, 119, 113, 128, 129, 140, 141, 136,
D26/135, 145, 155, 154, 130, 63, 62, 64,
D26/65, 66, 67, 68, 69, 1, 2, 3, 88, 89, 24,
D26/25, 26, 72, 74, 75, 76, 78, 77, 82, 84,
D26/85, 93, 123, 124, 125; D13/179, 180;
362/393, 145, 396, 194, 195, 196, 362, 326,
362/149, 147, 146, 148, 234, 249.01-249.12,
362/295, 373; D8/395, 394, 367, 356, 396,
D8/363, 382; 248/205.3, 206.2, 206.3

See application file for complete search history.

(56) **References Cited**

U.S. PATENT DOCUMENTS

D212,505	S	*	10/1968	Guerrero	D8/396
3,521,332	A	*	7/1970	Kramer	403/188
D224,085	S	*	7/1972	Cuva	D8/363
D241,314	S	*	9/1976	Hug	D8/395
D269,155	S	*	5/1983	Rose	D8/356
D291,728	S	*	9/1987	Hoyt	D24/130
D295,725	S	*	5/1988	Shioda	D8/396
D306,553	S	*	3/1990	Rumpel	D8/395
D319,575	S	*	9/1991	Young	D8/395

D361,930	S	*	9/1995	Fillipp et al.	D8/367
5,607,230	A	*	3/1997	Protz, Jr.	362/396
5,609,415	A	*	3/1997	Protz, Jr.	362/396
D380,145	S	*	6/1997	Rumpel	D8/395
D402,396	S	*	12/1998	Protz, Jr.	D26/138
D406,051	S	*	2/1999	Ross	D8/395
D429,023	S	*	8/2000	Hughes et al.	D26/138
D435,684	S	*	12/2000	Gary et al.	D26/138
D470,937	S	*	2/2003	Gary et al.	D24/138
6,536,727	B1	*	3/2003	Limber et al.	248/229.16
D494,849	S	*	8/2004	Jones et al.	D8/395
D535,179	S	*	1/2007	Bryant	D8/367
D537,331	S	*	2/2007	Hill	D8/395
D538,636	S	*	3/2007	Jackson et al.	D8/395
D552,463	S	*	10/2007	French et al.	D8/395
D562,675	S	*	2/2008	Cox et al.	D8/395
D625,996	S	*	10/2010	Witty	D9/434
D648,211	S	*	11/2011	Weaver et al.	D8/396
D660,690	S	*	5/2012	Mixides	D8/396
D671,826	S	*	12/2012	Adams et al.	D8/395
2004/0129846	A1	*	7/2004	Adams et al.	248/231.81
2011/0199754	A1	*	8/2011	Hasegawa	362/97.1
2012/0069587	A1	*	3/2012	Holland	362/396

* cited by examiner

Primary Examiner — Kevin Rudzinski

(74) *Attorney, Agent, or Firm* — Locke Lord, LLP

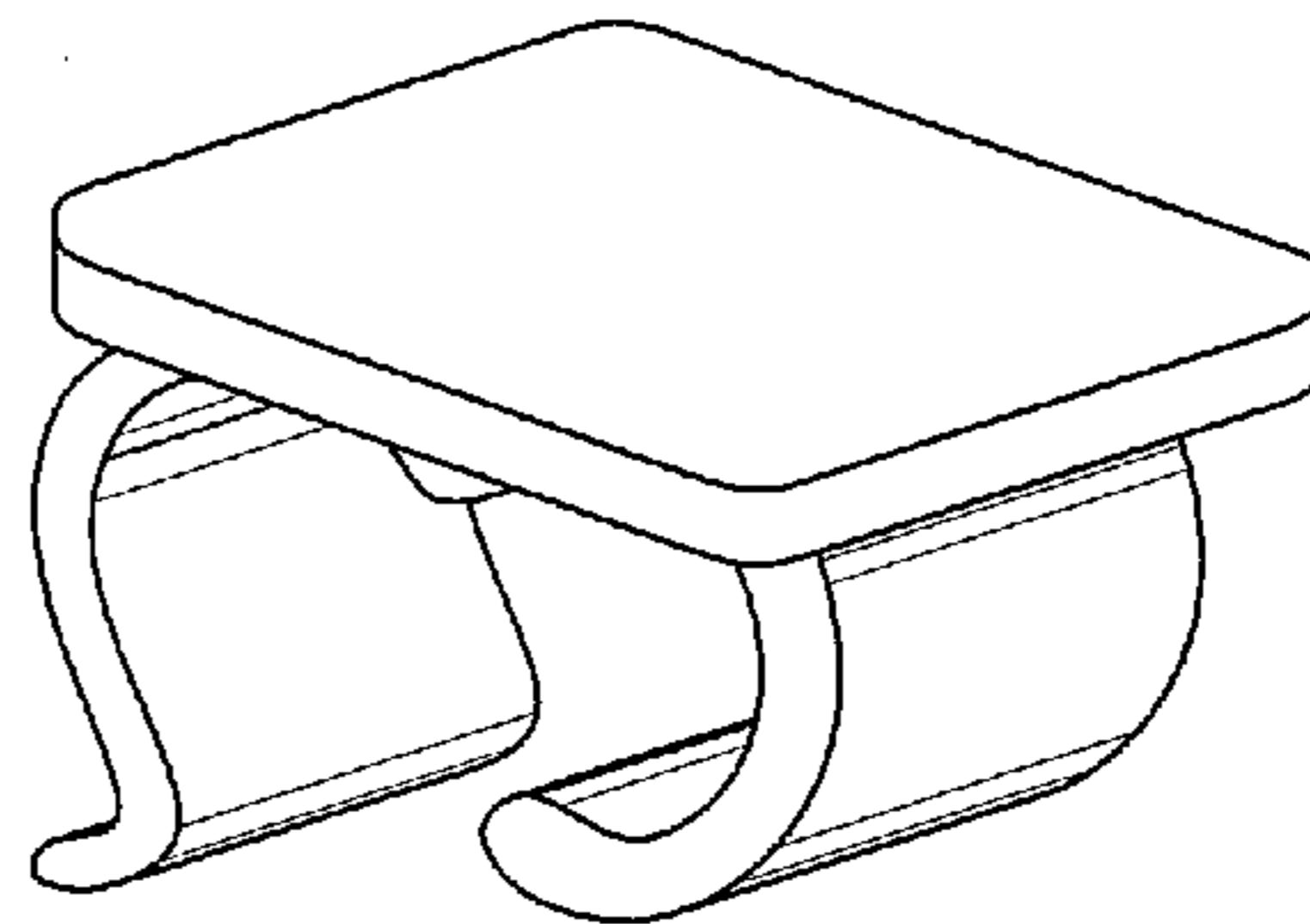
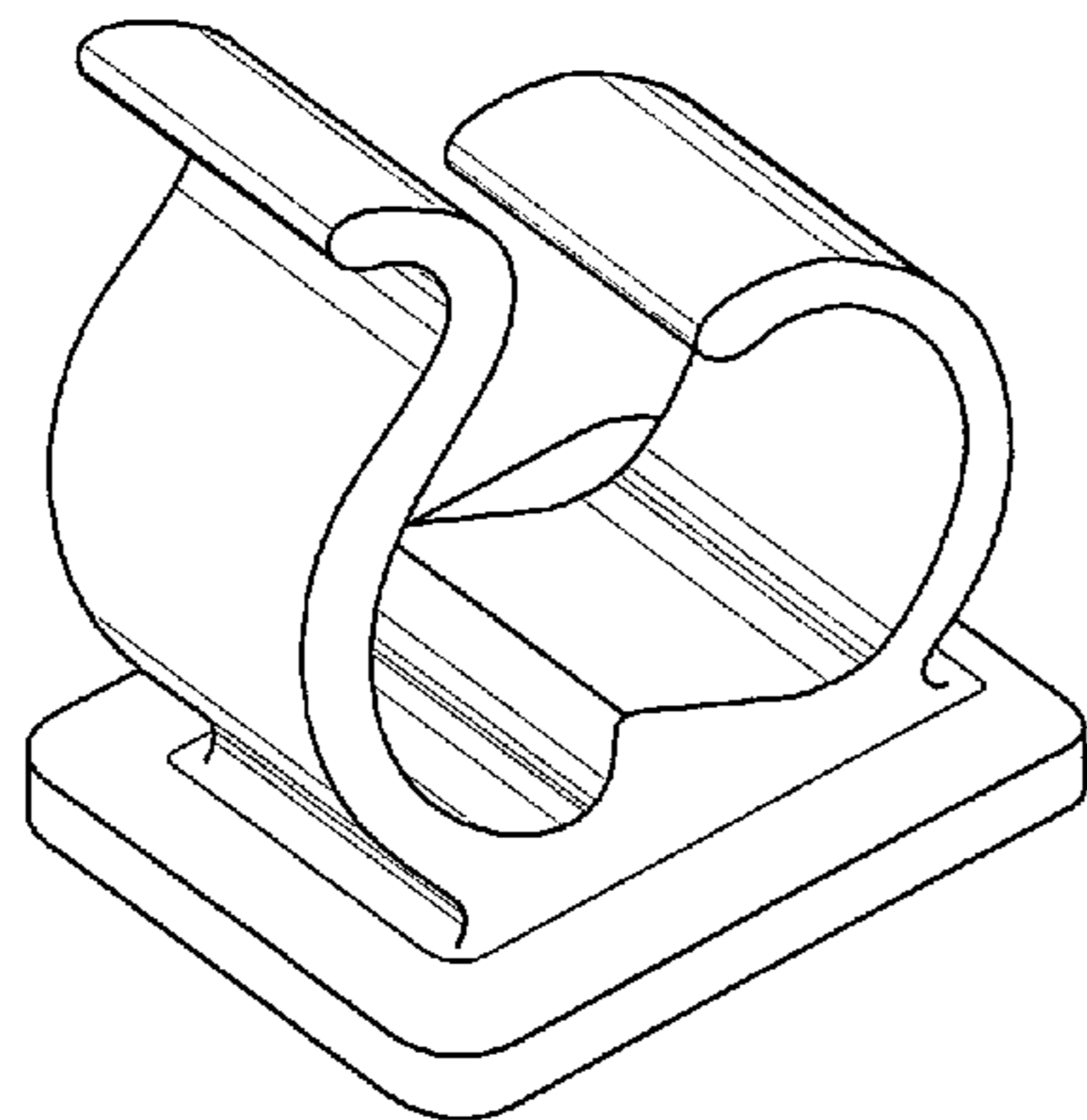
(57) **CLAIM**

The ornamental design for a mini-light clip, as shown and described.

DESCRIPTION

FIG. 1 is a top front perspective view;
FIG. 2 is a bottom rear perspective view;
FIG. 3 is a front elevation view;
FIG. 4 is a rear elevation view;
FIG. 5 is a top plan view;
FIG. 6 is a left side elevation view;
FIG. 7 is a right side elevation view; and,
FIG. 8 is a bottom plan view.

1 Claim, 3 Drawing Sheets



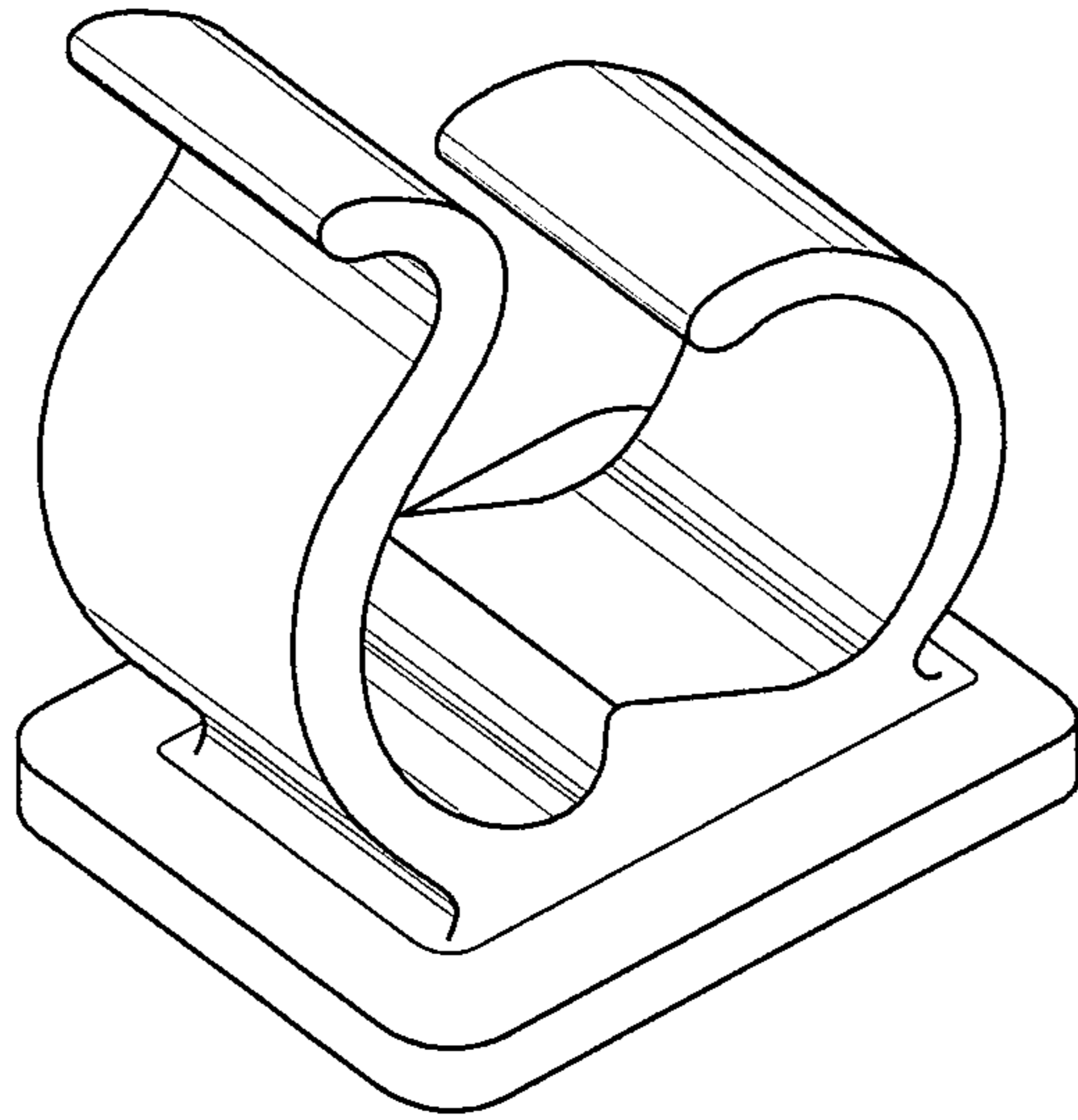


FIG. 1

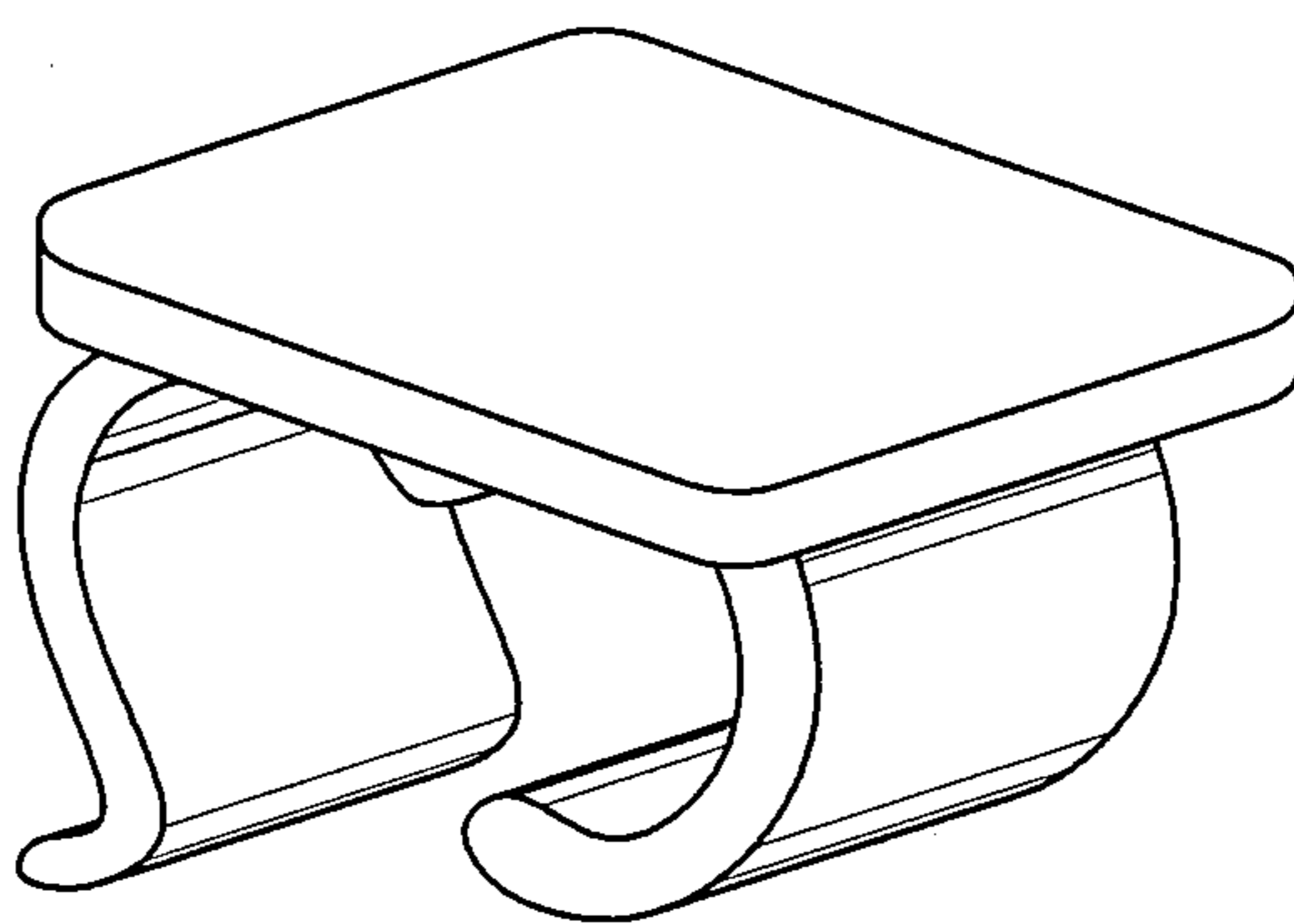


FIG. 2

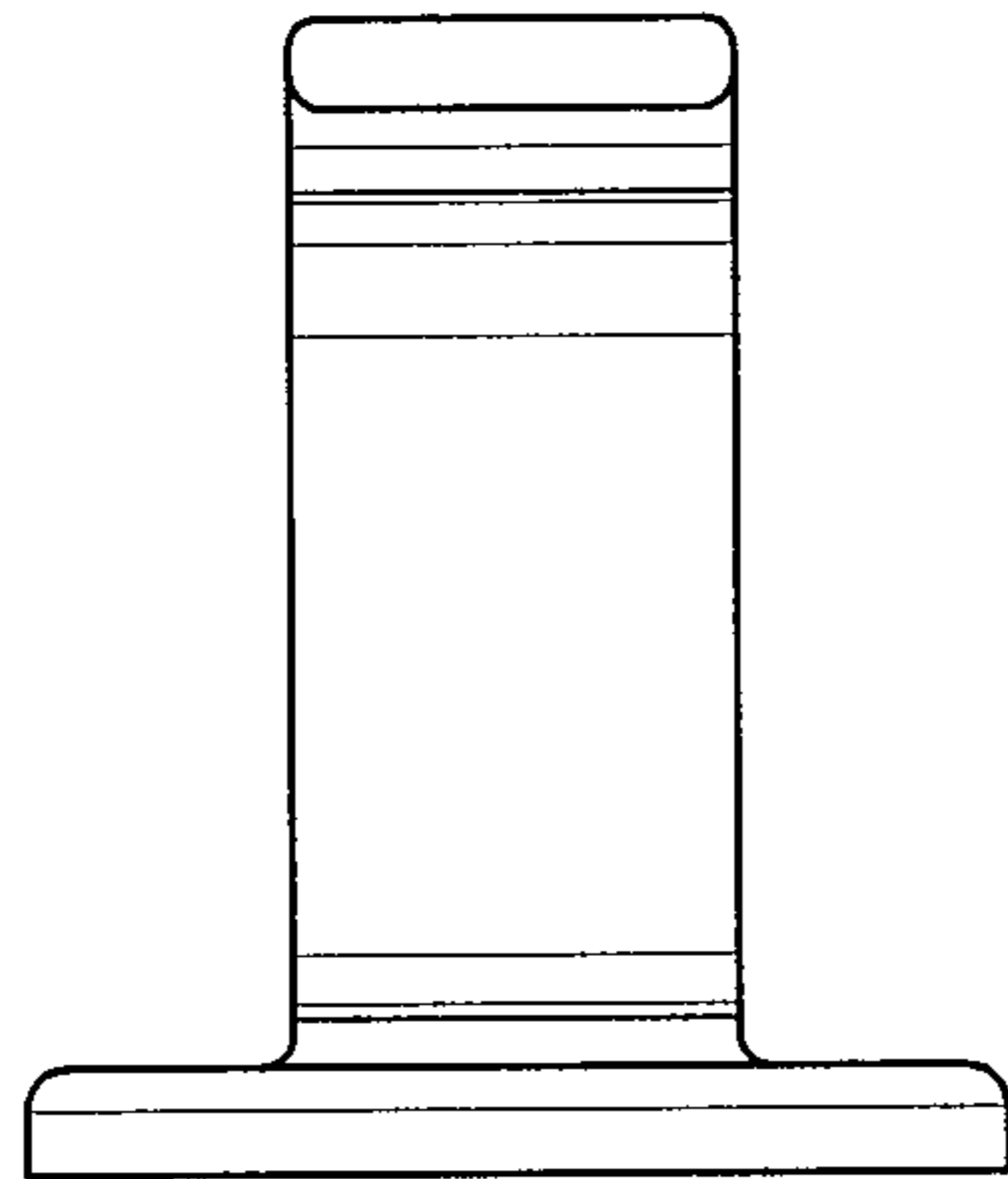


FIG. 3

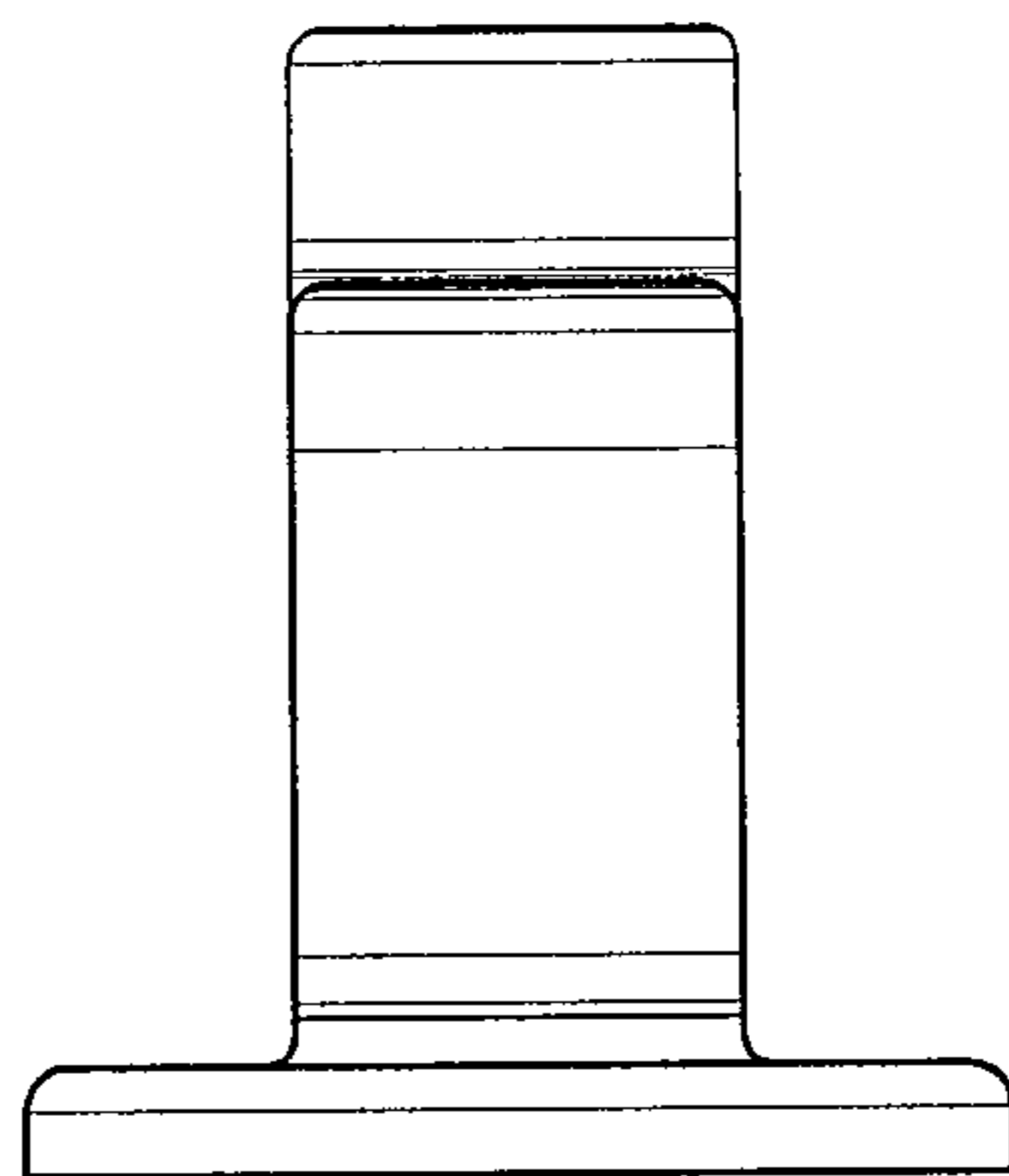


FIG. 4

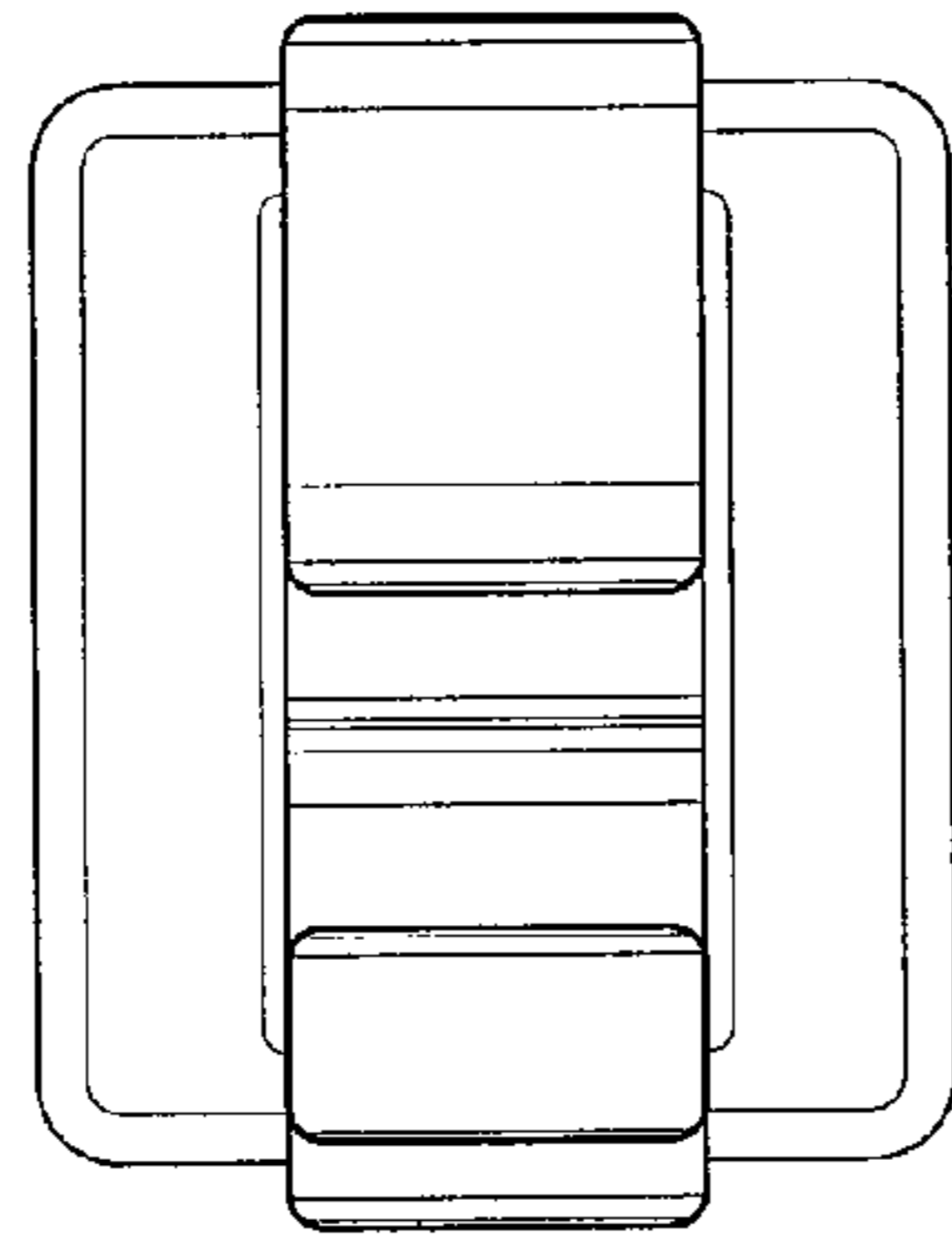


FIG. 5

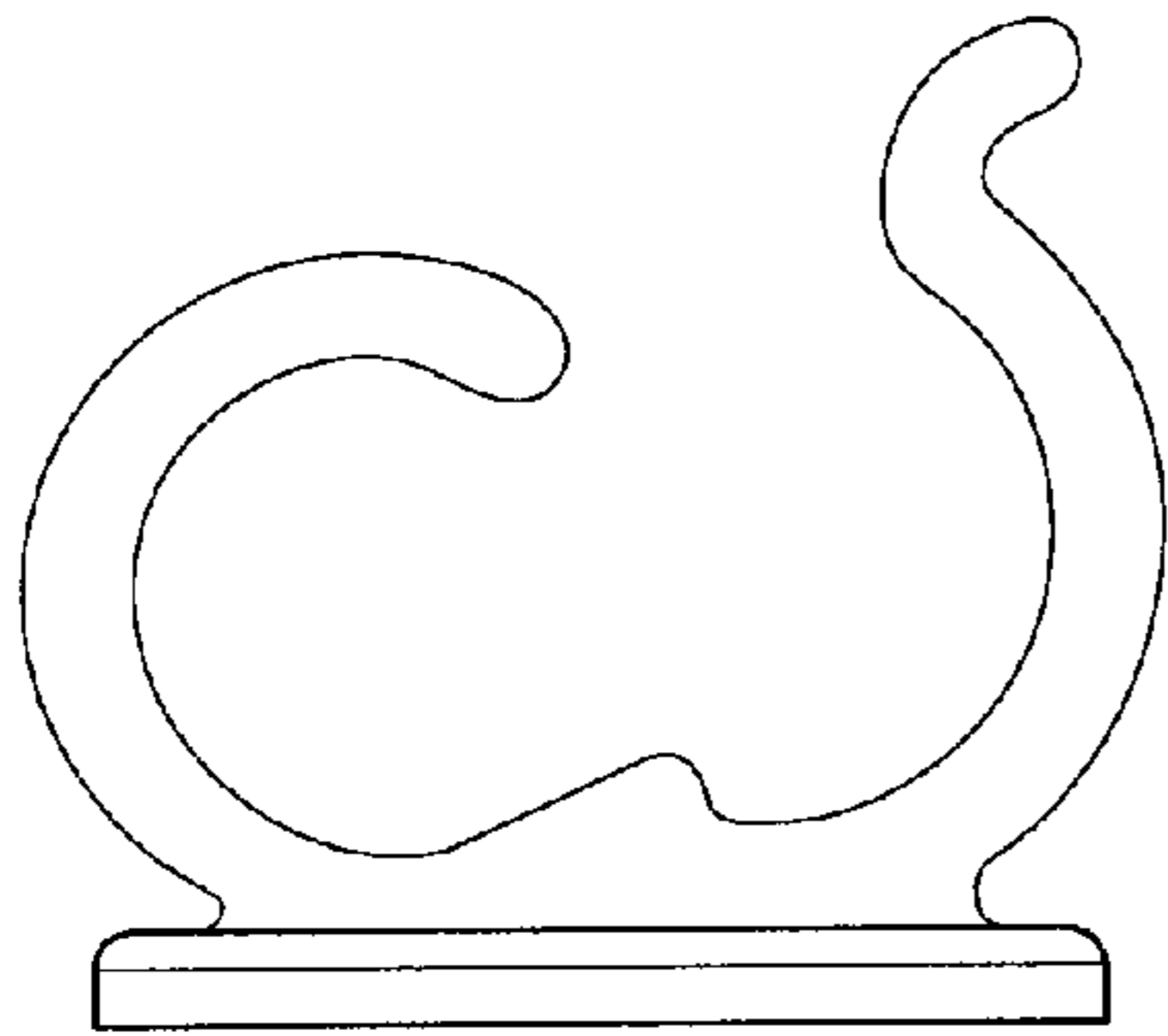


FIG. 6

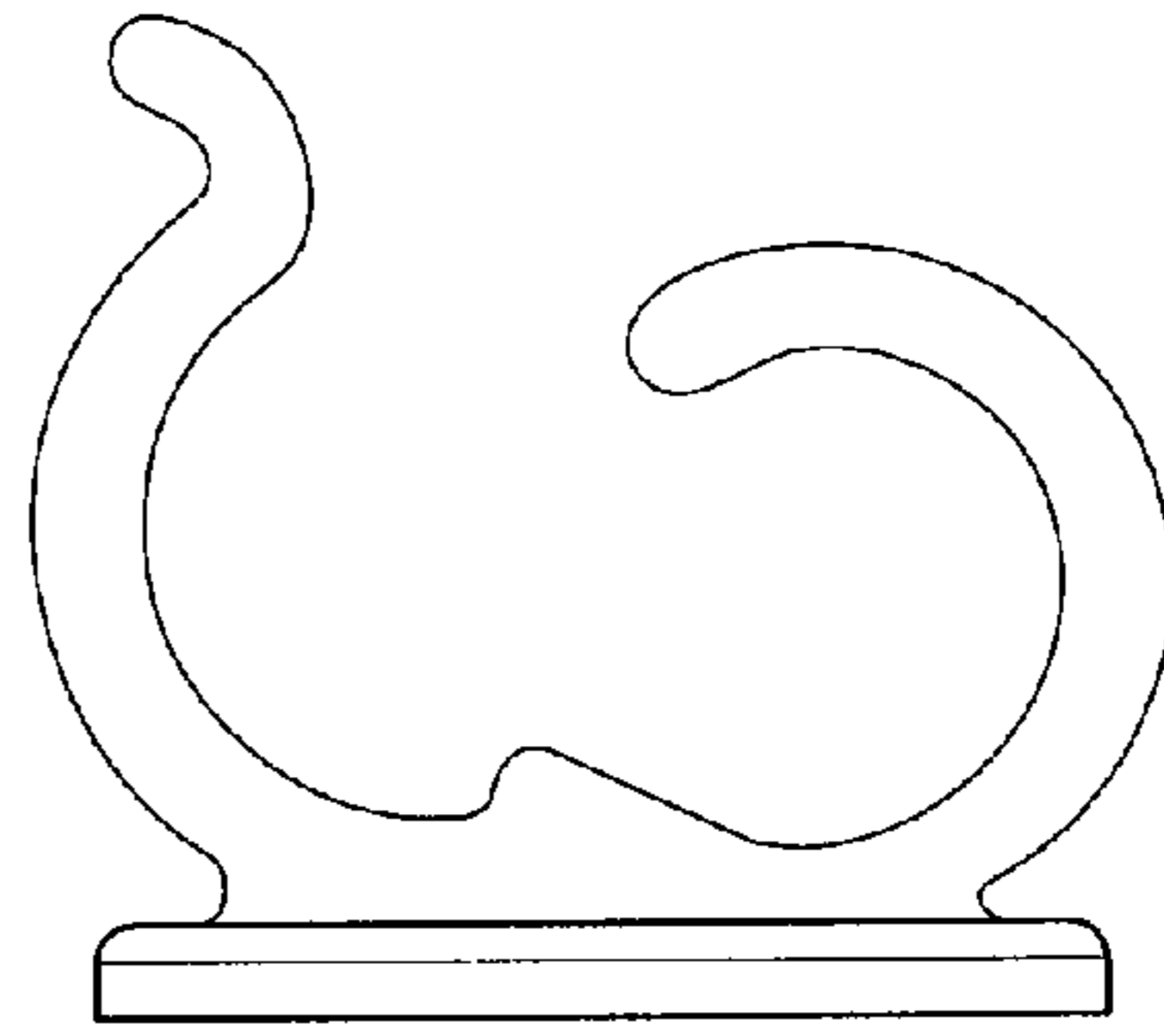


FIG. 7

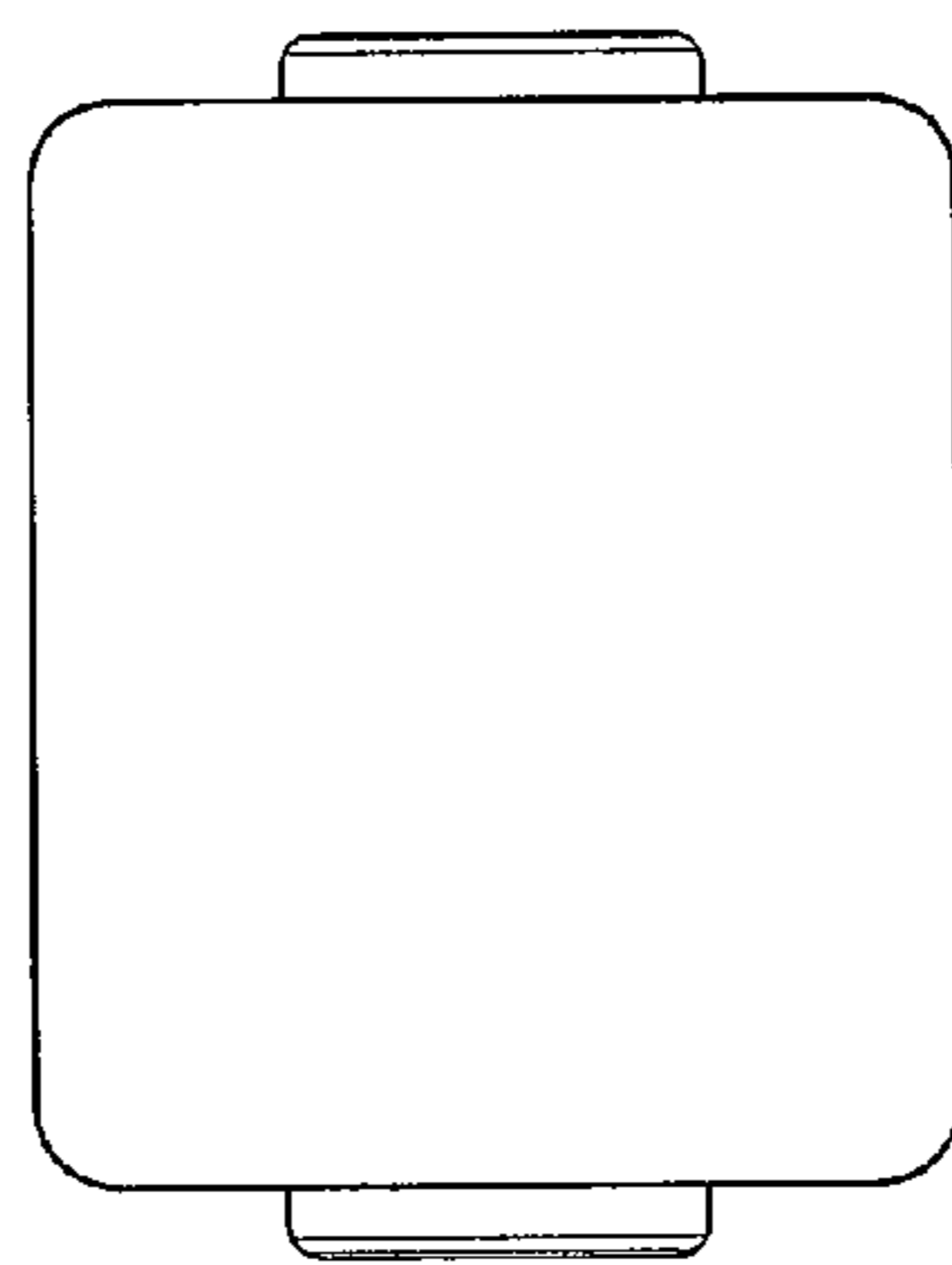


FIG. 8