



US00D682463S

(12) **United States Design Patent**
Bernard

(10) **Patent No.:** **US D682,463 S**

(45) **Date of Patent:** **** *May 14, 2013**

(54) **TRACK LIGHTING HANGING BRACKET**

(76) Inventor: **Easton O. Bernard**, Toronto (CA)

(*) Notice: This patent is subject to a terminal disclaimer.

(**) Term: **14 Years**

(21) Appl. No.: **29/414,943**

(22) Filed: **Mar. 6, 2012**

(51) **LOC (9) Cl.** **26-99**

(52) **U.S. Cl.**
USPC **D26/140**

(58) **Field of Classification Search** D26/155,
D26/60, 152, 154, 74, 75, 76, 77, 78, 113,
D26/118, 119, 120, 121, 122, 128, 138, 125,
D26/124, 126, 127, 85, 86, 88, 89, 90, 91,
D26/65, 64, 67, 68, 1, 2, 24, 141, 142, 145,
D26/144, 92, 93, 62, 63, 51, 56, 55, 58, 104,
D26/139, 140, 3; 362/101, 225, 634, 246,
362/326, 249.01-249.11, 220, 221, 224,
362/222, 223, 275, 276, 277, 271, 162, 450,
362/236; 211/10; 439/94, 95, 115, 110; D8/380,
D8/396, 394, 72, 354, 349, 373; D6/310,
D6/314, 470; D23/411; D11/90, 89, 132; D19/96,
D19/90, 77, 78, 75; D13/179, 180, 155
See application file for complete search history.

(56) **References Cited**

U.S. PATENT DOCUMENTS

2,711,876	A	6/1955	Goebel	
3,334,197	A *	8/1967	Boden et al.	191/40
3,341,803	A *	9/1967	Bustamante	439/111
3,431,585	A	3/1969	Foltz	
3,436,047	A	4/1969	Foltz	
3,577,930	A *	5/1971	Rooklyn	104/173.1
3,683,312	A	8/1972	Routh et al.	
4,997,148	A *	3/1991	Sherman	248/74.1

5,335,890	A	8/1994	Pryor et al.	
D358,971	S *	6/1995	Glynn	D8/73
5,653,412	A	8/1997	Martorano et al.	
5,797,675	A *	8/1998	Tanner, Jr.	362/396
D408,727	S *	4/1999	Sherman	D8/396
5,984,243	A *	11/1999	Pfaller et al.	248/74.1
6,033,239	A *	3/2000	Jaakkola et al.	439/121
D422,204	S *	4/2000	Holloway et al.	D8/396
6,170,967	B1 *	1/2001	Usher et al.	362/394
6,315,432	B1 *	11/2001	Kuo	362/287
6,435,698	B1 *	8/2002	Schneider	362/233
6,665,331	B2 *	12/2003	Chien	372/109
D516,903	S *	3/2006	Friedline et al.	D8/380
D551,528	S *	9/2007	Vautour	D8/72
D629,679	S *	12/2010	Riddell et al.	D8/394
7,959,319	B2 *	6/2011	Chien	362/230
8,104,731	B2 *	1/2012	Faucher et al.	248/343
D658,977	S *	5/2012	Riddell et al.	D8/394
8,172,435	B2 *	5/2012	Spiro et al.	362/391
2010/0058701	A1 *	3/2010	Yao et al.	52/547

* cited by examiner

Primary Examiner — Kevin Rudzinski

(74) *Attorney, Agent, or Firm* — Montgomery Patent & Design, LLC; Robert C. Montgomery; Joseph Yaksich

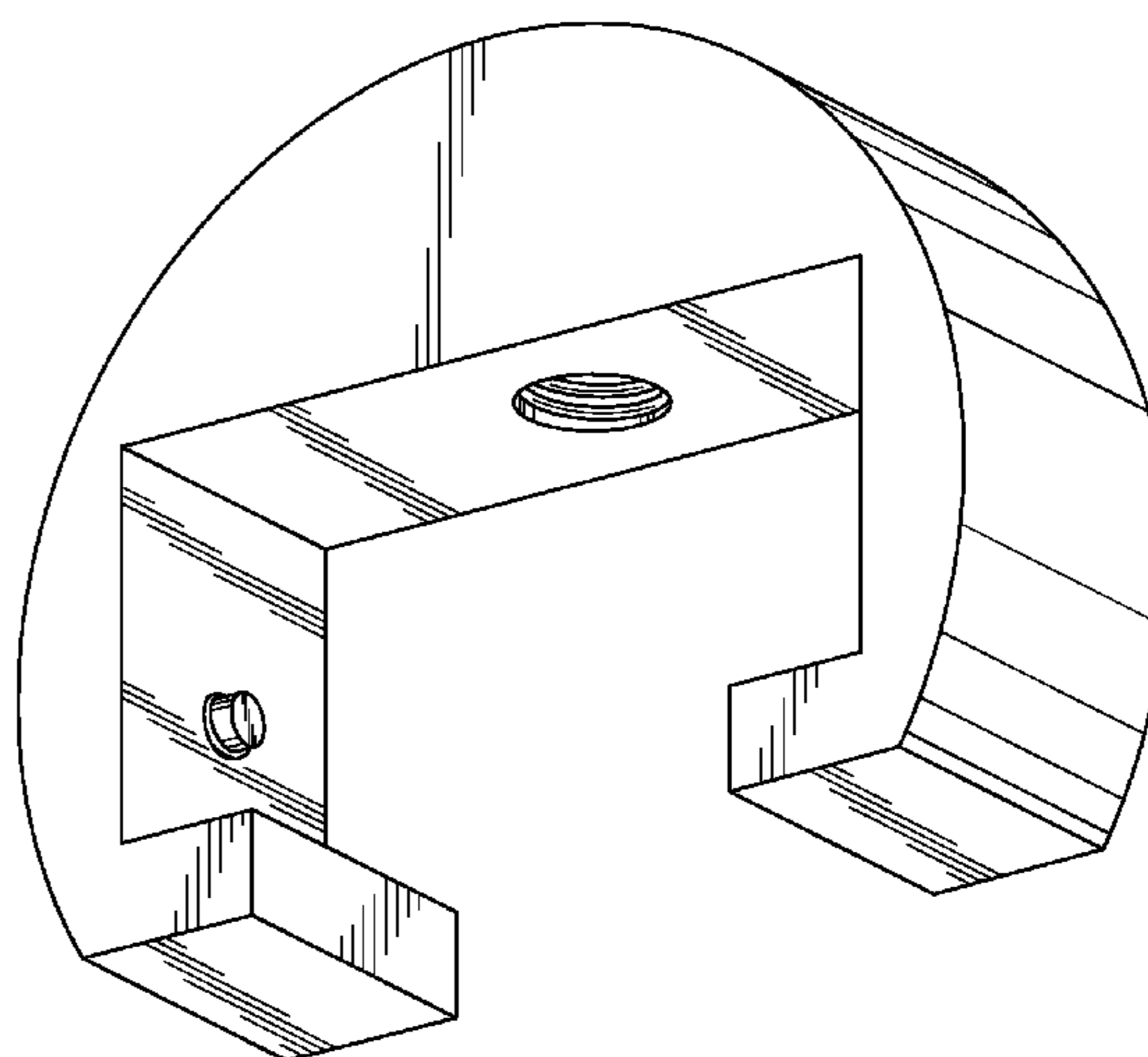
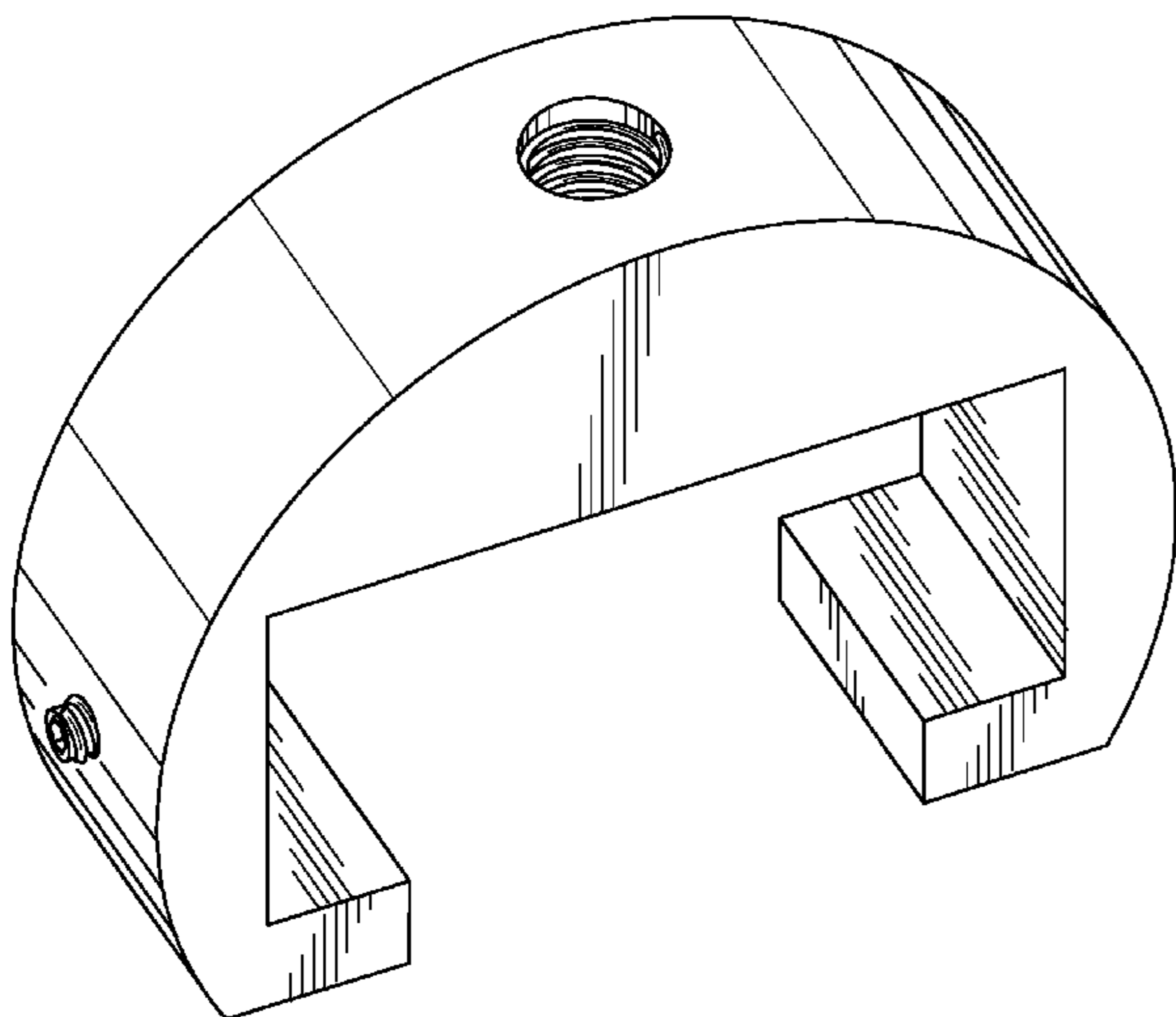
(57) **CLAIM**

The ornamental design for a track lighting hanging bracket, as shown and described.

DESCRIPTION

FIG. 1 is a perspective top view of a track lighting hanging bracket, showing my new design;
FIG. 2 is a perspective bottom view thereof;
FIG. 3 is a front view thereof;
FIG. 4 is a rear view thereof;
FIG. 5 is a left side view thereof;
FIG. 6 is a right side view thereof;
FIG. 7 is a top view thereof; and,
FIG. 8 is a bottom view thereof.

1 Claim, 7 Drawing Sheets



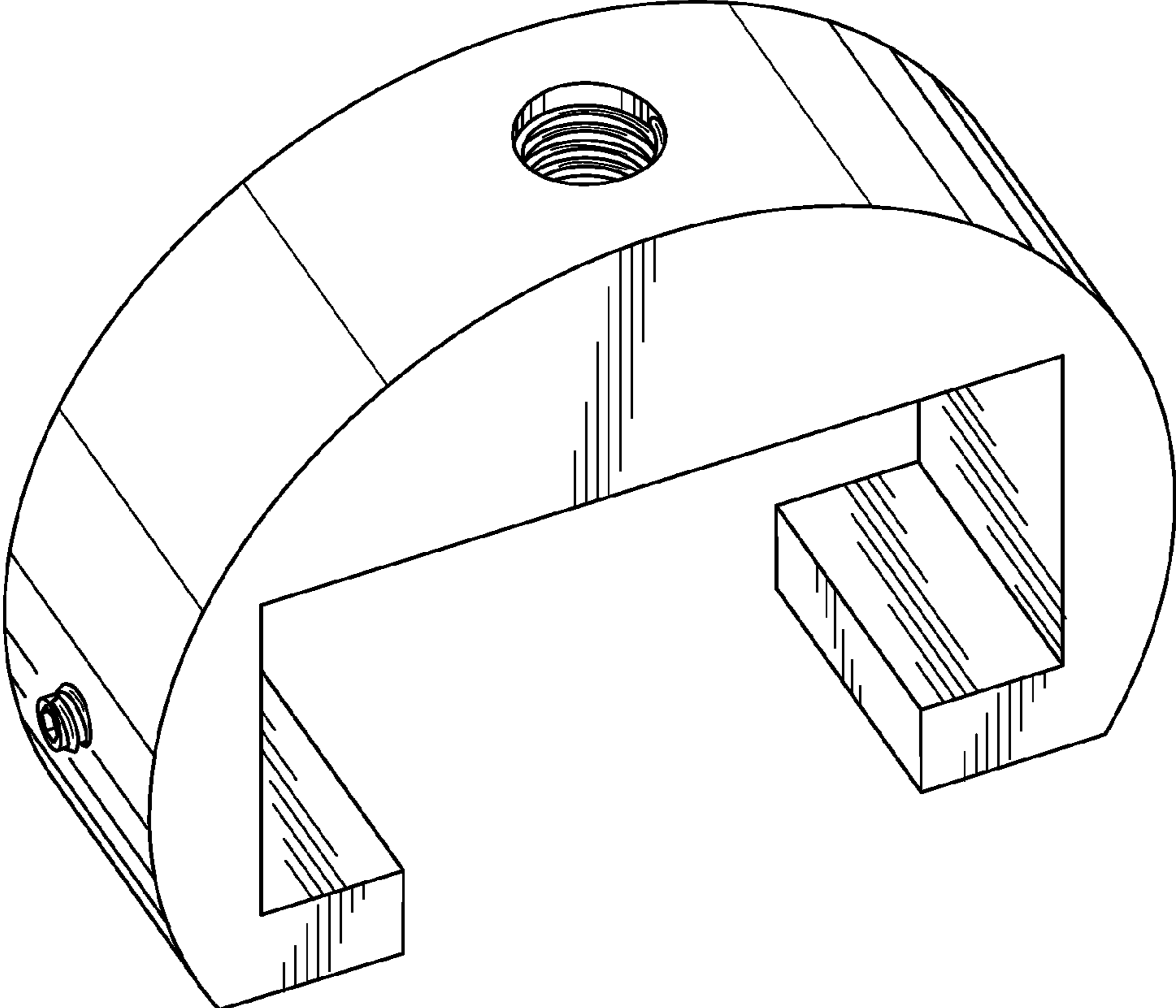


Fig. 1

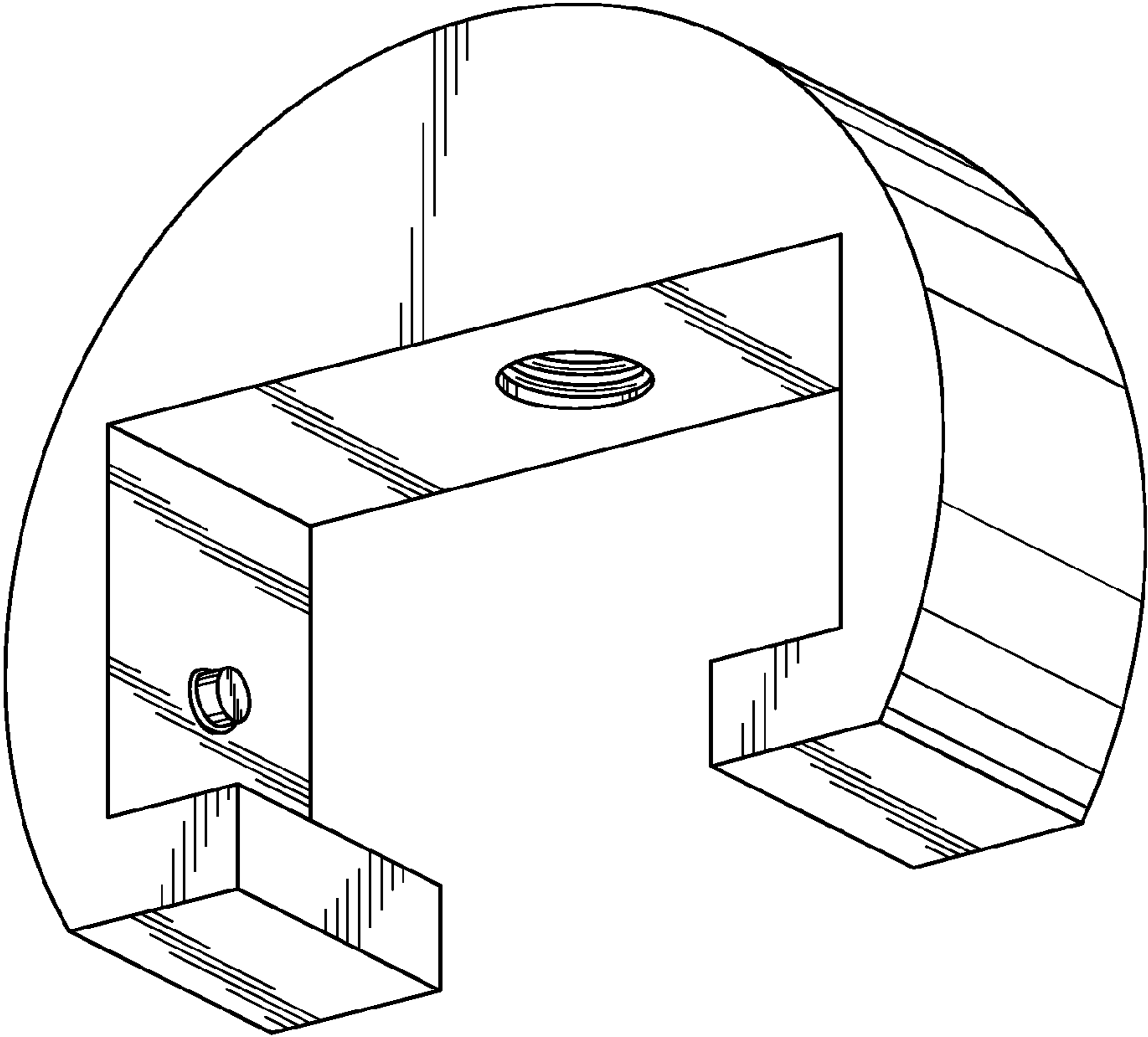


Fig. 2

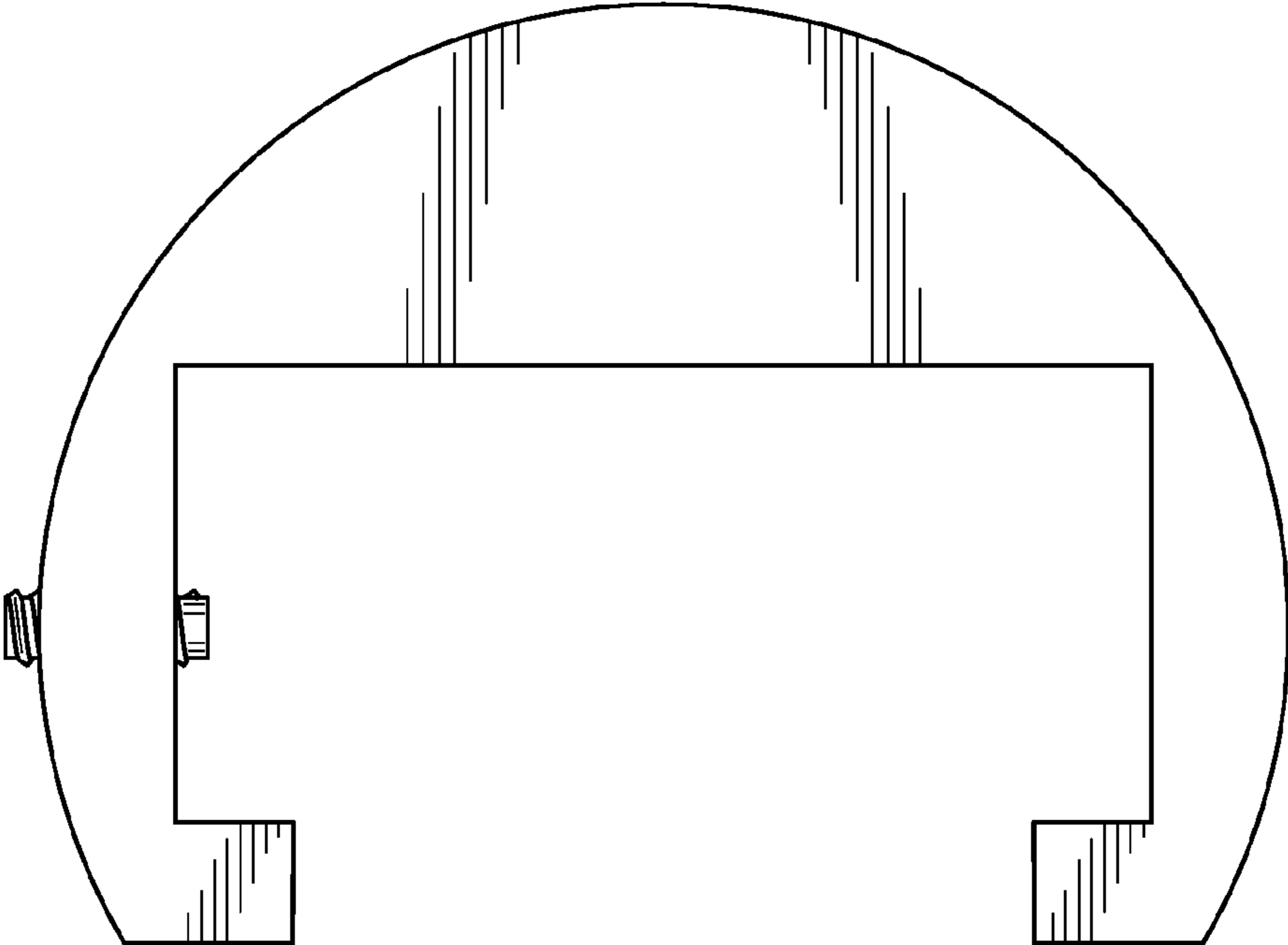


Fig. 3

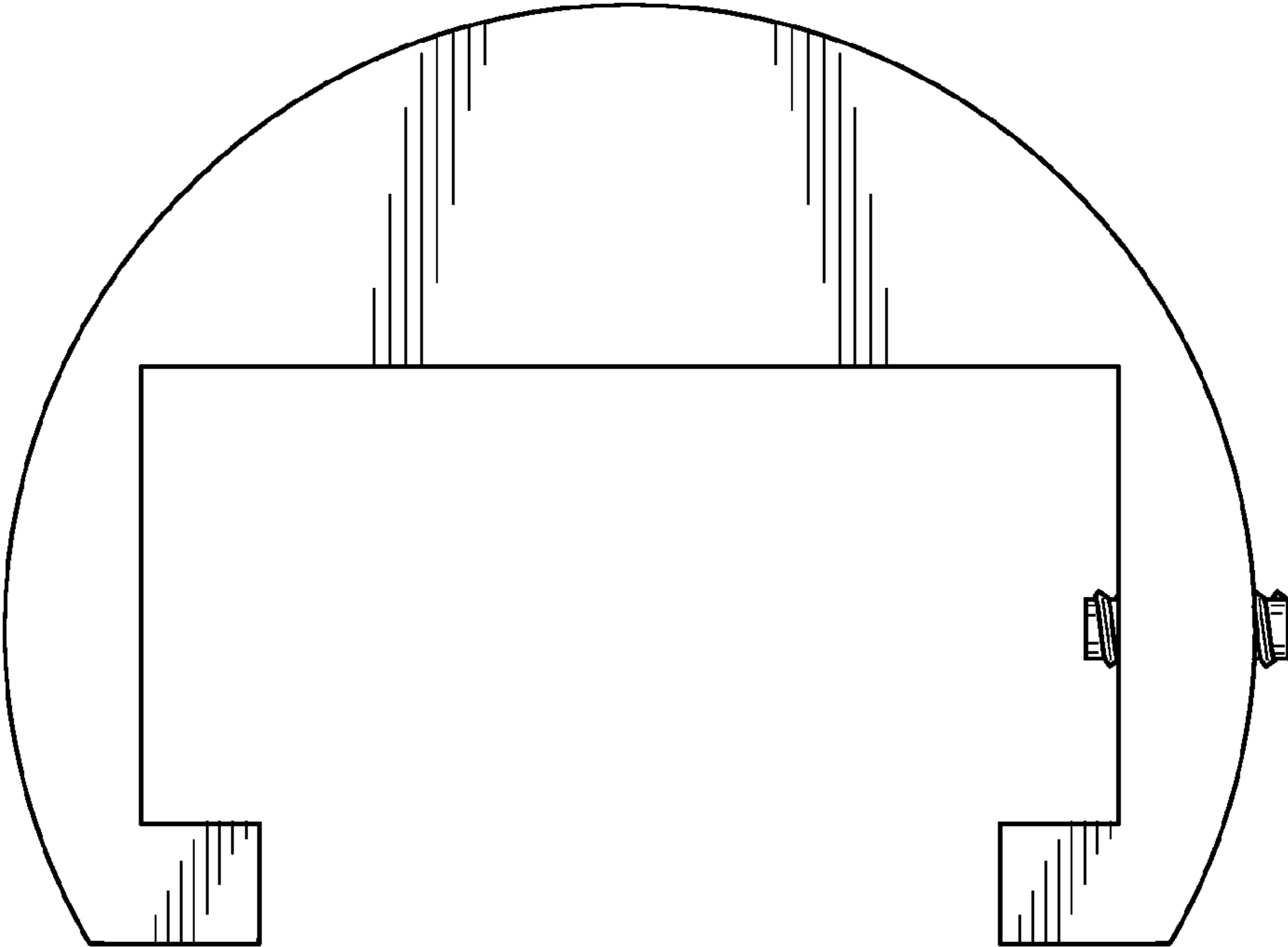


Fig. 4

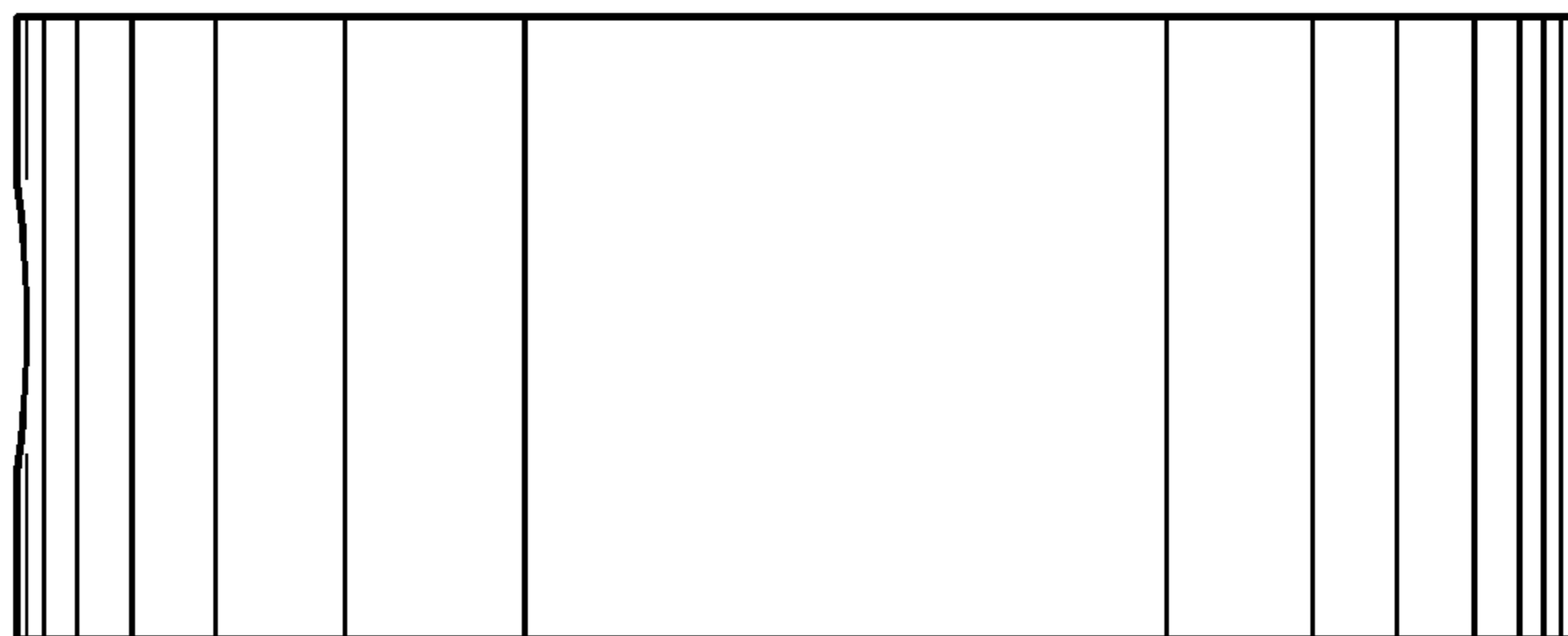


Fig. 6

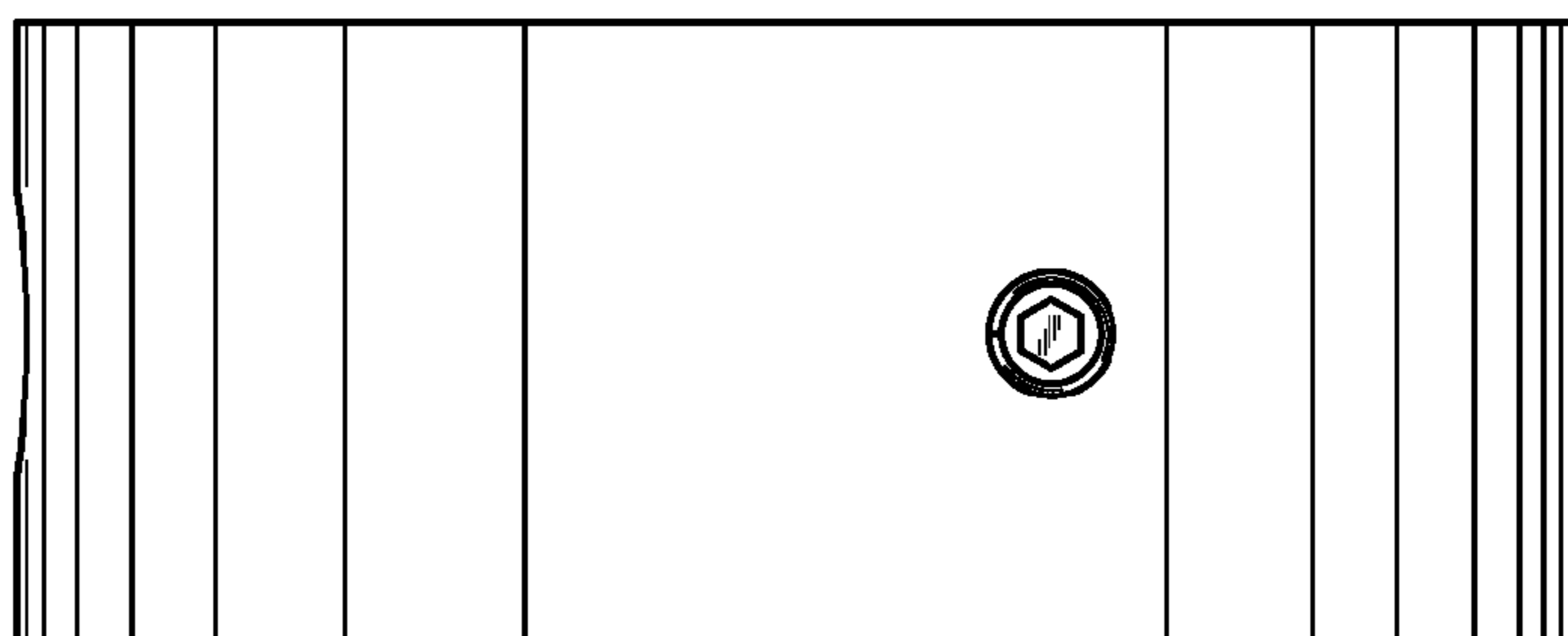


Fig. 5

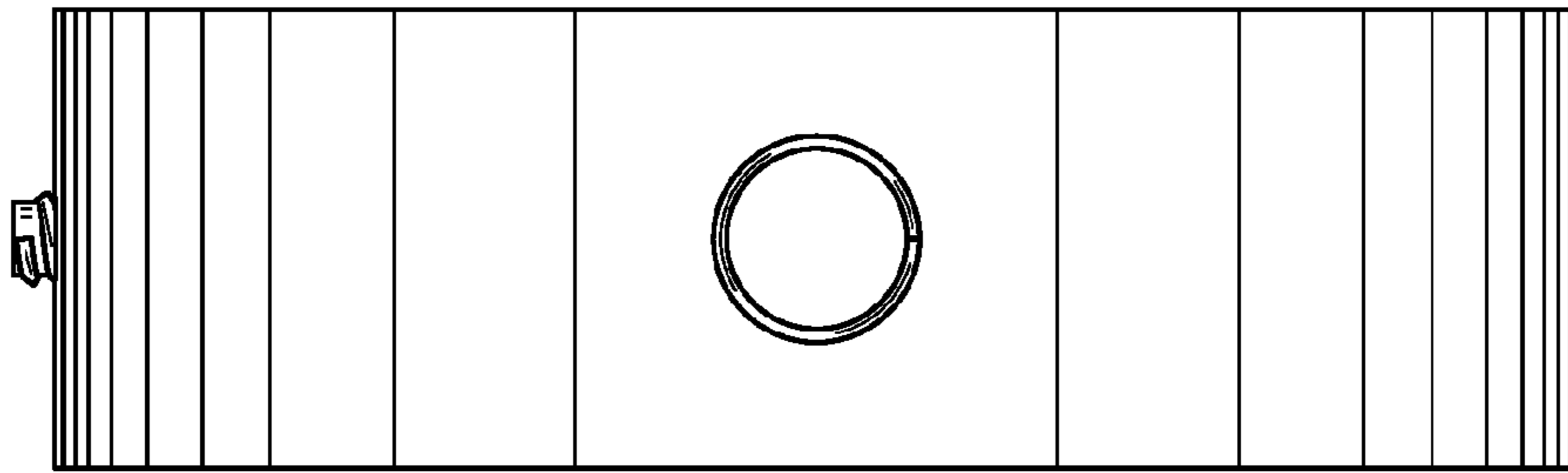


Fig. 7

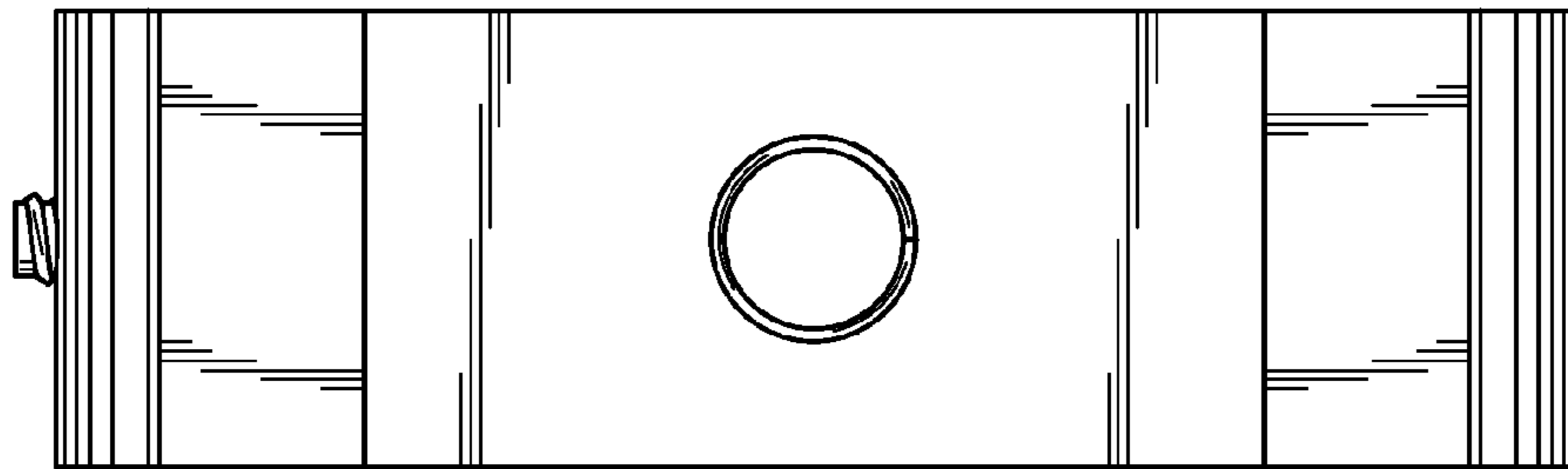


Fig. 8