



US00D682462S

(12) **United States Design Patent**
Tuck et al.

(10) **Patent No.:** **US D682,462 S**

(45) **Date of Patent:** **** May 14, 2013**

(54) **ENVIRONMENTAL CHAMBER LIGHT CAP**

(56) **References Cited**

(75) Inventors: **Richard G. Tuck**, Gambier, OH (US);
R. Stephen Mulder, Tucson, AZ (US)

U.S. PATENT DOCUMENTS

(73) Assignee: **Cycloptics, LLC**, Gambier, OH (US)

D85,049	S	*	9/1931	Kopp	D26/128
2,242,590	A	*	5/1941	Moreau	362/341
D218,579	S	*	9/1970	Kahn	D10/114.1
3,675,008	A	*	7/1972	Hill	362/355
D232,376	S	*	8/1974	Yahraus et al.	D26/24
6,024,470	A	*	2/2000	Wang	362/370
6,126,300	A	*	10/2000	Lee	362/352
6,152,579	A	*	11/2000	Reed et al.	362/320
D442,733	S	*	5/2001	Minissi et al.	D26/118
6,478,454	B1	*	11/2002	Jaffari et al.	362/307

(**) Term: **14 Years**

(21) Appl. No.: **29/390,985**

(22) Filed: **May 2, 2011**

(51) **LOC (9) Cl.** **26-99**

(52) **U.S. Cl.**
USPC **D26/118**

(58) **Field of Classification Search** D26/113,
D26/71, 72, 73, 74, 75, 76, 78, 122, 121,
D26/120, 119, 118, 1, 80, 86, 87, 88, 89,
D26/90, 35, 36, 85, 62, 61, 63, 64, 65, 66,
D26/67, 68, 28, 31, 24, 25, 26, 60, 103, 104,
D26/105, 106, 109, 110, 93, 138, 140, 141,
D26/142, 143, 144, 145, 152, 153, 154, 155,
D26/41, 42, 51, 52, 50, 37, 128, 123, 124,
D26/125, 129, 131, 134, 135, 136, 2, 3; D13/179,
D13/180; D8/354, 382, 373, 377; 362/373,
362/294.02, 218, 510, 516, 410, 183, 396,
362/130, 190, 249.07, 249.09, 249.1, 249.11,
362/285, 413, 287, 220, 418, 419, 92, 249.08,
362/205, 184, 260, 399, 398, 397, 258, 374,
362/375, 216, 558, 561, 354, 249.06, 249.05,
362/132, 133, 249.03, 223, 241, 345, 327,
362/217.05, 247, 224, 297; 52/455; D25/124,
D25/125, 60, 119; 349/113, 61, 59, 60, 62,
349/64, 65, 67, 66; 248/558, 339, 557; 438/15;
345/102; D12/406; D10/114.1, 111; D11/145,
D11/144, 125, 121; 428/11; 257/96, 97,
257/98, 99

(Continued)

Primary Examiner — Kevin Rudzinski

(74) *Attorney, Agent, or Firm* — Porter, Wright, Morris & Arthur, LLP

(57) **CLAIM**

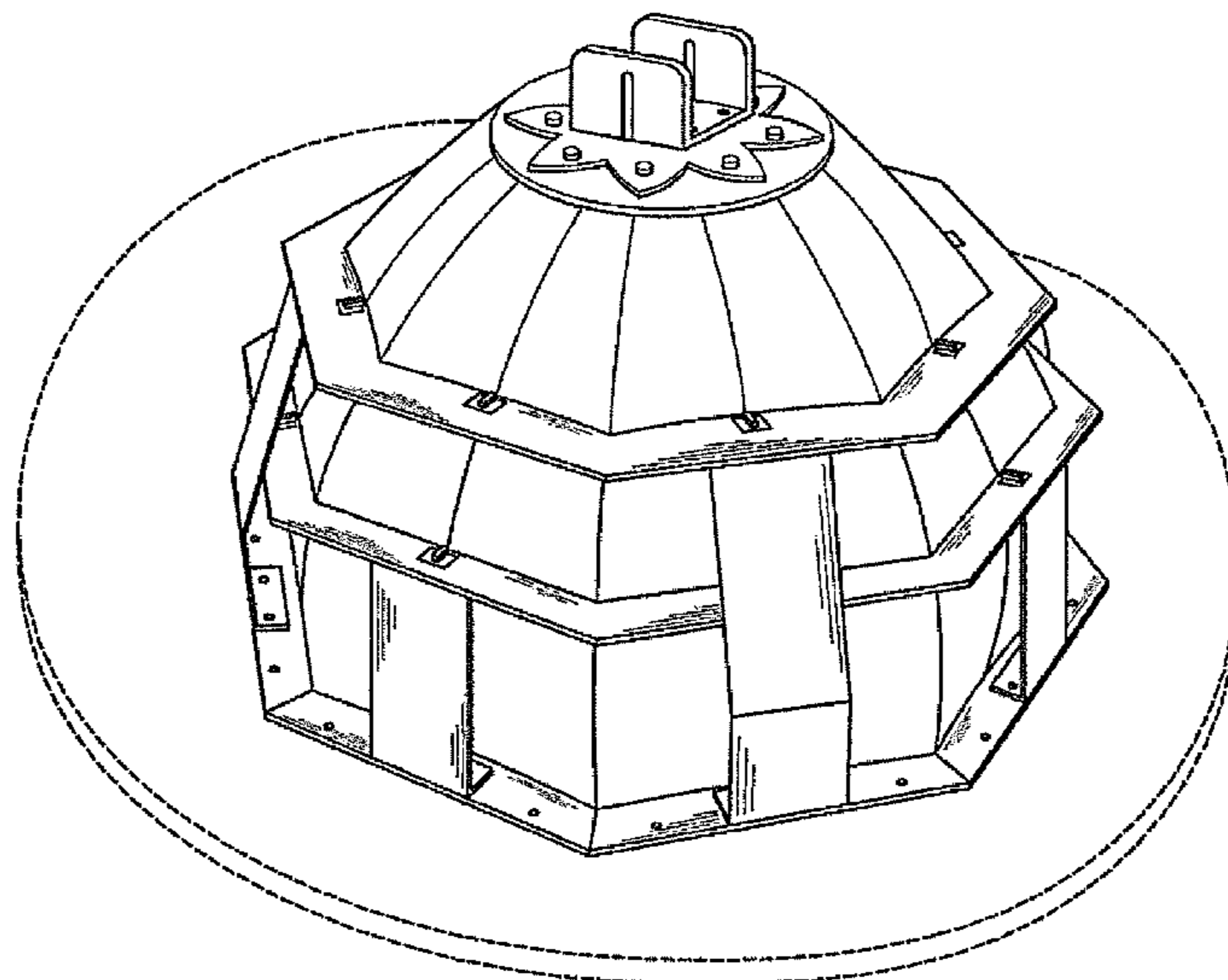
The ornamental design for an environmental chamber light cap, as shown and described.

DESCRIPTION

FIG. 1 is a top perspective view of a environmental chamber light cap according to our new design;
FIG. 2 is an enlarged top perspective view thereof;
FIG. 3 is an enlarged bottom perspective view thereof;
FIG. 4 is an enlarged front view thereof, the rear view being the same;
FIG. 5 is an enlarged right side view thereof, the left side view being the same;
FIG. 6 is an enlarged top view thereof; and,
FIG. 7 is an enlarged bottom view thereof.
The dashed lines in FIG. 1 form no part of the claimed design and are included to show environment. The broken lines encircling the environmental chamber light cap in FIGS. 1 to 3, 6 and 7 indicate the bounds of the claimed design and form no part of the claimed design.

See application file for complete search history.

1 Claim, 6 Drawing Sheets



US D682,462 S

Page 2

U.S. PATENT DOCUMENTS

D469,564 S *	1/2003	Brok	D26/118	D545,994 S *	7/2007	Hargreaves	D26/118
D482,157 S *	11/2003	McClow et al.	D26/113	7,380,967 B2 *	6/2008	Reed et al.	362/433
D493,558 S *	7/2004	Kovach et al.	D26/72	7,445,363 B2 *	11/2008	Vanden Eynden	362/346
D524,978 S *	7/2006	Bellaloum	D26/102	D621,993 S *	8/2010	Jong	D26/118

* cited by examiner

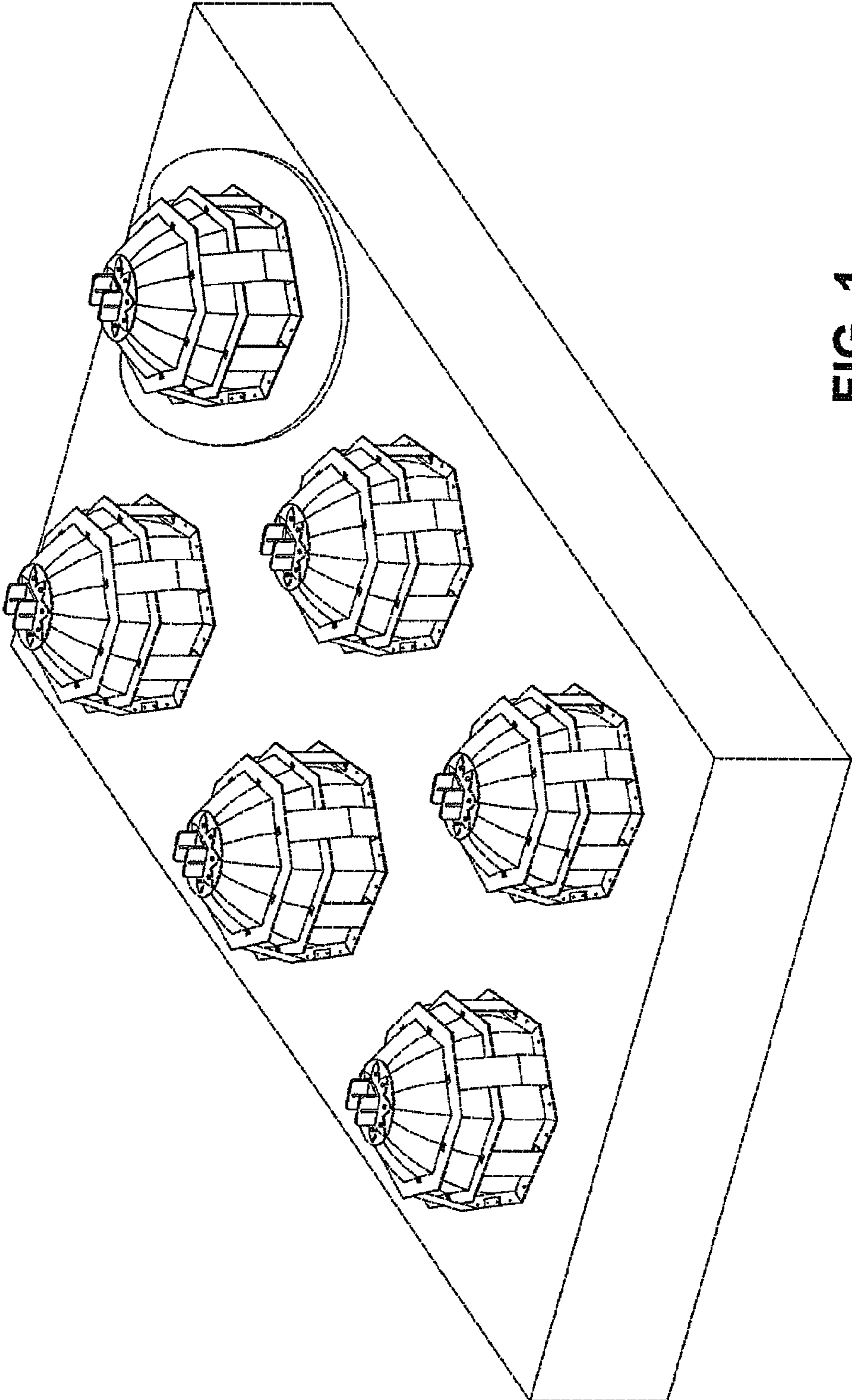


FIG. 1

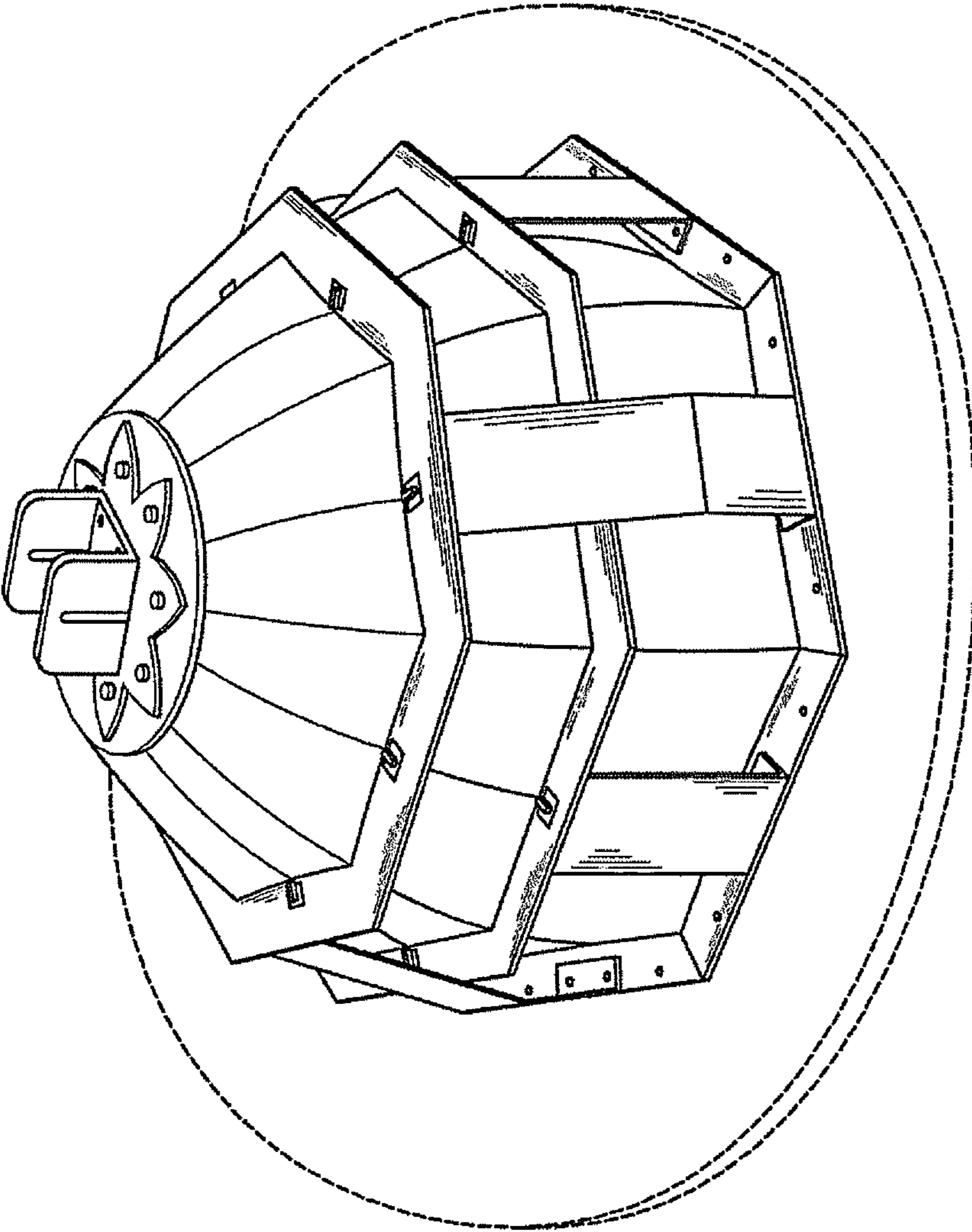


FIG. 2

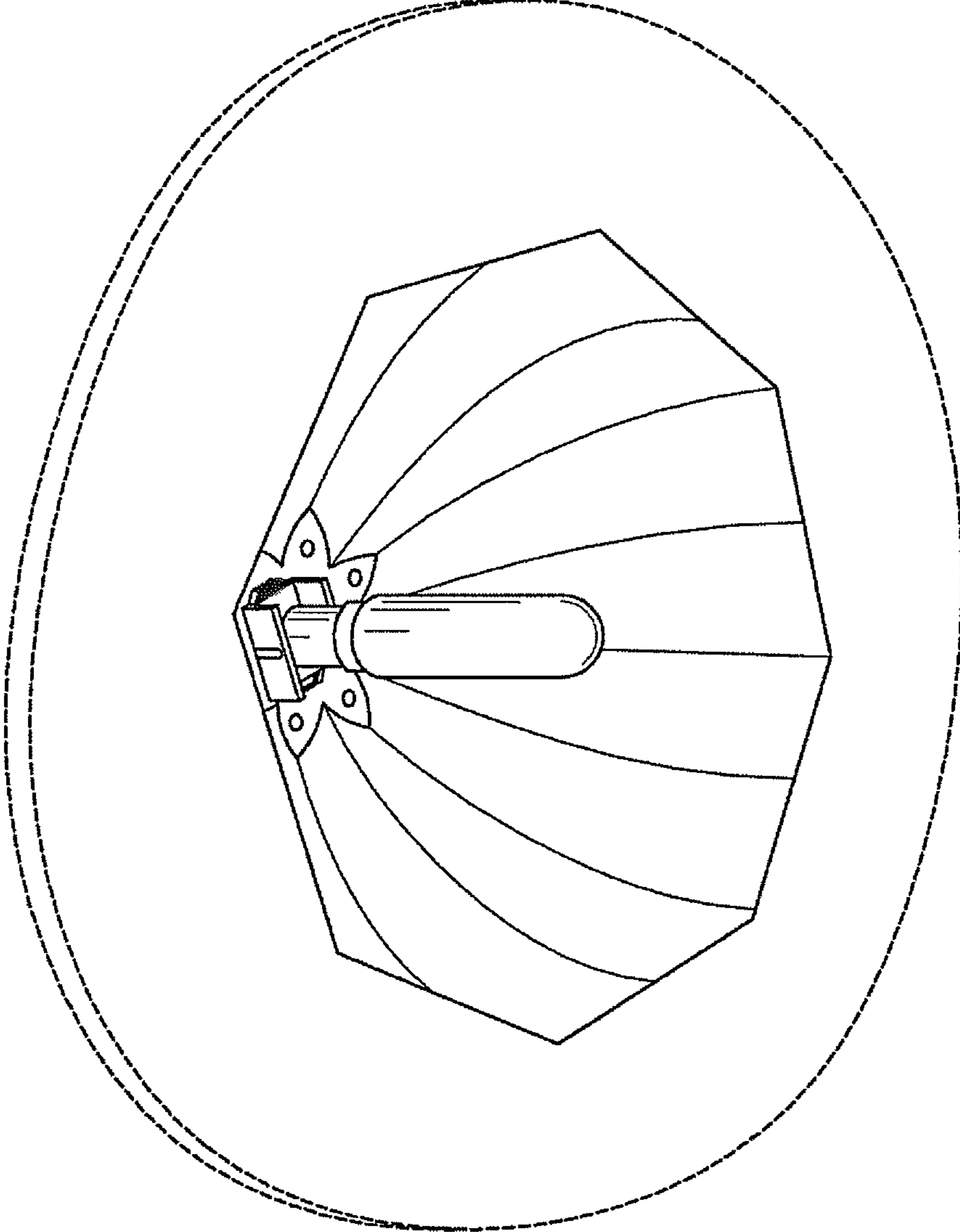


FIG. 3

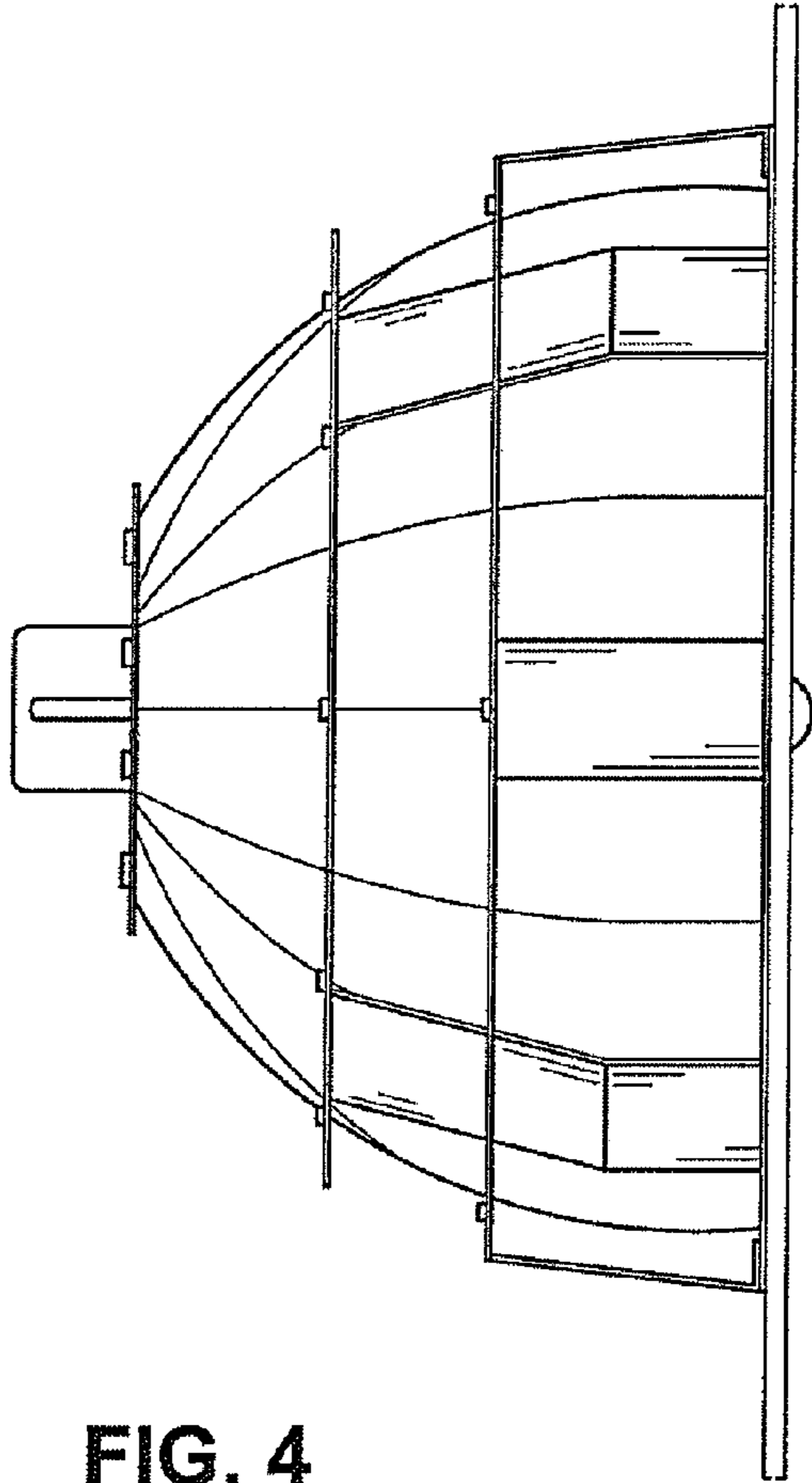


FIG. 4

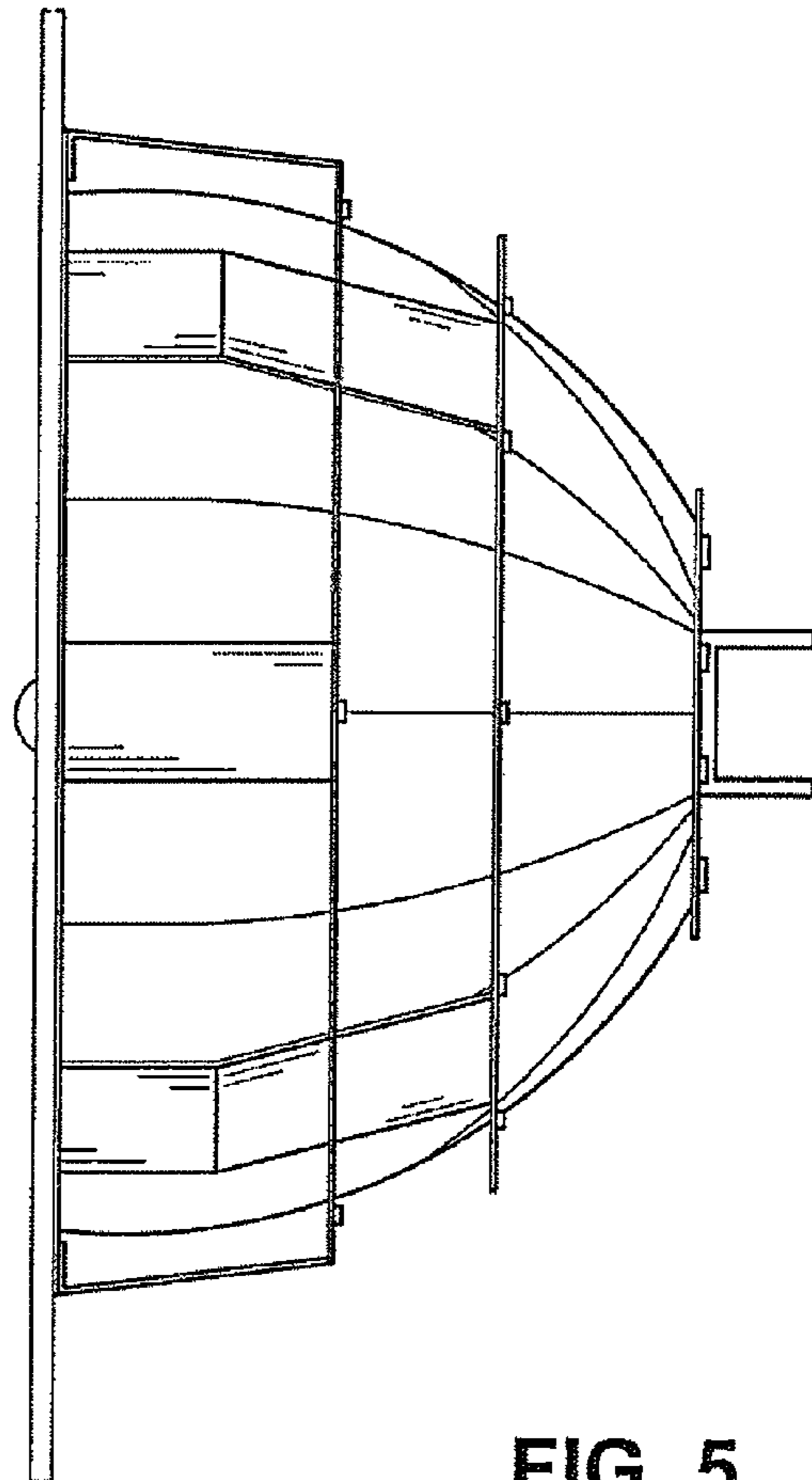


FIG. 5

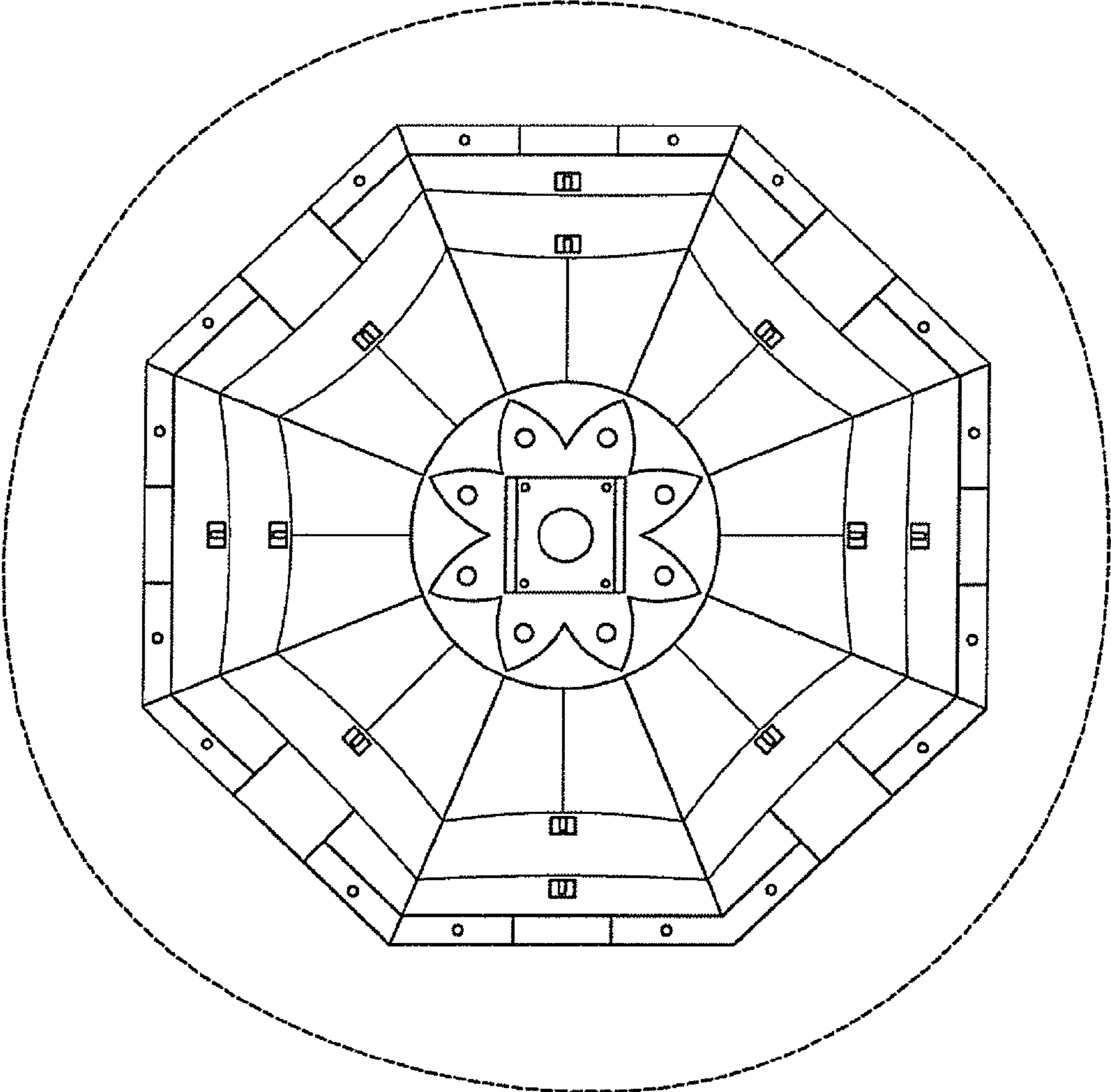


FIG. 6

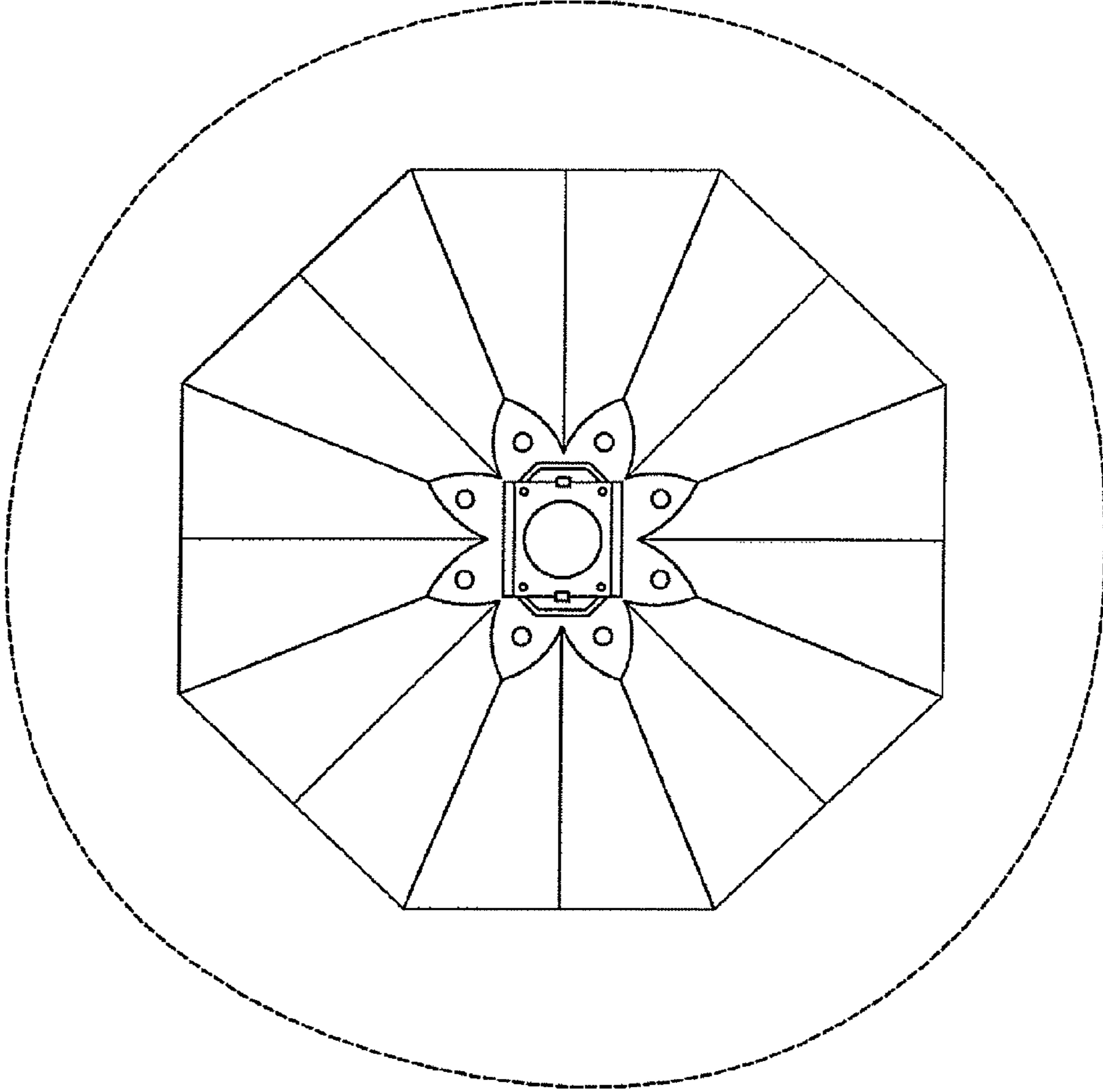


FIG. 7