



US00D682457S

(12) **United States Design Patent**
Watt

(10) **Patent No.:** **US D682,457 S**

(45) **Date of Patent:** **** May 14, 2013**

(54) **LIGHTING FIXTURE**

(75) Inventor: **Graeme Watt**, Altrincham (GB)

(73) Assignee: **Focal Point, L.L.C.**, Chicago, IL (US)

(**) Term: **14 Years**

(21) Appl. No.: **29/417,395**

(22) Filed: **Apr. 3, 2012**

(51) **LOC (9) Cl.** **26-05**

(52) **U.S. Cl.**
USPC **D26/74**

(58) **Field of Classification Search** D26/74,
D26/72, 75, 76, 77, 78, 79, 113, 118, 120,
D26/122, 138, 141; 362/482, 145, 147, 148,
362/150, 151, 152, 153, 153.1, 218, 217.02,
362/217.03, 217.05, 217.07, 217.08, 217.09,
362/217.1, 217.11, 217.14, 217.15, 342,
362/346, 347, 364, 365, 366, 800, 260, 279,
362/280, 290, 291, 292, 294, 296.01, 297,
362/298, 299, 300, 301, 310, 296.07, 311.02,
362/311.01, 311.09

See application file for complete search history.

(56) **References Cited**

U.S. PATENT DOCUMENTS

3,052,372 A * 9/1962 Shepherd 16/268
D201,544 S * 7/1965 Brooks D25/56
D242,063 S * 10/1976 Manley et al. D26/151
D242,164 S * 11/1976 Manley et al. D26/142
D481,262 S * 10/2003 Tisdale et al. D7/586

D489,575 S * 5/2004 De Neubourg D7/554.3
D496,487 S * 9/2004 Rhee D26/89
7,152,997 B1 * 12/2006 Kovacic et al. 362/249.05
D579,598 S * 10/2008 Santoro D26/76
D597,241 S * 7/2009 Fabbri et al. D26/74
D614,338 S * 4/2010 Sieczkowski et al. D26/74
D632,830 S * 2/2011 Sekowski et al. D26/118
D646,012 S * 9/2011 Irvine D26/74

* cited by examiner

Primary Examiner — Angela J Lee

(74) *Attorney, Agent, or Firm* — Banner & Witcoff, Ltd.

(57) **CLAIM**

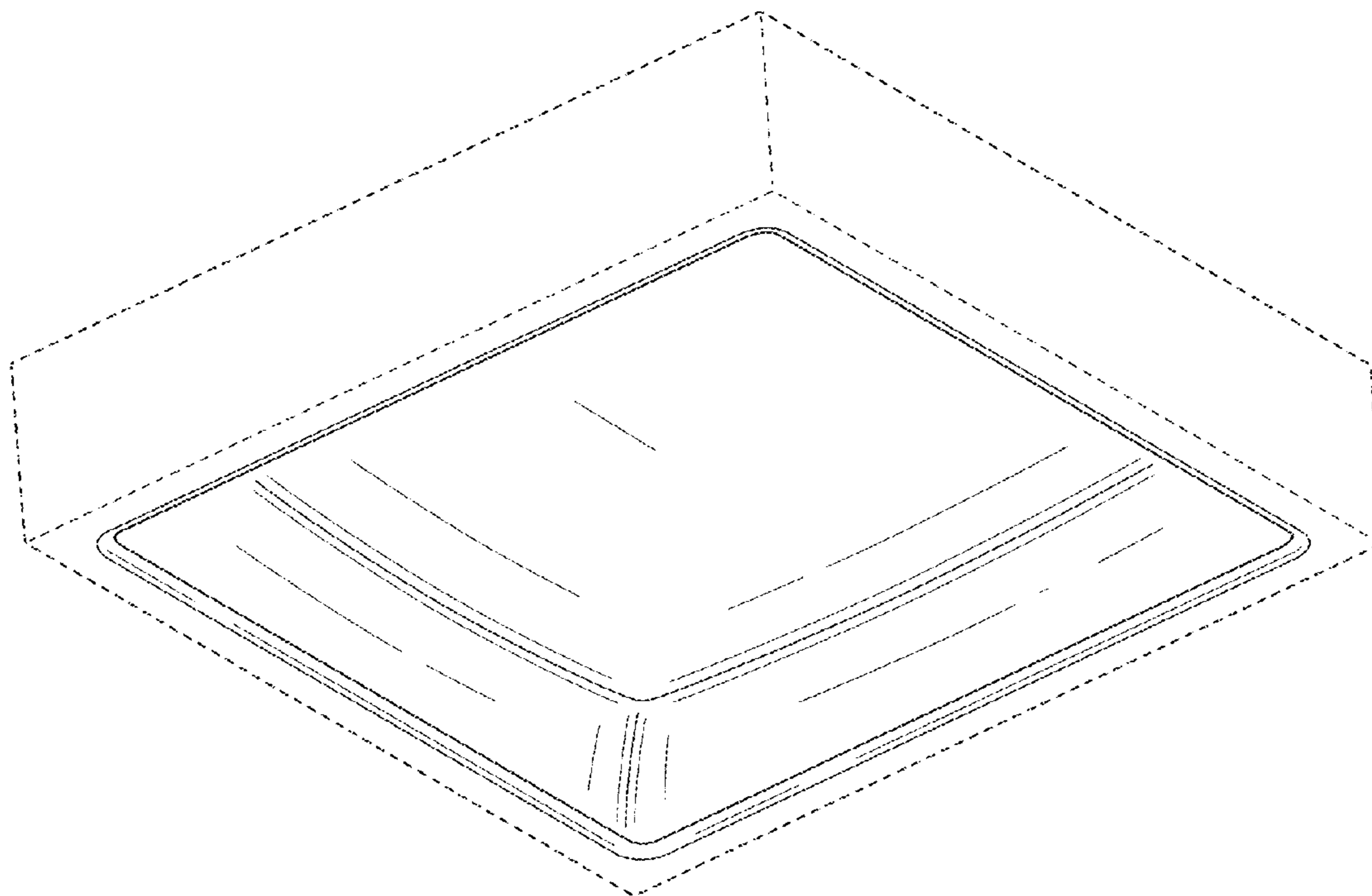
The ornamental design for a lighting fixture, as shown and described.

DESCRIPTION

FIG. 1 is a bottom, front, right perspective view of a lighting fixture showing my new design;
FIG. 2 is a bottom view thereof;
FIG. 3 is a top view thereof;
FIG. 4 is a front view thereof;
FIG. 5 is a right side view thereof;
FIG. 6 is a rear view thereof; and,
FIG. 7 is a left side view thereof.

The broken lines immediately adjacent to the shaded area represent unclaimed boundaries of the design. The broken lines showing the remainder of the lighting fixture are for environmental purposes only and form no part of the claimed design.

1 Claim, 4 Drawing Sheets



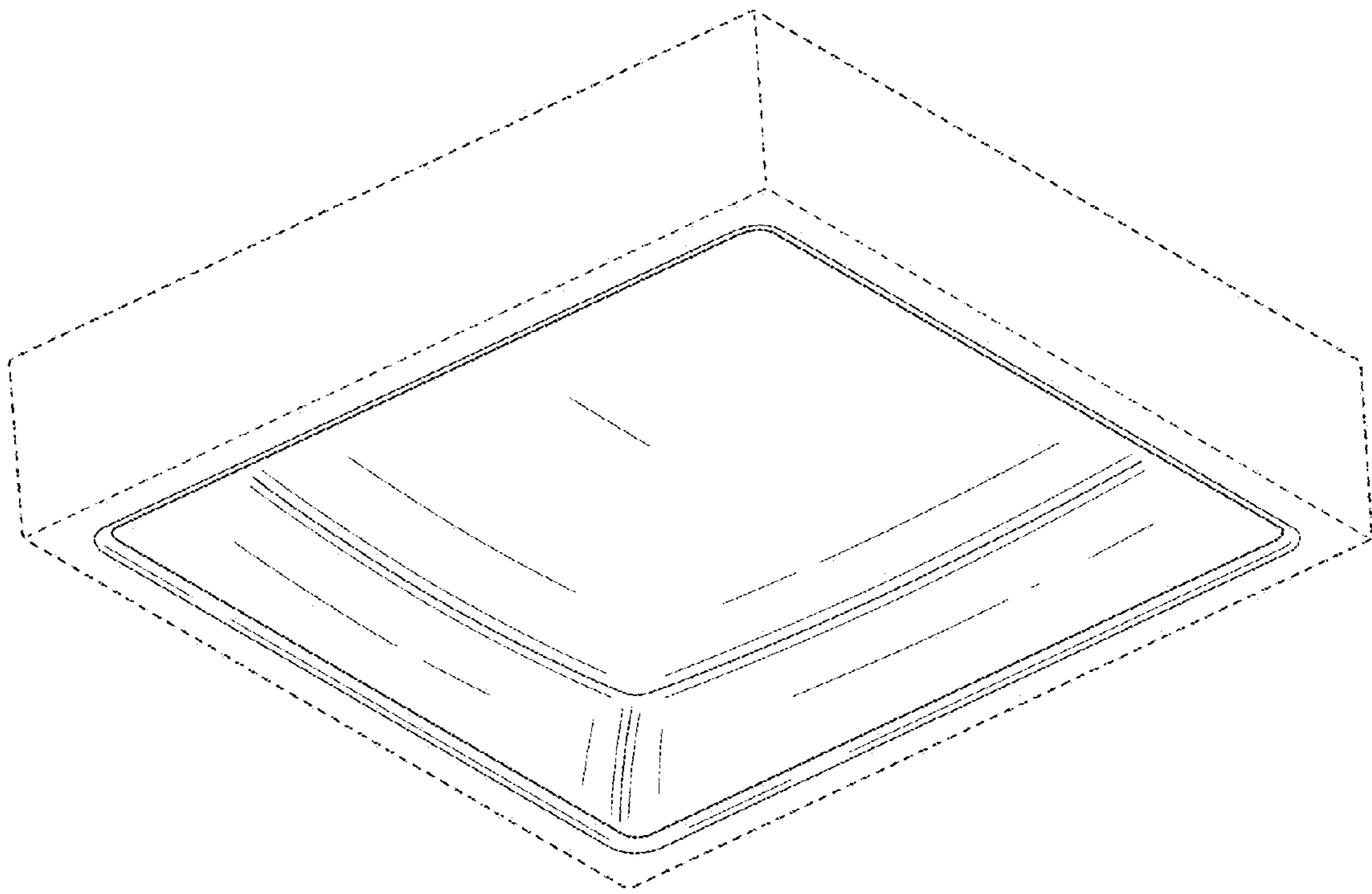


FIG. 1

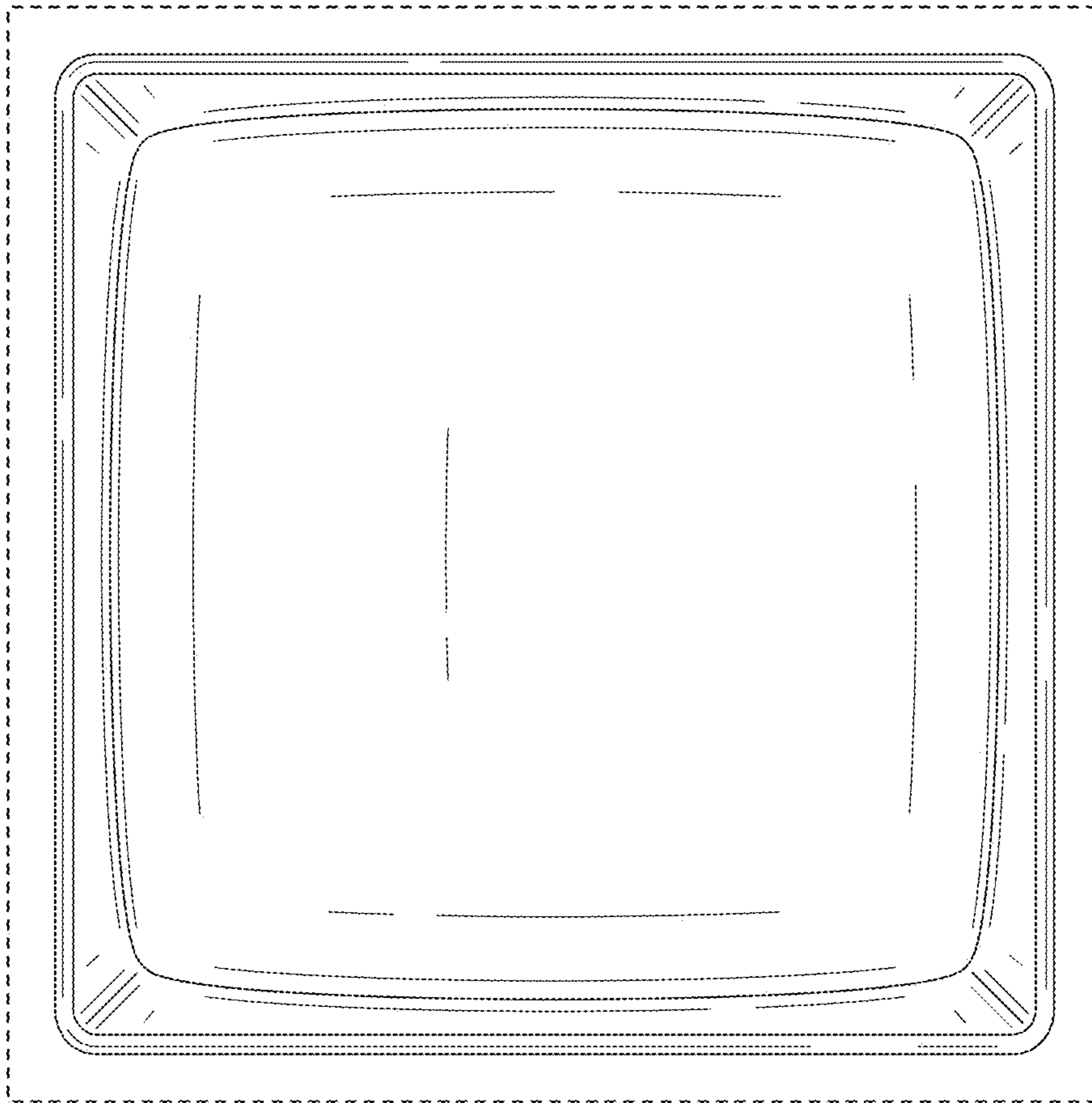


FIG. 2

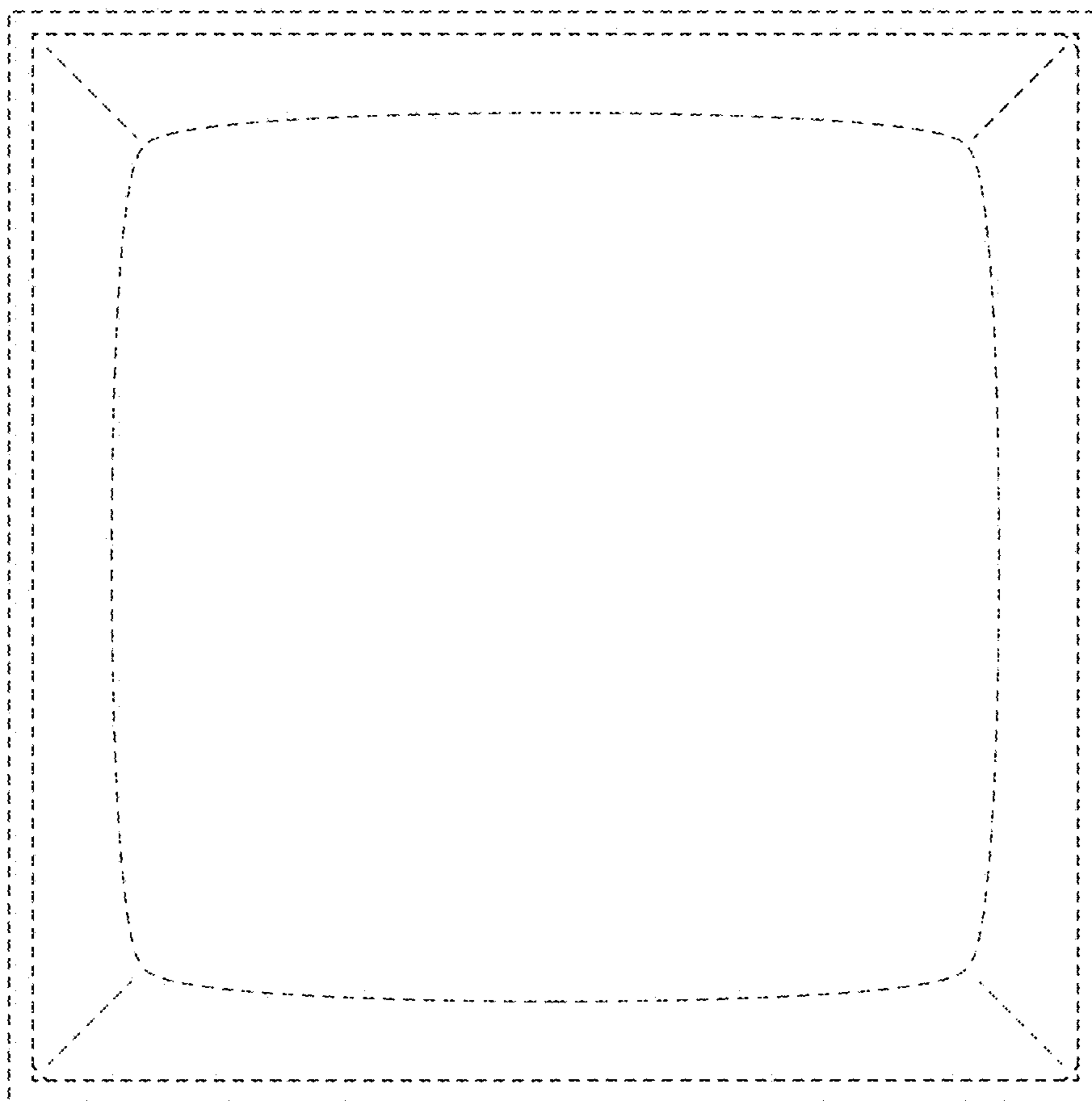


FIG. 3



FIG. 4



FIG. 5



FIG. 6



FIG. 7