



US00D682456S

(12) **United States Design Patent**
Kaplan et al.

(10) **Patent No.:** **US D682,456 S**

(45) **Date of Patent:** **** May 14, 2013**

(54) **LIGHTING FIXTURE**

(75) Inventors: **David Jeffrey Kaplan**, Chicago, IL (US); **Thomas Michael Sargeant**, Oswego, IL (US); **Christopher Ryan Watson**, Highland Park, IL (US); **Joshua Adam Weiss**, Chicago, IL (US)

(73) Assignee: **Encompass Lighting Group**, Skokie, IL (US)

(**) Term: **14 Years**

(21) Appl. No.: **29/402,793**

(22) Filed: **Sep. 27, 2011**

(51) **LOC (9) Cl.** **26-05**

(52) **U.S. Cl.**
USPC **D26/74**

(58) **Field of Classification Search** D26/24,
D26/72, 80, 81, 83, 85, 88, 89, 91, 113, 118,
D26/123, 124, 138, 74, 76; 362/145, 146,
362/147, 148, 150, 153, 294, 296.01, 296.07,
362/296.08, 311.07, 311.09, 311.1, 345,
362/364, 365, 366, 373

See application file for complete search history.

(56) **References Cited**

U.S. PATENT DOCUMENTS

D551,379 S *	9/2007	Maxik	D26/74
D558,376 S *	12/2007	Posey et al.	D26/72
D596,330 S *	7/2009	Pickard et al.	D26/74
D610,291 S *	2/2010	Yoshinobu et al.	D26/74
D625,875 S *	10/2010	Chen et al.	D26/74
D632,821 S *	2/2011	Culbert	D26/74
D645,604 S *	9/2011	Kauffman et al.	D26/118
D646,428 S *	10/2011	Gordin et al.	D26/118
D648,479 S *	11/2011	Herman	D26/118

D667,586 S *	9/2012	Wilcox et al.	D26/85
2009/0290343 A1 *	11/2009	Brown et al.	362/235
2010/0315812 A1 *	12/2010	Liu	362/235
2012/0327638 A1 *	12/2012	Tajima et al.	362/147

* cited by examiner

Primary Examiner — Angela J Lee

(74) *Attorney, Agent, or Firm* — Marshall, Gerstein & Borun LLP; Randall G. Rueth

(57) **CLAIM**

The ornamental design for a lighting fixture, as shown and described.

DESCRIPTION

FIG. 1 is a perspective view of a lighting fixture that has the design.

FIG. 2 is a side elevation view.

FIG. 3 is a side elevation view with the lighting fixture rotated 90 degrees with respect to the position of the lighting fixture in the prior figure.

FIG. 4 is a side elevation view with the lighting fixture rotated 90 degrees with respect to the position of the lighting fixture in the prior figure.

FIG. 5 is a side elevation view with the lighting fixture rotated 90 degrees with respect to the position of the lighting fixture in the prior figure.

FIG. 6 is a top plan view.

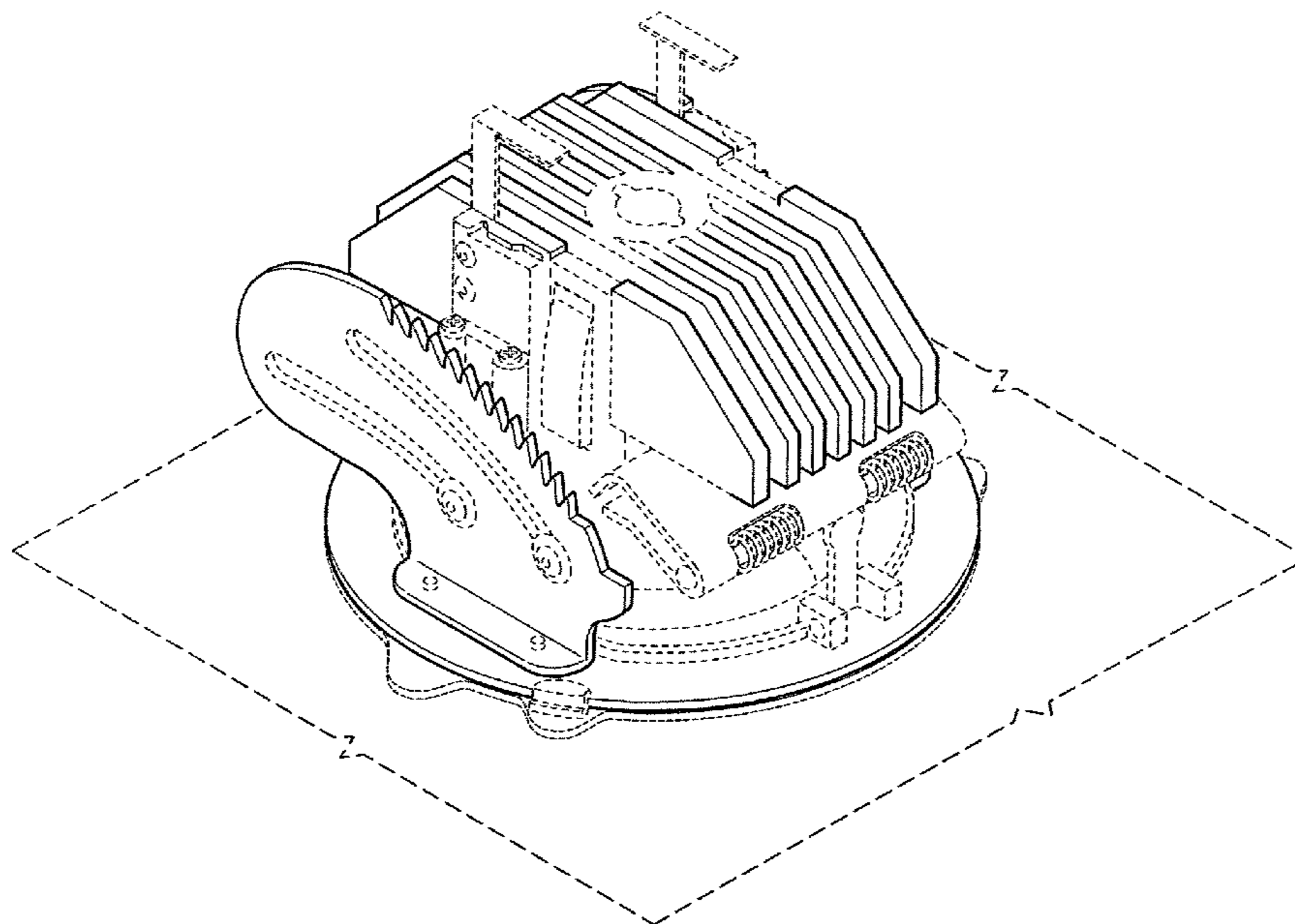
FIG. 7 is a bottom plan view.

FIG. 8 is a side elevation view of the lighting fixture with the lamp moved to an alternate (elevated) position; and,

FIG. 9 is a side elevation view of the lighting fixture with the lamp moved to an alternate (rotated) position.

The broken lines represent parts of the lighting fixture that form no part of the claimed design.

1 Claim, 9 Drawing Sheets



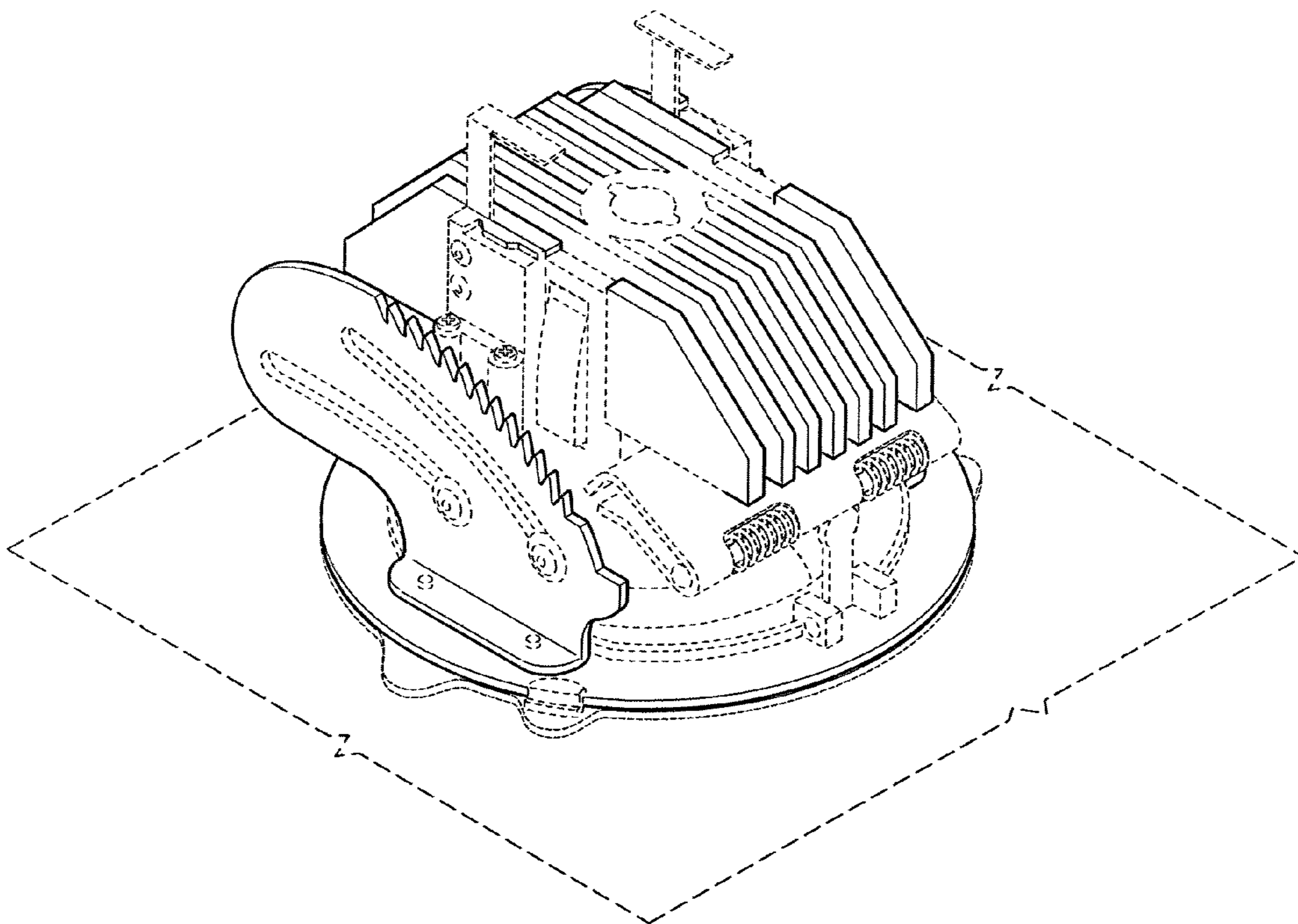


FIG. 1

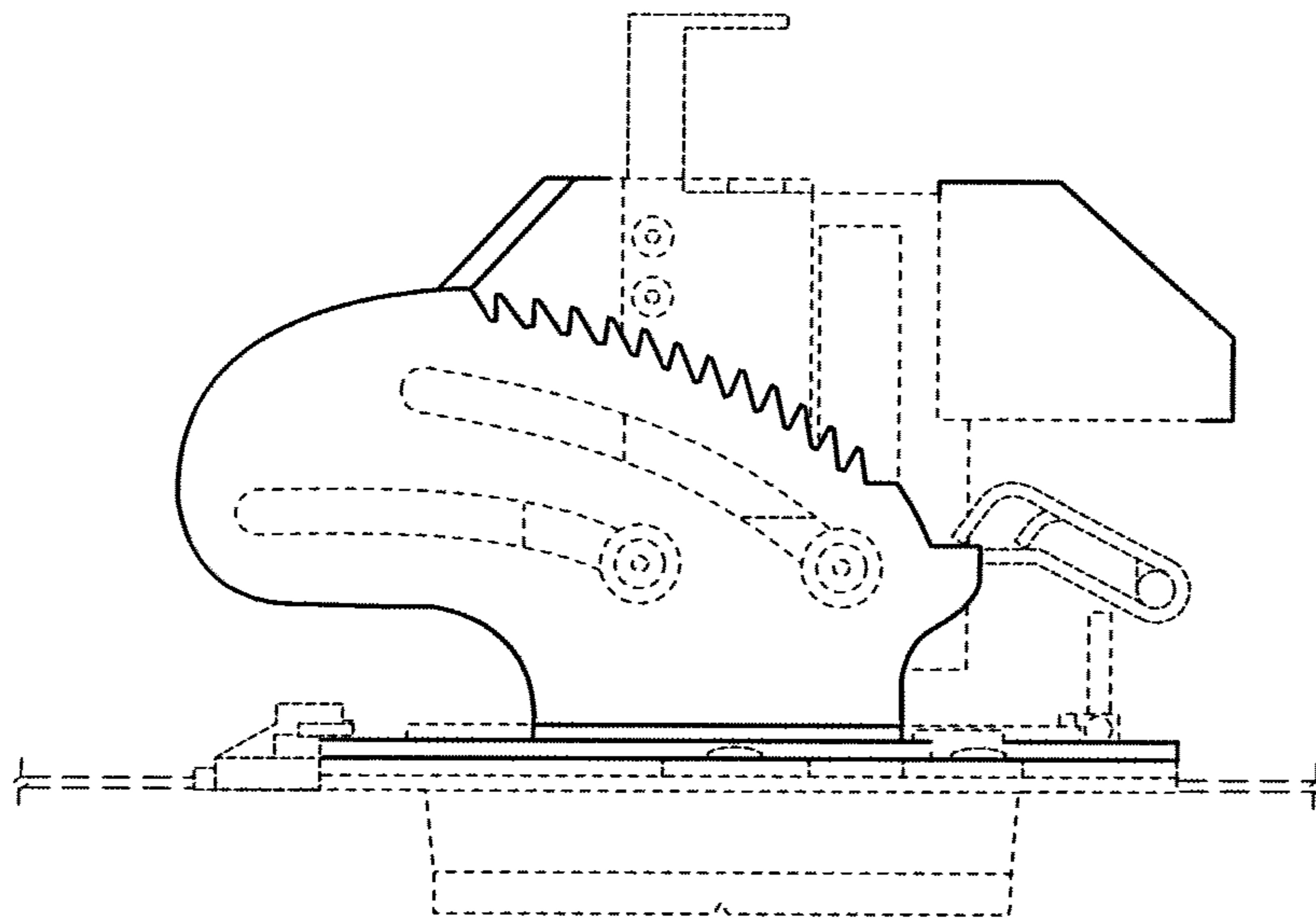


FIG. 2

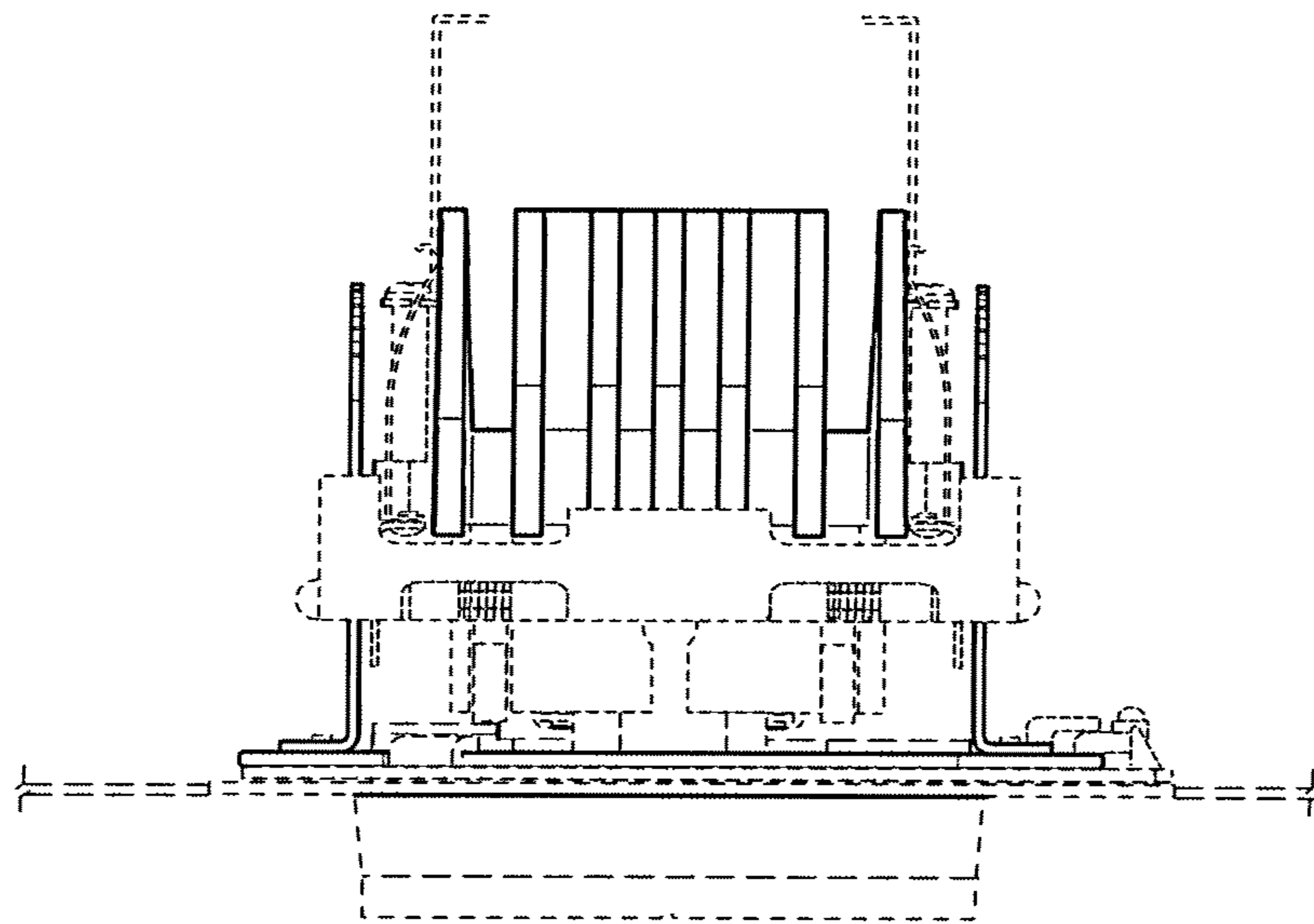


FIG. 3

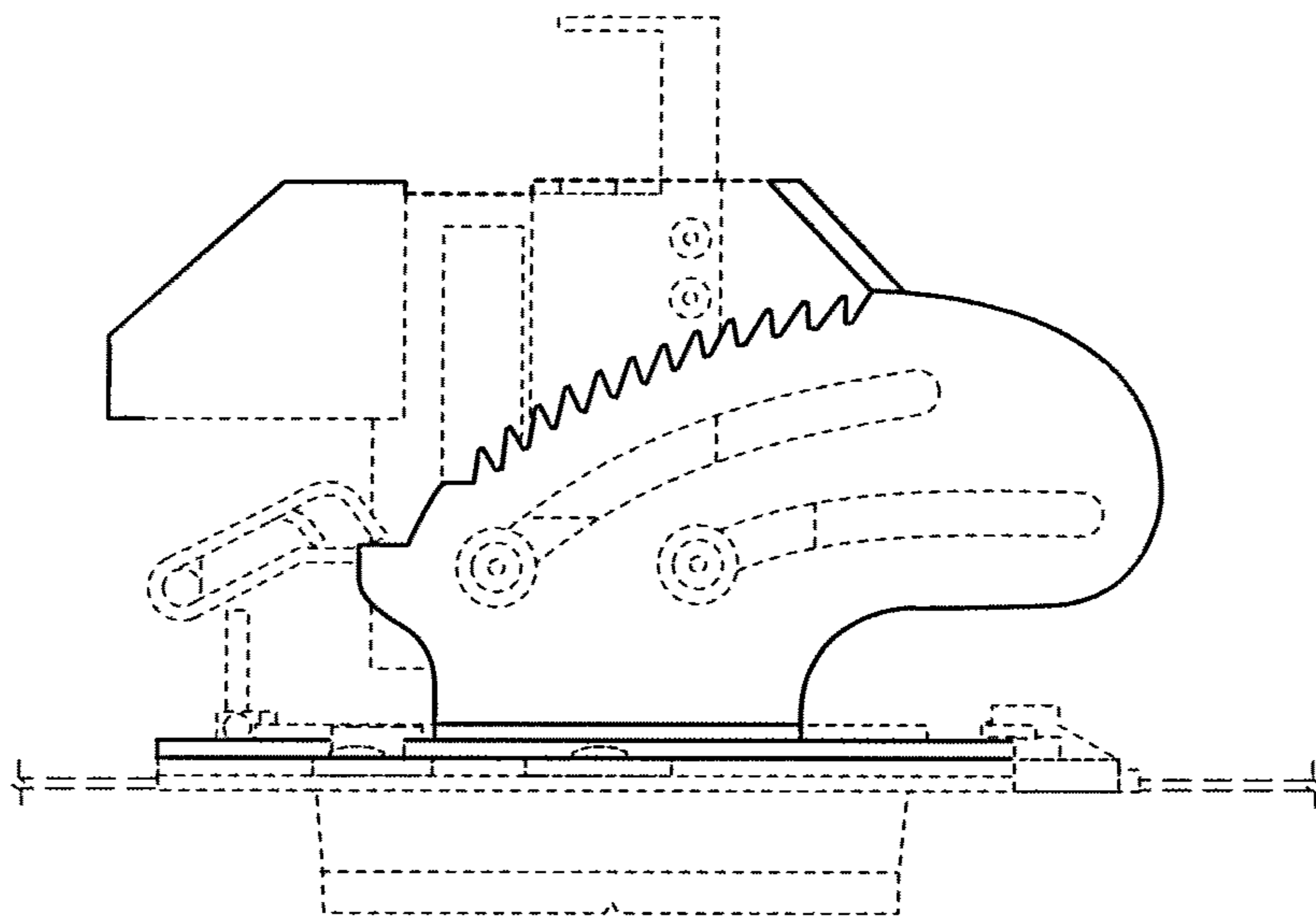


FIG. 4

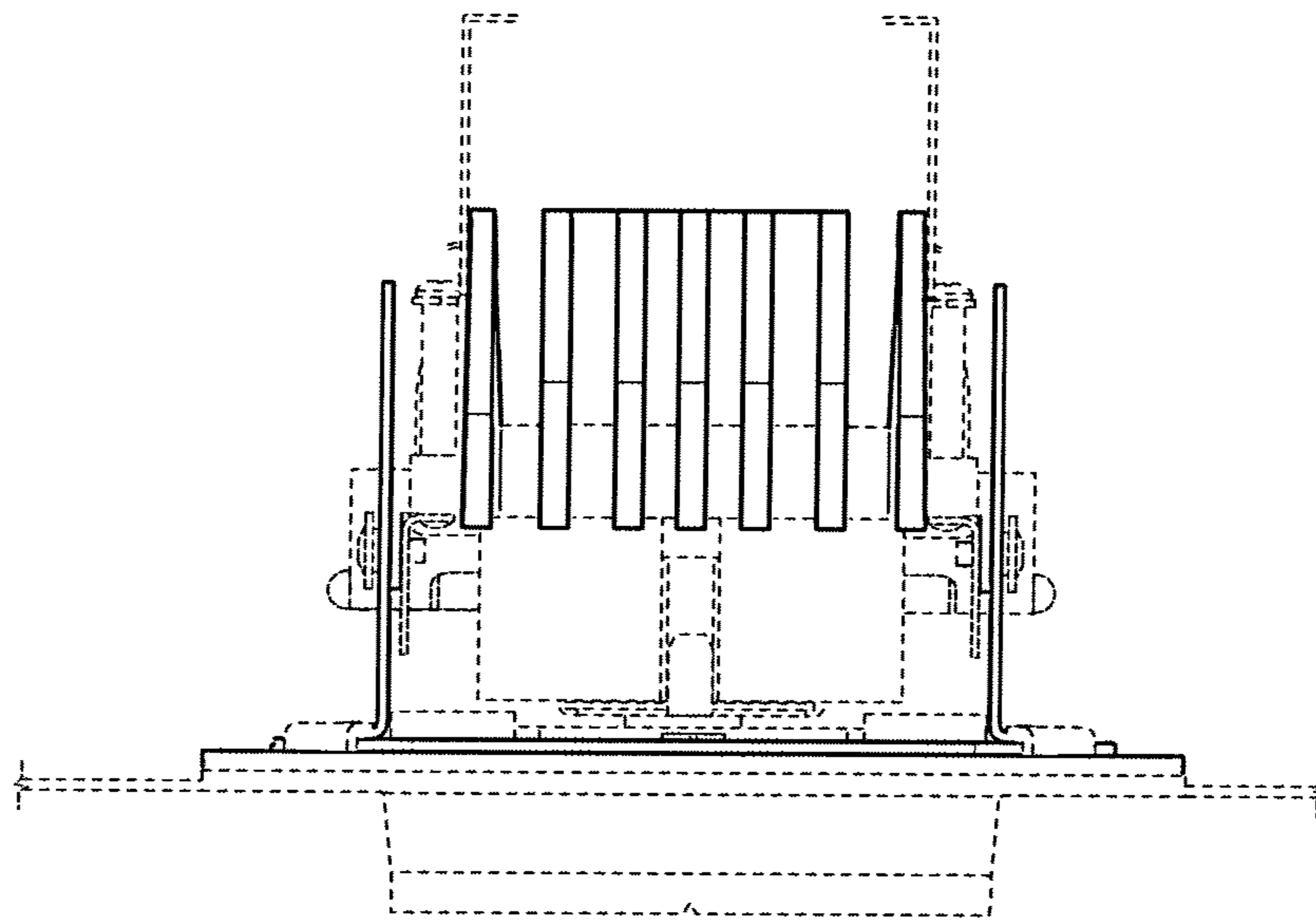


FIG. 5

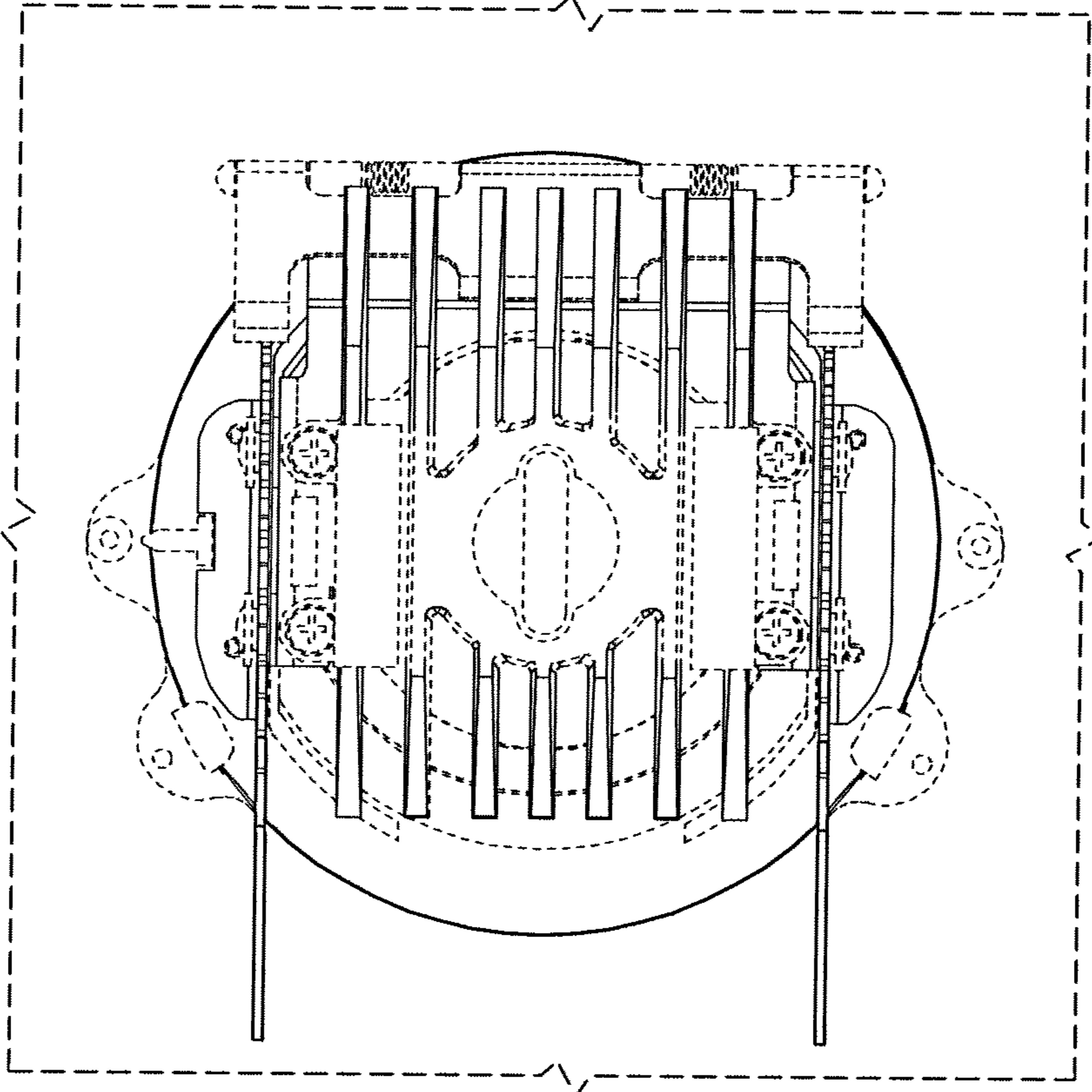


FIG. 6

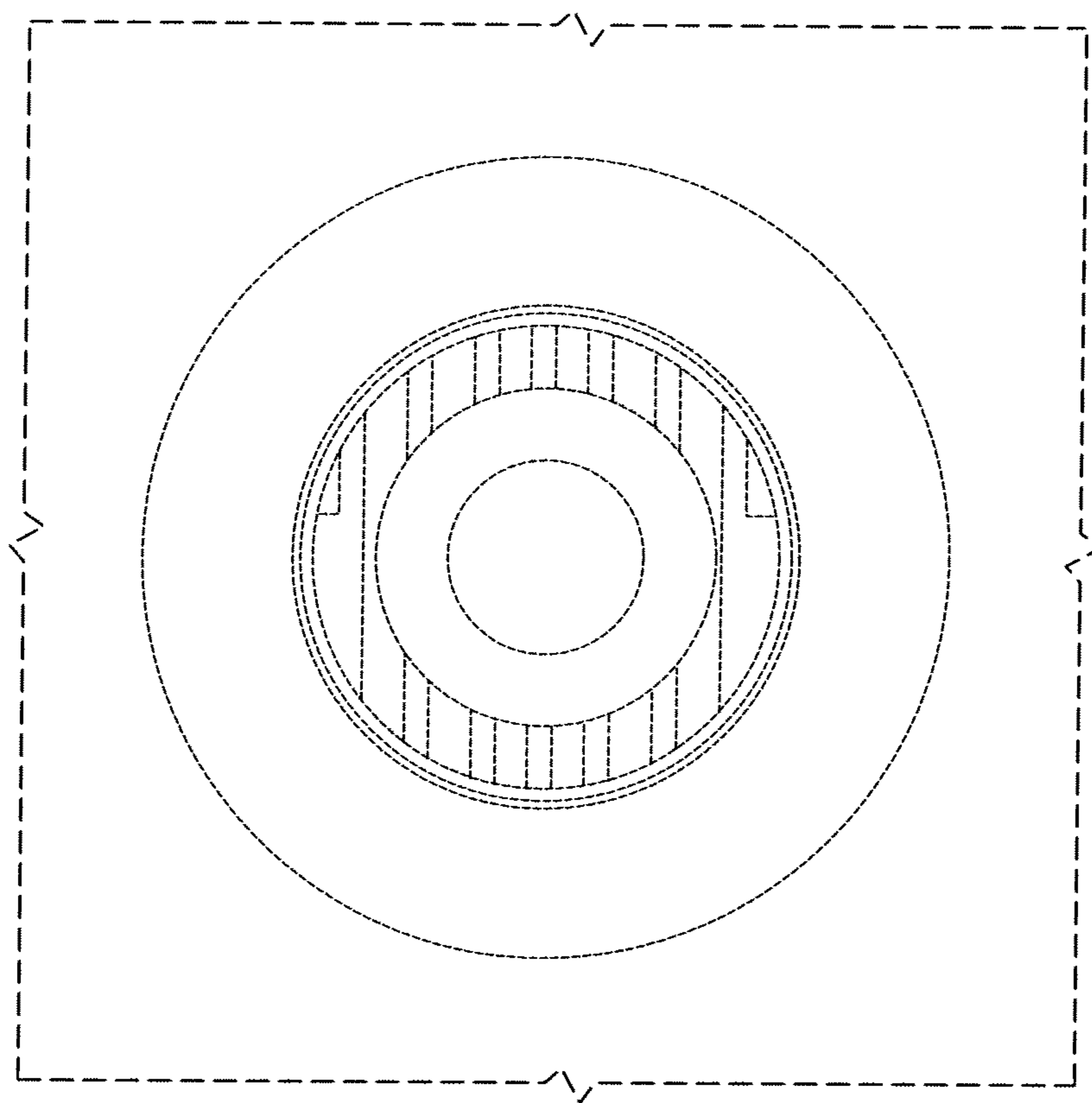


FIG. 7

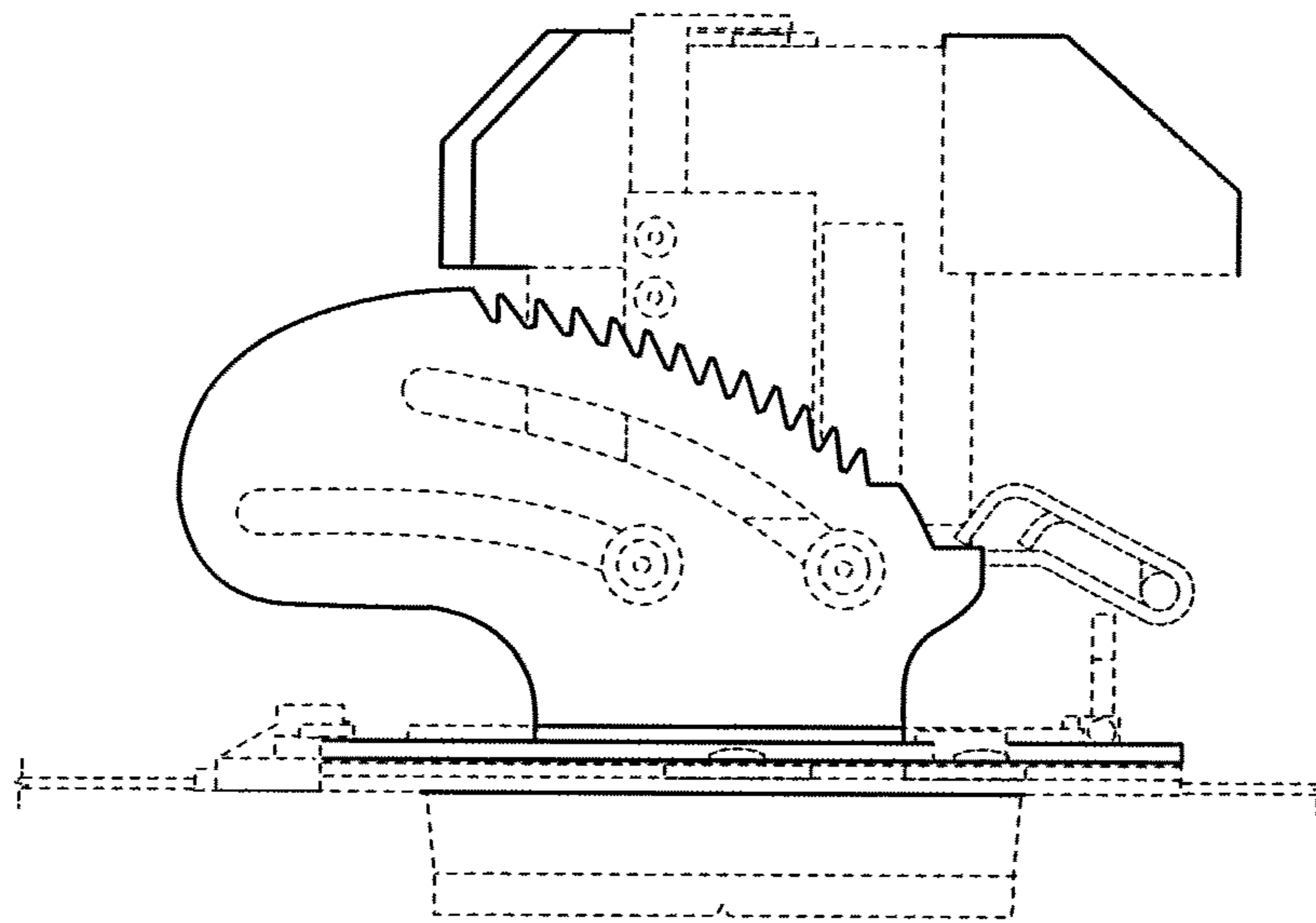


FIG. 8

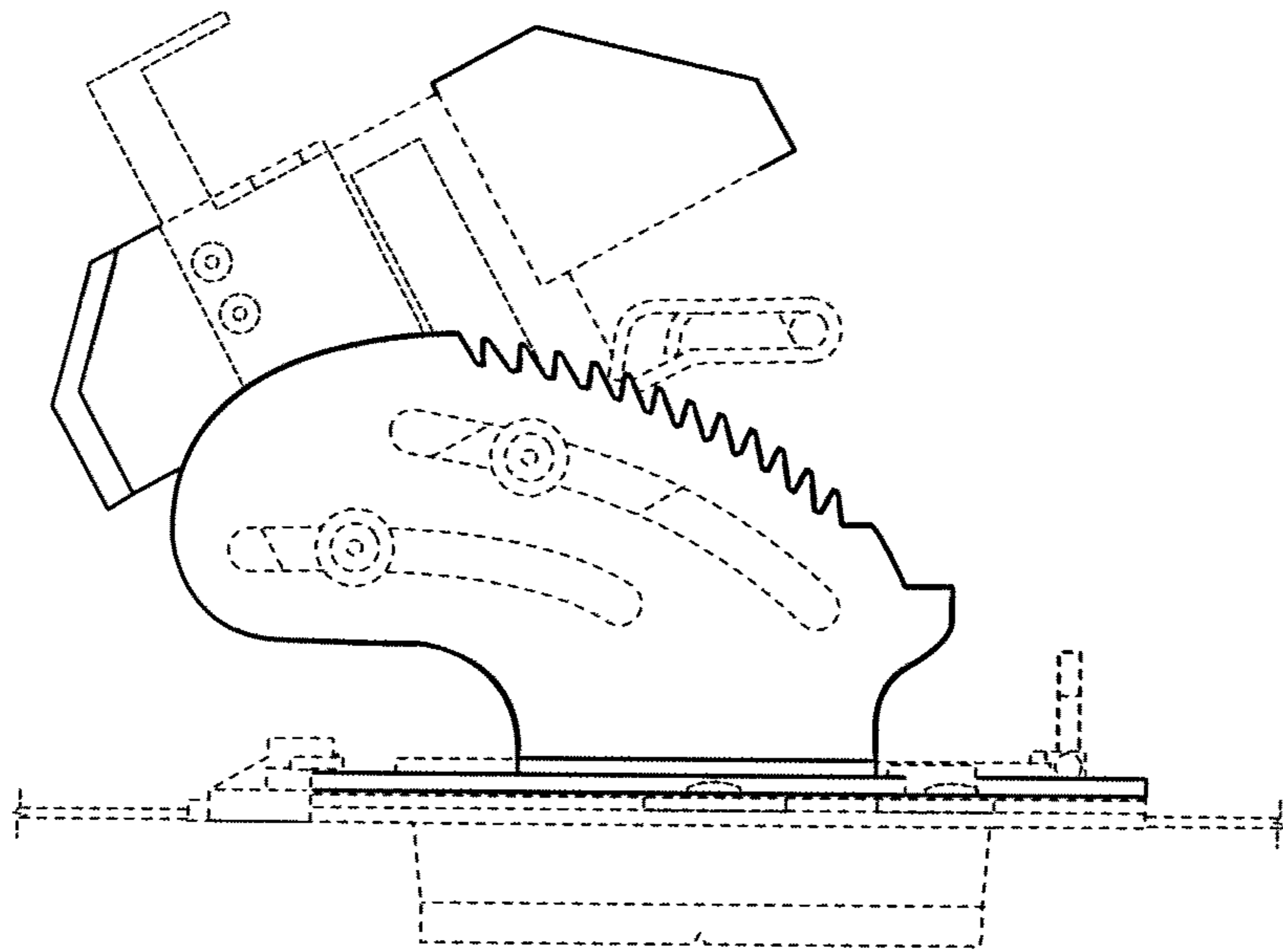


FIG. 9