



US00D682451S

(12) **United States Design Patent**
Hardy

(10) **Patent No.:** **US D682,451 S**

(45) **Date of Patent:** **** May 14, 2013**

(54) **SNAP-MOUNT SAFETY LIGHT**

(76) Inventor: **Scott Hardy**, New Haven, VT (US)

(**) Term: **14 Years**

(21) Appl. No.: **29/410,693**

(22) Filed: **Jan. 11, 2012**

(51) **LOC (9) Cl.** **26-05**

(52) **U.S. Cl.**
USPC **D26/60**

(58) **Field of Classification Search** D26/34,
D26/37, 60, 72; D10/111, 114.1, 114.2,
D10/114.9; 362/147, 200, 473–476, 640
See application file for complete search history.

(56) **References Cited**

U.S. PATENT DOCUMENTS

D222,500 S *	10/1971	Gugelot	D26/37
D332,838 S *	1/1993	Lu	D26/34
D455,854 S *	4/2002	Smith	D26/37
D544,388 S *	6/2007	Chisholm	D10/114.2
D561,921 S *	2/2008	Aleksjew	D26/37
D561,925 S *	2/2008	Levine	D26/72

D578,686 S *	10/2008	Dalton	D26/37
D581,081 S *	11/2008	Mier-Langner	D26/72
D620,164 S *	7/2010	Chen	D26/60
D621,081 S *	8/2010	Abernethy et al.	D26/60
7,857,478 B1 *	12/2010	Keller	362/200
D654,387 S *	2/2012	Wilson et al.	D10/114.2
2006/0171145 A1 *	8/2006	Ford et al.	362/200

* cited by examiner

Primary Examiner — Clare E Heflin

(74) *Attorney, Agent, or Firm* — Green Mountain Innovations; Alan Coté

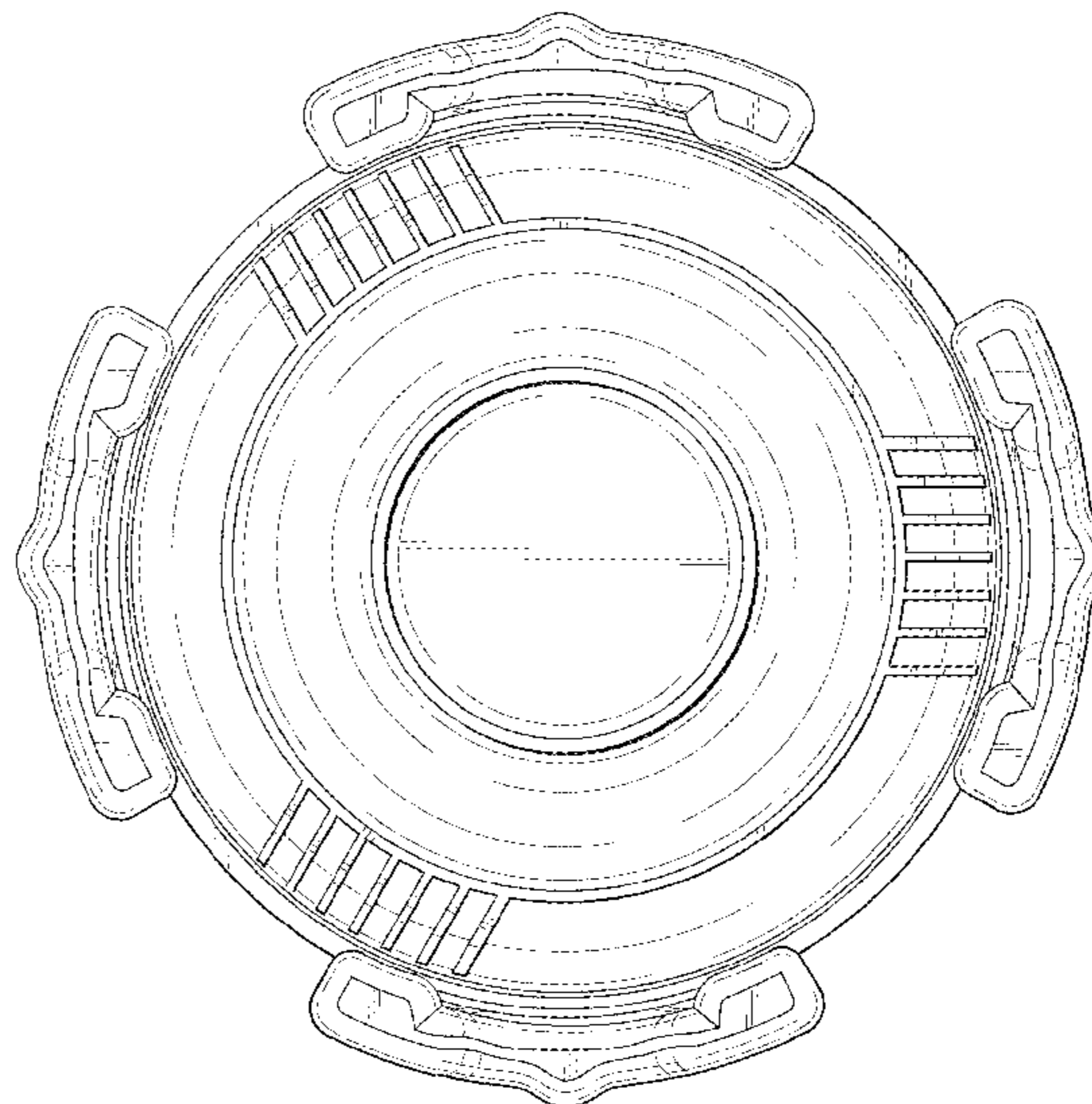
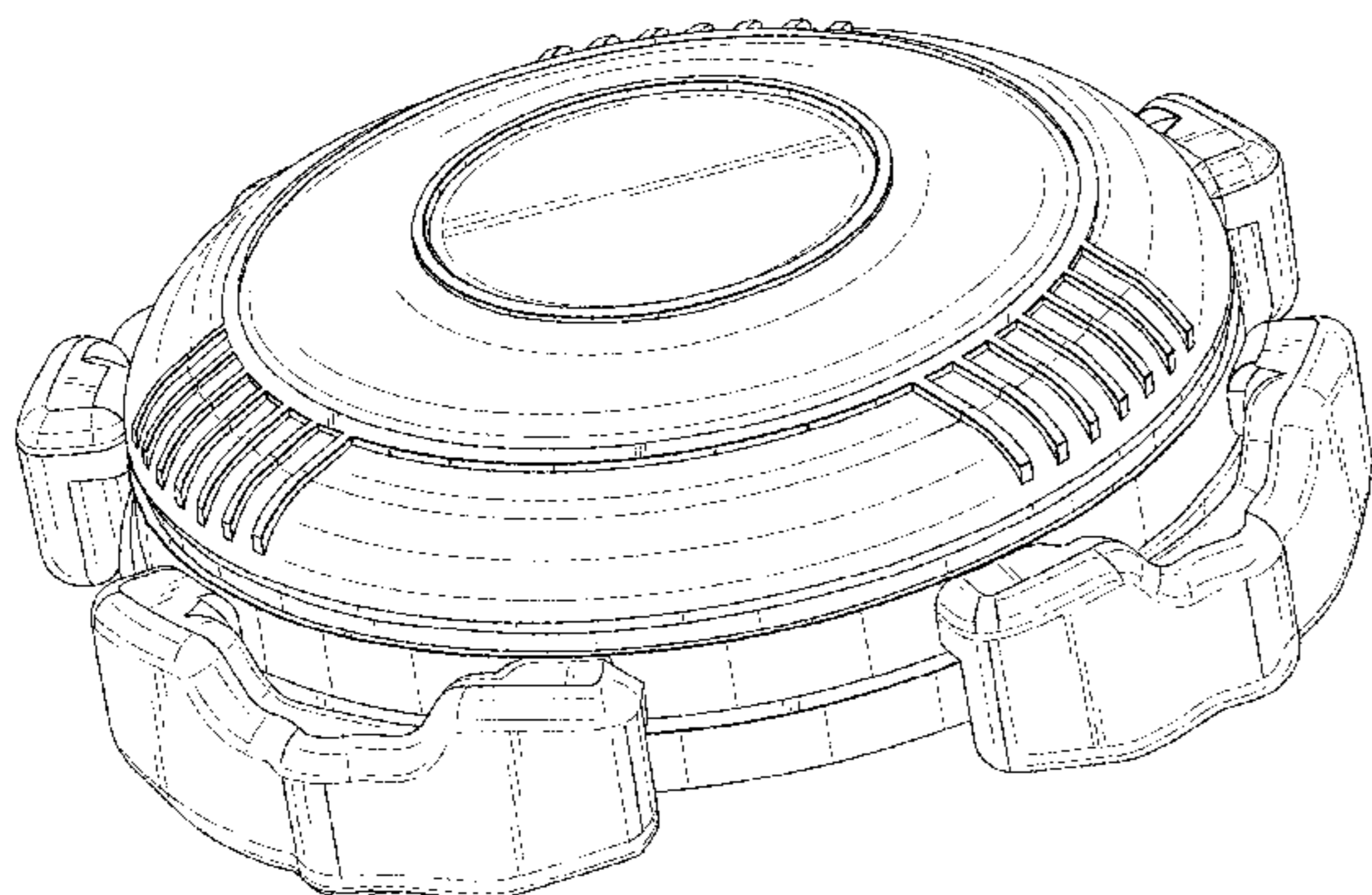
(57) **CLAIM**

I claim the ornamental design for a snap-mount safety light, as shown.

DESCRIPTION

FIG. 1 is a top perspective view of the invention
FIG. 2 is a top view of the invention
FIG. 3 is a front view of the invention
FIG. 4 is a right side view of the invention
FIG. 5 is a left side view of the invention
FIG. 6 is a bottom view of the invention; and,
FIG. 7 is an exploded side view of the invention.

1 Claim, 4 Drawing Sheets



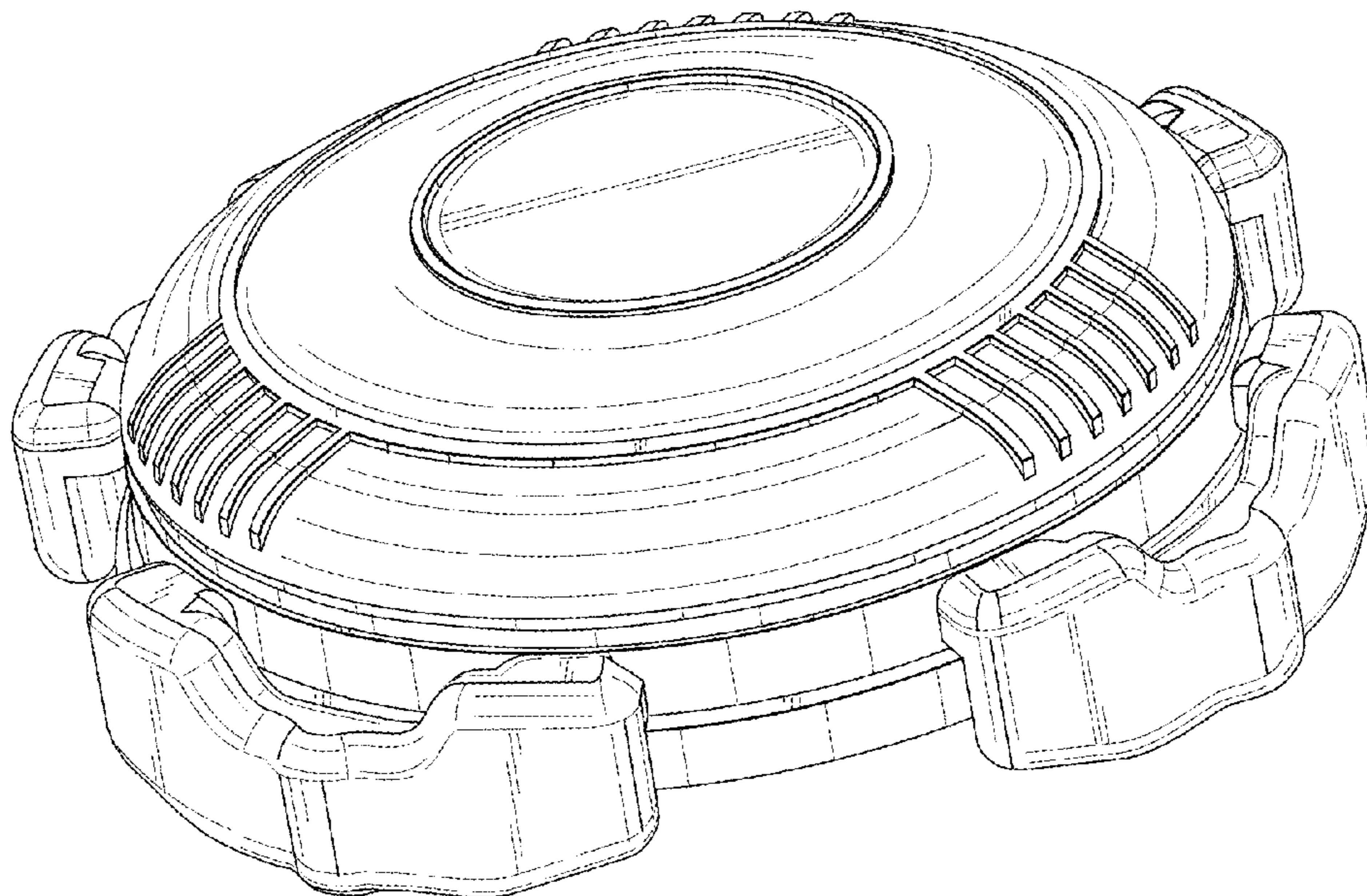


FIG. 1

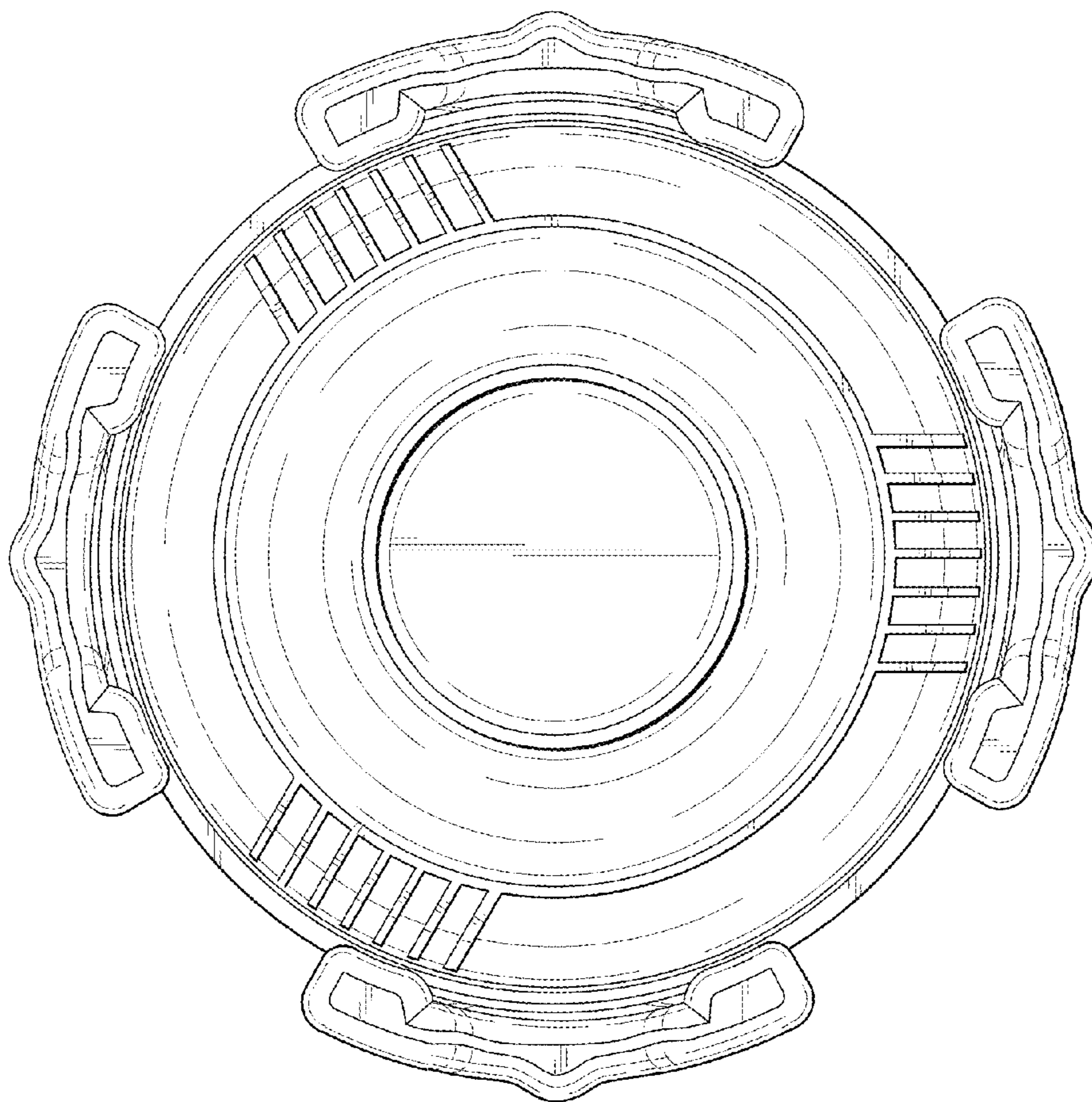


FIG. 2

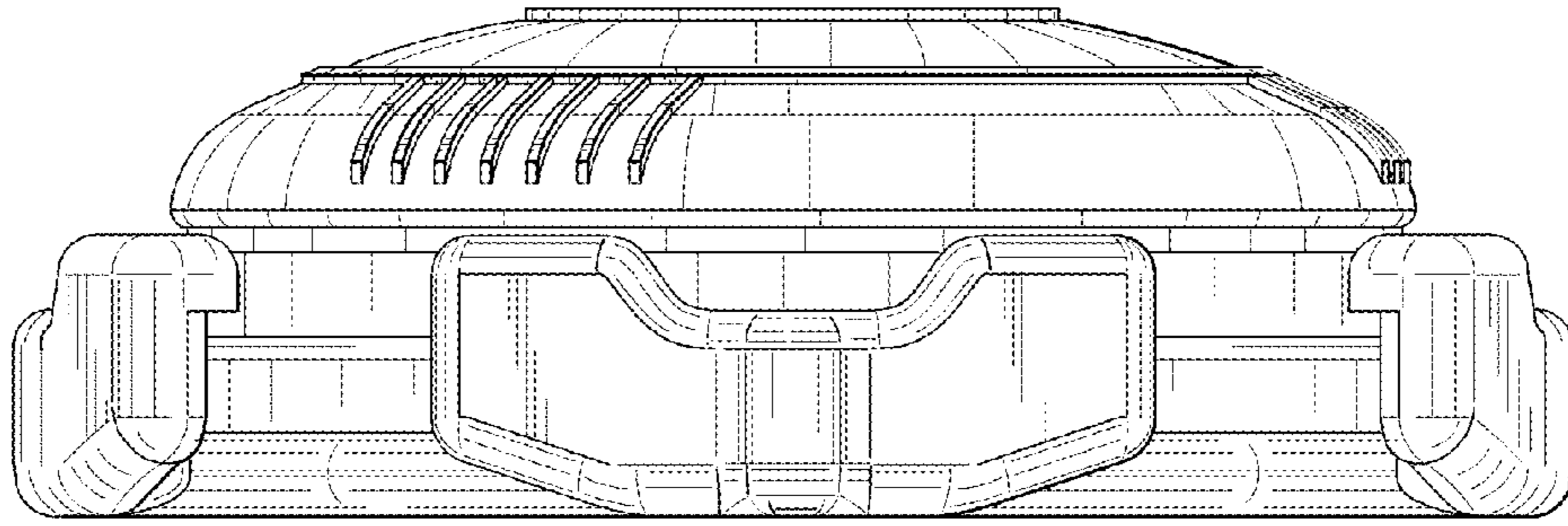


FIG. 3

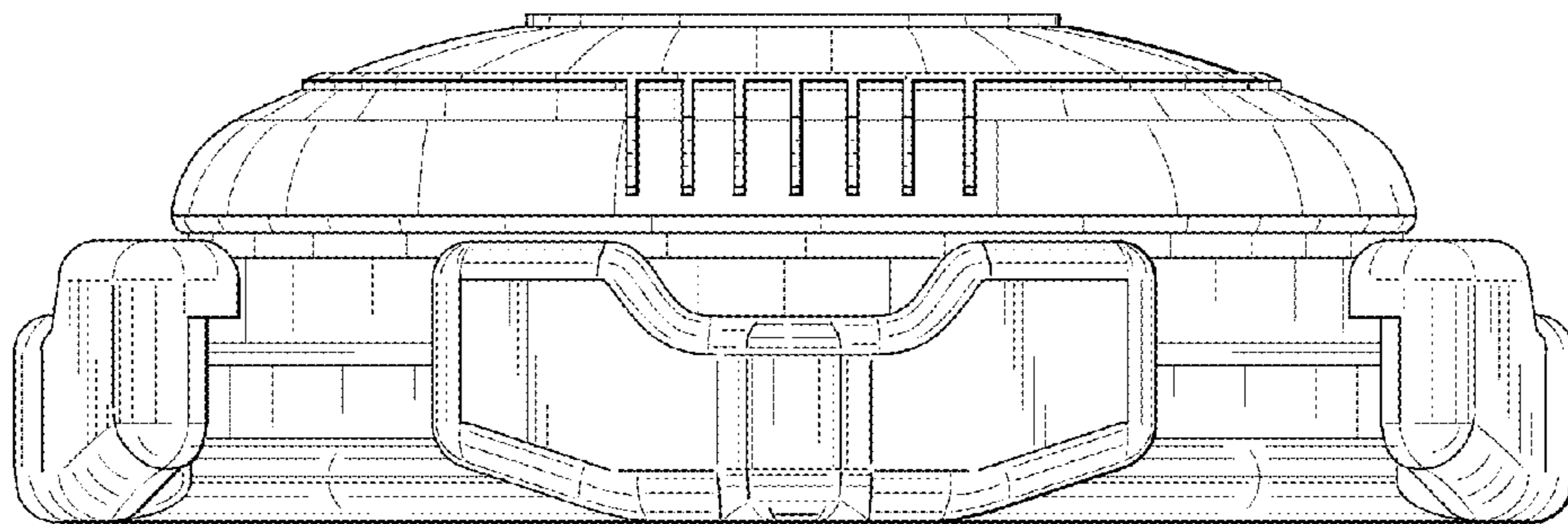


FIG. 4

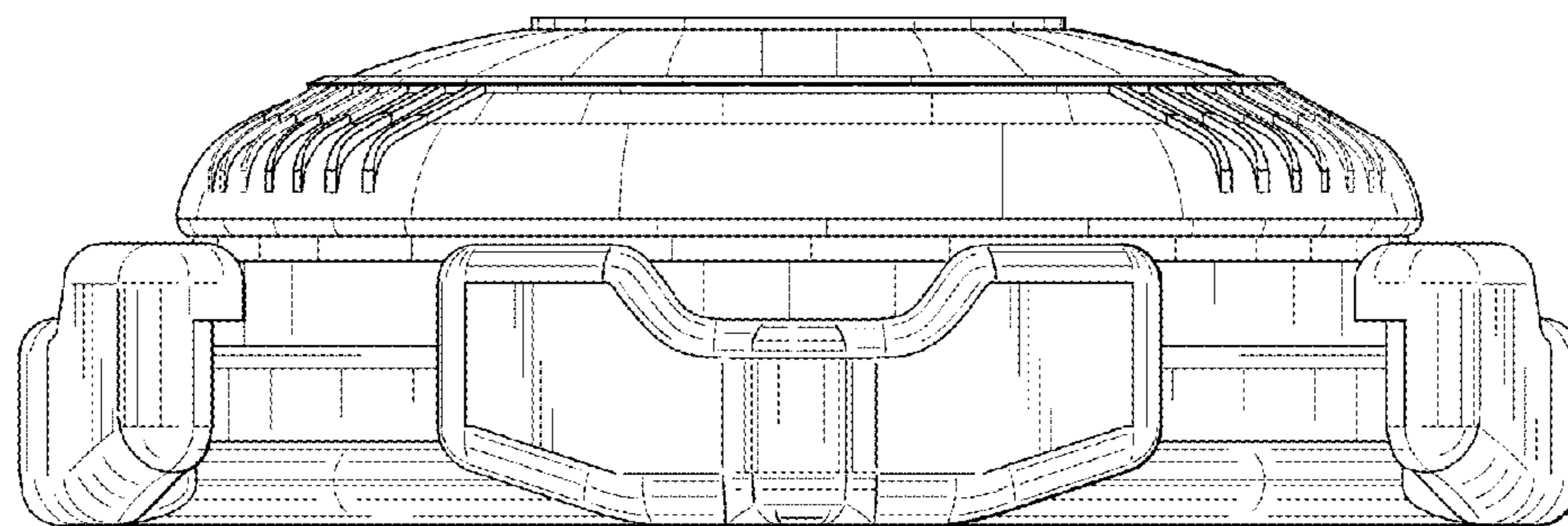


FIG. 5

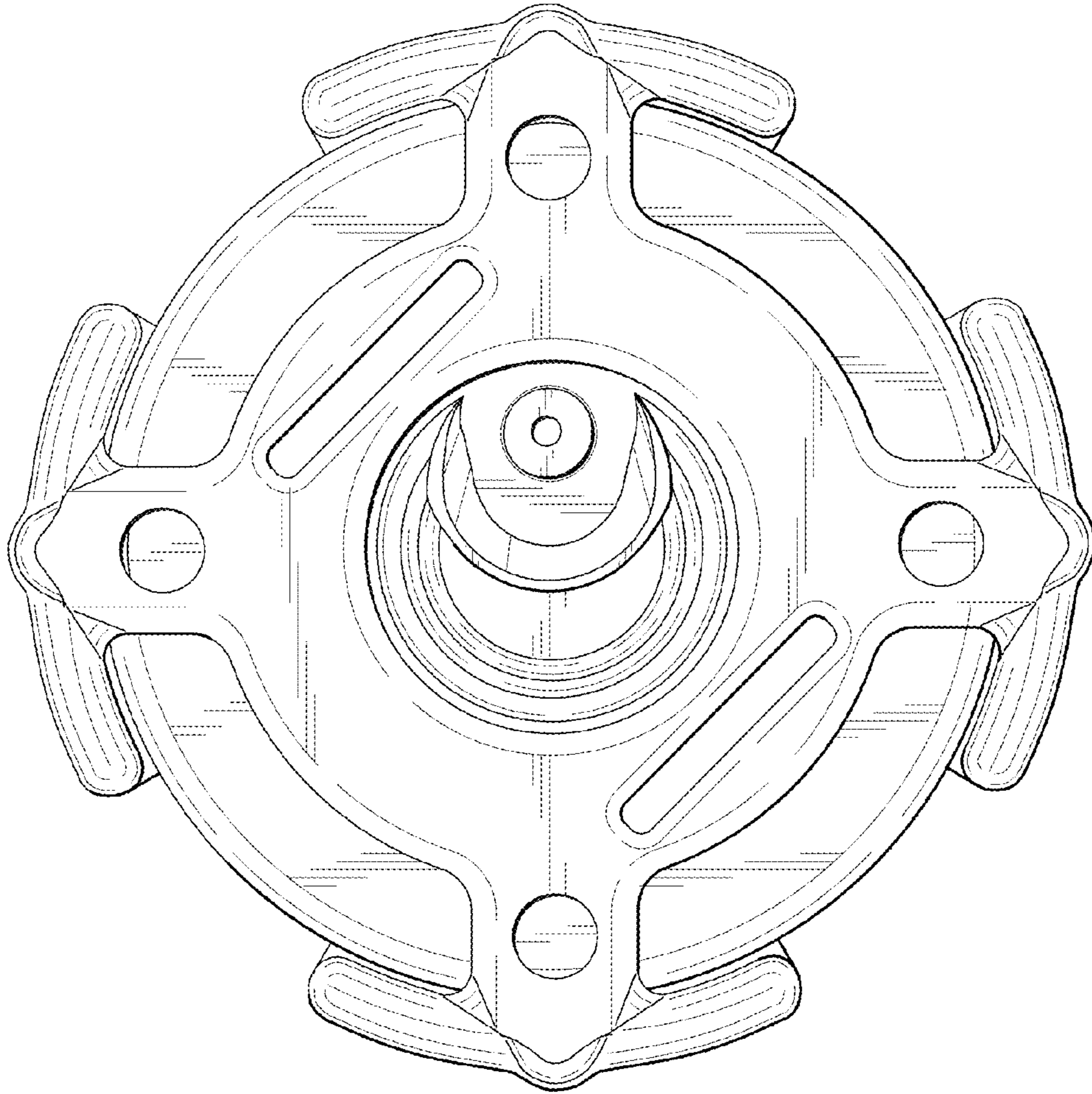


FIG. 6

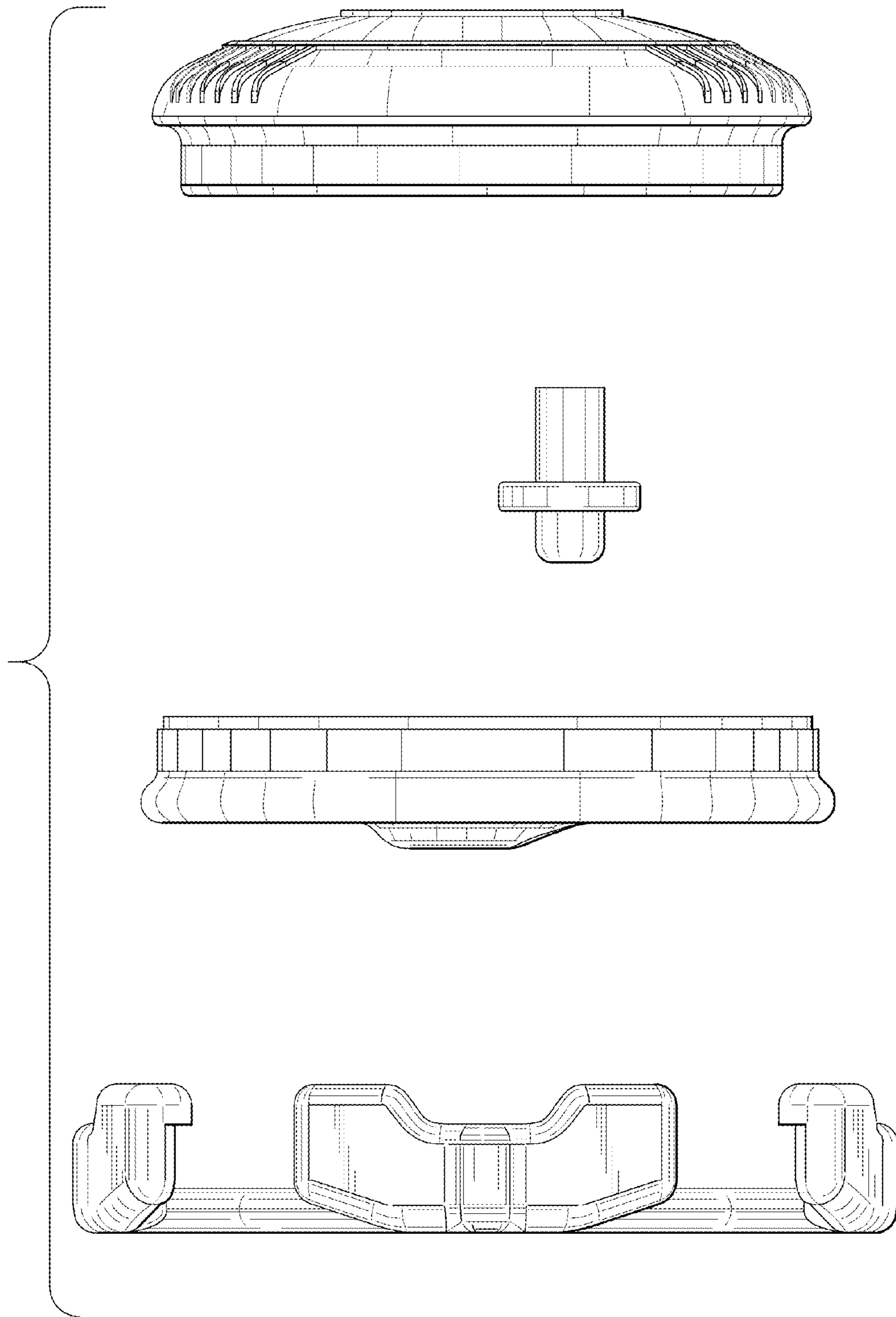


FIG. 7