



US00D682450S

(12) **United States Design Patent**
Chang

(10) **Patent No.:** **US D682,450 S**

(45) **Date of Patent:** **** May 14, 2013**

(54) **HEAD-MOUNTABLE LED ILLUMINATOR**

(75) Inventor: **Byung J. Chang**, Ann Arbor, MI (US)

(73) Assignee: **General Scientific Corporation**, Ann Arbor, MI (US)

(**) Term: **14 Years**

(21) Appl. No.: **29/412,849**

(22) Filed: **Feb. 8, 2012**

(51) **LOC (9) Cl.** **26-02**

(52) **U.S. Cl.**
USPC **D26/39**

(58) **Field of Classification Search** D26/37,
D26/38, 39, 46, 49, 60; 362/157, 158, 184,
362/194-208

See application file for complete search history.

D482,811	S	*	11/2003	Petzl	D26/39
RE39,162	E		7/2006	Caplan et al.		
D574,528	S	*	8/2008	Witte	D26/49
7,465,078	B2		12/2008	Chang		
D601,975	S		10/2009	Chang		
D602,185	S		10/2009	Chang		
D635,286	S	*	3/2011	Schussler	D26/39
D636,104	S		4/2011	Chang		
D648,882	S	*	11/2011	Halm	D26/51
8,047,684	B2		11/2011	Chang		
D650,106	S	*	12/2011	Schussler	D26/44
2010/0290115	A1		11/2010	Chang		
2011/0013277	A1		1/2011	Cummings et al.		
2011/0026258	A1		2/2011	Chang		
2011/0122598	A1		5/2011	Chang		

* cited by examiner

Primary Examiner — Ian Simmons

Assistant Examiner — Carissa C Fitts

(74) *Attorney, Agent, or Firm* — Gifford, Krass, Sprinkle,
Anderson & Citkowski, P.C.

(56) **References Cited**

U.S. PATENT DOCUMENTS

3,285,242	A	11/1966	Wallace		
3,666,180	A	5/1972	Coombs et al.		
D266,192	S	*	9/1982	Feinbloom et al. D26/39
4,364,103	A	*	12/1982	Harshbarger 362/200
D270,482	S	*	9/1983	Jones D26/37
D351,480	S	*	10/1994	Bamber et al. D26/39
D353,012	S	*	11/1994	Mihavetz D26/39
5,430,620	A	7/1995	Li et al.		
5,440,462	A	8/1995	Kim et al.		
D373,433	S	*	9/1996	Feinbloom D26/39
D383,229	S	*	9/1997	Kiichiro D26/39
D399,580	S	*	10/1998	Feinbloom D26/39
D405,901	S	*	2/1999	Feinbloom et al. D26/39
6,039,104	A	3/2000	Cunningham et al.		

(57) **CLAIM**

The ornamental design for a head-mountable LED illuminator, as shown and described.

DESCRIPTION

FIG. 1 is an oblique view of the present invention;
FIG. 2 is a front view of the present invention;
FIG. 3 is a side view of the present invention;
FIG. 4 is a back view of the present invention; and,
FIG. 5 is a top view of the present invention.
The broken line showing is for environmental purposes only
and forms no part of the claimed design.

1 Claim, 2 Drawing Sheets

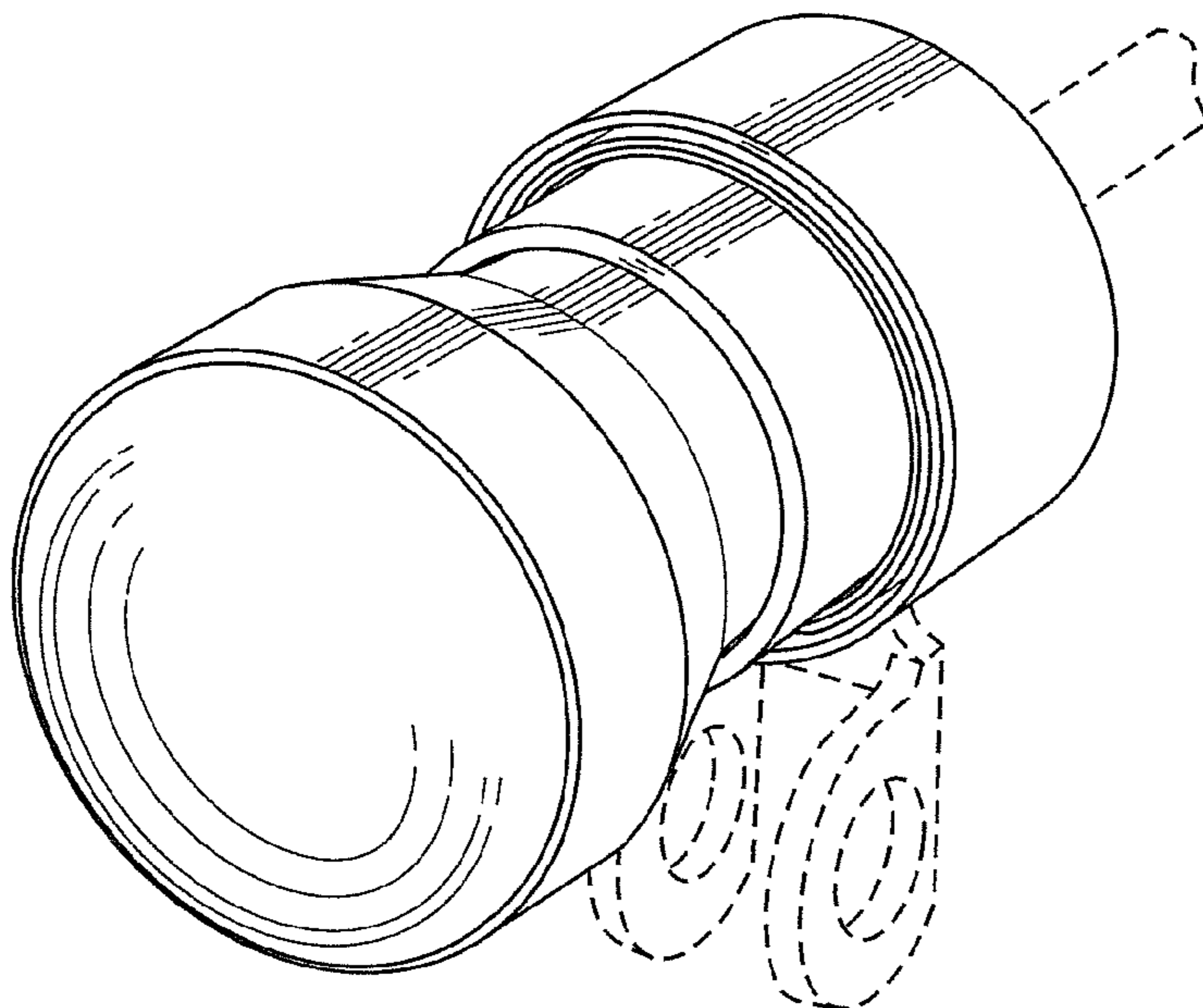


Fig - 1

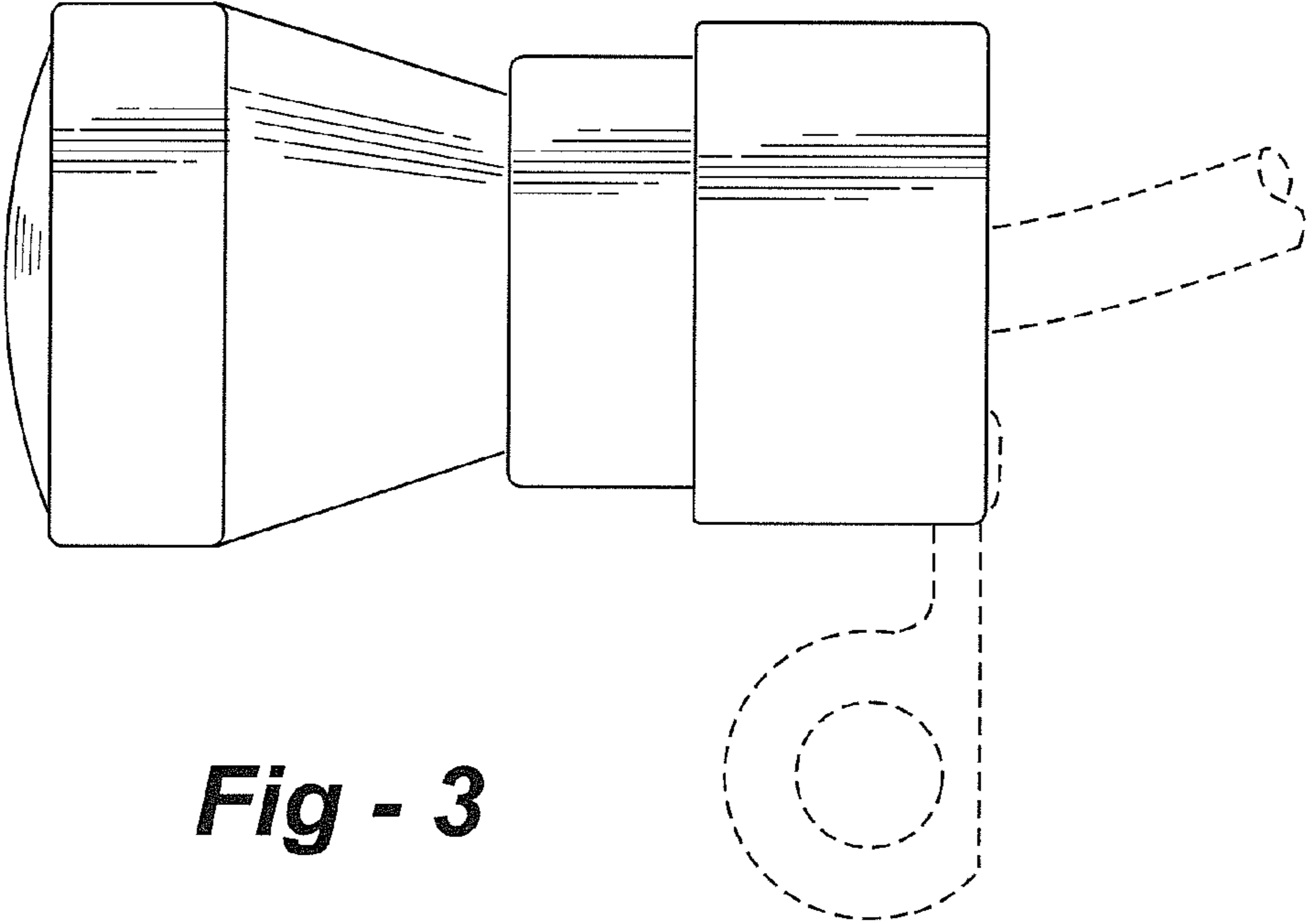
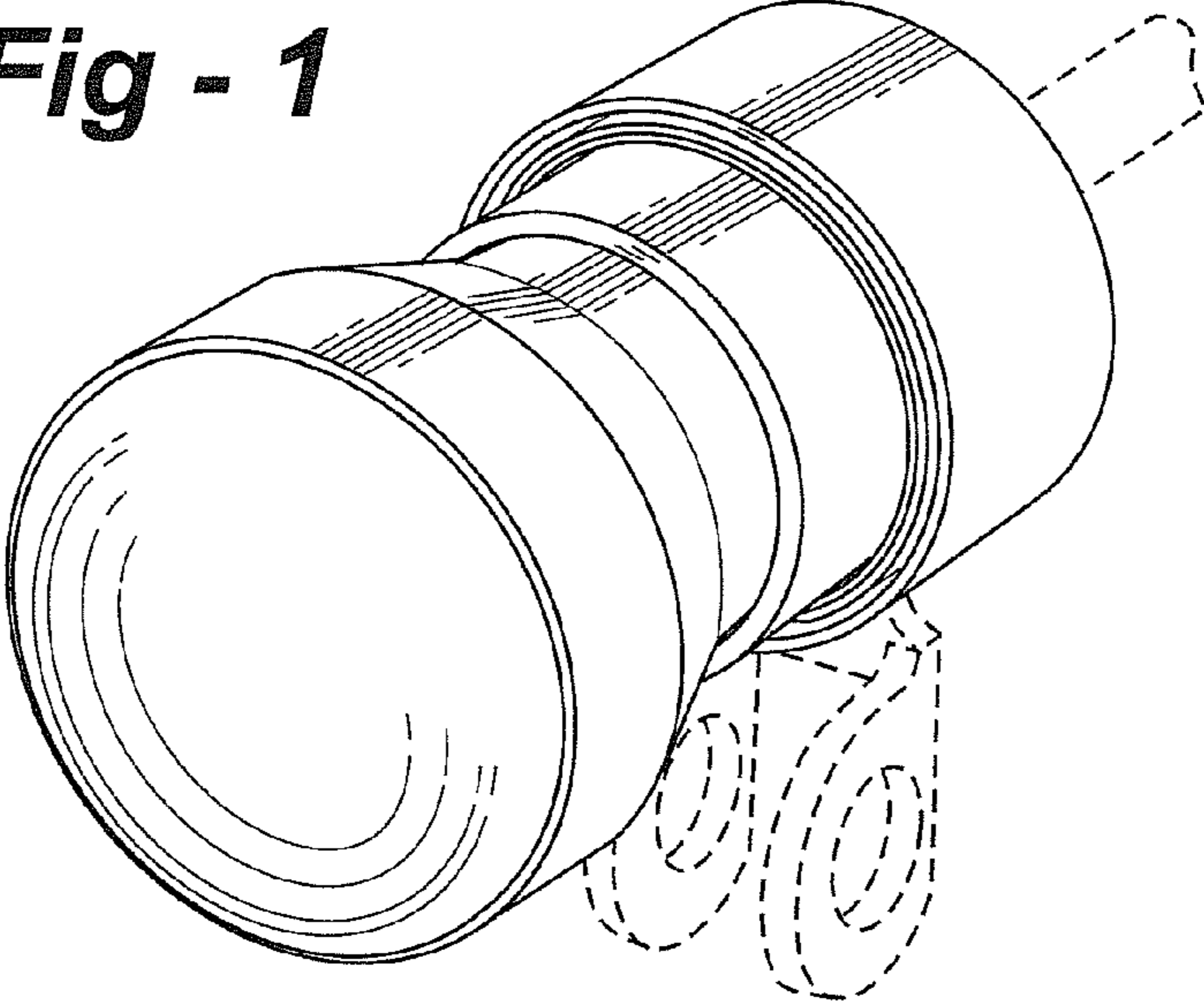


Fig - 3

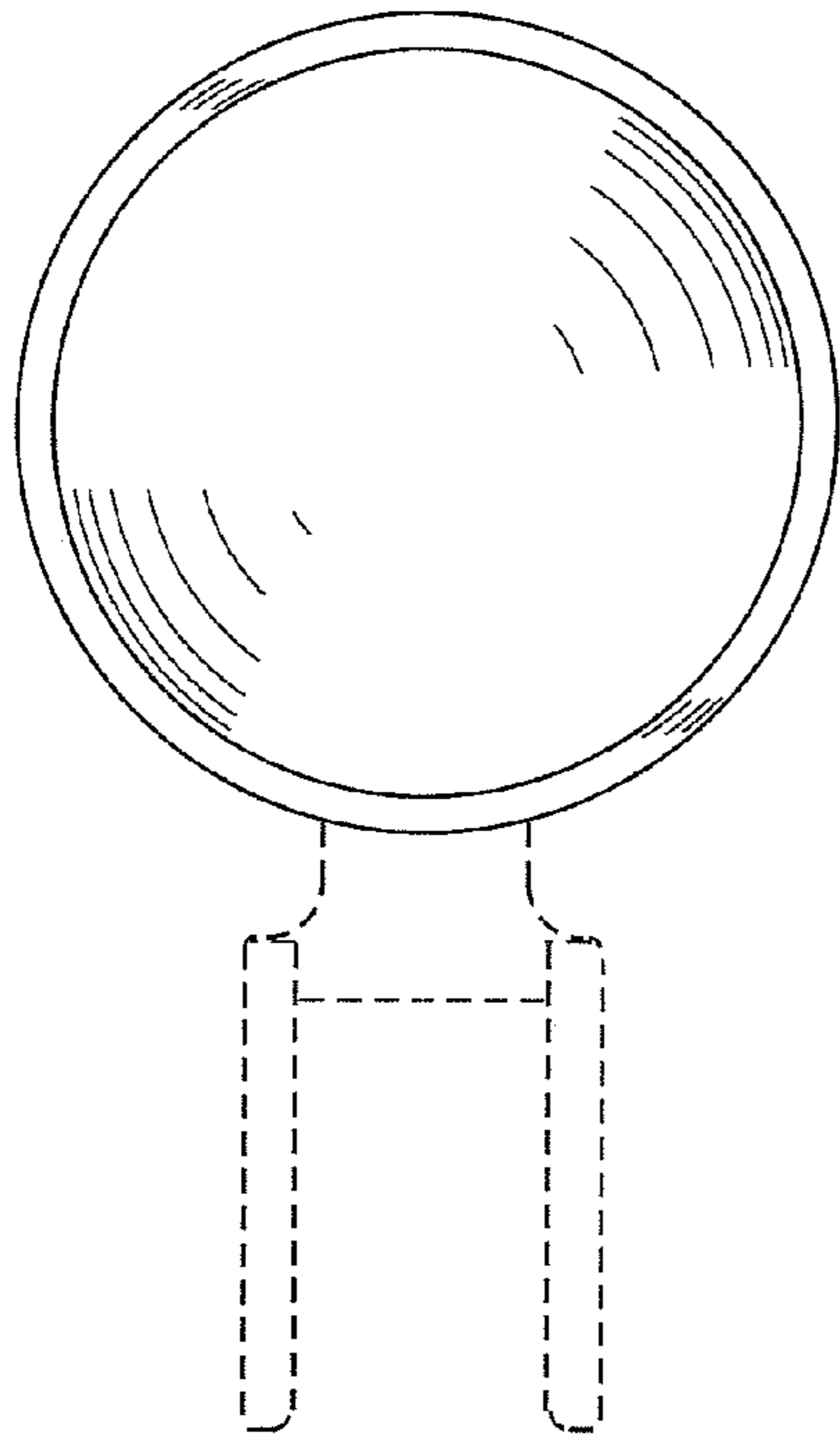


Fig - 2

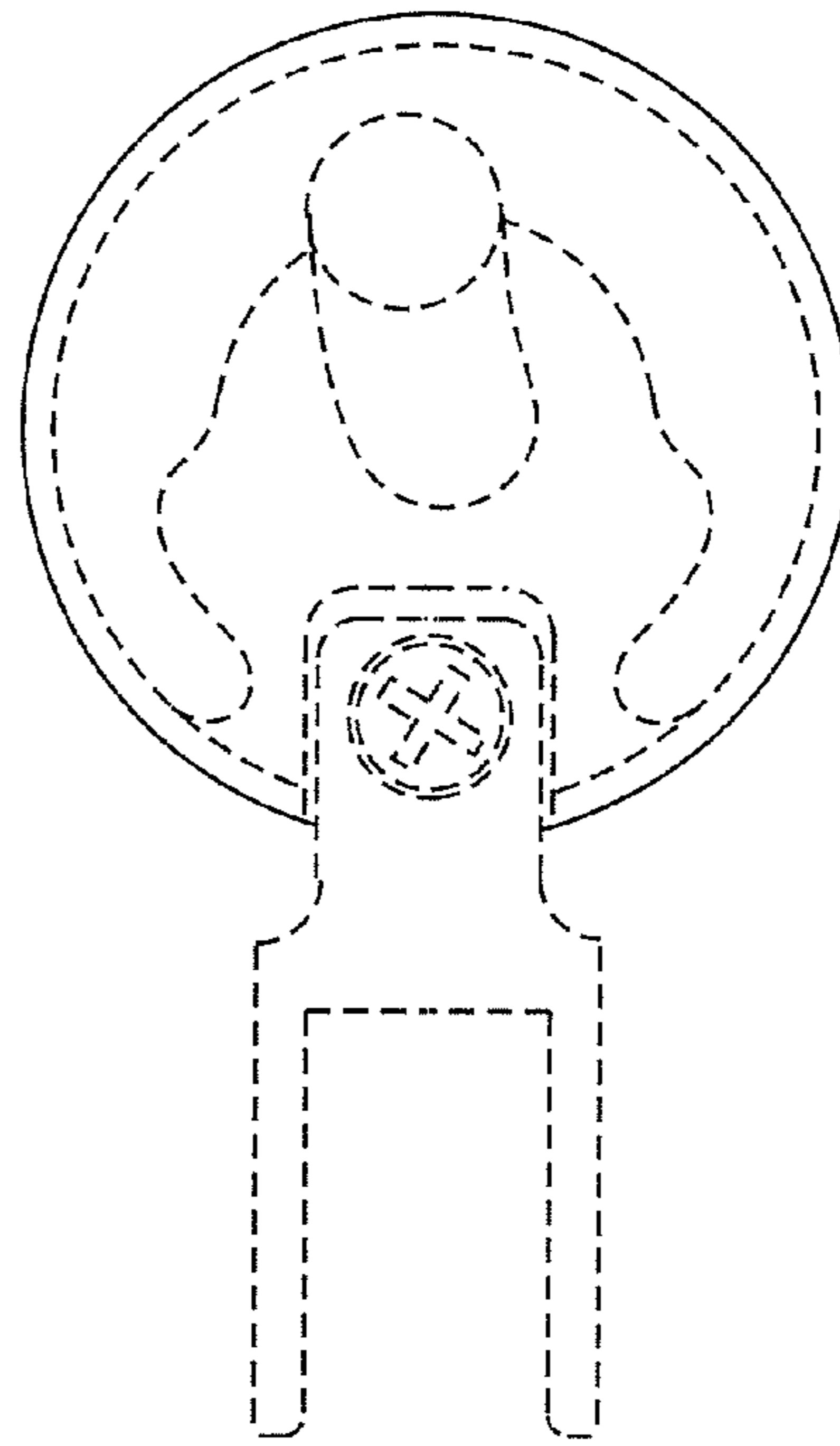


Fig - 4

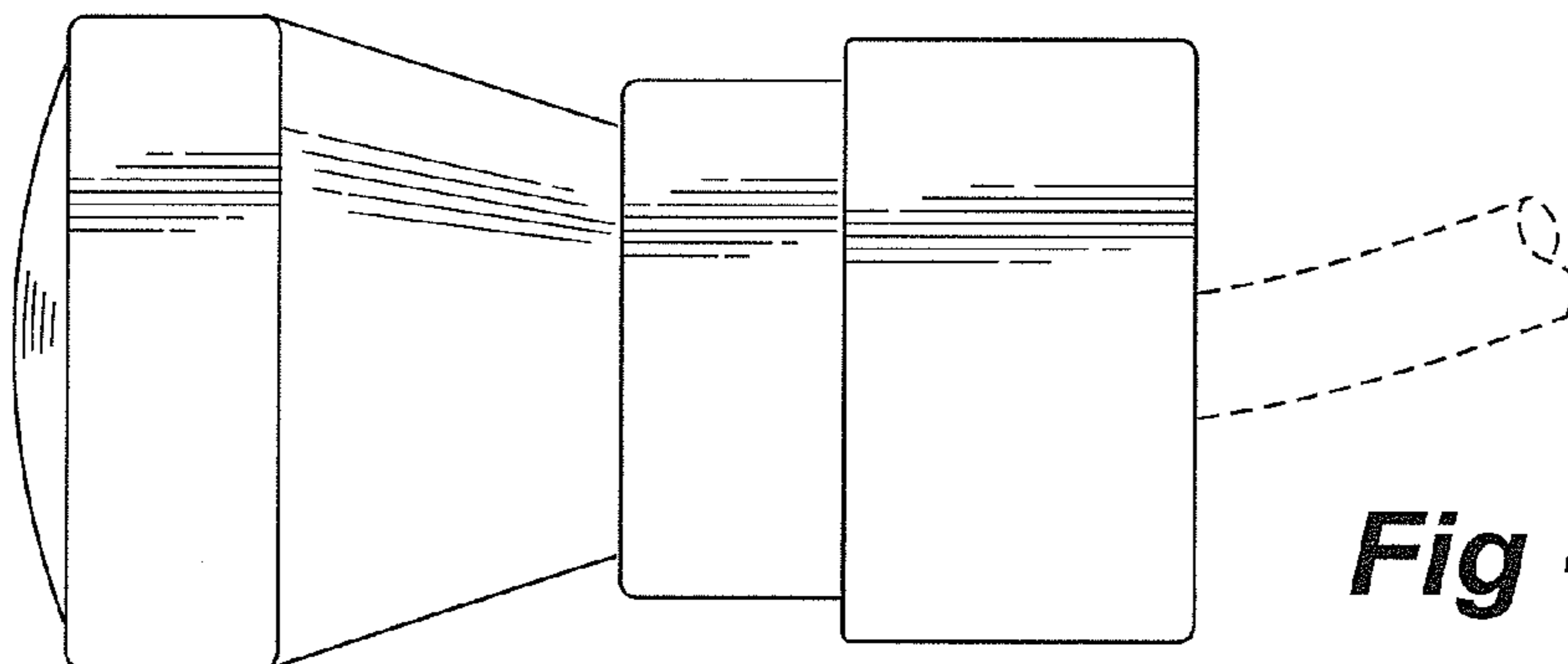


Fig - 5