



US00D682449S

(12) **United States Design Patent**  
**Scazziga**

(10) **Patent No.:** **US D682,449 S**

(45) **Date of Patent:** **\*\* May 14, 2013**

(54) **LIGHT**

(75) **Inventor:** **Lorenzo Scazziga, Sheung Wan (HK)**

(73) **Assignee:** **Traxon Technologies, Ltd., Shatin (HK)**

(\*\*) **Term:** **14 Years**

(21) **Appl. No.:** **29/392,535**

(22) **Filed:** **May 23, 2011**

(30) **Foreign Application Priority Data**

Nov. 23, 2010 (EM) ..... 001784885

(51) **LOC (9) Cl.** ..... **26-02**

(52) **U.S. Cl.**  
USPC ..... **D26/37**

(58) **Field of Classification Search** ..... D26/37,  
D26/40, 41, 42, 44, 46, 49, 61, 75; 362/157,  
362/158, 184, 194–196, 197, 202–208, 171–174  
See application file for complete search history.

(56) **References Cited**

**U.S. PATENT DOCUMENTS**

D277,415 S *	1/1985	Berger	.....	D26/46
D356,172 S *	3/1995	Vance	.....	D26/46
D361,633 S *	8/1995	Chabria	.....	D26/37
D395,720 S *	6/1998	Galli	.....	D26/37
D397,465 S *	8/1998	Youri	.....	D26/38
D405,551 S *	2/1999	Lynch et al.	.....	D26/37
D425,642 S *	5/2000	Zeller	.....	D26/44
D435,677 S *	12/2000	Hollinger	.....	D26/60
D453,580 S *	2/2002	Lynch et al.	.....	D26/46
D475,149 S *	5/2003	Chun	.....	D26/37
D477,432 S *	7/2003	Parsons	.....	D26/37

D541,961 S *	5/2007	Tarter et al.	.....	D26/40
D542,449 S *	5/2007	Racoosin et al.	.....	D26/51
D571,941 S *	6/2008	Lee	.....	D26/37
D595,875 S *	7/2009	Irvine	.....	D26/24
D631,586 S *	1/2011	Li et al.	.....	D26/37
D634,039 S *	3/2011	Lee	.....	D26/24
D643,560 S *	8/2011	Tompkin	.....	D26/40
D670,016 S *	10/2012	Sprengers	.....	D26/63

\* cited by examiner

*Primary Examiner* — Ian Simmons

*Assistant Examiner* — Carrisa C Fitts

(74) *Attorney, Agent, or Firm* — Slater & Matsil, L.L.P.

(57) **CLAIM**

The ornamental design for a light, as shown and described.

**DESCRIPTION**

FIG. 1 is a perspective view of the bottom, front and left side of a light, showing my new design when the light is in an extended position;

FIG. 2 is a front view of the light of FIG. 1;

FIG. 3 is a rear view of the light of FIG. 1;

FIG. 4 is a right side view of the light of FIG. 1;

FIG. 5 is a left side view of the light of FIG. 1;

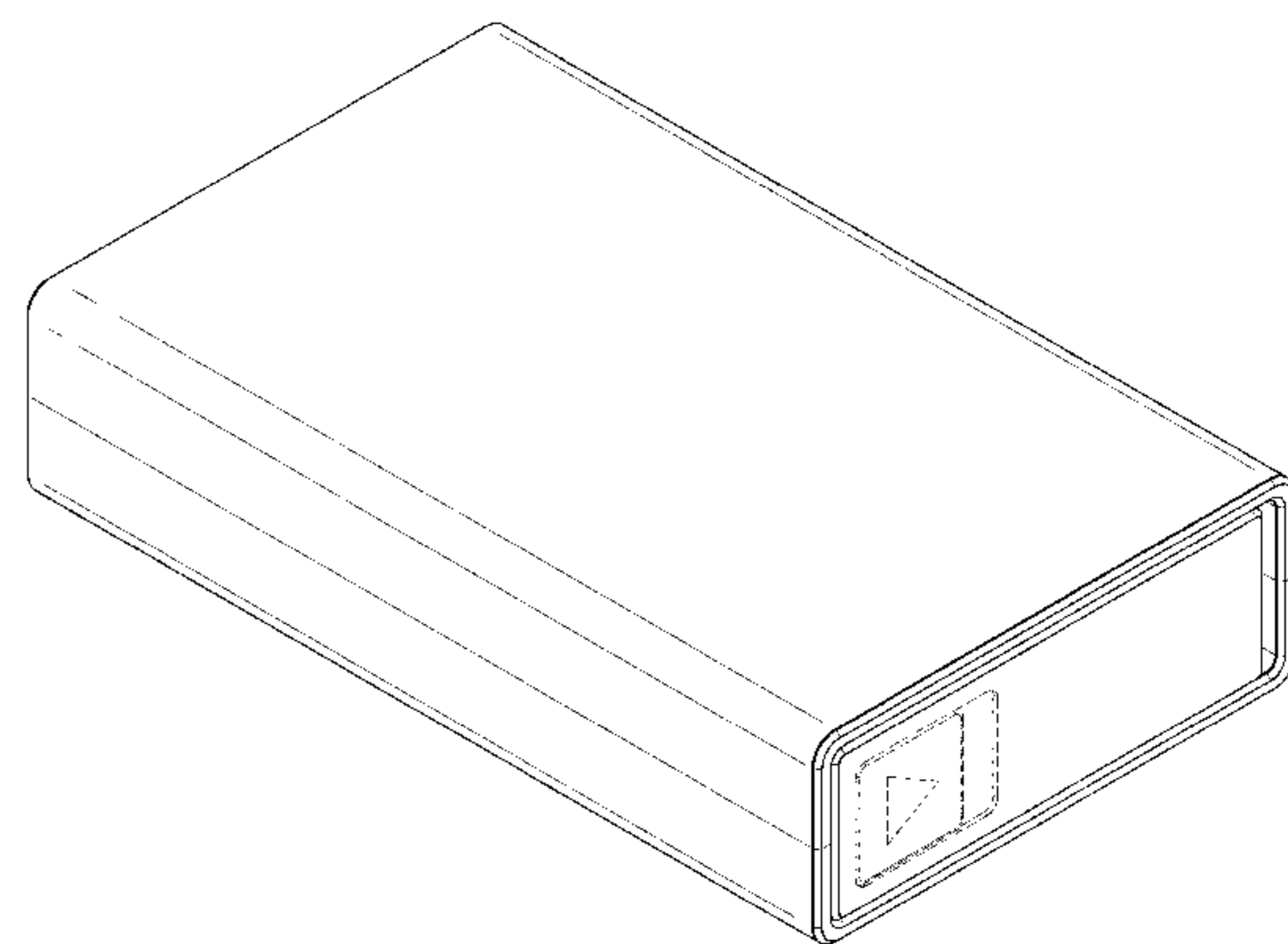
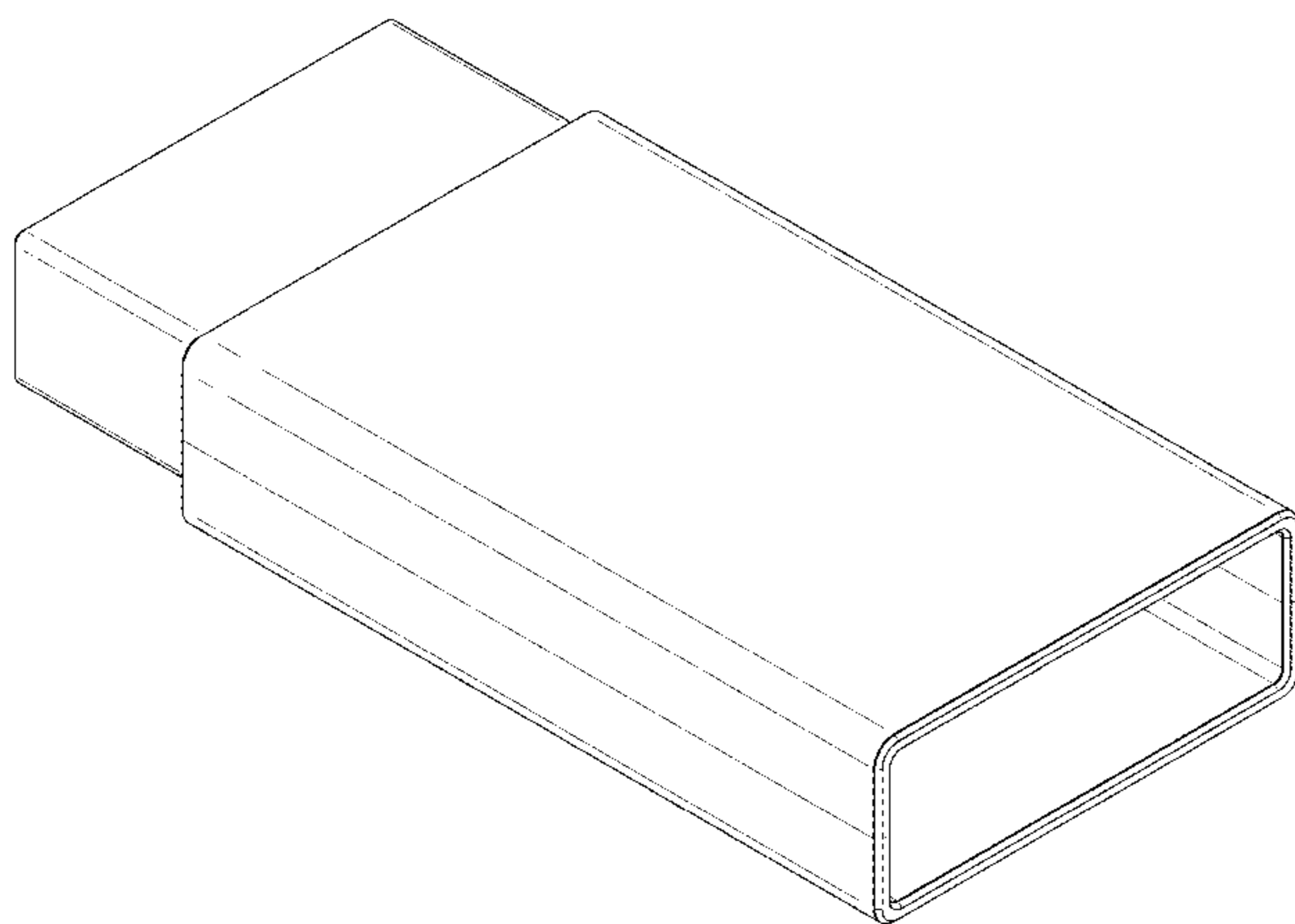
FIG. 6 is a top view of the light of FIG. 1;

FIG. 7 is a bottom view of the light of FIG. 1; and,

FIG. 8 is a perspective view of the bottom, front and left side of the light of FIG. 1 in an collapsed position.

The broken-line disclosure of elements is understood to represent portions of the article in which the design is embodied, but which form no part of the claimed design.

**1 Claim, 6 Drawing Sheets**



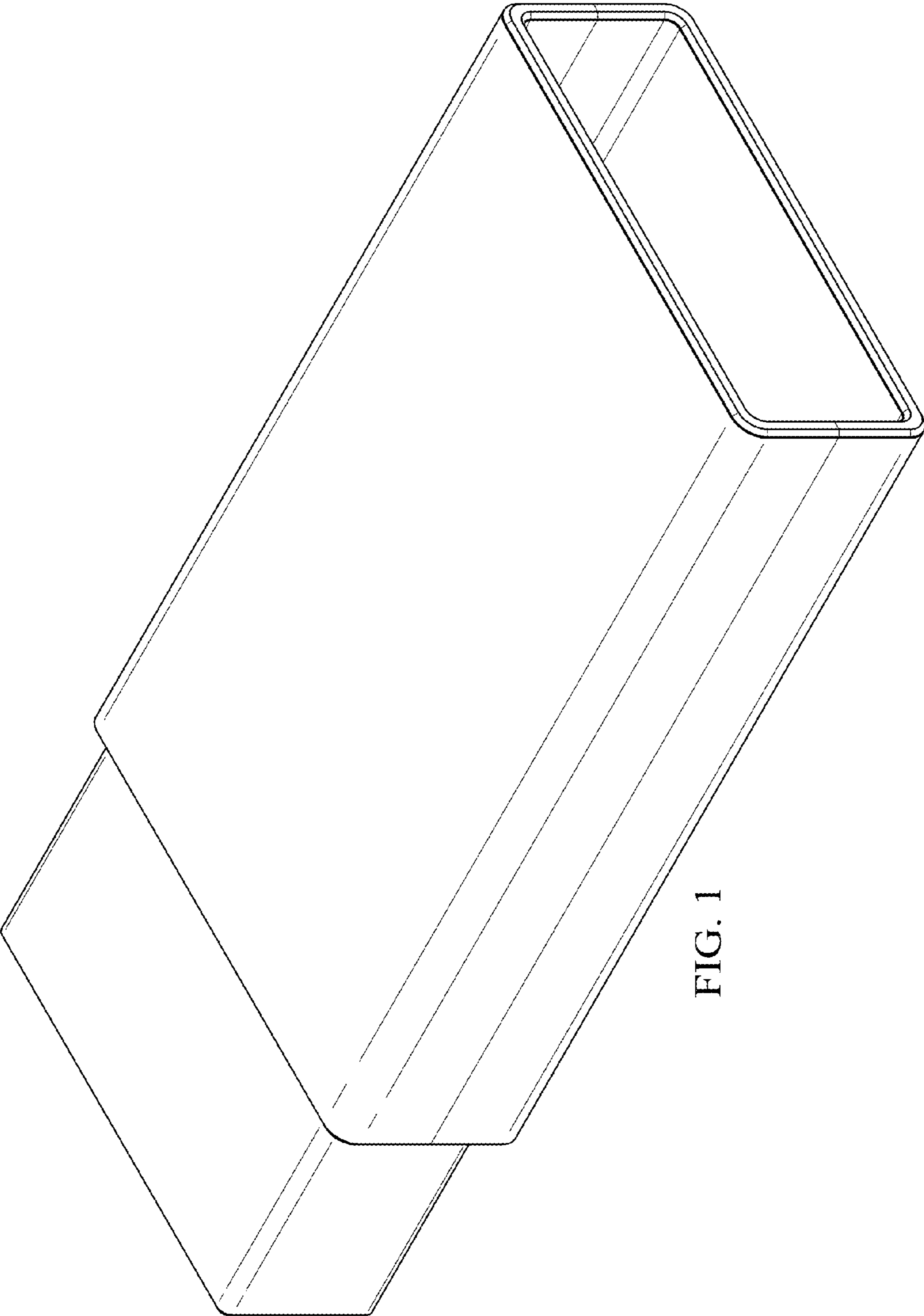


FIG. 1

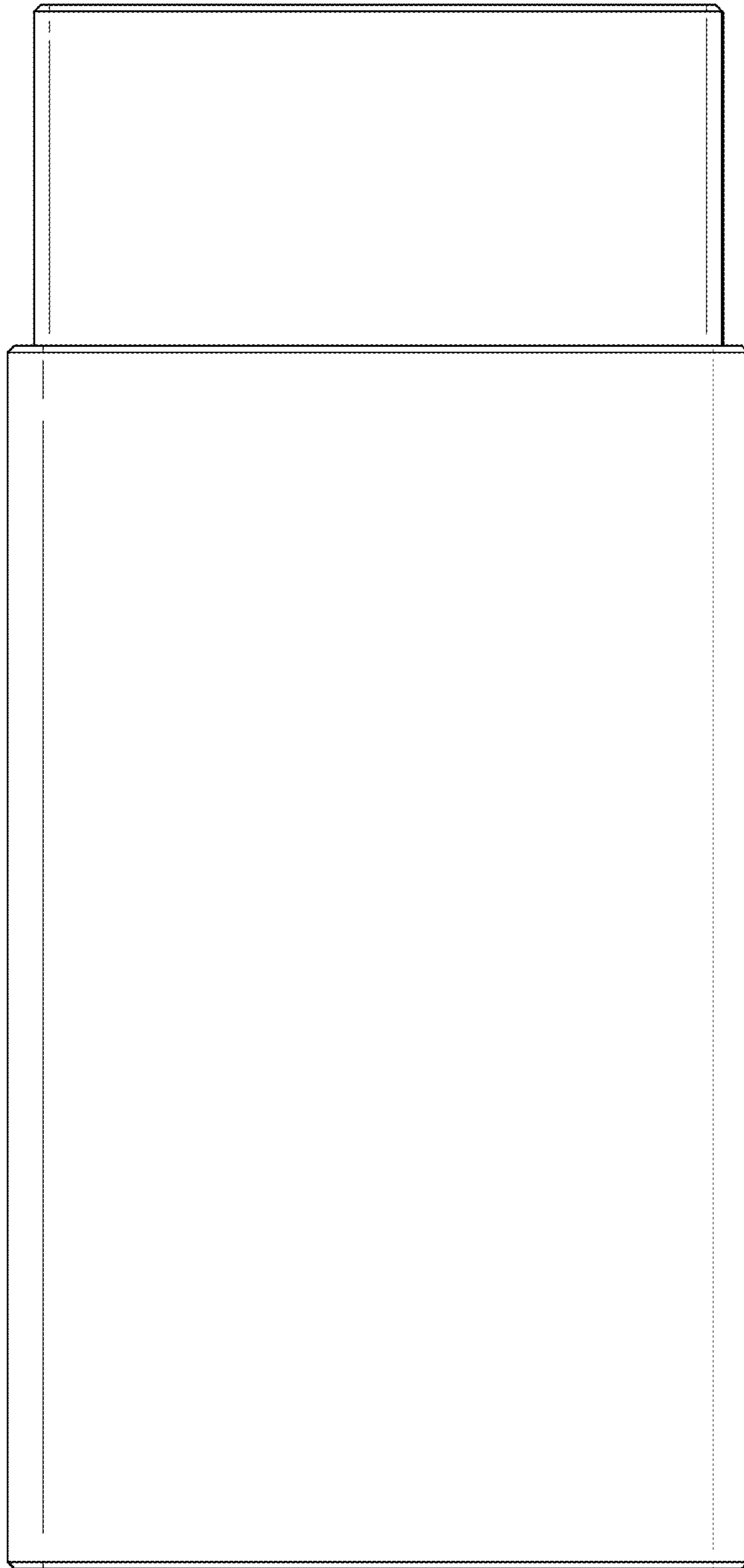


FIG. 2

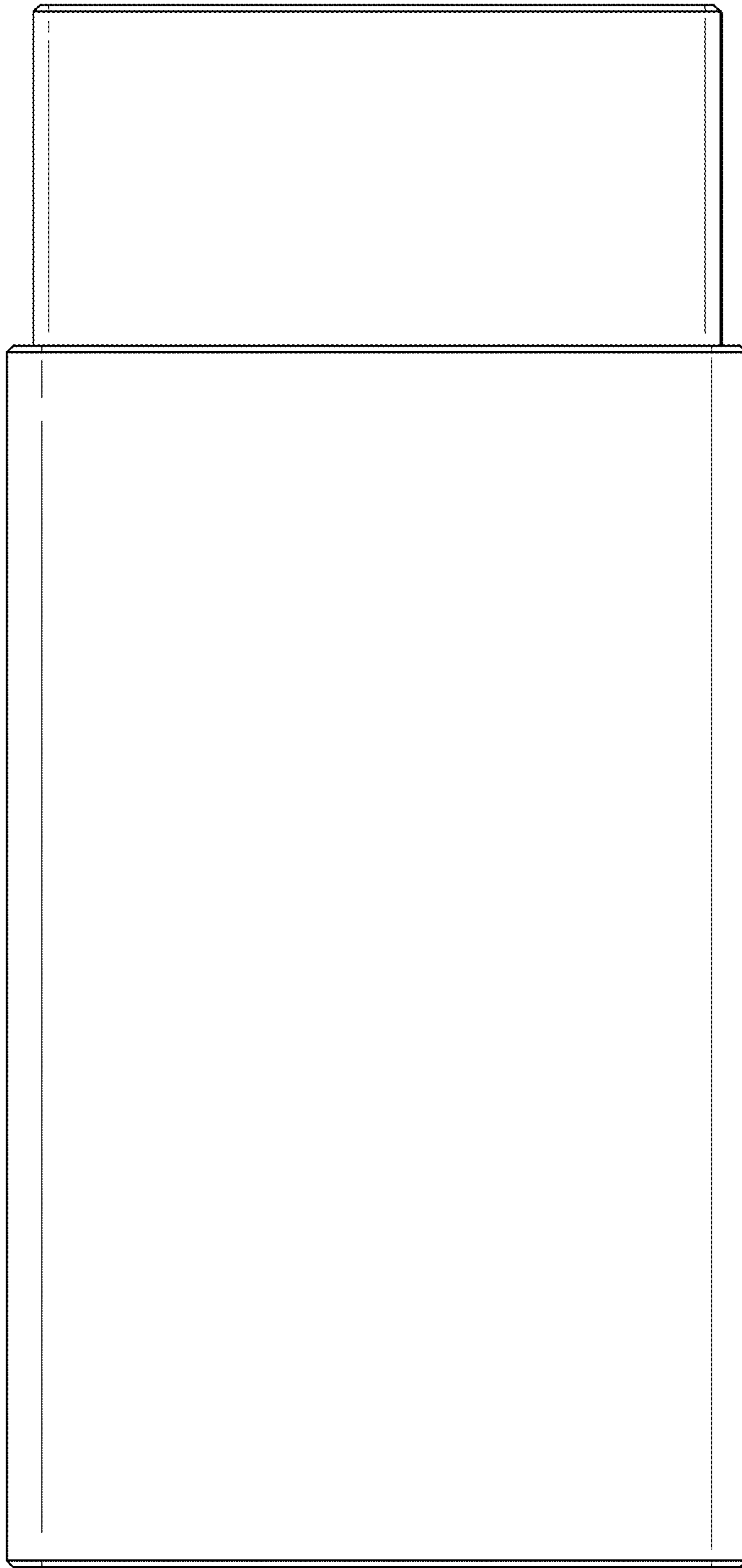


FIG. 3

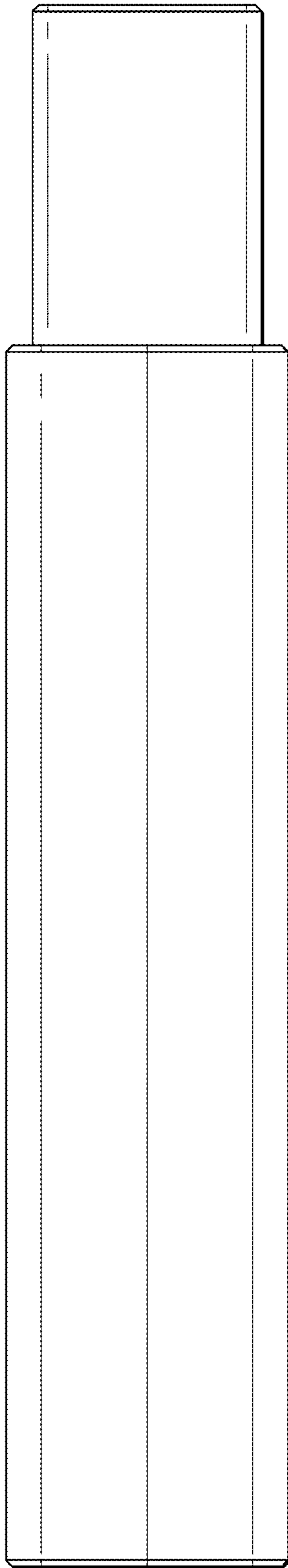


FIG. 4

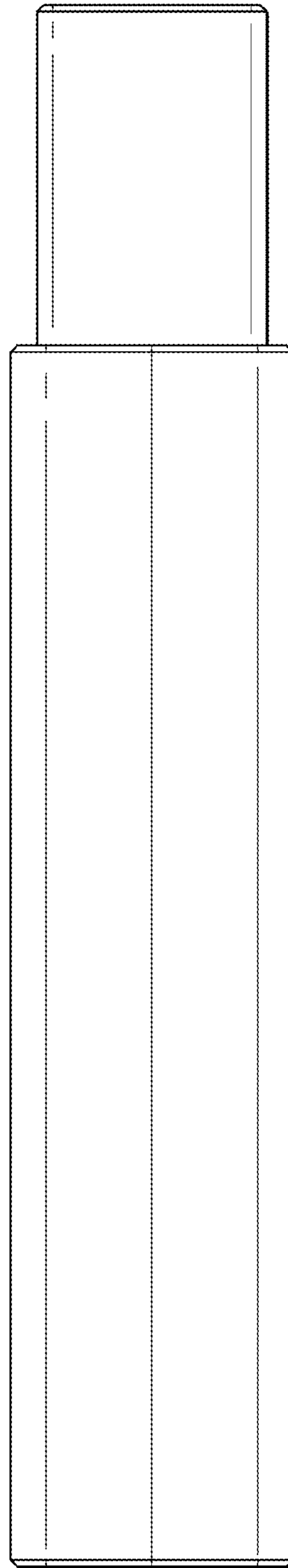


FIG. 5

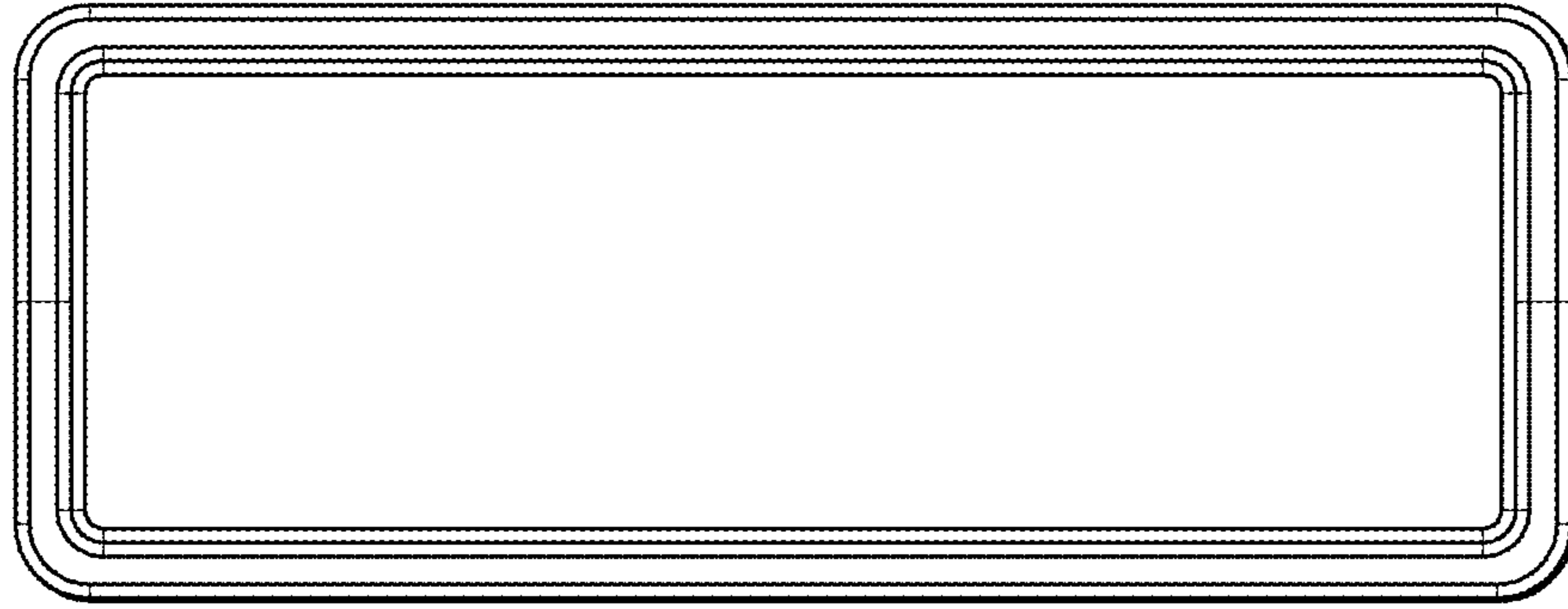


FIG. 6

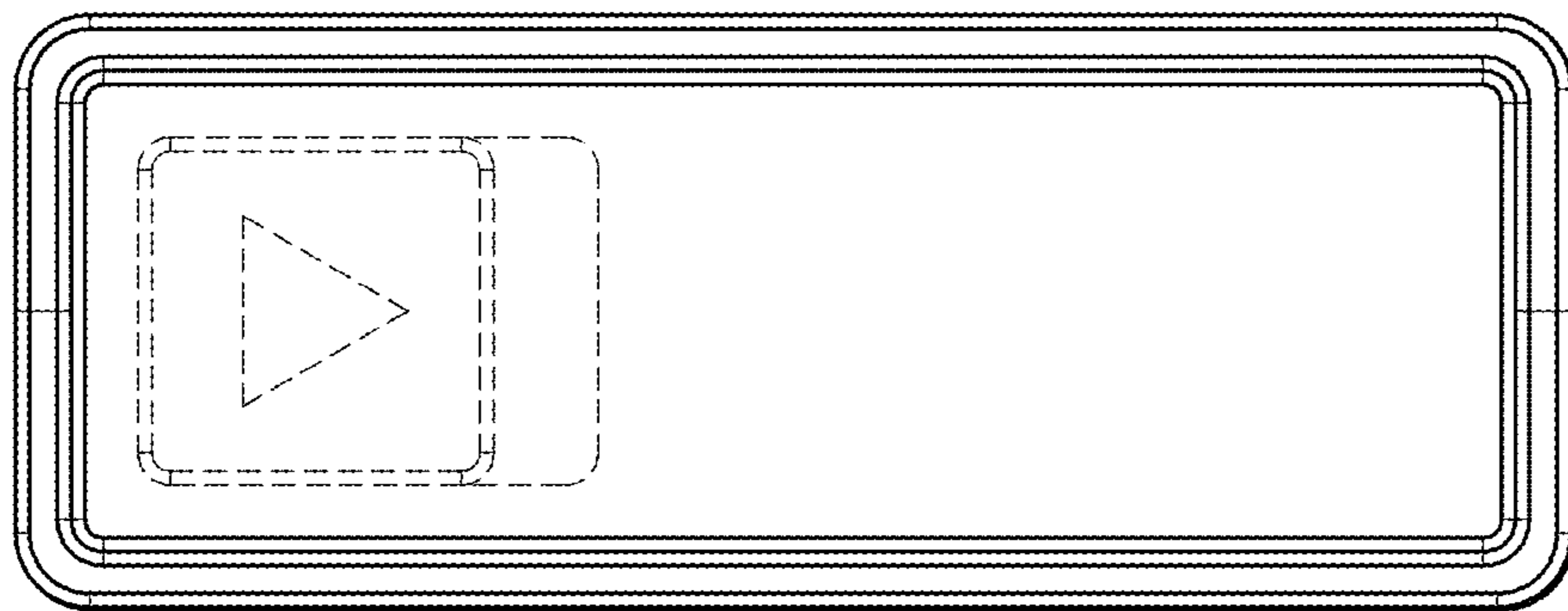


FIG. 7

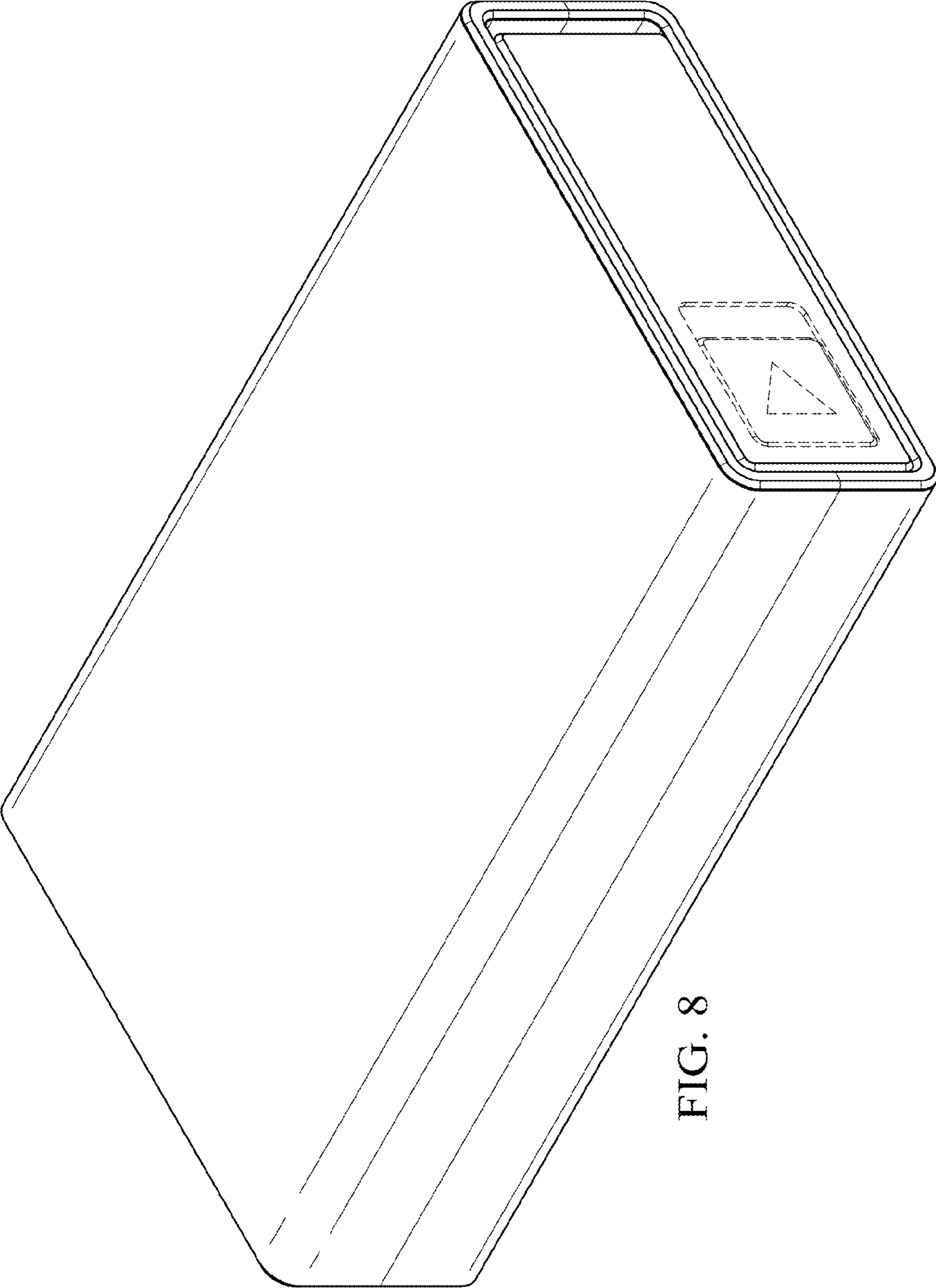


FIG. 8