



US00D682448S

(12) **United States Design Patent**
Nugent

(10) **Patent No.:** **US D682,448 S**

(45) **Date of Patent:** **** May 14, 2013**

(54) **CANDLE HOLDER**

(75) Inventor: **Peggy Nugent**, Houston, TX (US)

(73) Assignee: **MVP Group International, Inc.**,
Charleston, SC (US)

(**) Term: **14 Years**

(21) Appl. No.: **29/401,331**

(22) Filed: **Sep. 9, 2011**

(51) **LOC (9) Cl.** **26-01**

(52) **U.S. Cl.**
USPC **D26/9; D26/22**

(58) **Field of Classification Search** D26/6-23;
431/289, 291, 292, 295, 350; D7/598; D11/143;
D9/500, 503-505, 432, 516
See application file for complete search history.

(56) **References Cited**

U.S. PATENT DOCUMENTS

D249,998 S *	10/1978	Gobleck, Jr.	D7/613
D357,085 S	4/1995	Ratia	
D371,213 S	6/1996	Hardy et al.	
D442,301 S *	5/2001	Klett et al.	D26/7
D443,083 S *	5/2001	Dearth	D26/10
D447,256 S	8/2001	Ratia	
D544,613 S	6/2007	Timmann et al.	
7,614,876 B1 *	11/2009	Ward-Kubik	431/289
D613,898 S	4/2010	Michaels et al.	

D625,851 S	10/2010	Furner et al.	
2006/0172241 A1 *	8/2006	Hohertz	431/289
2007/0134606 A1 *	6/2007	Lin	431/291
2009/0170046 A1 *	7/2009	Wooten	431/289
2011/0014580 A1 *	1/2011	Theresa et al.	431/291

* cited by examiner

Primary Examiner — T. Chase Nelson

Assistant Examiner — Ania Aman

(74) *Attorney, Agent, or Firm* — Roeder & Broder LLP;
James P. Broder

(57) **CLAIM**

The ornamental design for a candle holder, as shown and described.

DESCRIPTION

FIG. 1 is a perspective view of a candle holder showing my new design;

FIG. 2 is front elevational view thereof, rear and side views being identical thereto;

FIG. 3 is a top plan view thereof;

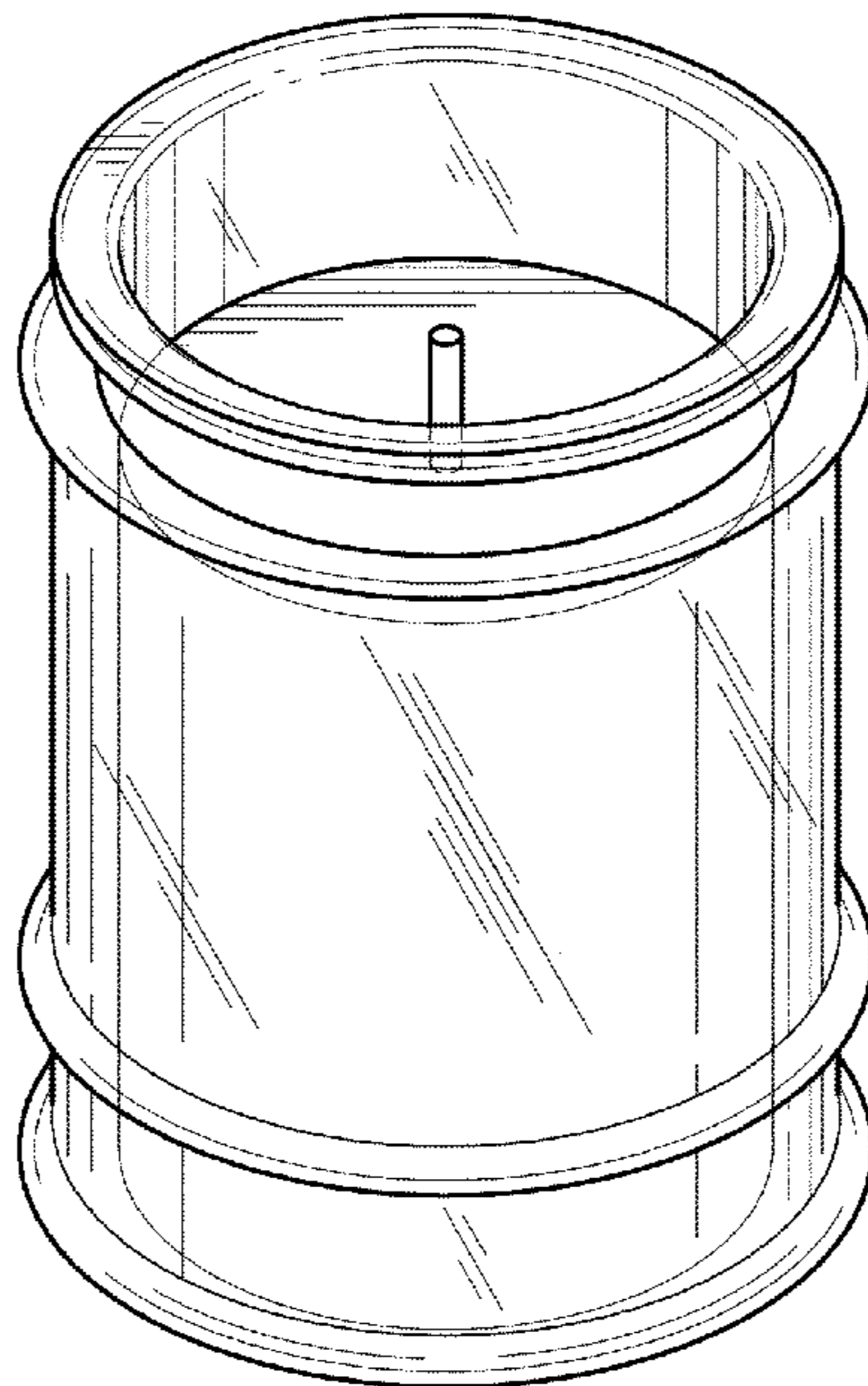
FIG. 4 is a bottom plan view thereof, which includes dashed lines that are for purposes of illustration only and are not part of the claimed design.

FIG. 5 is a perspective view of an alternative embodiment of the candle holder;

FIG. 6 is front elevational view of FIG. 5; and,

FIG. 7 is a bottom plan view of FIG. 5.

1 Claim, 4 Drawing Sheets



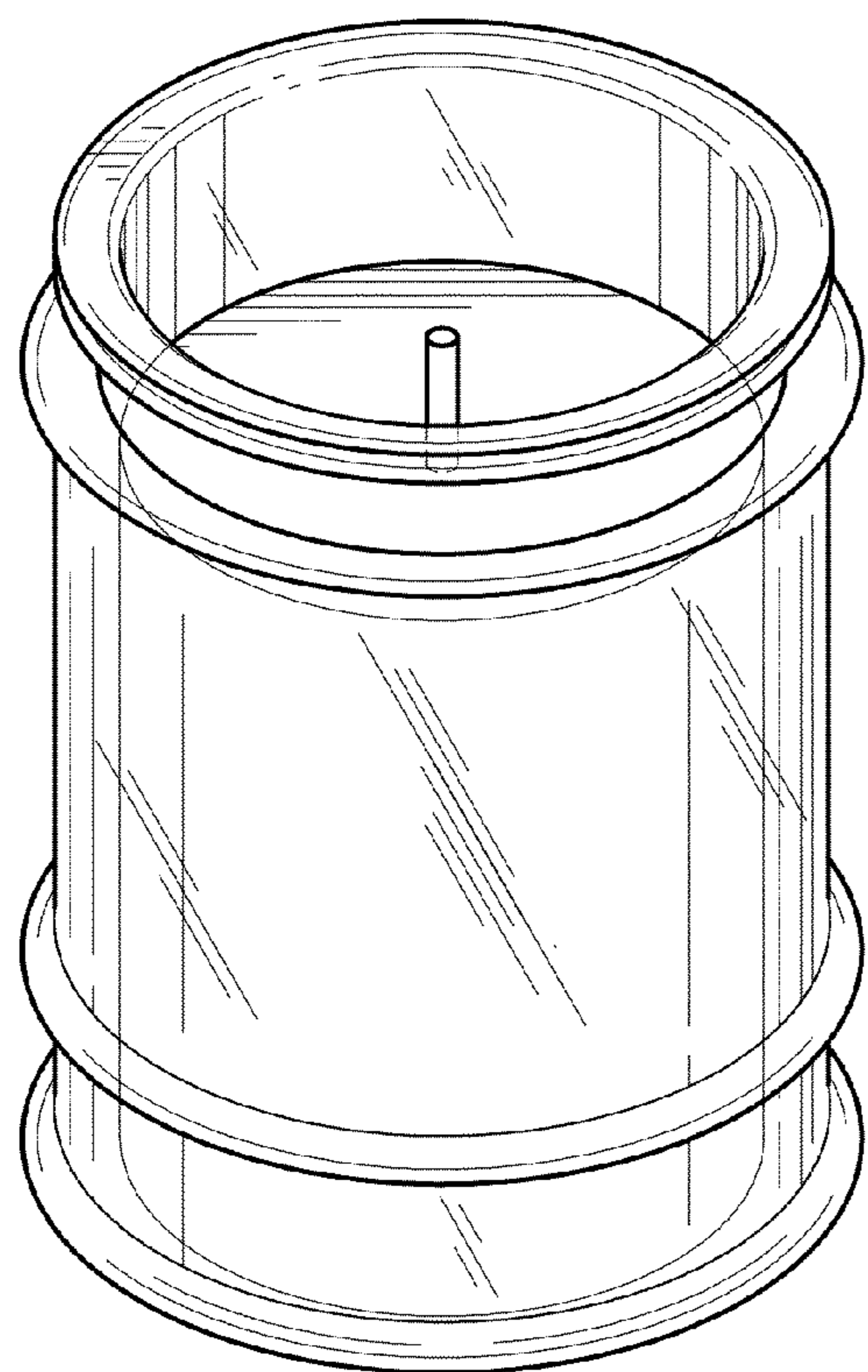


FIG. 1

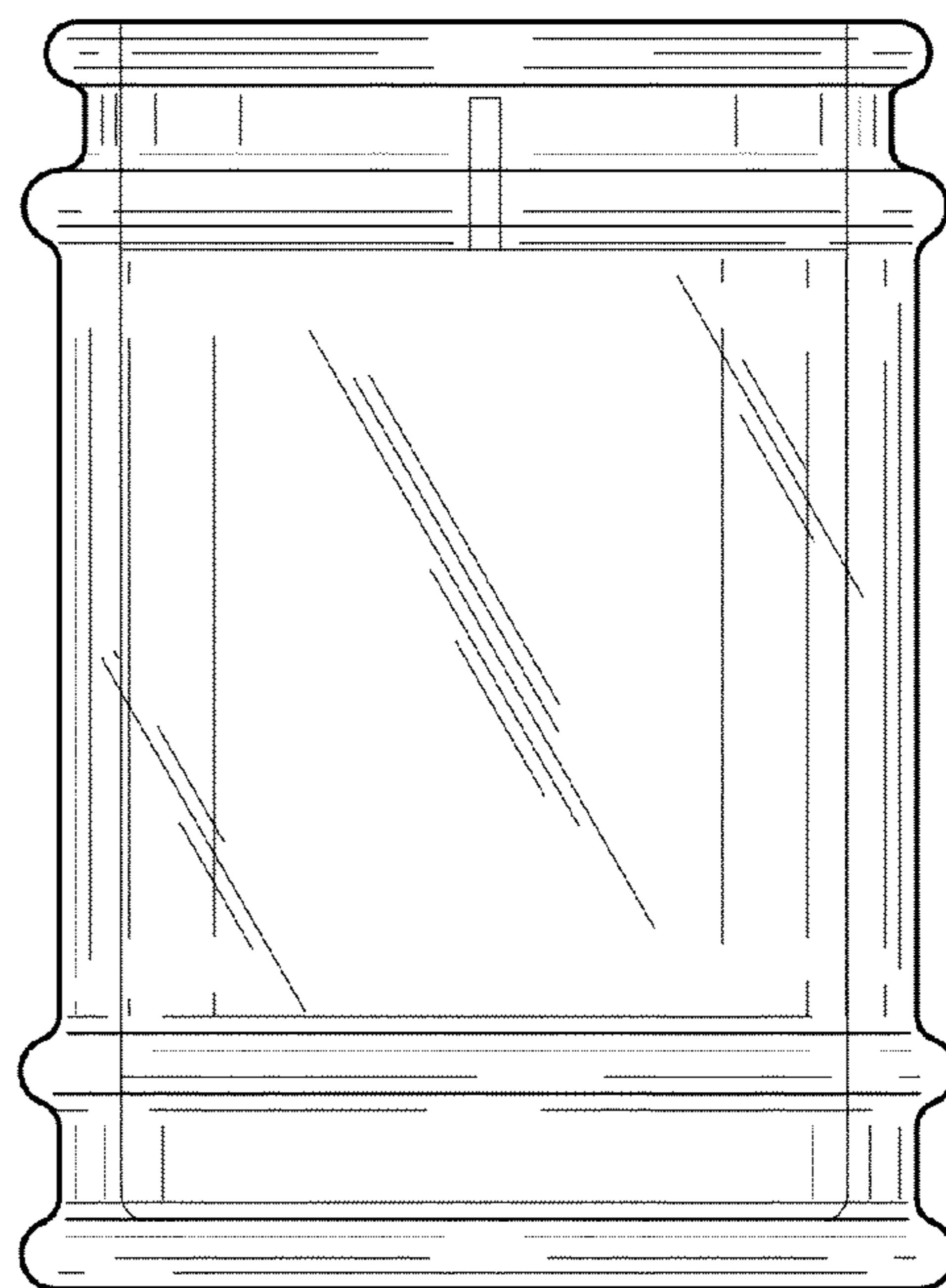


FIG. 2

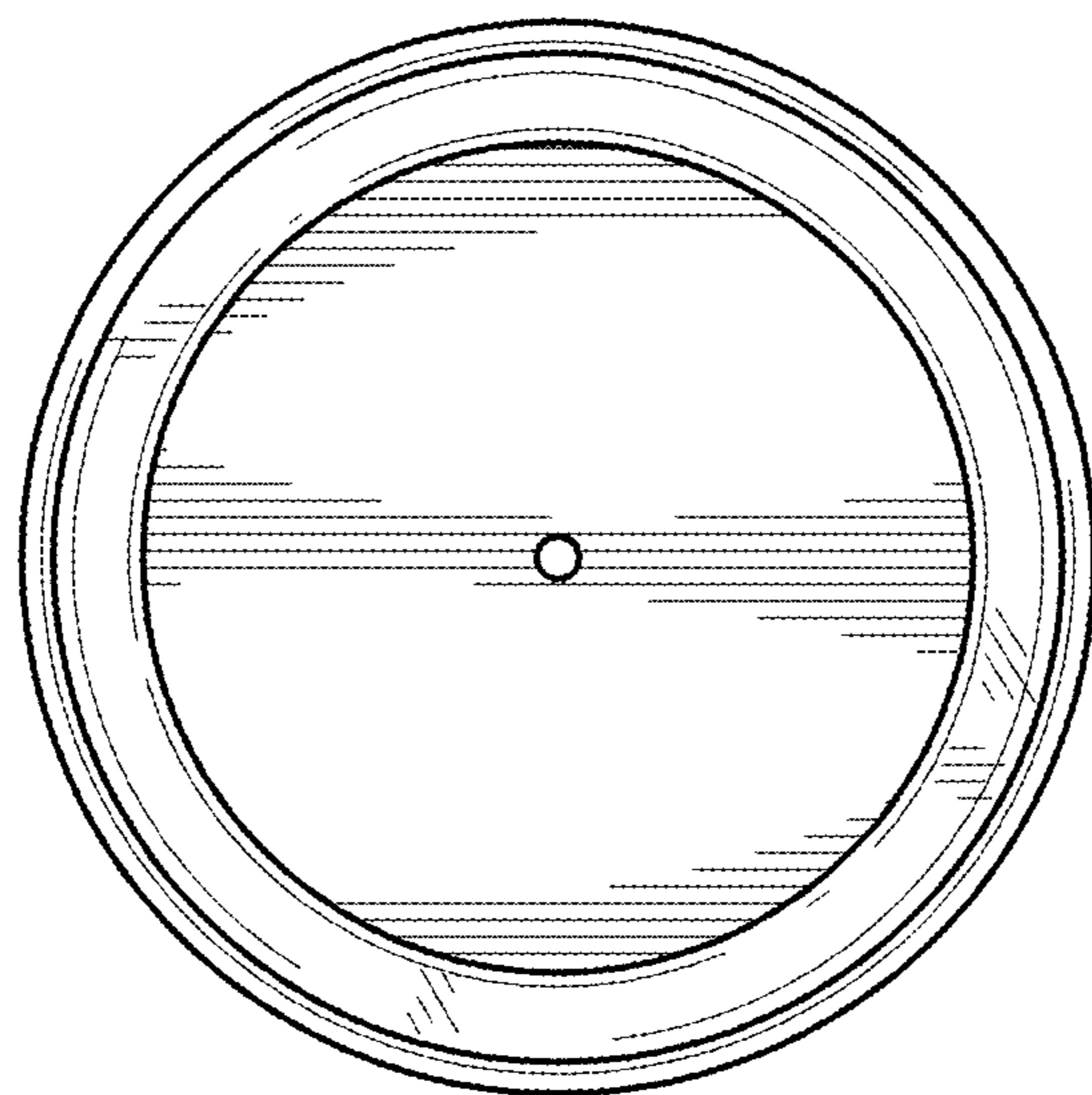


FIG. 3

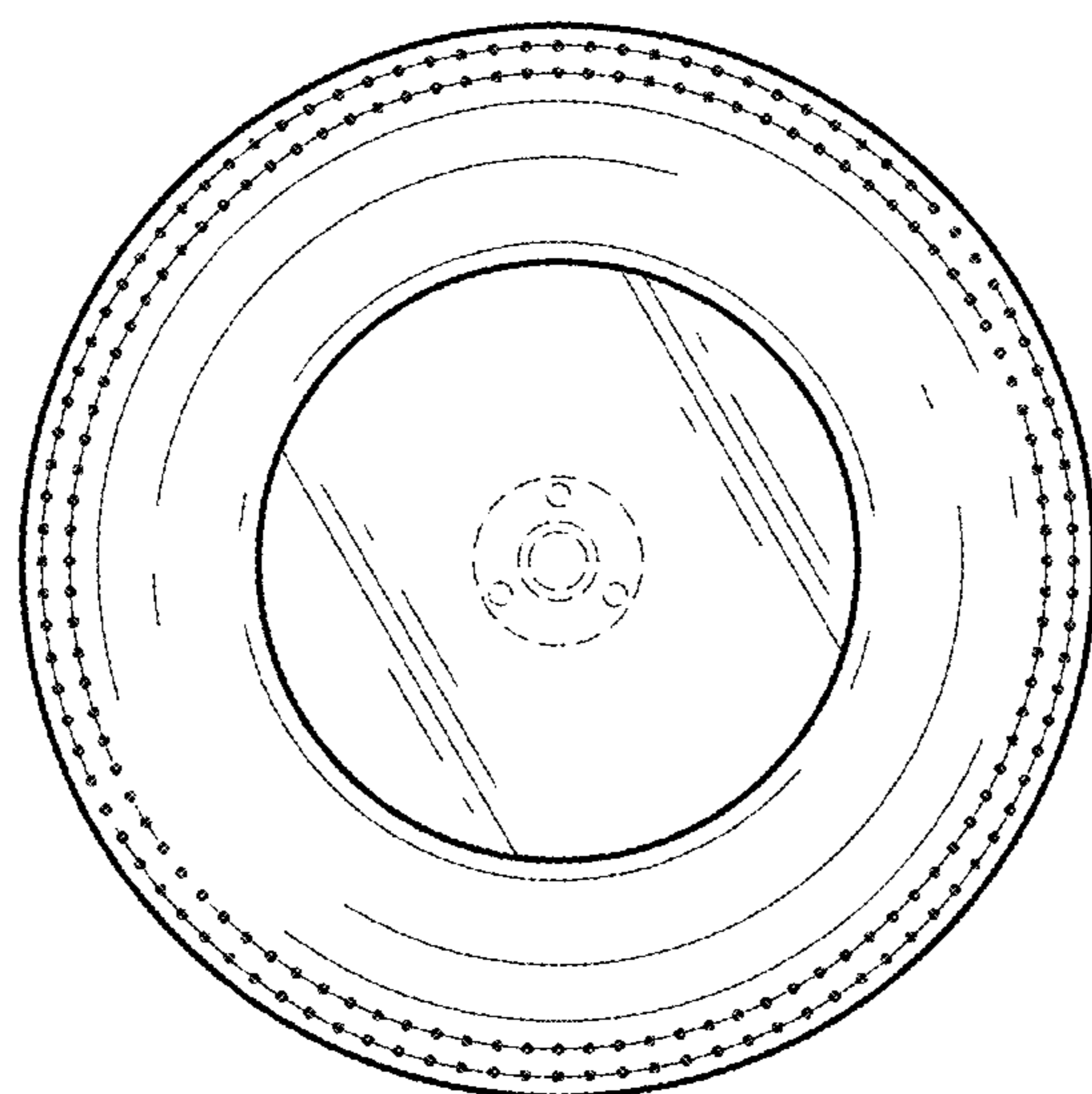


FIG. 4

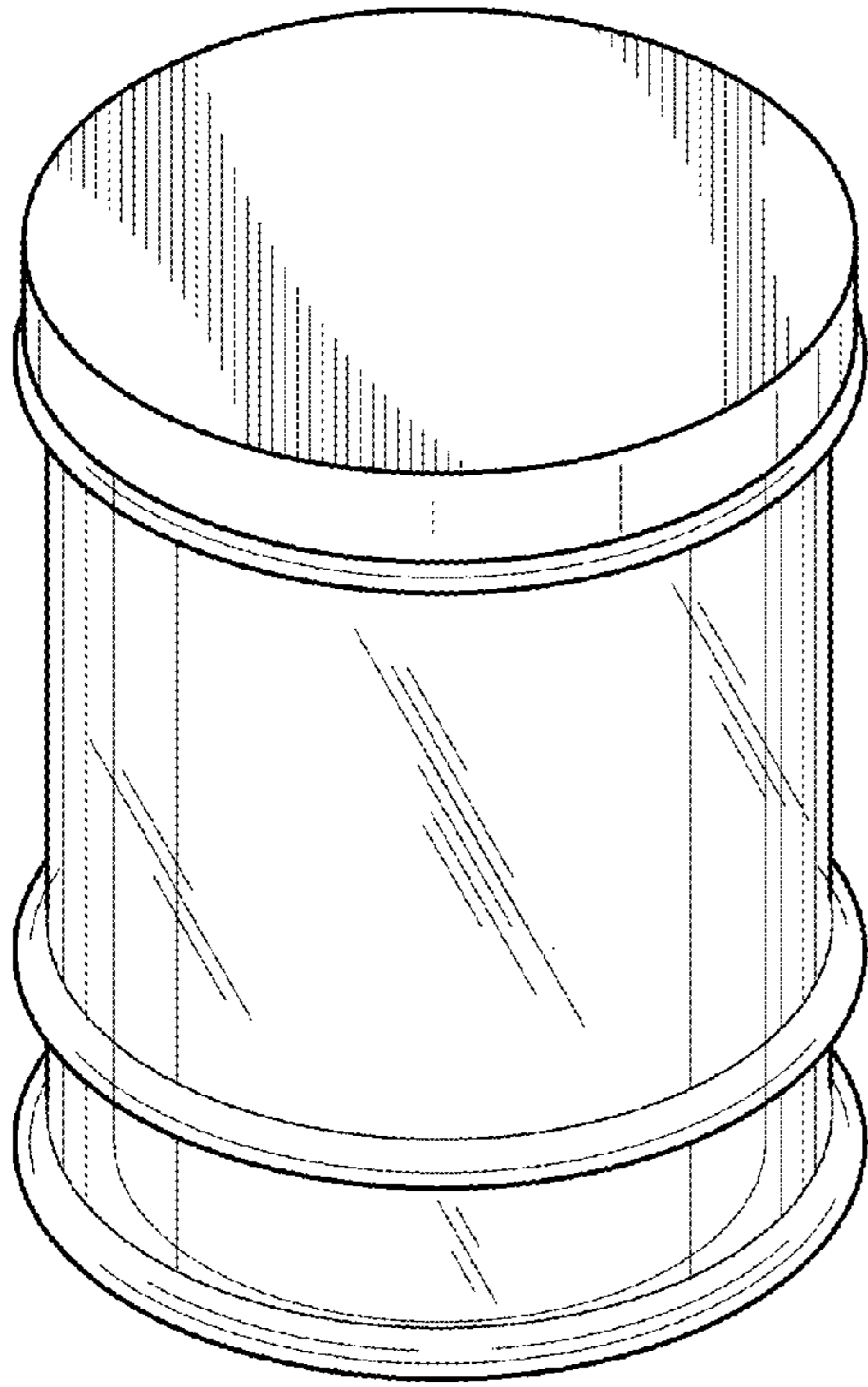


FIG. 5

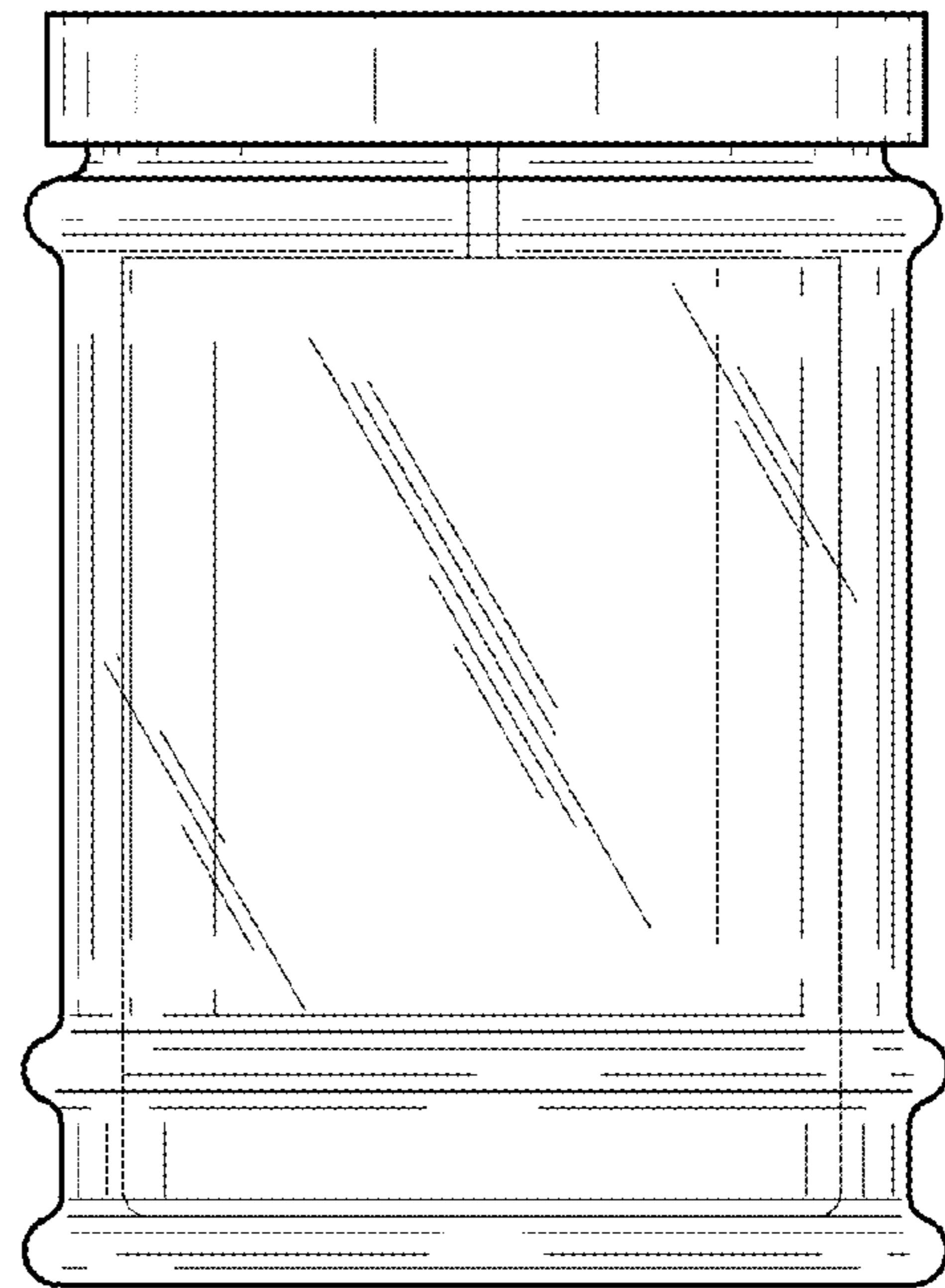


FIG. 6

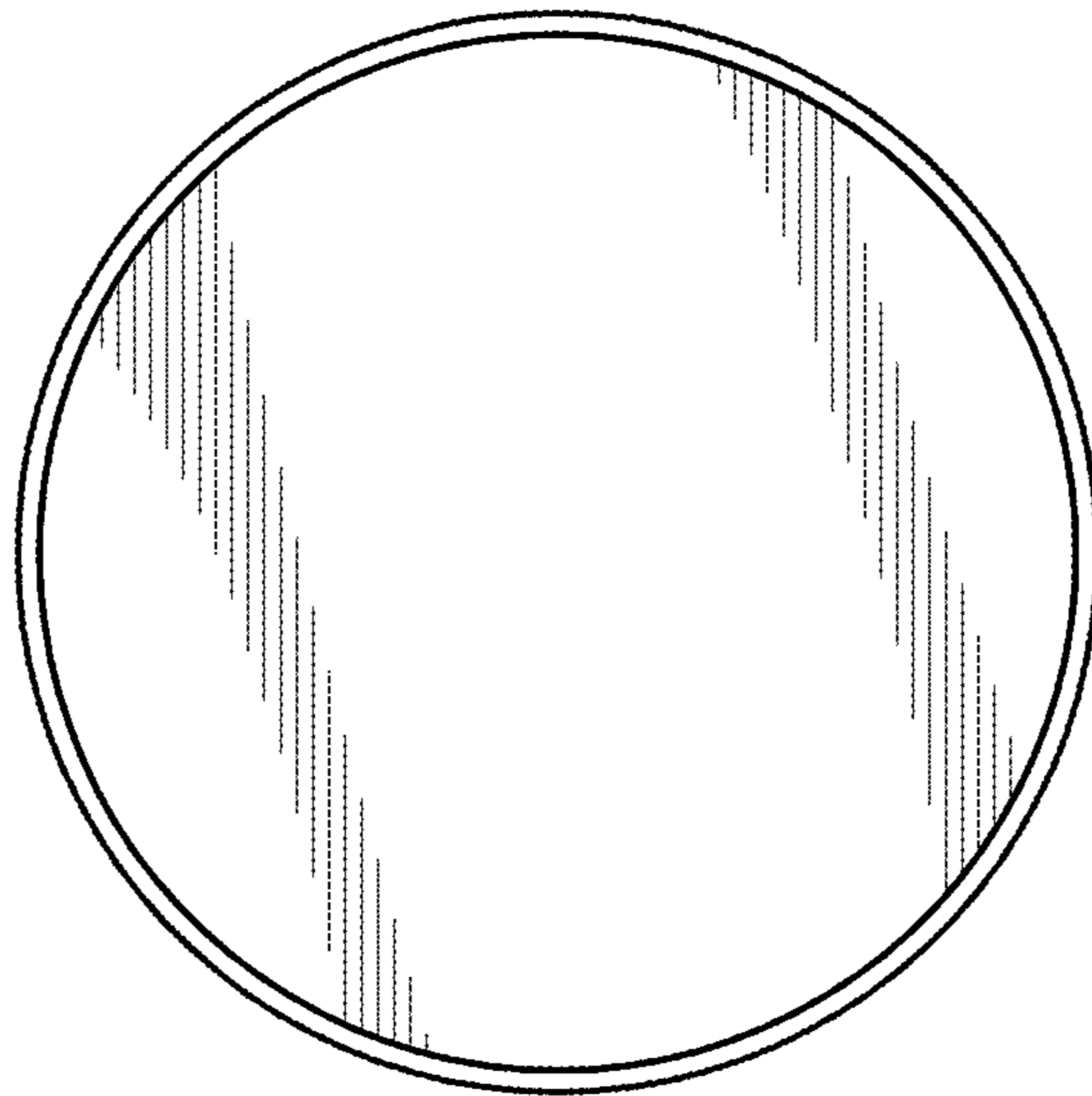


FIG. 7