



US00D682446S

(12) **United States Design Patent**
Young

(10) **Patent No.:** **US D682,446 S**

(45) **Date of Patent:** **** May 14, 2013**

(54) **STAIR TREAD**

(76) Inventor: **Robert H. Young**, Beaver Dam, KY
(US)

(**) Term: **14 Years**

(21) Appl. No.: **29/424,410**

(22) Filed: **Jun. 12, 2012**

Related U.S. Application Data

(63) Continuation of application No. 29/382,436, filed on Jan. 4, 2011, now Pat. No. Des. 661,816, which is a continuation of application No. 29/359,298, filed on Apr. 8, 2010, now abandoned.

(51) **LOC (9) Cl.** **25-04**

(52) **U.S. Cl.**
USPC **D25/69**

(58) **Field of Classification Search** D25/69;
52/177, 179, 188, 190

See application file for complete search history.

(56) **References Cited**

U.S. PATENT DOCUMENTS

D22,894 S * 11/1893 Taylor D5/6
D167,994 S * 10/1952 McKay D25/69
5,357,724 A * 10/1994 Sonoda 52/182

* cited by examiner

Primary Examiner — Doris Clark

(74) *Attorney, Agent, or Firm* — Berenato & White, LLC

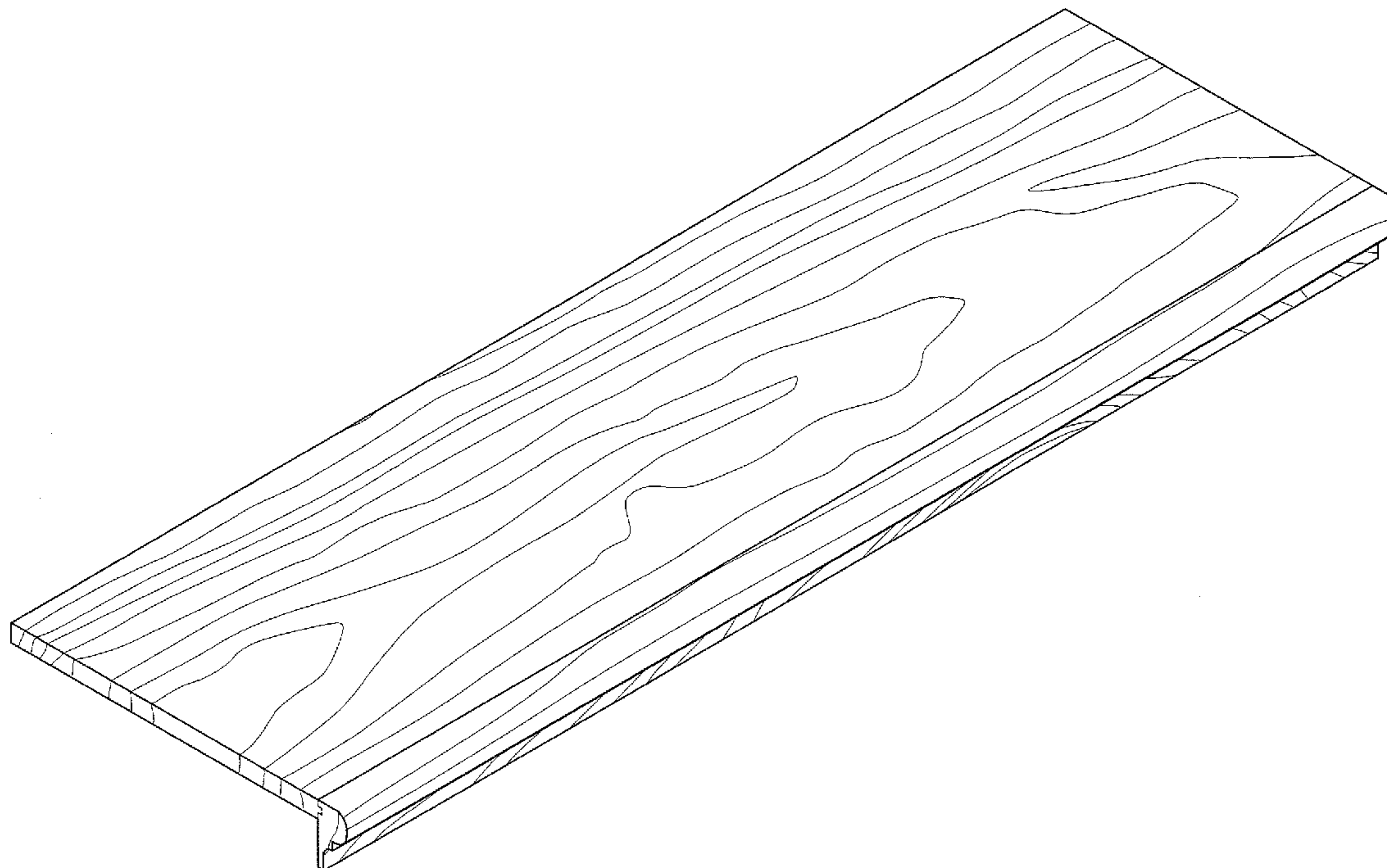
(57) **CLAIM**

The ornamental design for a stair tread, as shown and described.

DESCRIPTION

FIG. 1 is a front perspective view of my design;
FIG. 2 is a front elevational view;
FIG. 3 is a rear elevational view;
FIG. 4 is a right side elevational view;
FIG. 5 is a left side elevational view;
FIG. 6 is a top plan view; and,
FIG. 7 is a bottom plan.
The broken line showing of environment is for illustrative purposes only and forms no part of the claimed design.

1 Claim, 5 Drawing Sheets



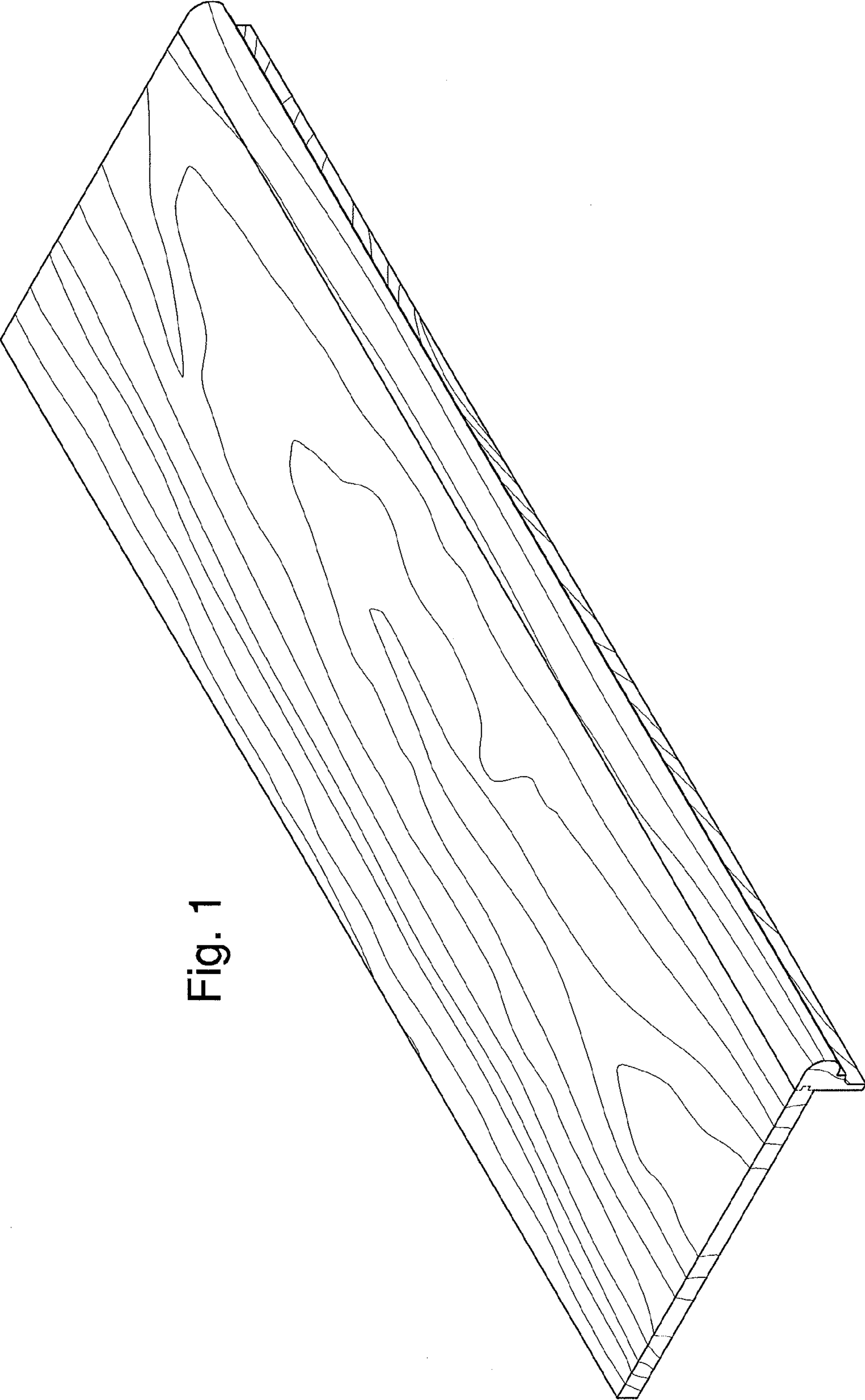


Fig. 1

Fig. 2

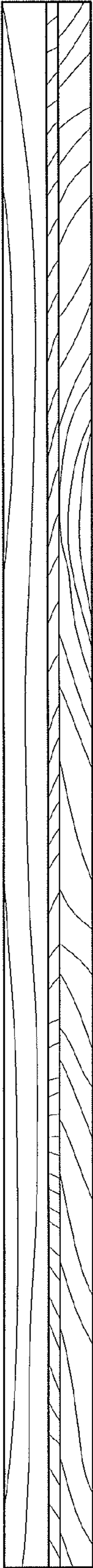


Fig. 3

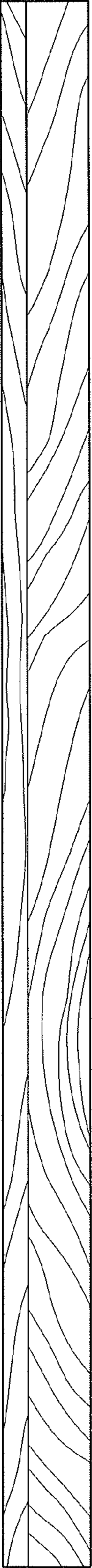


Fig. 4

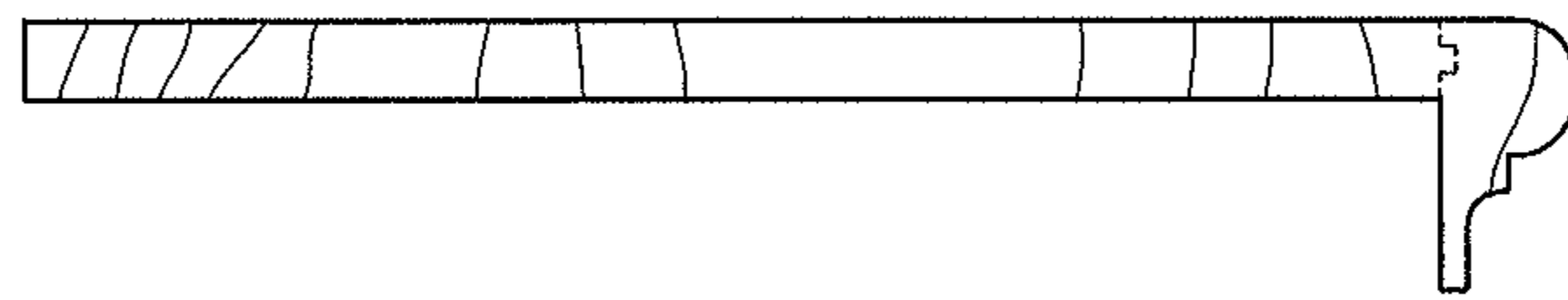


Fig. 5

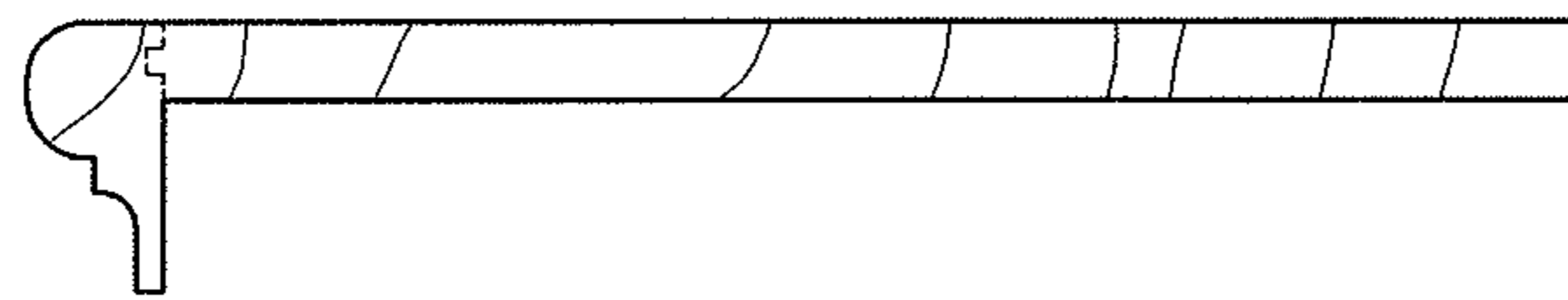


Fig. 6

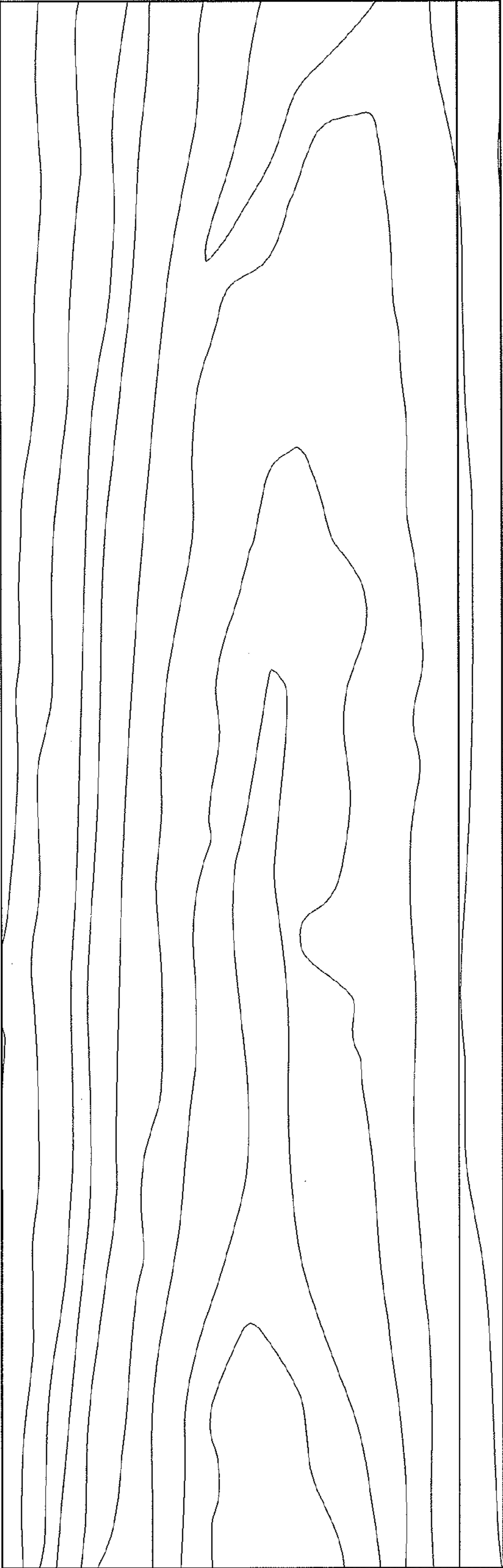


Fig. 7

