



US00D682445S

(12) **United States Design Patent**
Akkala

(10) **Patent No.:** **US D682,445 S**
(45) **Date of Patent:** **** May 14, 2013**

(54) **FRAME AND CURB BOX**

- (75) Inventor: **Steven M. Akkala**, Neenah, WI (US)
- (73) Assignee: **Neenah Foundry Company**, Neenah, WI (US)
- (**) Term: **14 Years**
- (21) Appl. No.: **29/429,592**
- (22) Filed: **Aug. 14, 2012**
- (51) **LOC (9) Cl.** **23-01**
- (52) **U.S. Cl.**
USPC **D25/36**
- (58) **Field of Classification Search** D25/36;
D23/267; 210/170, 170.01, 170.03, 162-166,
210/474; 404/4, 5
See application file for complete search history.

(56) **References Cited**

U.S. PATENT DOCUMENTS

| | | | | |
|--------------|------|---------|-----------------|---------|
| D29,706 | S | 11/1898 | Lonegran | |
| D30,054 | S | 1/1899 | Lonegran | |
| 2,537,654 | A * | 1/1951 | Curnutte | 404/4 |
| D276,839 | S | 12/1984 | McCoy | |
| 6,234,711 | B1 | 5/2001 | Beaman | |
| 6,997,636 | B2 | 2/2006 | Tremouilhac | |
| 7,132,045 | B1 | 11/2006 | Trangsrud | |
| 7,160,048 | B1 * | 1/2007 | Fattori et al. | 404/4 |
| D556,865 | S | 12/2007 | Trangsrud | |
| 7,309,420 | B1 | 12/2007 | Trangsrud | |
| D559,959 | S | 1/2008 | Trangsrud | |
| 7,611,304 | B2 | 11/2009 | Lill et al. | |
| D667,962 | S * | 9/2012 | Akkala | D25/36 |
| 8,323,485 | B2 * | 12/2012 | Blundell et al. | 210/163 |
| 2004/0007655 | A1 | 1/2004 | Piscovich | |
| 2005/0207839 | A1 | 9/2005 | Tremouilhac | |
| 2006/0285925 | A1 * | 12/2006 | Fattori et al. | 405/36 |
| 2007/0086856 | A1 | 4/2007 | Lill et al. | |
| 2008/0237100 | A1 | 10/2008 | Wimberger | |

OTHER PUBLICATIONS

R-3278-A-Combination Inlet, With Curb Box, Combination Inlet Frame, Grate, Curb Box, Neenah Foundry Catalog, Aug. 13, 2012, 1 page, Copyright 2012 Neenah Foundry, <http://www.nfco.com/municipal/products/print-hl/>.
R-3278-AL-Combination Inlets, With Curb Box, Combination Inlet Frame, Grate, Curb Box, Neenah Foundry Catalog, Aug. 13, 2012, 2 pages, Copyright 2012 Neenah Foundry, <http://www.nfco.com/municipal/products/print-hl/>.

* cited by examiner

Primary Examiner — Eric Goodman

(74) *Attorney, Agent, or Firm* — Krieg DeVault LLP

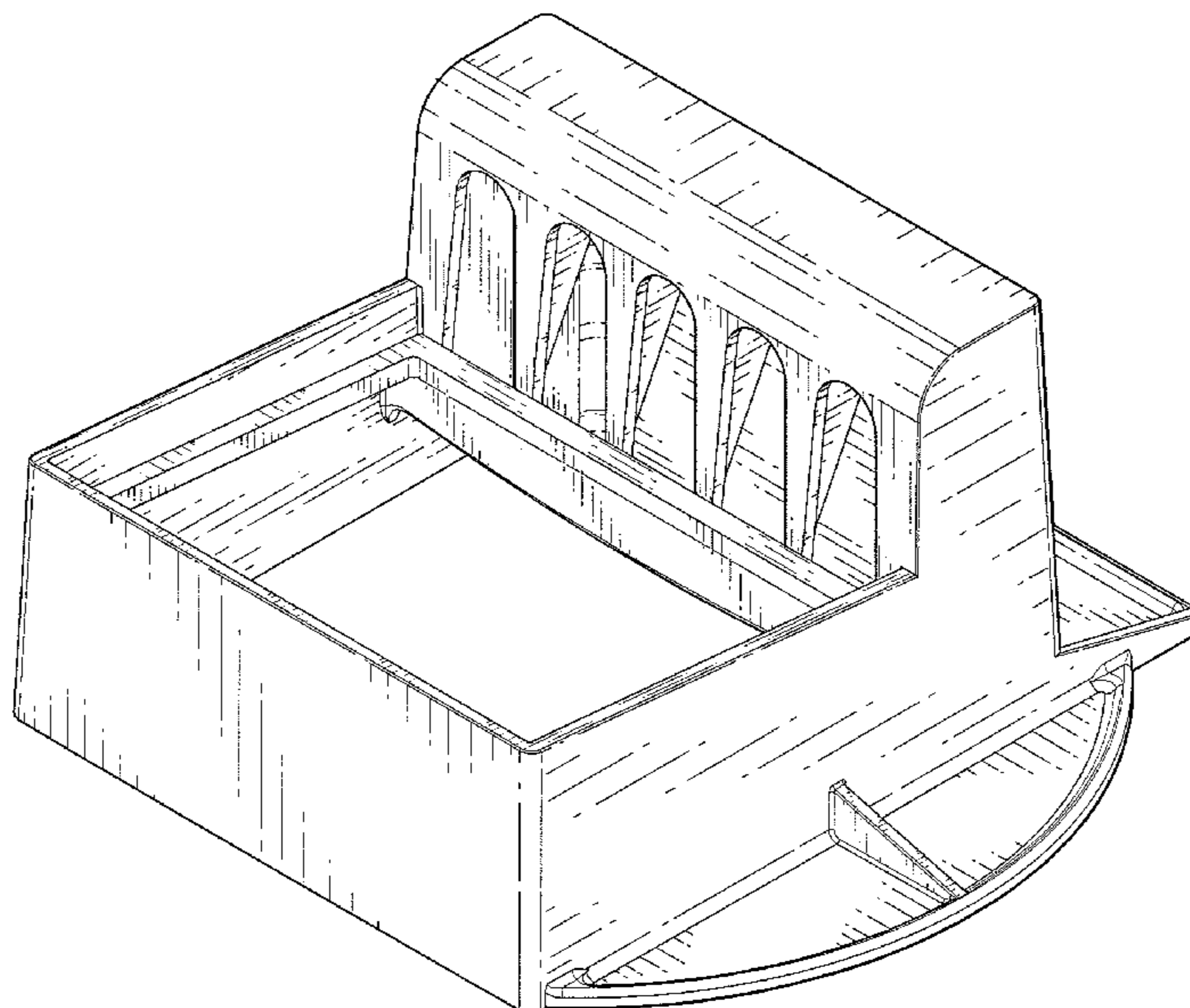
(57) **CLAIM**

The ornamental design for a frame and curb box, as shown and described.

DESCRIPTION

FIG. 1 is a top, front and right side perspective view of the frame and curb box of the present invention.
FIG. 2 is a bottom, front and right side perspective view of the frame and curb box of FIG. 1.
FIG. 3 is a top view of the frame and curb box of FIG. 1.
FIG. 4 is a front elevational view of the frame and curb box of FIG. 1.
FIG. 5 is a right side elevational view of the frame and curb box of FIG. 1.
FIG. 6 is a rear elevational view of the frame and curb box of FIG. 1; and,
FIG. 7 is a bottom view of the frame and curb box of FIG. 1.
The left side elevational view of the frame and curb box is a mirror image of the right side elevational view.

1 Claim, 5 Drawing Sheets



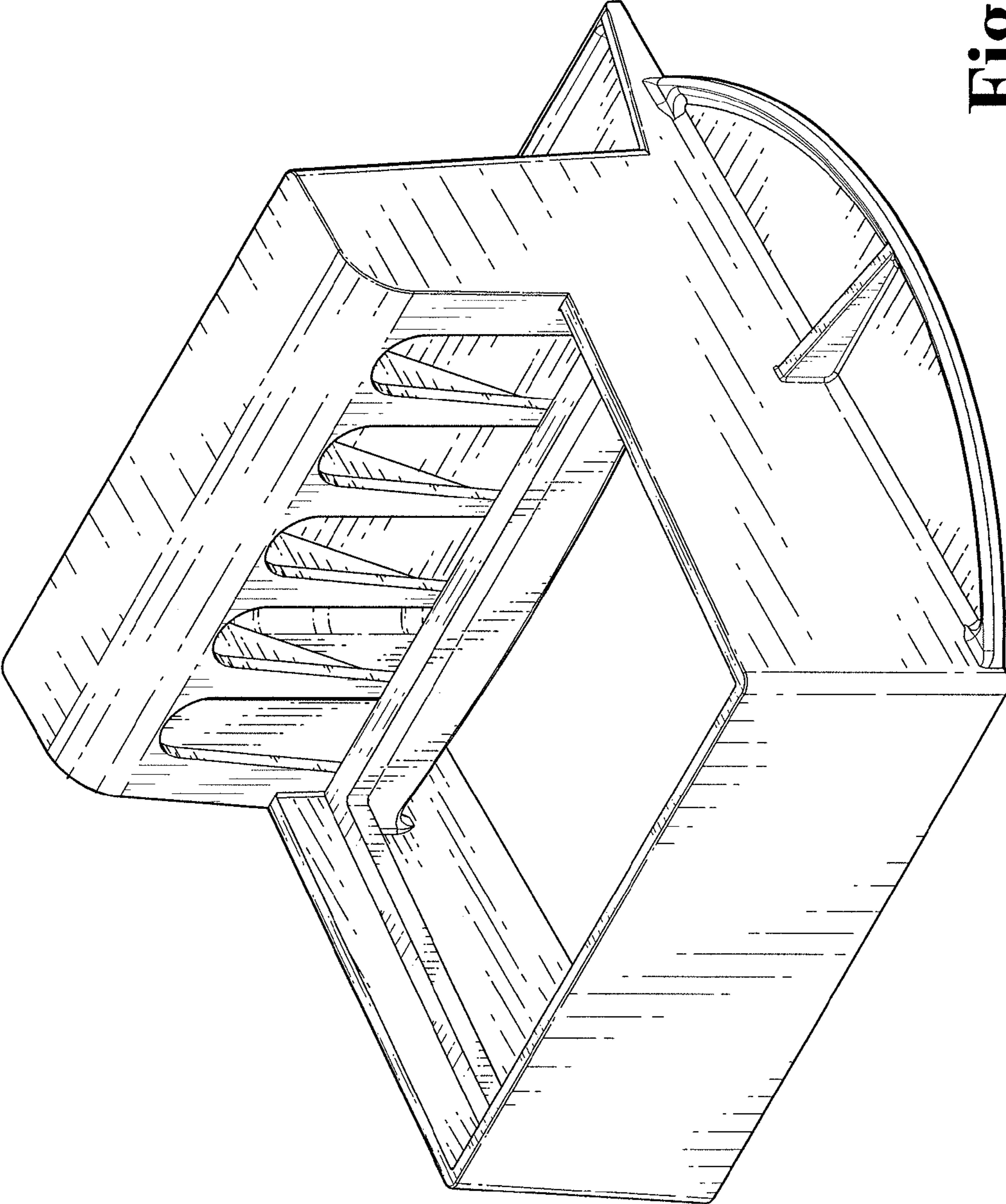


Fig. 1

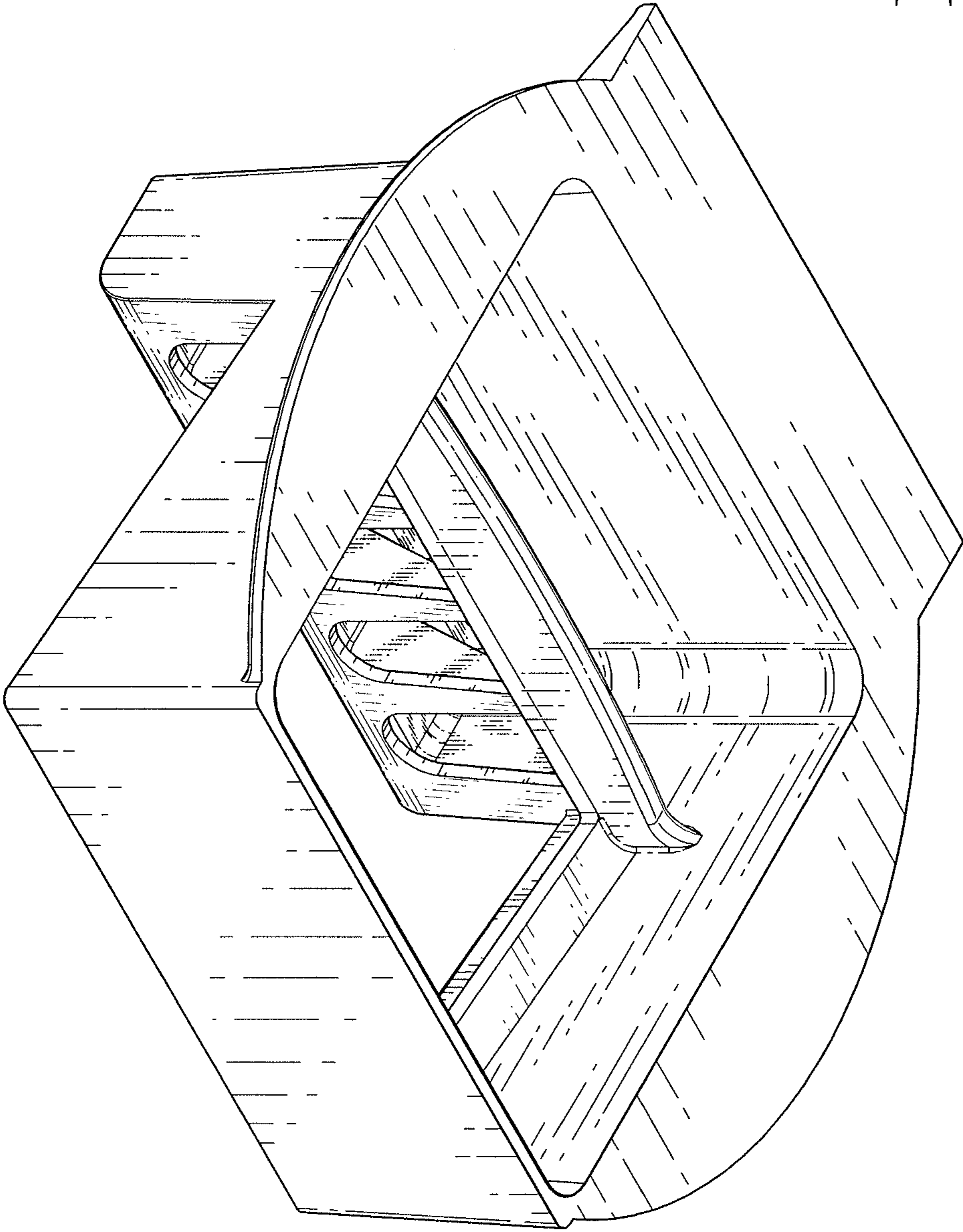


Fig. 2

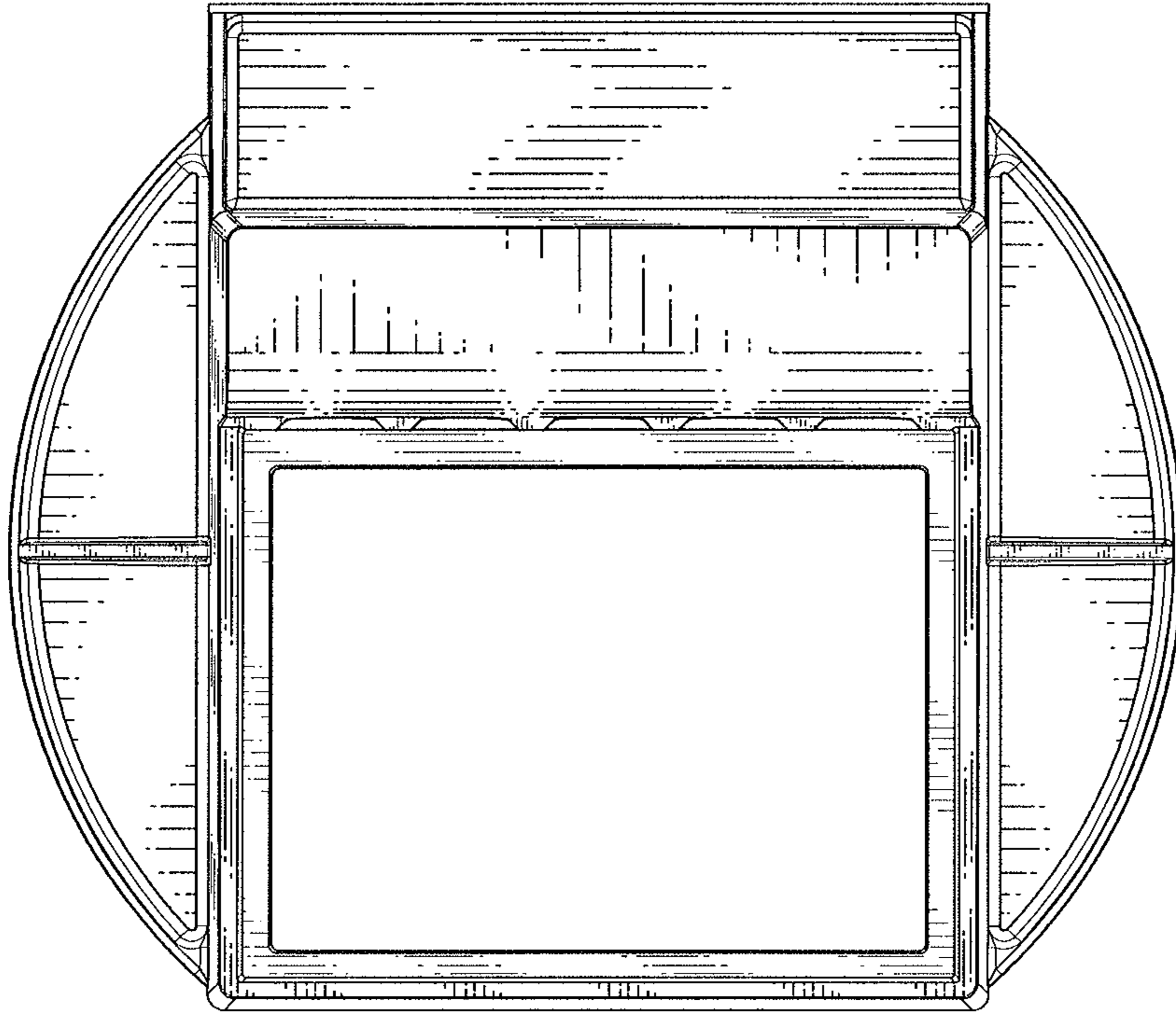


Fig. 3

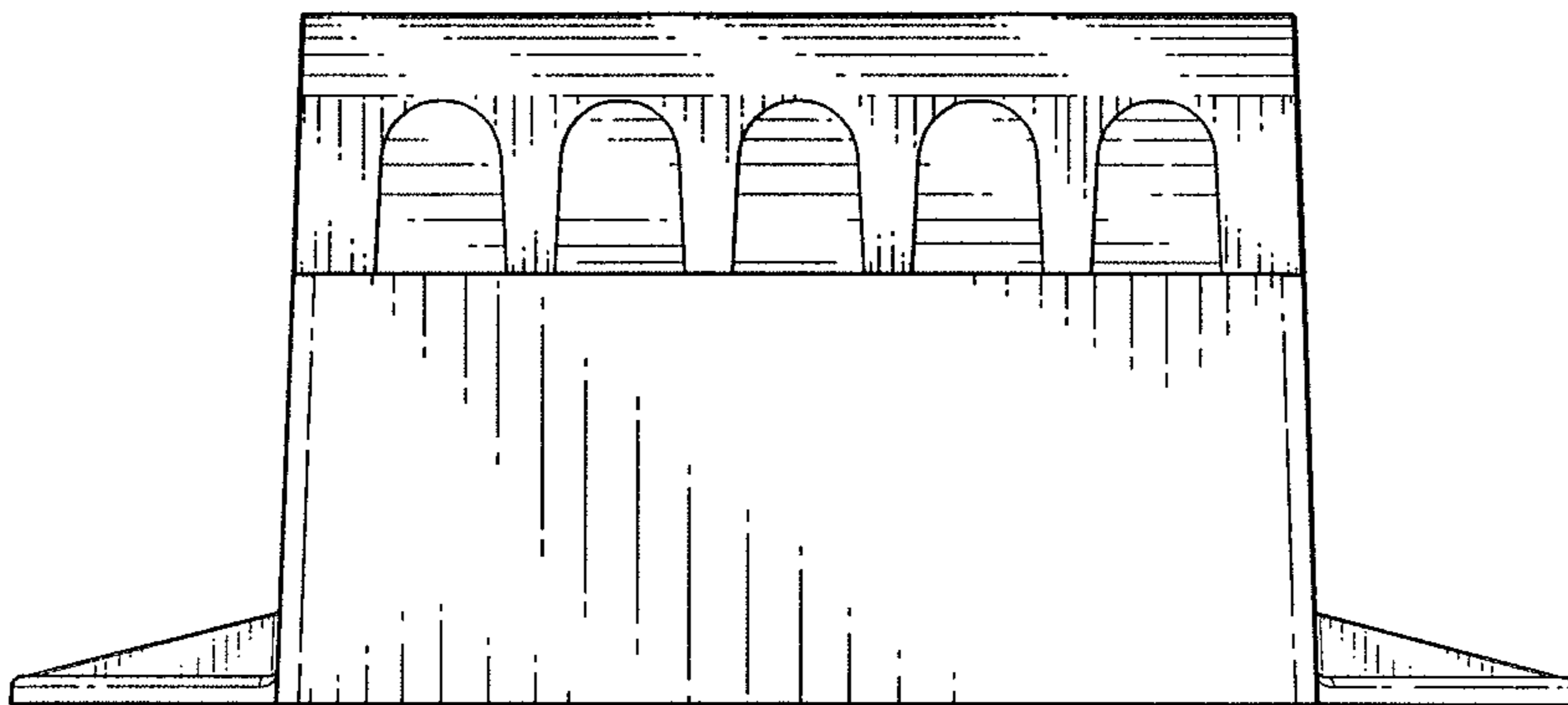


Fig. 4

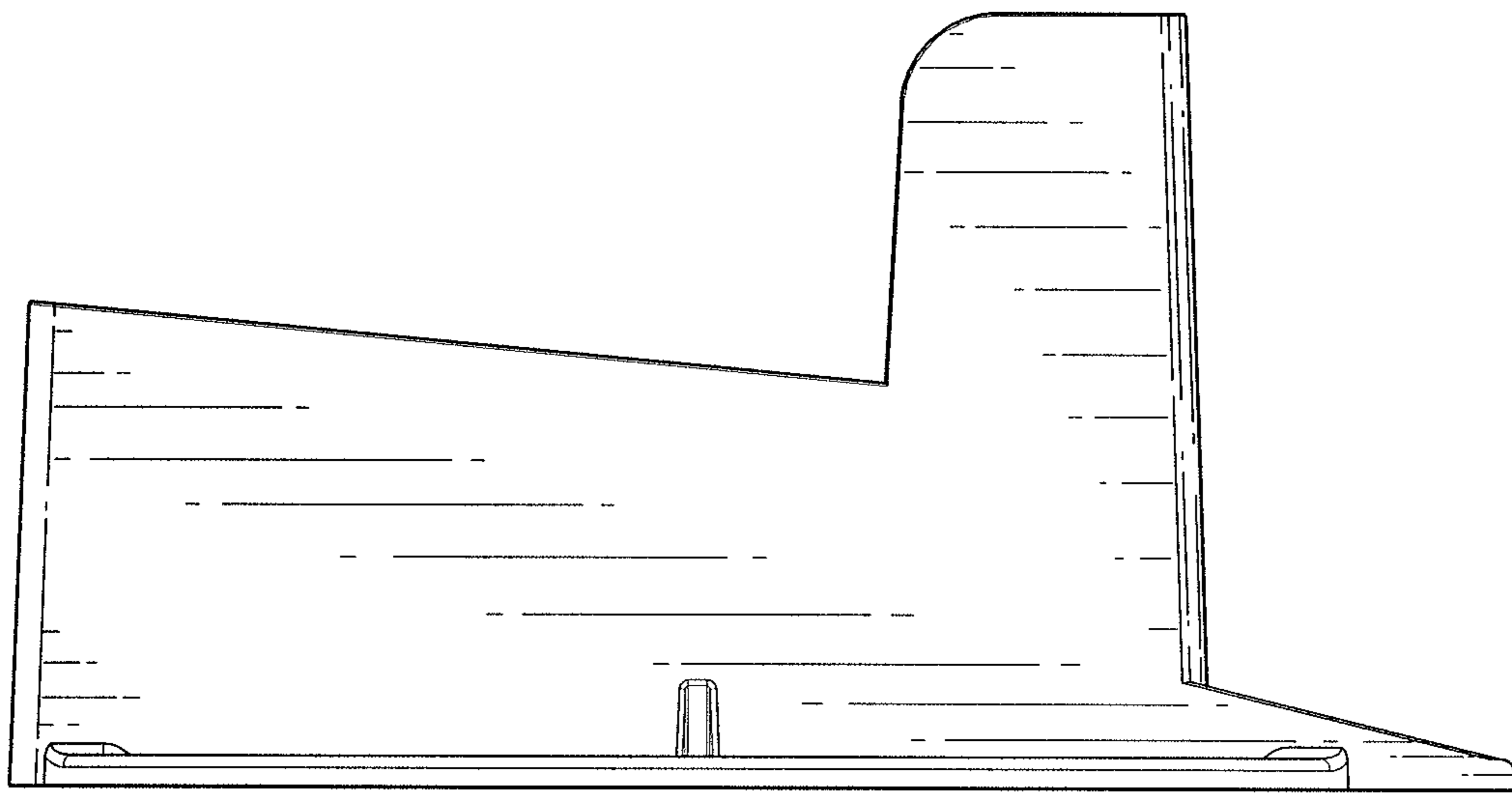


Fig. 5

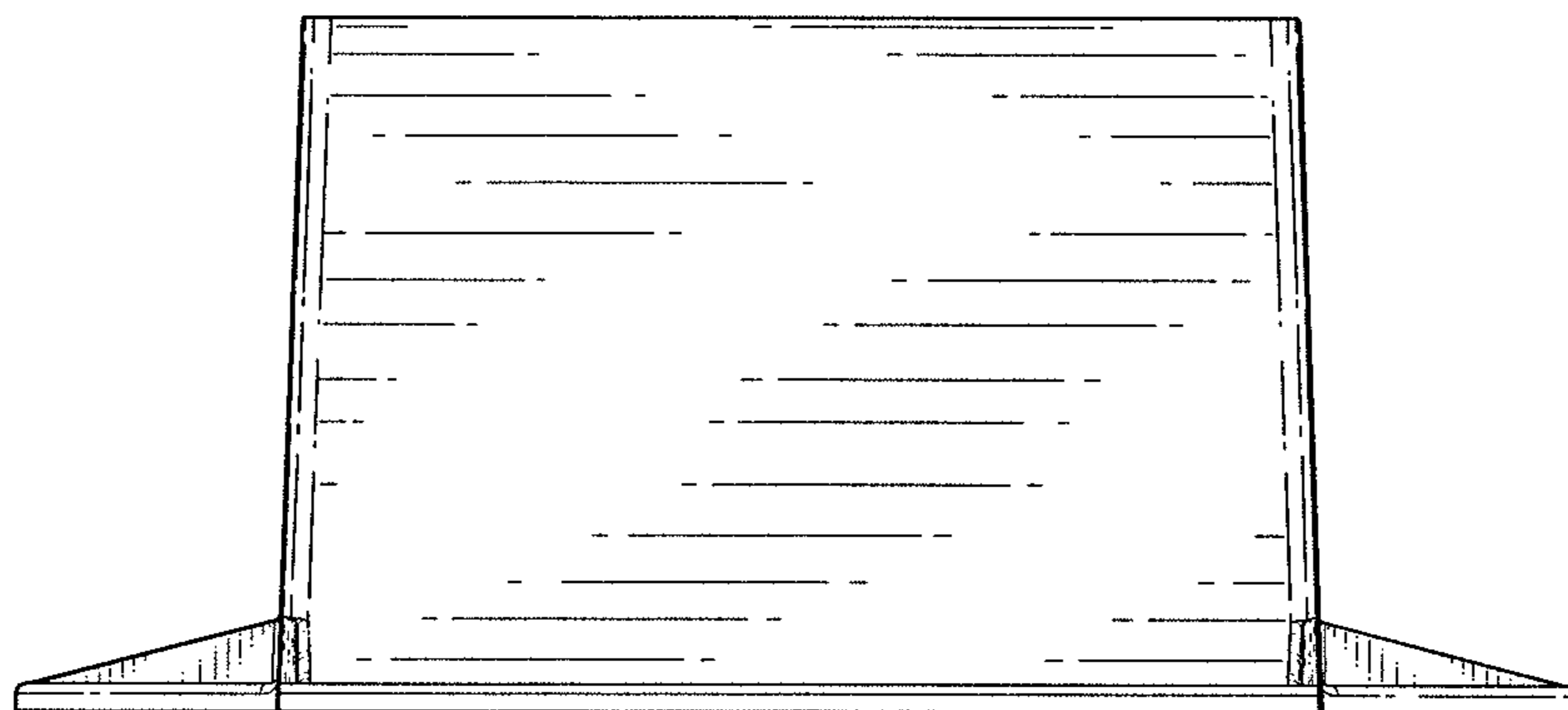


Fig. 6

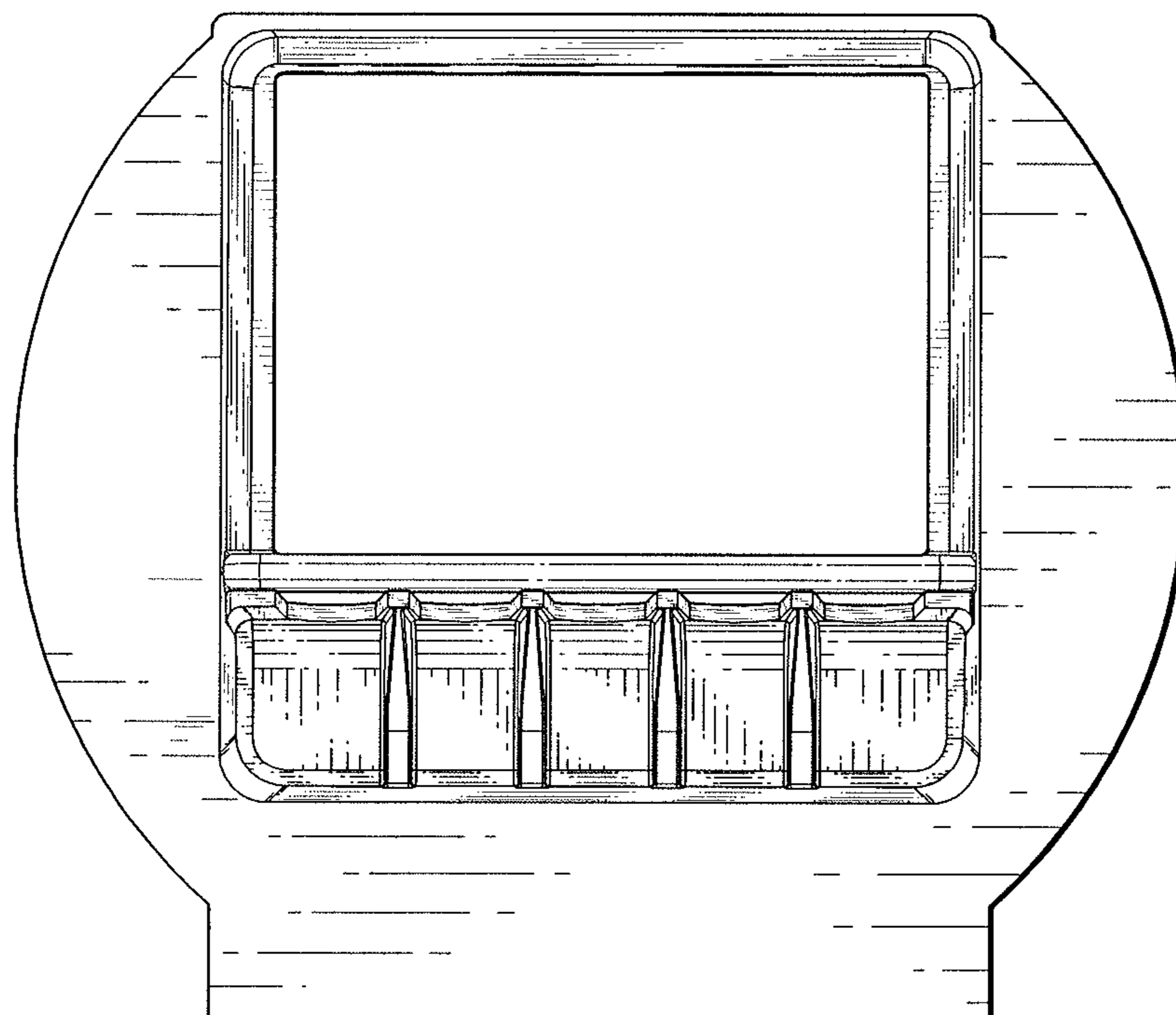


Fig. 7