



US00D682441S

(12) **United States Design Patent**
Kim

(10) **Patent No.:** **US D682,441 S**

(45) **Date of Patent:** **** May 14, 2013**

(54) **BLOOD TEST MACHINE**

(75) Inventor: **Jung-Hoon Kim**, Seoul (KR)

(73) Assignee: **Samsung Electronics Co., Ltd.**,
Suwon-si (KR)

(**) Term: **14 Years**

(21) Appl. No.: **29/422,863**

(22) Filed: **May 24, 2012**

(30) **Foreign Application Priority Data**

Dec. 30, 2011 (KR) 30-2011-0056553

(51) **LOC (9) Cl.** **24-01**

(52) **U.S. Cl.**
USPC **D24/216**

(58) **Field of Classification Search** D24/216,
D24/217, 219, 223–226, 231, 232, 107, 169,
D24/186; D10/81; 422/500, 547, 62–65,
422/67; 435/287.1, 287.3; 436/43, 45, 47
See application file for complete search history.

(56) **References Cited**

U.S. PATENT DOCUMENTS

D323,895 S *	2/1992	Protzmann	D24/216
D381,749 S *	7/1997	Lawrence et al.	D24/169
D424,956 S *	5/2000	von Buelow et al.	D10/81
D482,796 S *	11/2003	Oyama et al.	D24/232
D535,403 S *	1/2007	Isozaki et al.	D24/232
D549,827 S *	8/2007	Maeno et al.	D24/169

D554,551 S *	11/2007	Ouchi et al.	D10/81
D641,477 S *	7/2011	Boessneck et al.	D24/169
D655,824 S *	3/2012	Tsutsumida et al.	D24/216
D670,402 S *	11/2012	Shibata	D24/216
D671,227 S *	11/2012	Parker et al.	D24/216
2011/0269239 A1*	11/2011	Diessel et al.	436/43

* cited by examiner

Primary Examiner — Anhdao Doan

(74) *Attorney, Agent, or Firm* — NSIP Law

(57) **CLAIM**

The ornamental design for a blood test machine, as shown and described.

DESCRIPTION

FIG. 1 is a front perspective view of a blood test machine; FIG. 2 is a front view of the blood test machine of FIG. 1; FIG. 3 is a rear view of the blood test machine of FIG. 1; FIG. 4 is a left-side view of the blood test machine of FIG. 1; FIG. 5 is a right-side view of the blood test machine of FIG. 1; FIG. 6 is a top plan view of the blood test machine of FIG. 1; FIG. 7 is a bottom plan view of the blood test machine of FIG. 1; and, FIG. 8 is an enlarged partial view of the front perspective view of the blood test machine of FIG. 1.

Features shown in broken lines in FIGS. 2, 3, 4, 5, and 7 form no part of the claimed design.

1 Claim, 8 Drawing Sheets

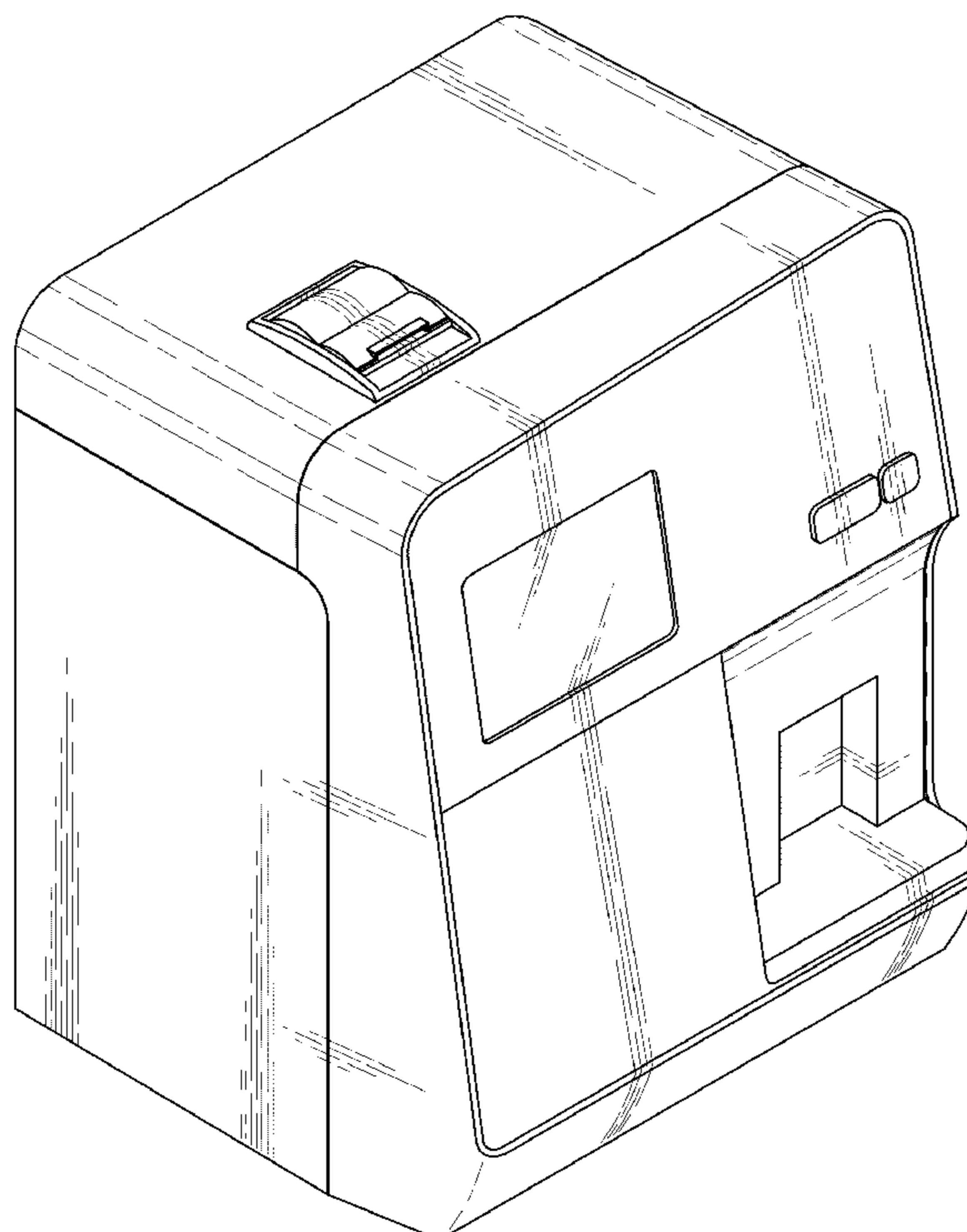


FIG. 1

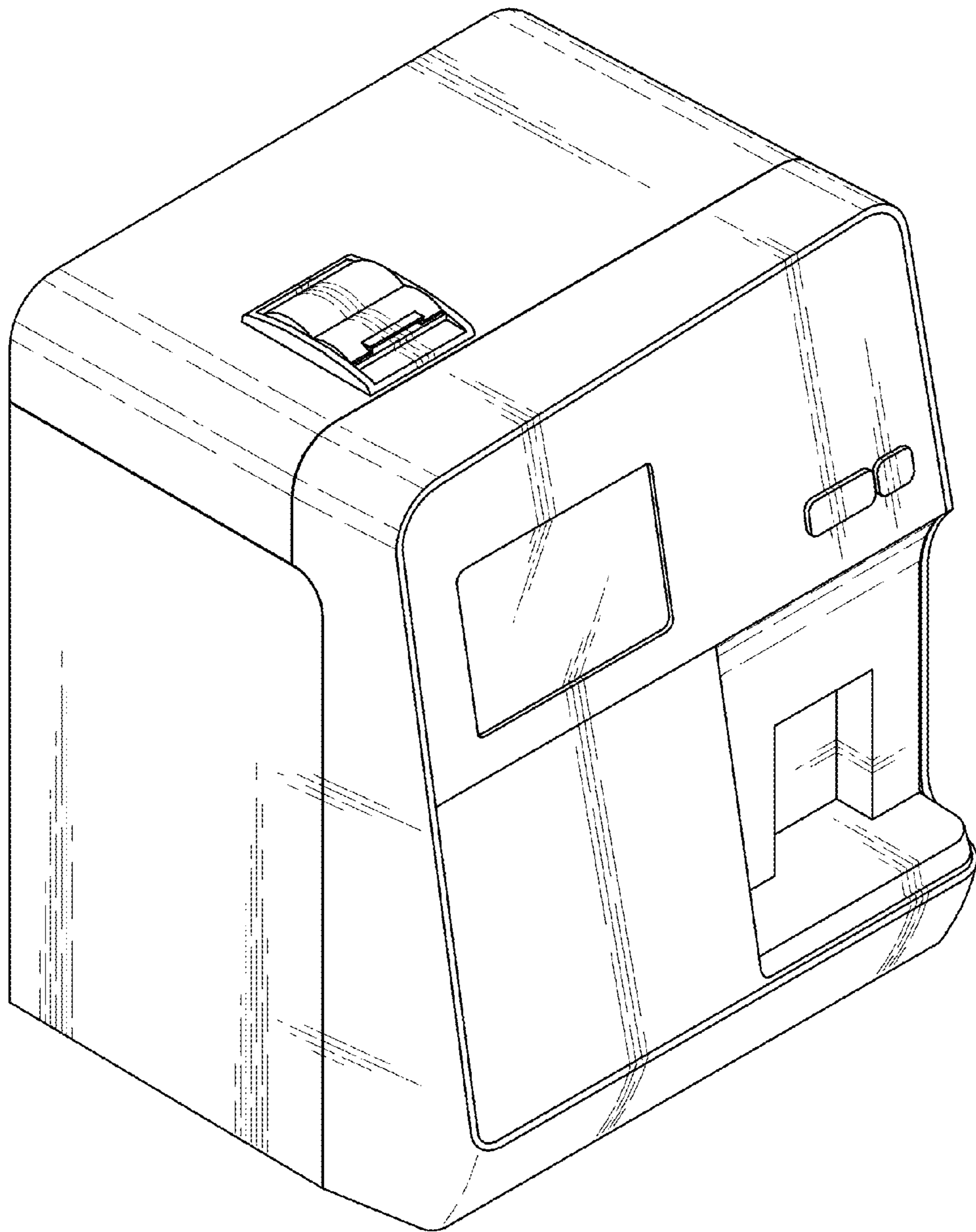


FIG. 2

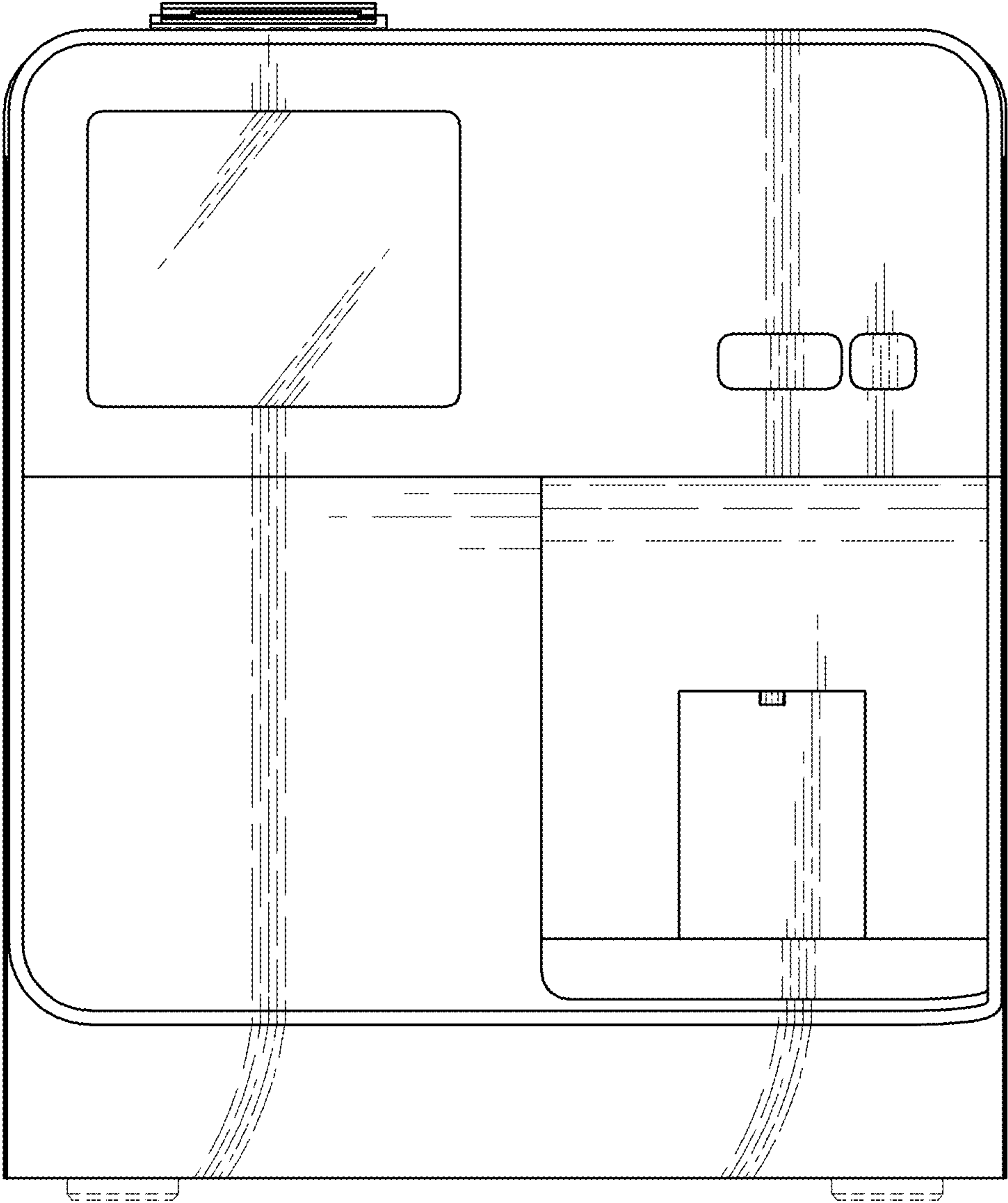


FIG. 3

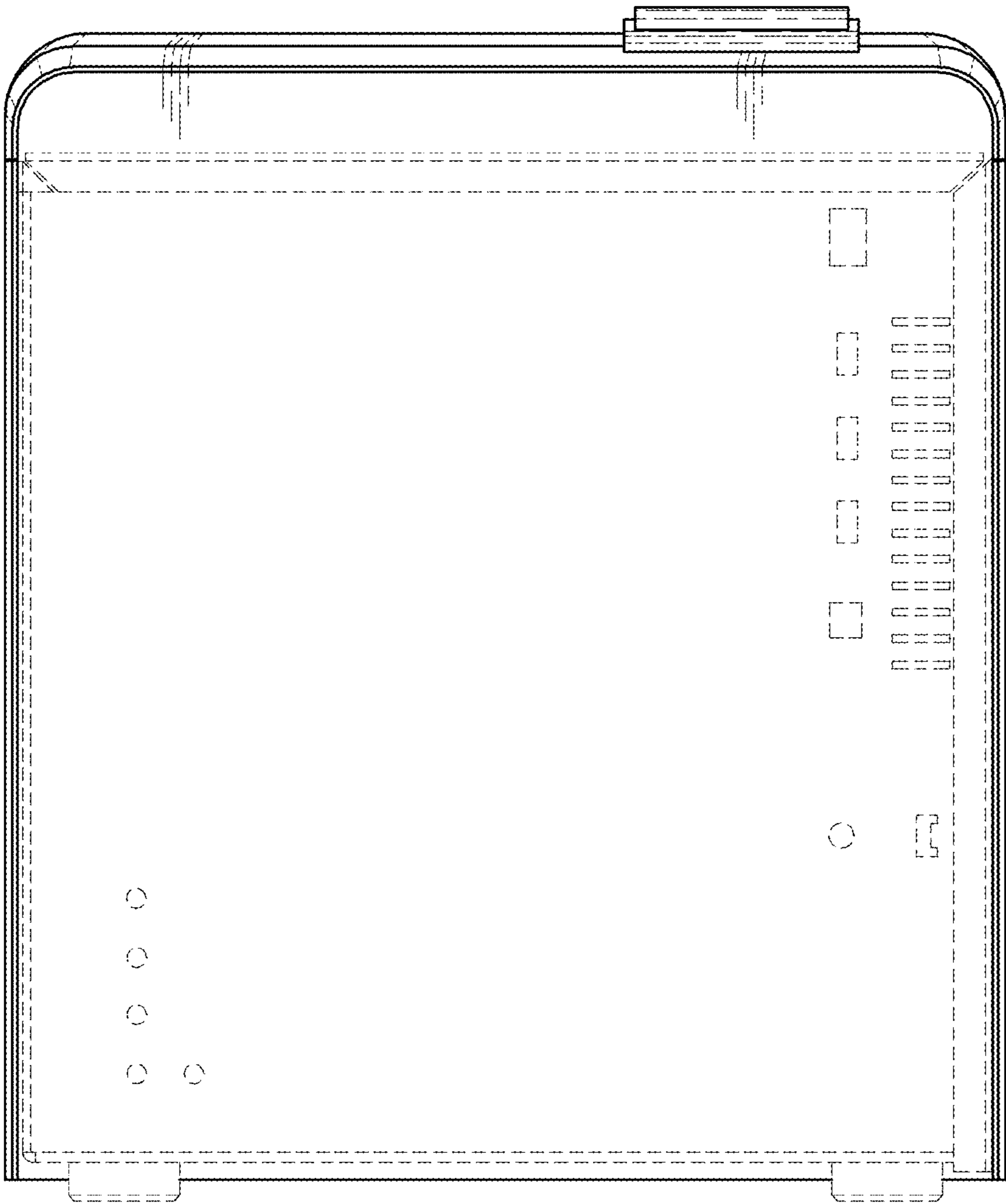


FIG. 4

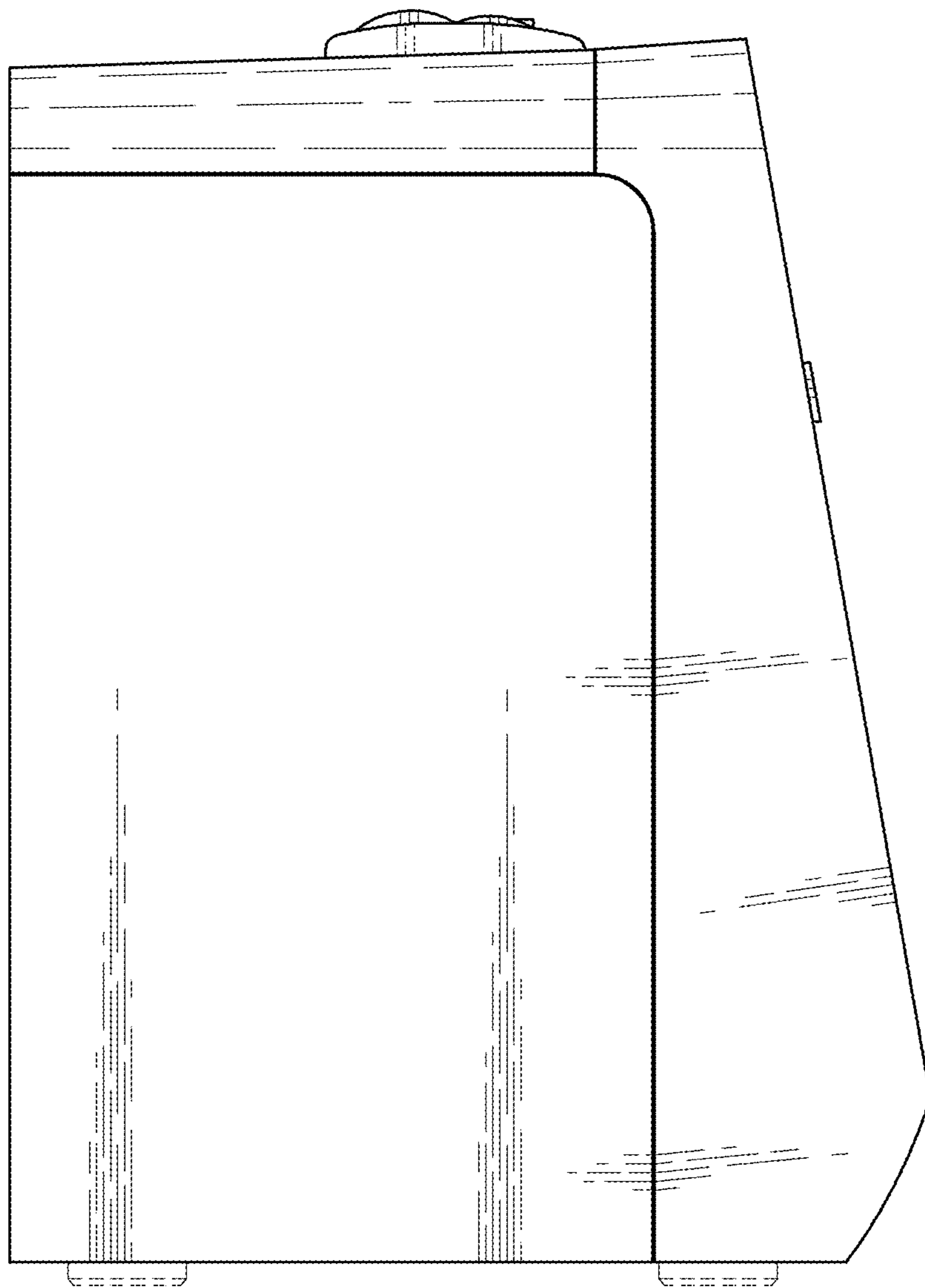


FIG. 5

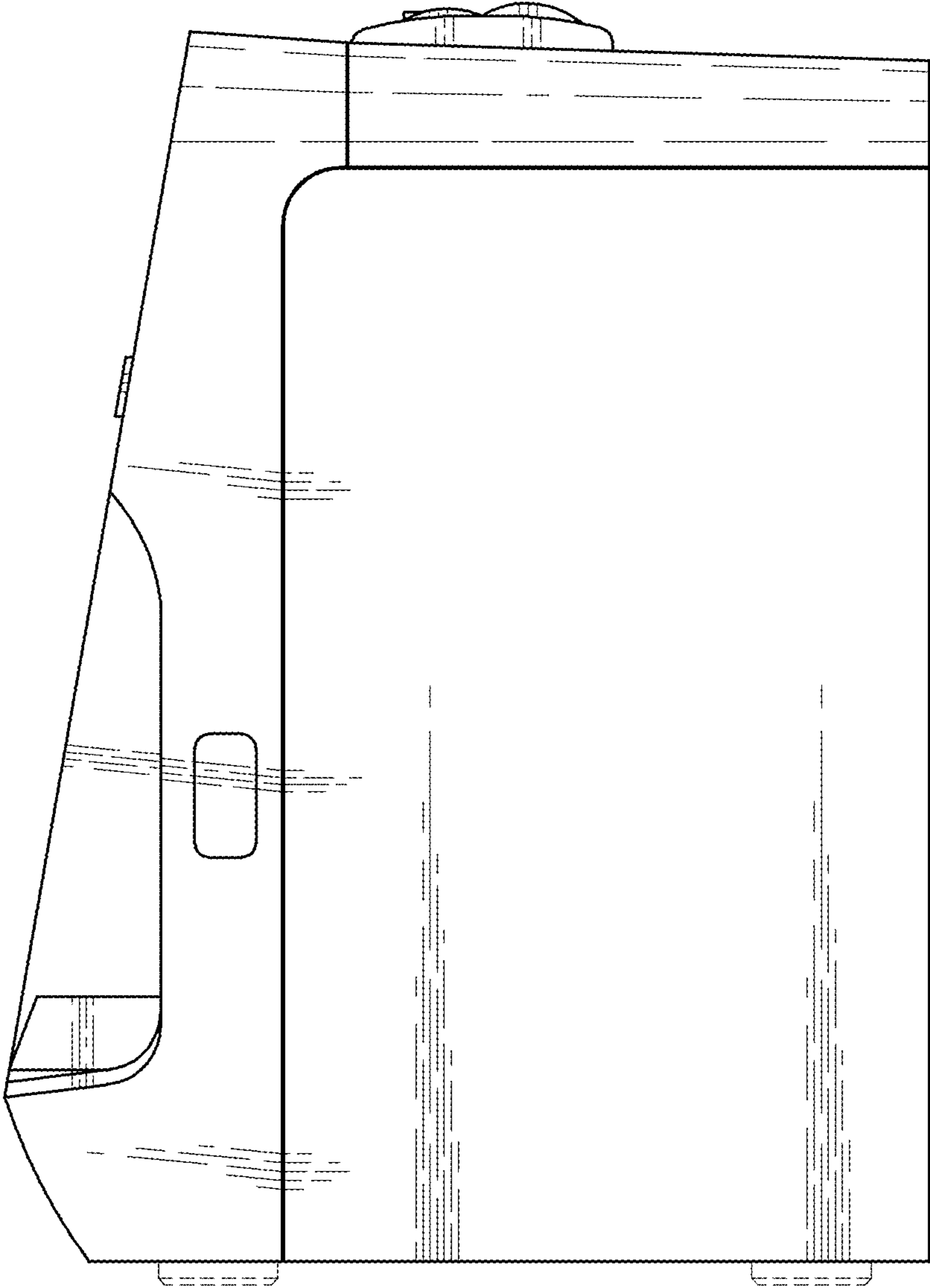


FIG. 6

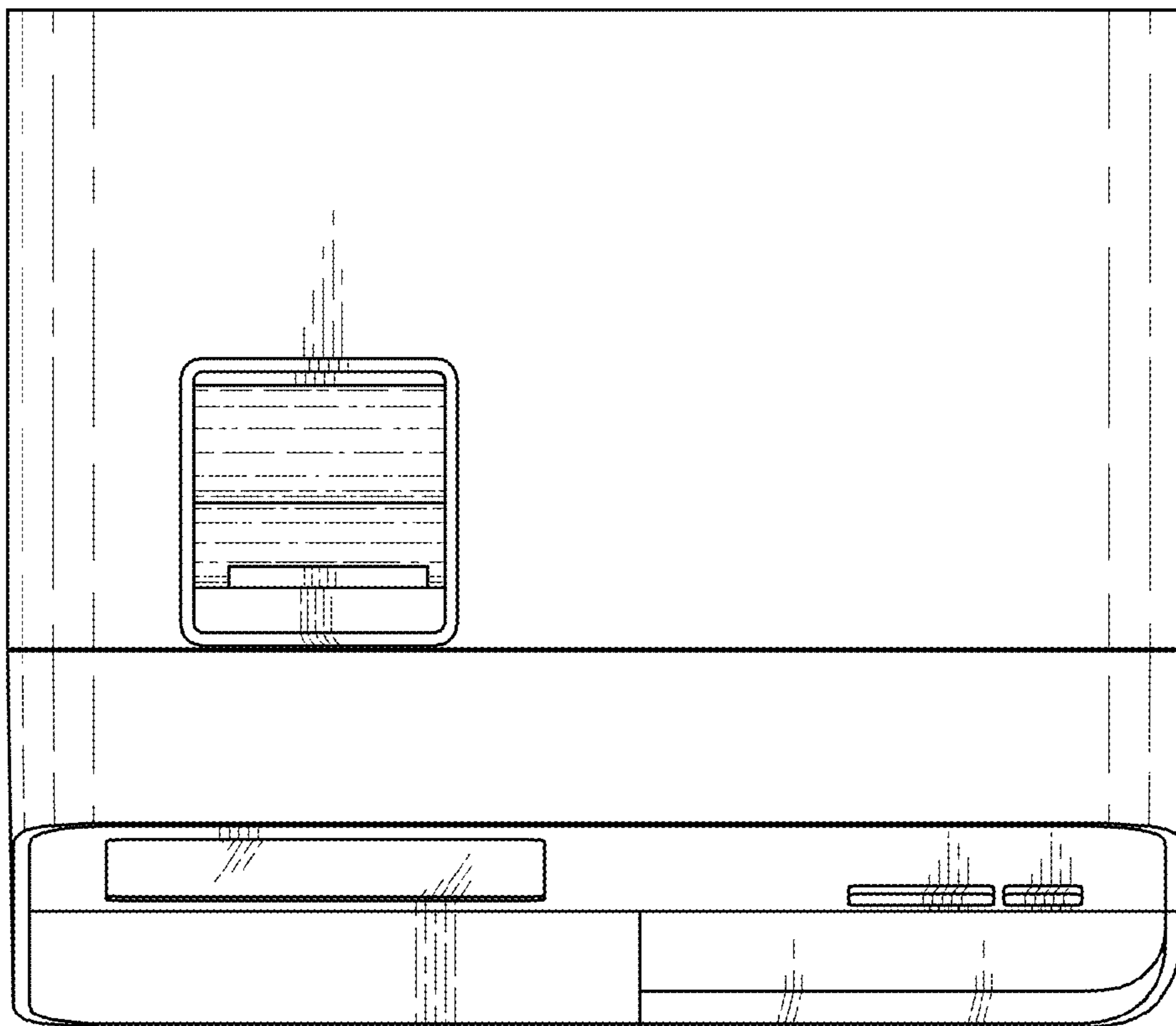


FIG. 7

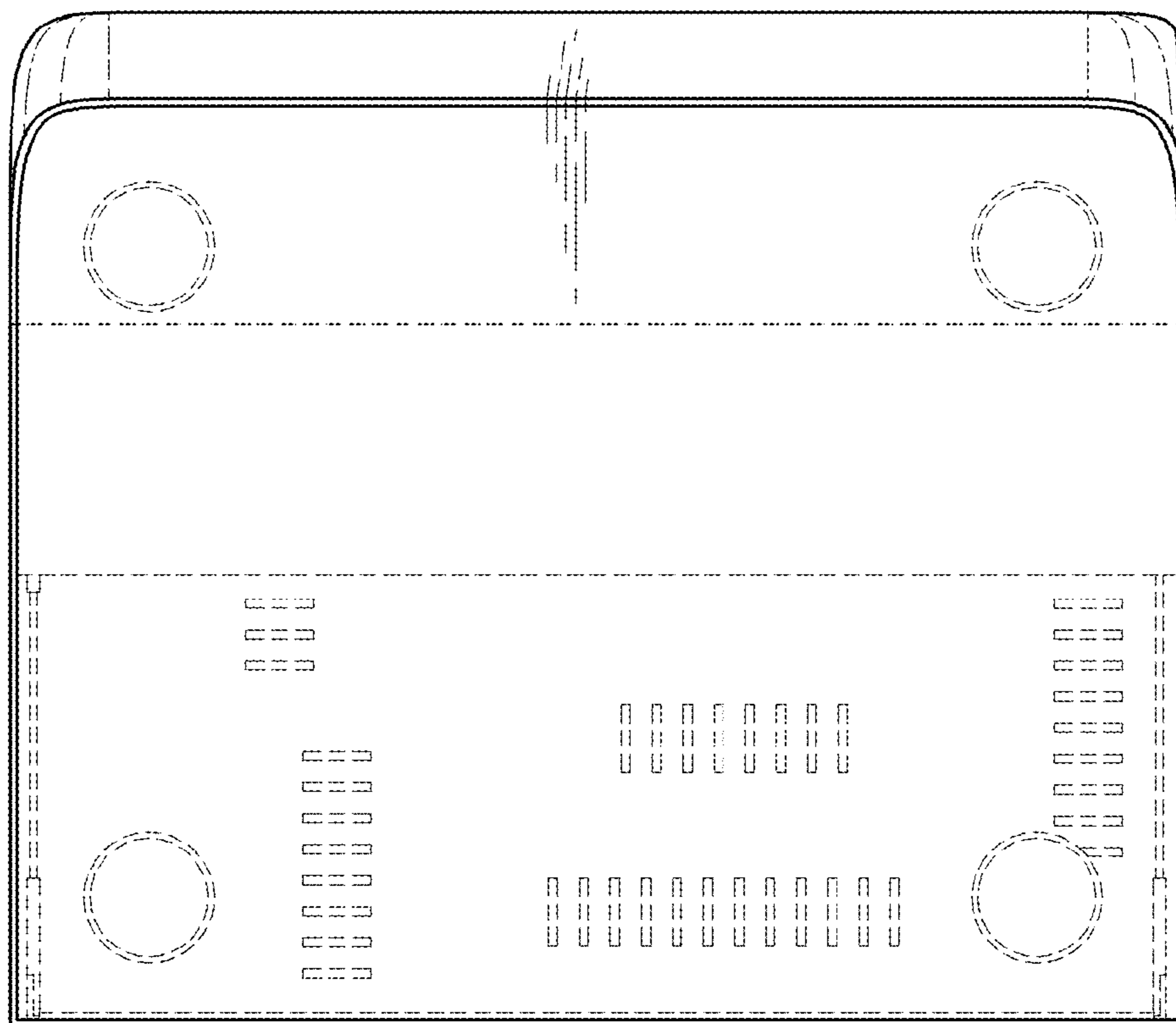


FIG. 8

