



US00D682436S

(12) **United States Design Patent**
Lowsky

(10) **Patent No.:** **US D682,436 S**

(45) **Date of Patent:** **** May 14, 2013**

(54) **ORAL-MOTOR THERAPY DEVICE**

(75) **Inventor:** **Evan D. Lowsky**, Columbia, SC (US)

(73) **Assignee:** **ARK Therapeutic Services, Inc.**,
Lugoff, SC (US)

(**) **Term:** **14 Years**

(21) **Appl. No.:** **29/422,930**

(22) **Filed:** **May 25, 2012**

(51) **LOC (9) Cl.** **24-04**

(52) **U.S. Cl.**
USPC **D24/194**; D24/193

(58) **Field of Classification Search** D24/115,
D24/117, 193-196, 199, 200, 211, 214;
606/234-236; 215/11.1-11.6; D30/160;
604/77; 119/707, 710, 711; 24/3.1, 3.4,
24/3.13, 301; D21/659, 660, 661
See application file for complete search history.

(56) **References Cited**

U.S. PATENT DOCUMENTS

58,186	A *	9/1866	Bourguard	604/93.01
D170,051	S *	7/1953	Colm	D24/194
4,378,007	A *	3/1983	Kachadourian	601/121
D270,664	S *	9/1983	Greenberg et al.	D24/194
D273,990	S *	5/1984	Lamsam	D24/194
D331,517	S *	12/1992	Warner	D6/580
D336,520	S *	6/1993	McDaniel	D24/194
5,263,976	A *	11/1993	Williams	606/235
D383,307	S *	9/1997	Klein et al.	D4/105
D453,242	S *	1/2002	Kaplan	D30/160
D461,558	S *	8/2002	Schiavoni	D24/176
6,863,681	B2 *	3/2005	Dickerson	606/235
D522,658	S *	6/2006	Schiavoni	D24/194
D539,430	S	3/2007	Lowsky, Jr. et al.	

D542,541	S	5/2007	Lowsky, Jr.	
D552,745	S *	10/2007	Beckman	D24/194
D584,823	S *	1/2009	Conlon	D24/194
D584,864	S *	1/2009	Matthews	D30/160
D660,450	S *	5/2012	Johnson	D24/215
D674,107	S *	1/2013	Prudent et al.	D24/211
2005/0085749	A1 *	4/2005	Baerwalde et al.	601/15

OTHER PUBLICATIONS

Catalog excerpt from ARK Therapeutic Services, Inc., Speech Therapy Tools and Other Healthcare Products Catalog 2011-2012.

* cited by examiner

Primary Examiner — Susan E Krakower

(74) *Attorney, Agent, or Firm* — Nelson, Mullins, Riley & Scarborough LLP

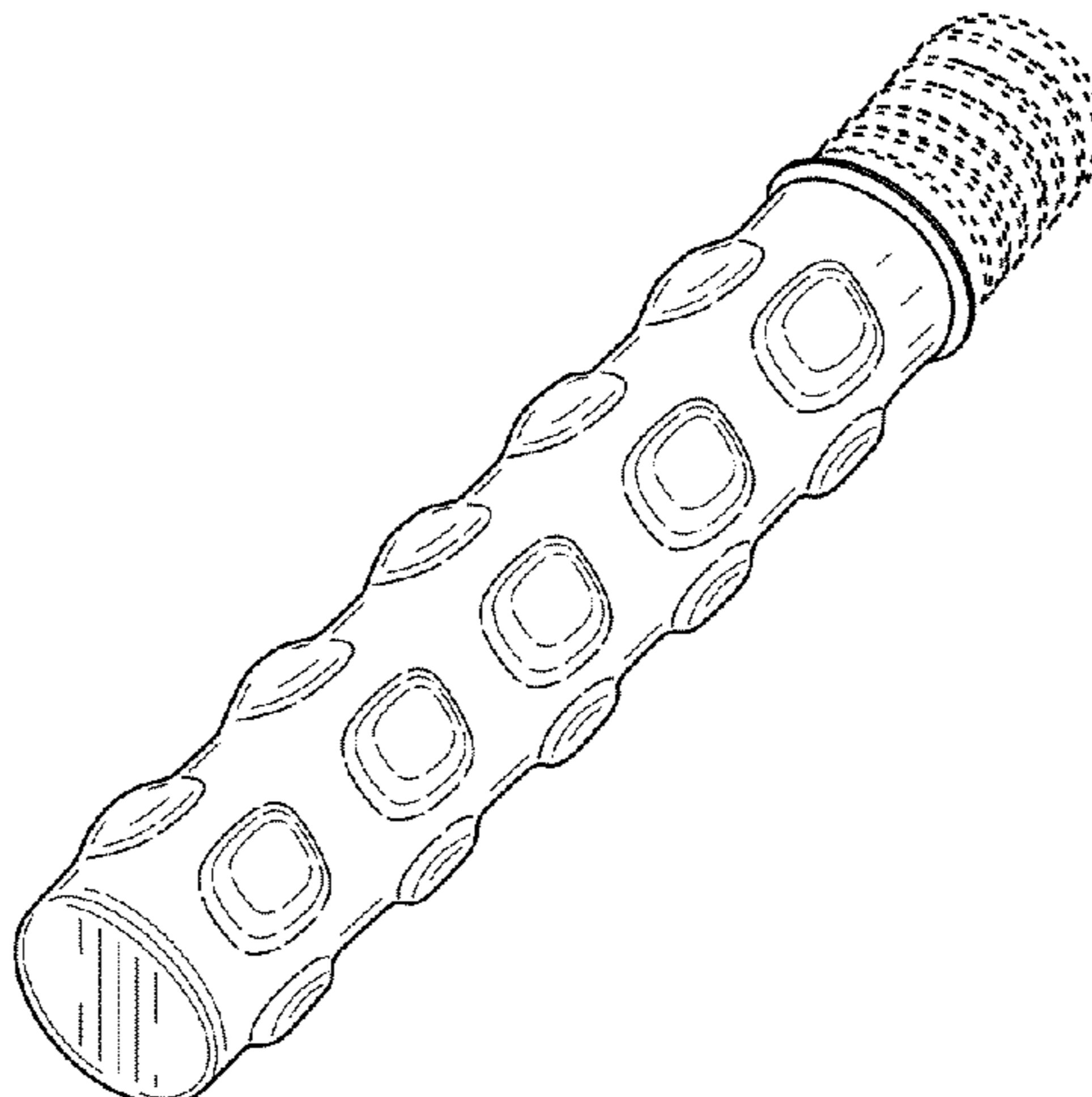
(57) **CLAIM**

The ornamental design for an oral-motor therapy device, as shown and described.

DESCRIPTION

FIG. 1 is a front perspective view of a new, original, and ornamental design of an oral-motor therapy device in accordance with the present invention;
FIG. 2 is a top plan view thereof;
FIG. 3 is a right side elevation view thereof;
FIG. 4 is a left side elevation view thereof;
FIG. 5 is a bottom side plan view thereof;
FIG. 6 is a front side elevation view thereof; and,
FIG. 7 is a back side elevation view thereof.
The broken lines illustrate portions of the oral-motor therapy device which form no part of the claimed design.

1 Claim, 6 Drawing Sheets



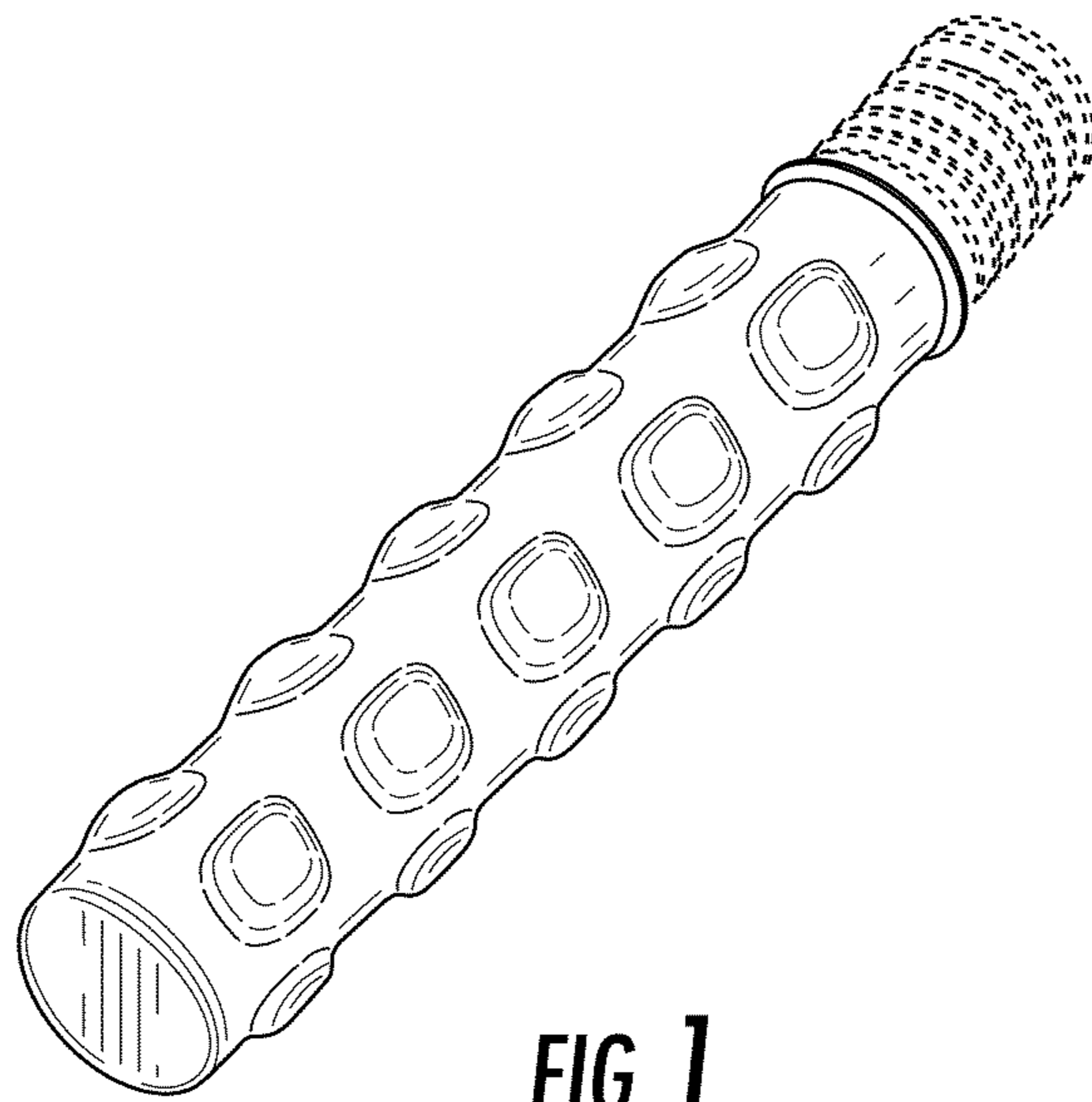


FIG. 1

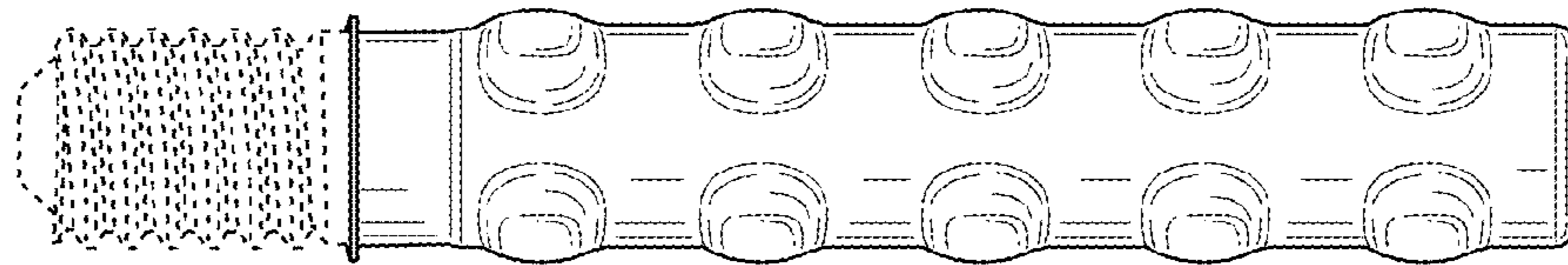


FIG. 2

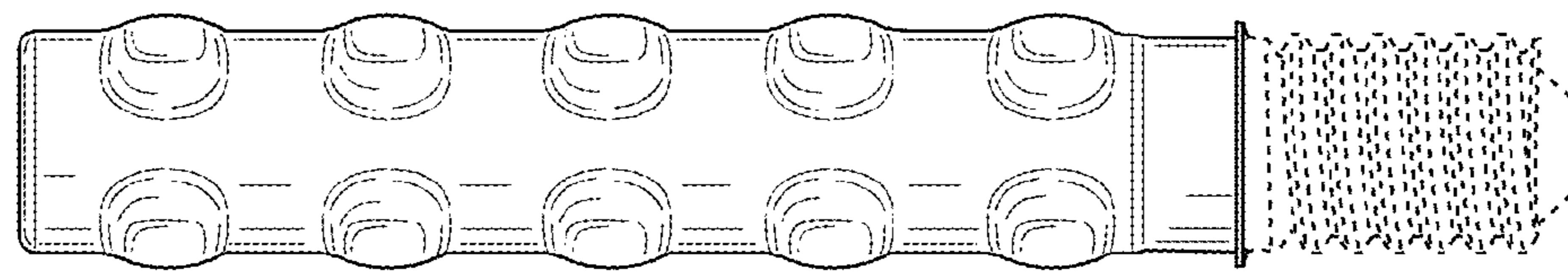


FIG. 3

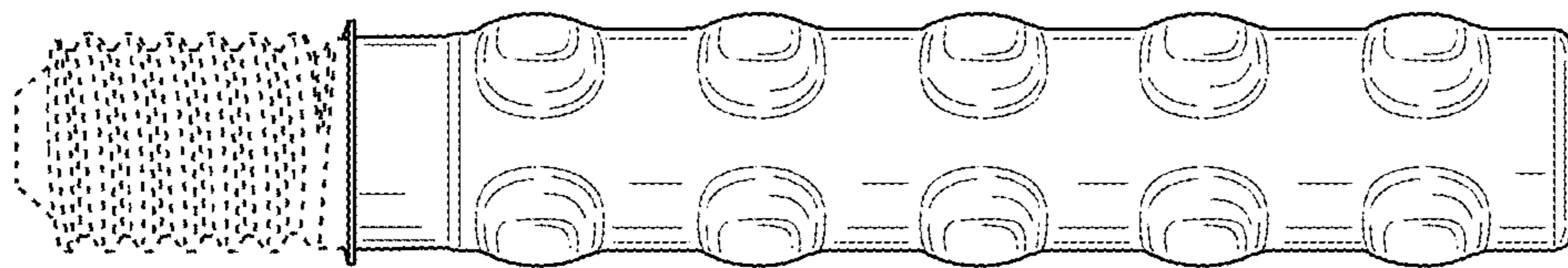


FIG. 4

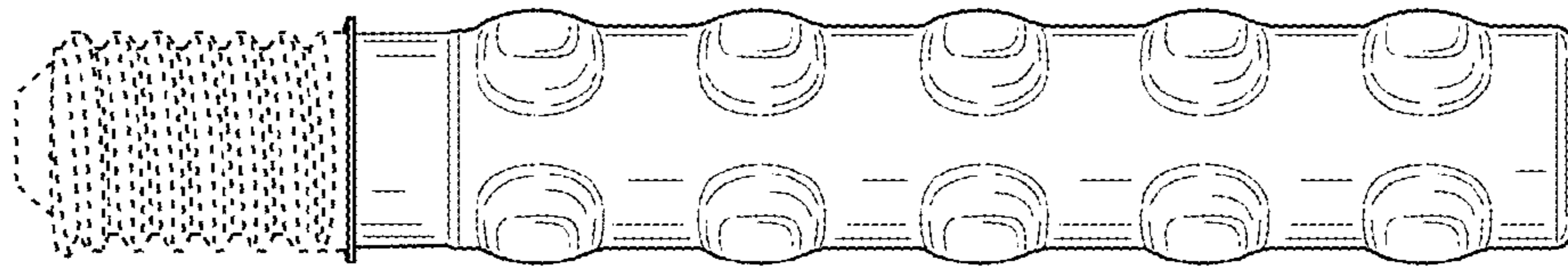


FIG. 5

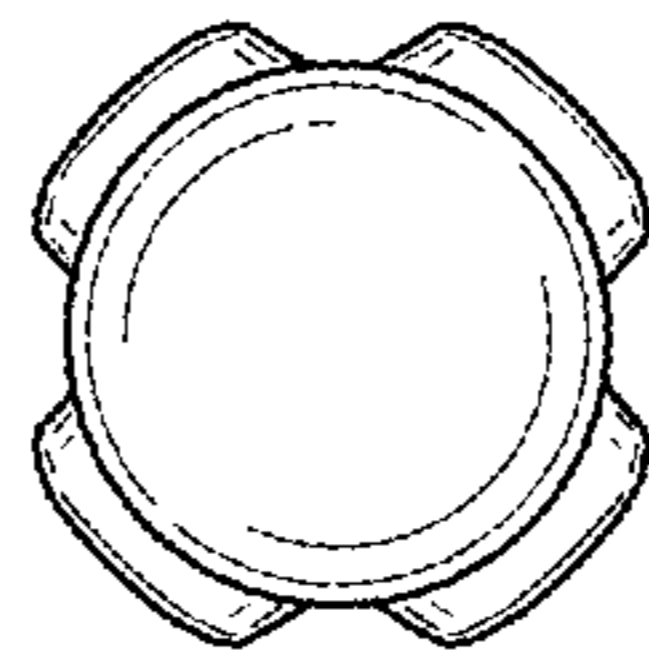


FIG. 6

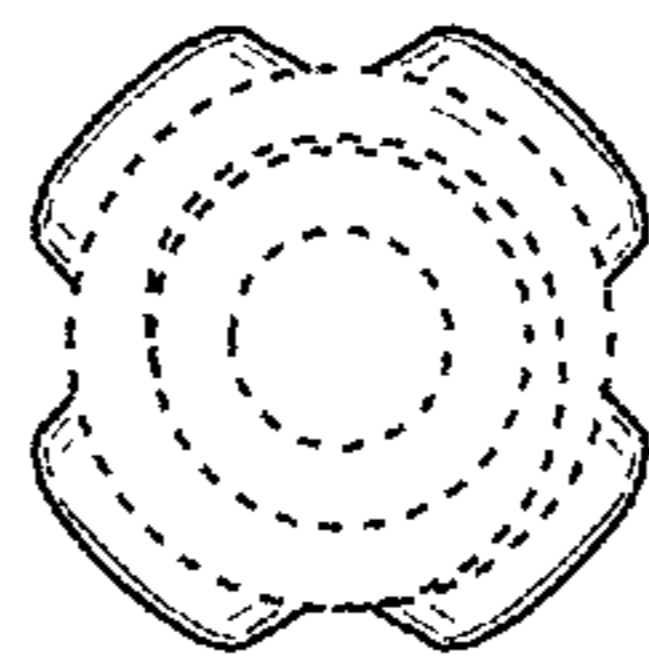


FIG. 7