



US00D682430S

(12) **United States Design Patent**  
**Kasic, II et al.**

(10) **Patent No.:** **US D682,430 S**

(45) **Date of Patent:** **\*\* May 14, 2013**

(54) **MAGNETIC ATTACHMENT MECHANISM FOR BONE CONDUCTION HEARING DEVICE**

2006/0015155	A1 *	1/2006	Charvin et al. ....	607/57
2007/0053536	A1	3/2007	Westerkull	
2009/0187233	A1 *	7/2009	Stracener .....	607/57
2011/0257571	A1 *	10/2011	Fritsch et al. ....	602/46
2012/0080039	A1	4/2012	Siegert	

(75) Inventors: **James F. Kasic, II**, Boulder, CO (US);  
**Nicholas F. Pergola**, Arvada, CO (US);  
**William J. Simms**, Boulder, CO (US)

**FOREIGN PATENT DOCUMENTS**

DE	4027681	3/1991
DE	29511772	1/1996
DE	20314005	2/2004
DE	202004006117	8/2004

(73) Assignee: **Sophonon, Inc.**, Boulder, CO (US)

(Continued)

(\*\*) Term: **14 Years**

**OTHER PUBLICATIONS**

(21) Appl. No.: **29/417,710**

International Search Report corresponding to International Application No. PCT/DE2010/000281, mailed Oct. 4, 2010 (English and German).

(22) Filed: **Apr. 6, 2012**

(Continued)

(51) **LOC (9) Cl.** ..... **24-99**

(52) **U.S. Cl.**  
USPC ..... **D24/174**

(58) **Field of Classification Search** ..... D24/173-175,  
D24/151, 155; 600/25; 623/110, 11; 181/126,  
181/129; 607/55-57

See application file for complete search history.

*Primary Examiner* — Anhdao Doan

(74) *Attorney, Agent, or Firm* — Lathrop & Gage LLP

(56) **References Cited**

(57) **CLAIM**

The ornamental design for a magnetic attachment mechanism for bone conduction hearing device, as shown and described.

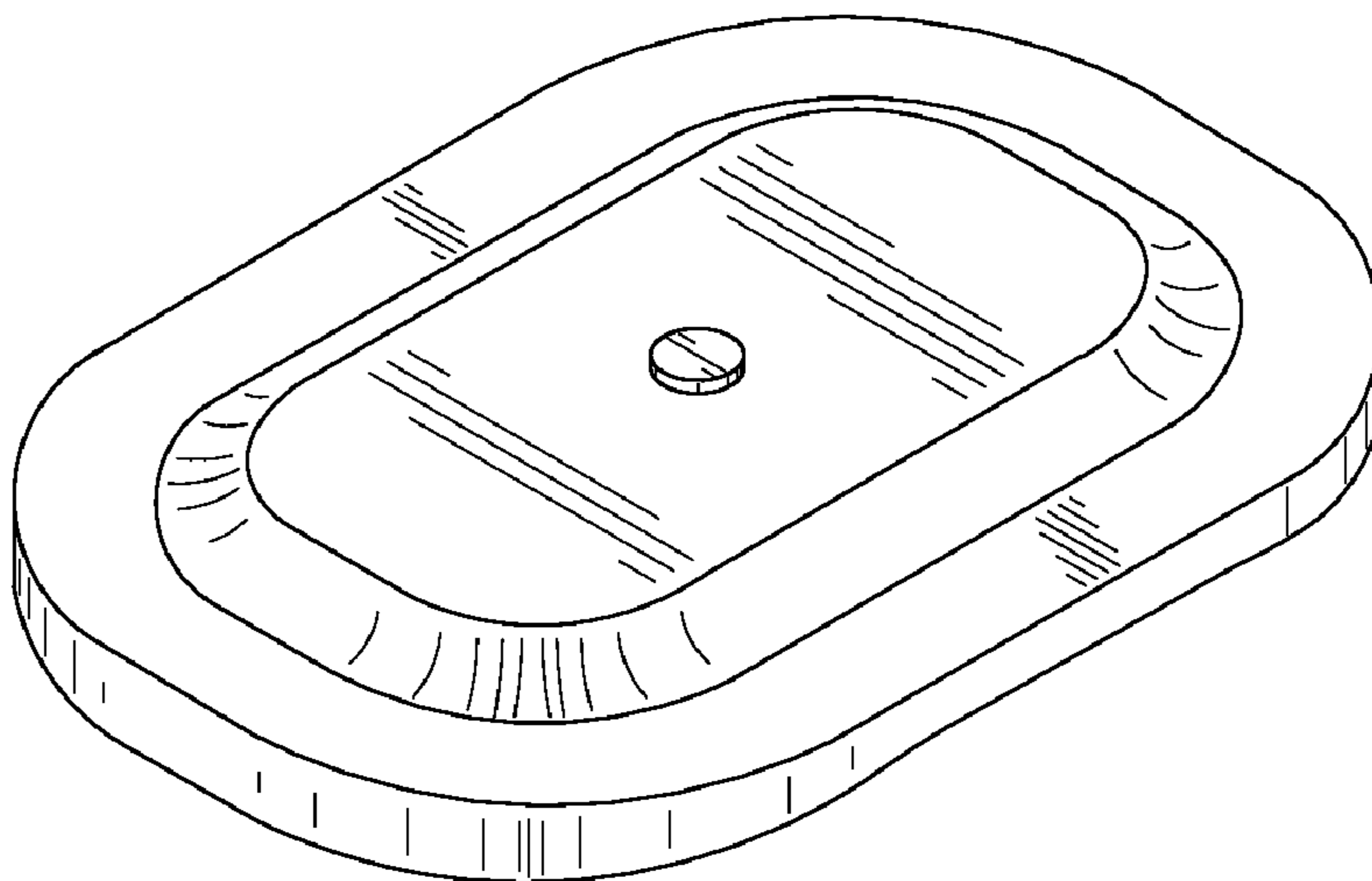
**U.S. PATENT DOCUMENTS**

2,062,372	A *	12/1936	Nicholides .....	381/151
2,225,597	A *	12/1940	Babbitt et al. ....	381/60
2,678,973	A *	5/1954	Newman .....	381/324
4,073,366	A *	2/1978	Estes .....	181/158
4,352,960	A	10/1982	Dormer et al.	
4,736,747	A	4/1988	Drake	
5,161,972	A	11/1992	Matsui et al.	
5,735,790	A	4/1998	Hakansson et al.	
5,741,336	A	4/1998	Fraser	
6,293,903	B1 *	9/2001	Kasic et al. ....	600/25
D486,478	S *	2/2004	Swan et al. ....	D14/223
D494,571	S *	8/2004	Polito .....	D14/223
7,021,676	B2	4/2006	Westerkull	
7,160,774	B2	1/2007	Rabkin et al.	
7,198,596	B2	4/2007	Westerkull	
7,386,143	B2	6/2008	Easter	
D605,294	S *	12/2009	Bergstrom .....	D24/174

**DESCRIPTION**

FIG. 1 is a top, front and left perspective view of a magnetic attachment mechanism for bone conduction hearing device, showing my new design;  
FIG. 2 is a top view thereof;  
FIG. 3 is a bottom view thereof;  
FIG. 4 is a left view thereof, the right view is identical to the left view;  
FIG. 5 is an enlarged front view thereof, the rear view is identical to the front view; and,  
FIG. 6 is a left, bottom and front perspective view thereof.

**1 Claim, 2 Drawing Sheets**



# US D682,430 S

Page 2

---

FOREIGN PATENT DOCUMENTS		
DE	202004008719	10/2004
DE	202005015619	1/2006
DE	202005015533	3/2006
DE	202005020361	4/2006
DE	202006001563	5/2006
DE	202006004445	6/2006
DE	202005009361	11/2006
DE	102006026288	1/2007
DE	202009003507	7/2009
DE	202009003508	7/2009
DE	202009003509	7/2009
DE	202009005475	7/2009
DE	202009005936	8/2009
DE	202009007401	10/2009
DE	202009007865	10/2009

EP	0755169	1/1997
WO	WO2004034934	4/2004
WO	WO2007024657	3/2007

## OTHER PUBLICATIONS

International Preliminary Report on Patentability, Corresponding to International Application No. PCT/DE2010/000281, issued Nov. 20, 2011.

“Finde die Erdpole mit einer Büroklammer” Jan. 17, 2005, XP002598967, retrieved from the Internet: URL:<http://www.physikfuerkids.de/lab1/versuche/erbbuero/index.html> (German language, drawings).

“Magnetic test kit Instructions for use” 2008, XP002598959 retrieved from the Internet: URL:<http://www.buntingmagnetics.com/content/upload/files/pull-test-kit-manual-1.pdf>.

\* cited by examiner

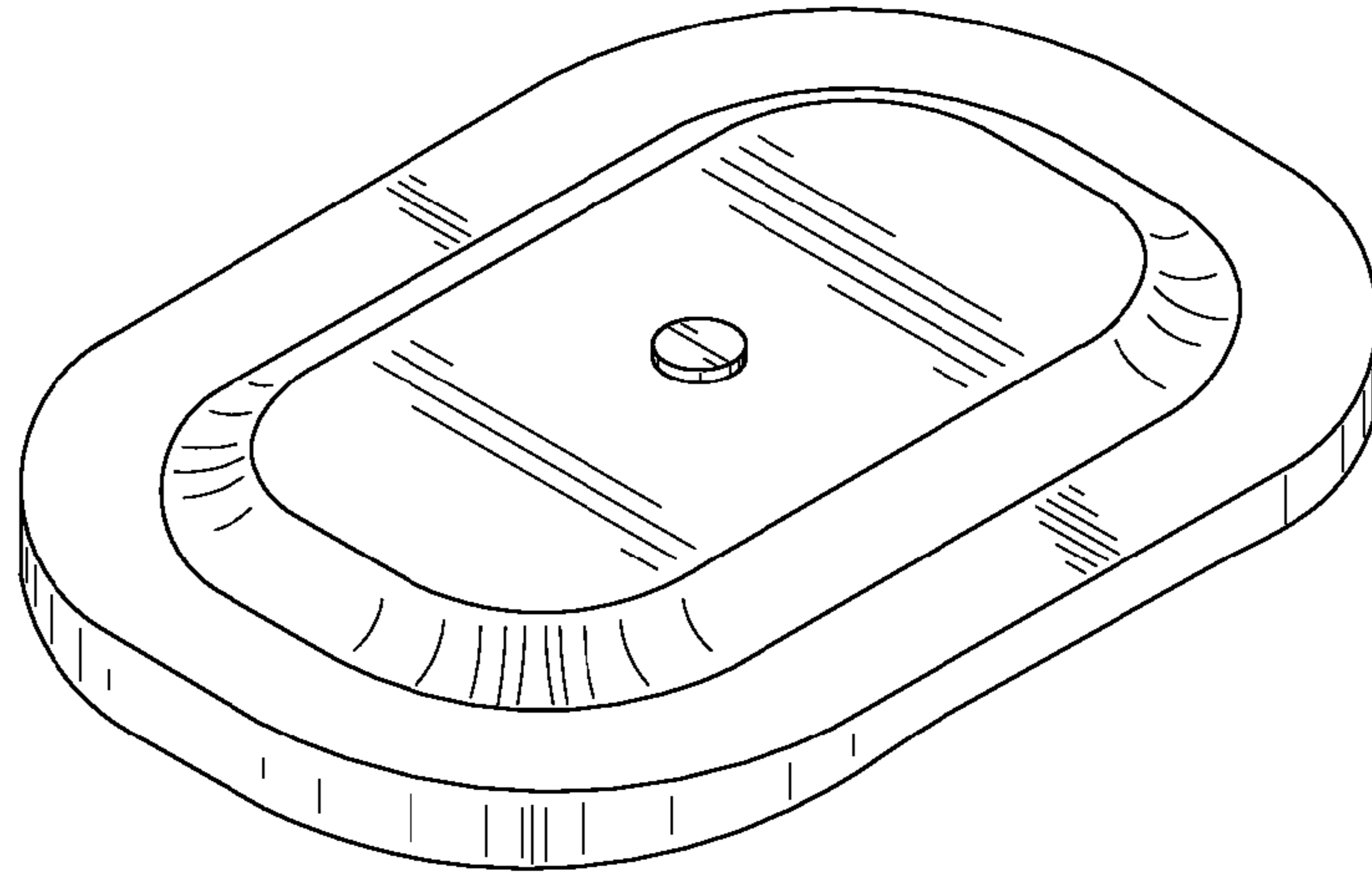


FIG. 1

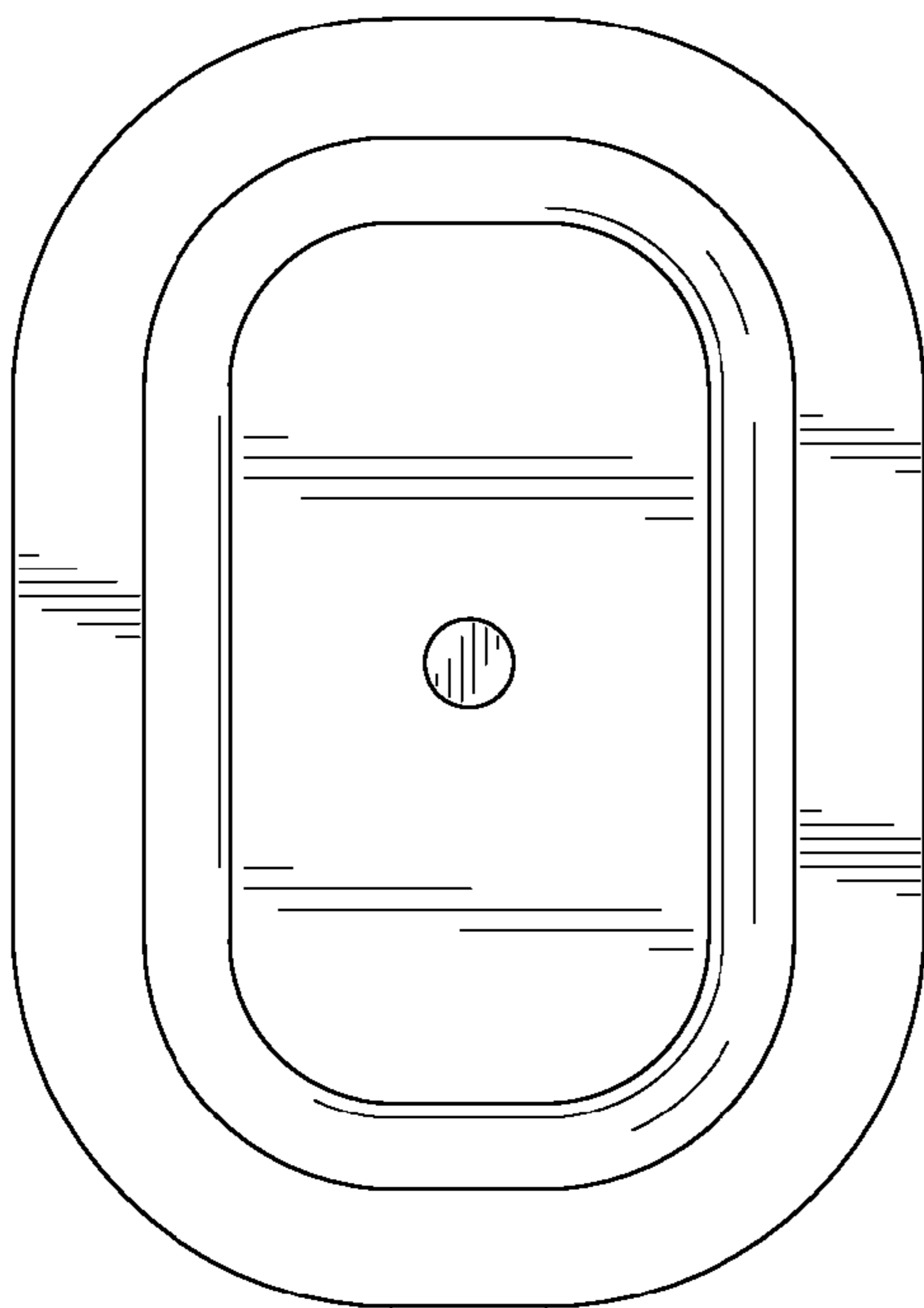


FIG. 2

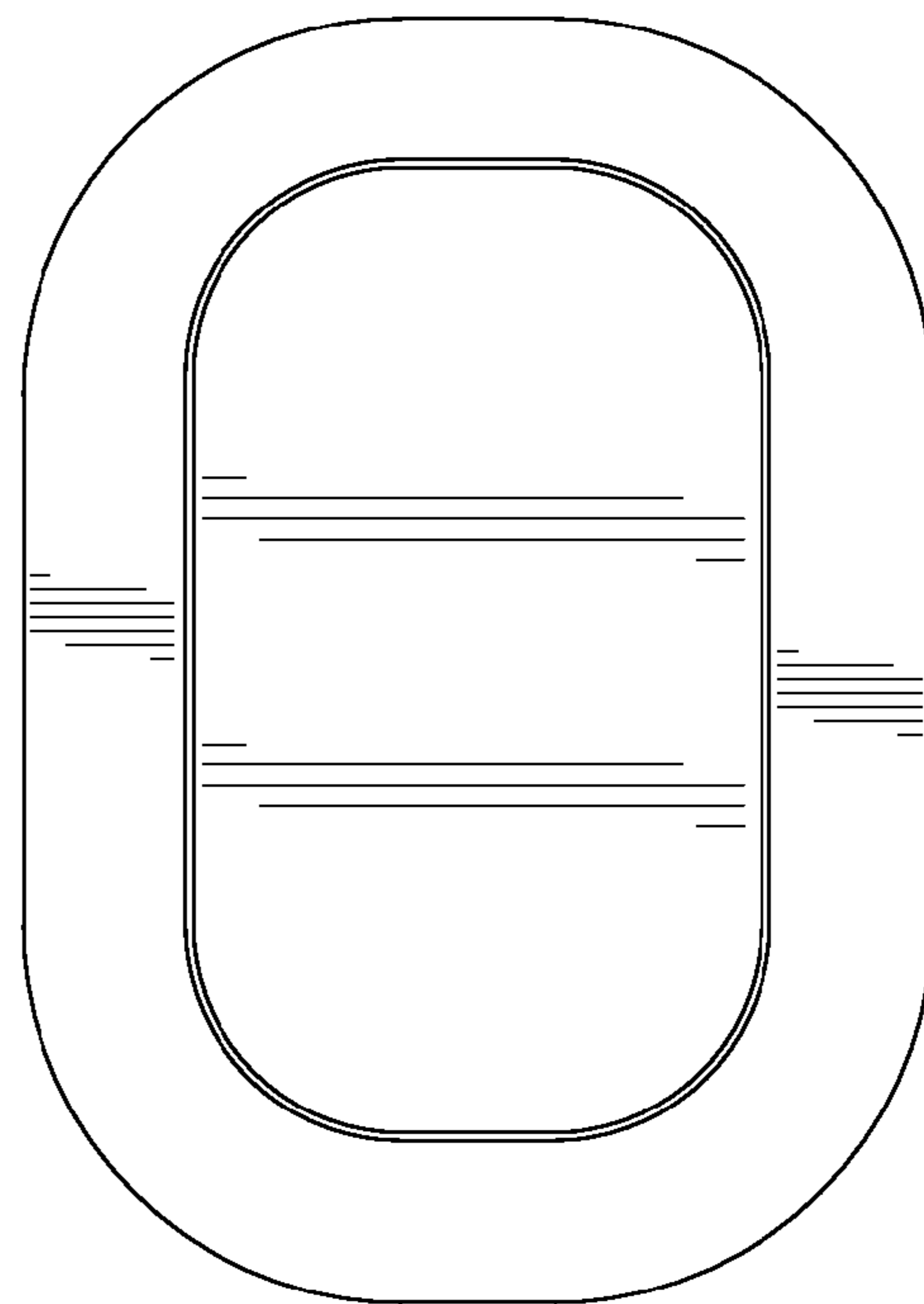


FIG. 3

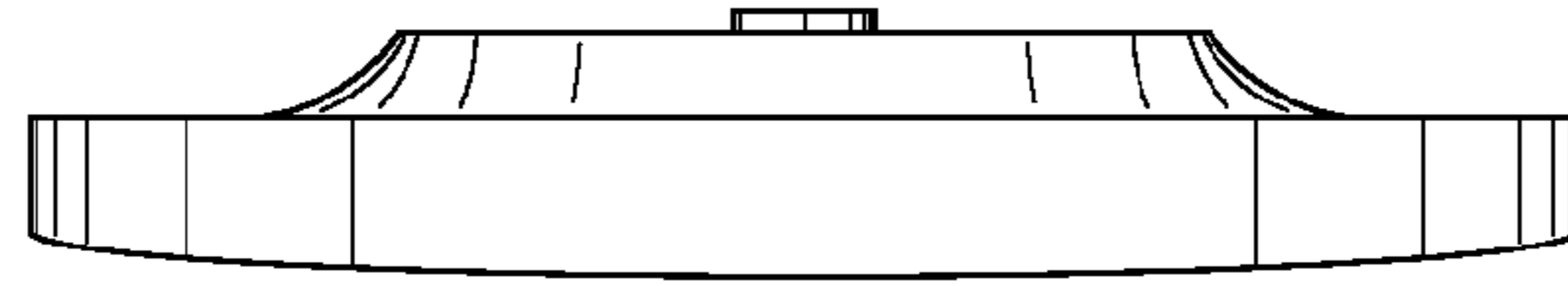


FIG. 4

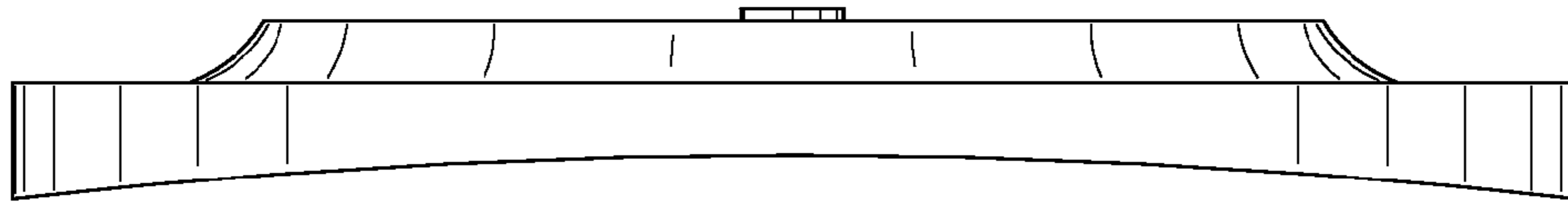


FIG. 5

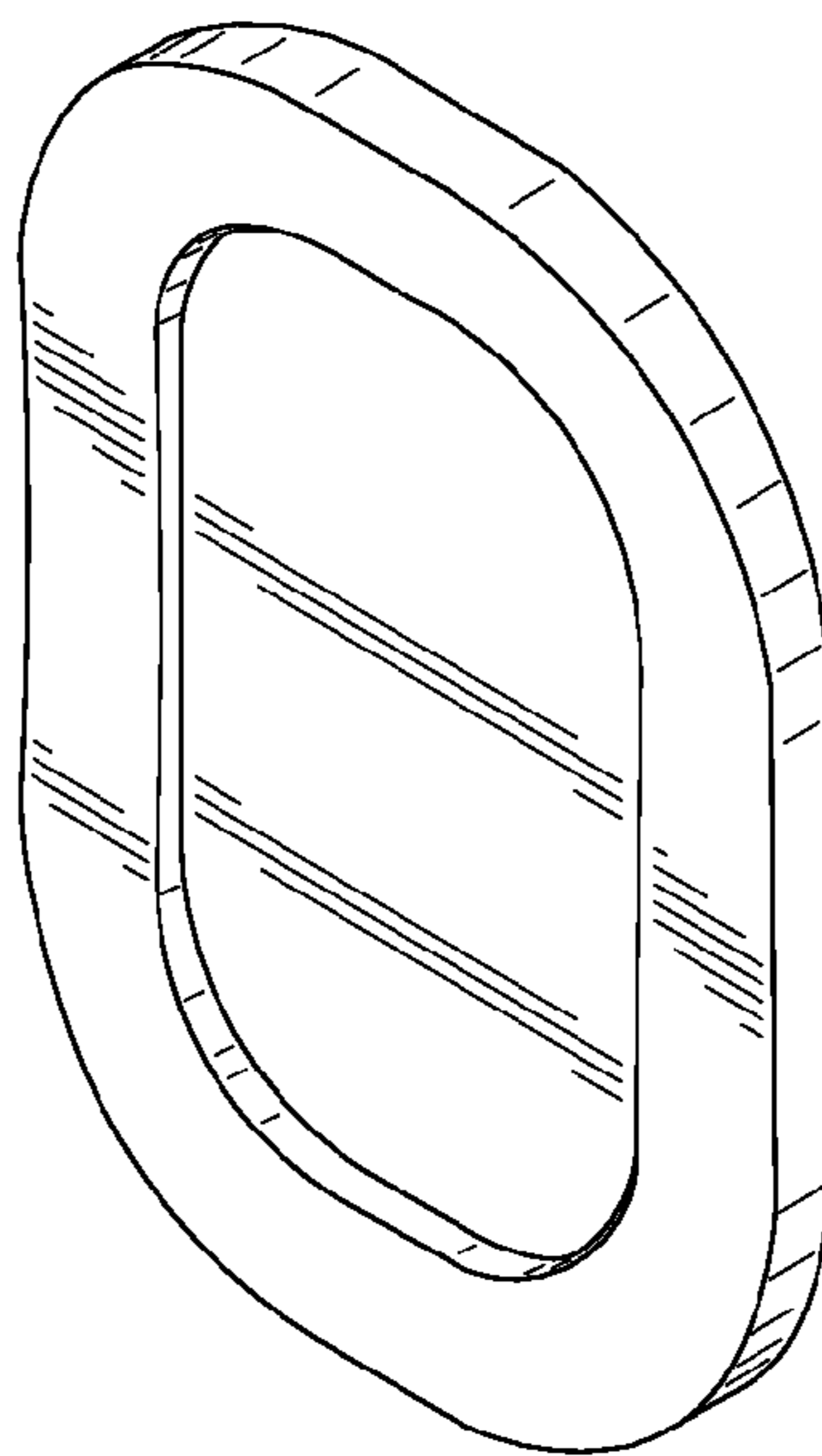


FIG. 6