



US00D682428S

(12) **United States Design Patent**
Steward, Jr. et al.

(10) **Patent No.:** **US D682,428 S**

(45) **Date of Patent:** **** *May 14, 2013**

(54) **ADJUSTABLE DENTAL MEDIA HOLDER**

D537,943 S * 3/2007 Schmulenson D24/158
D545,968 S * 7/2007 Sullivan D24/161
7,959,354 B2 * 6/2011 Steward et al. 378/170

(75) Inventors: **Curtis L. Steward, Jr.**, Sandwich, IL (US); **Paul McDonough**, Woodstock, IL (US); **Thaddeus J. Hartlaub**, Cherry Valley, IL (US)

* cited by examiner

Primary Examiner — Anhdao Doan

(73) Assignee: **DENTSPLY International Inc.**, York, PA (US)

(74) *Attorney, Agent, or Firm* — David A. Zdurne; Douglas J. Hura; Leana Levin

(*) Notice: This patent is subject to a terminal disclaimer.

(57) **CLAIM**

The ornamental design for an adjustable dental media holder, as shown and described.

(**) Term: **14 Years**

(21) Appl. No.: **29/376,094**

DESCRIPTION

(22) Filed: **Oct. 1, 2010**

Related U.S. Application Data

(63) Continuation of application No. 12/884,585, filed on Sep. 17, 2010.

(51) **LOC (9) Cl.** **24-01**

(52) **U.S. Cl.**
USPC **D24/161**

(58) **Field of Classification Search** D24/158-161, D24/186, 176-178; 378/4, 15, 17, 20, 21, 378/23-27, 62, 68, 146, 167, 168, 169, 170, 378/180, 181, 182, 205, 208

See application file for complete search history.

FIG. 1 is a perspective view of an adjustable dental media holder of the present invention;

FIG. 2 is a perspective view of the adjustable dental media holder with the bite block component shown in an alternate position;

FIG. 3 is an exploded perspective view of the adjustable dental media holder shown in FIG. 1;

FIG. 4 is a top view of the adjustable dental media holder shown in FIG. 1;

FIG. 5 is a front view of the adjustable dental media holder shown in FIG. 1;

FIG. 6 is a rear view of the adjustable dental media holder shown in FIG. 1;

FIG. 7 is a right side view of the adjustable dental media holder shown in FIG. 1, the left side view being a mirror image; and,

FIG. 8 is a perspective view of the bite block component of the adjustable dental media holder shown in FIGS. 1-2.

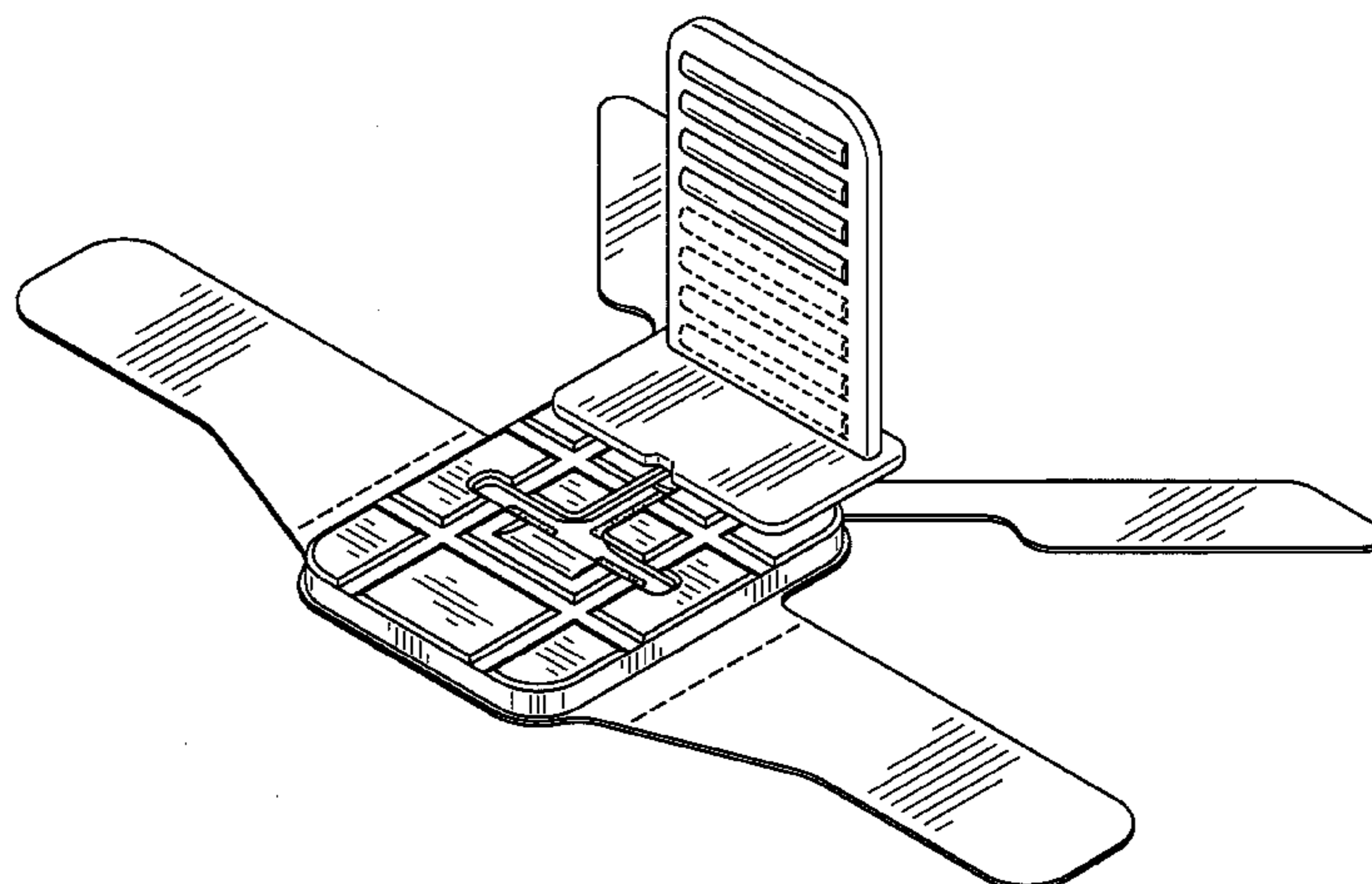
The broken lines shown on the straps in FIGS. 1-4 represent perforation lines. Furthermore, the stippling shown on the straps in FIGS. 1-4 represent indicia. The other broken lines in the drawing views are included for the purpose of illustrating portions of the adjustable dental media holder that form no part of the claimed design.

(56) **References Cited**

U.S. PATENT DOCUMENTS

D246,797 S * 12/1977 Jermyn D24/161
D246,798 S * 12/1977 Jermyn D24/161
D276,648 S * 12/1984 Stevenson D24/161
4,538,292 A * 8/1985 Linden 378/169
D283,157 S * 3/1986 Maldonado et al. D24/161
D298,054 S * 10/1988 Moore D24/161
D330,423 S * 10/1992 Kilber D24/156
5,625,666 A * 4/1997 Willis 378/167
D406,892 S * 3/1999 Warren D24/161

1 Claim, 7 Drawing Sheets



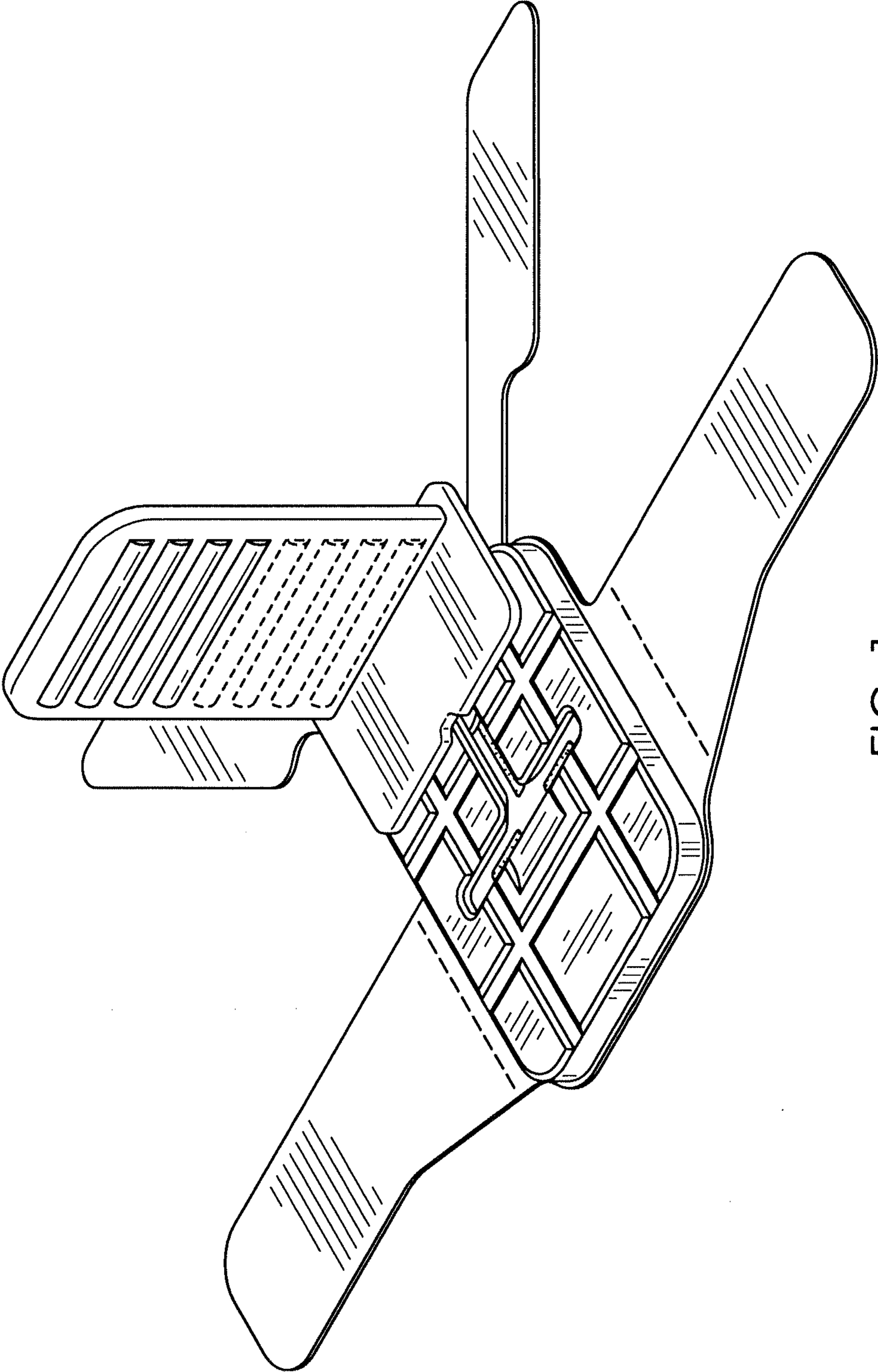


FIG. 1

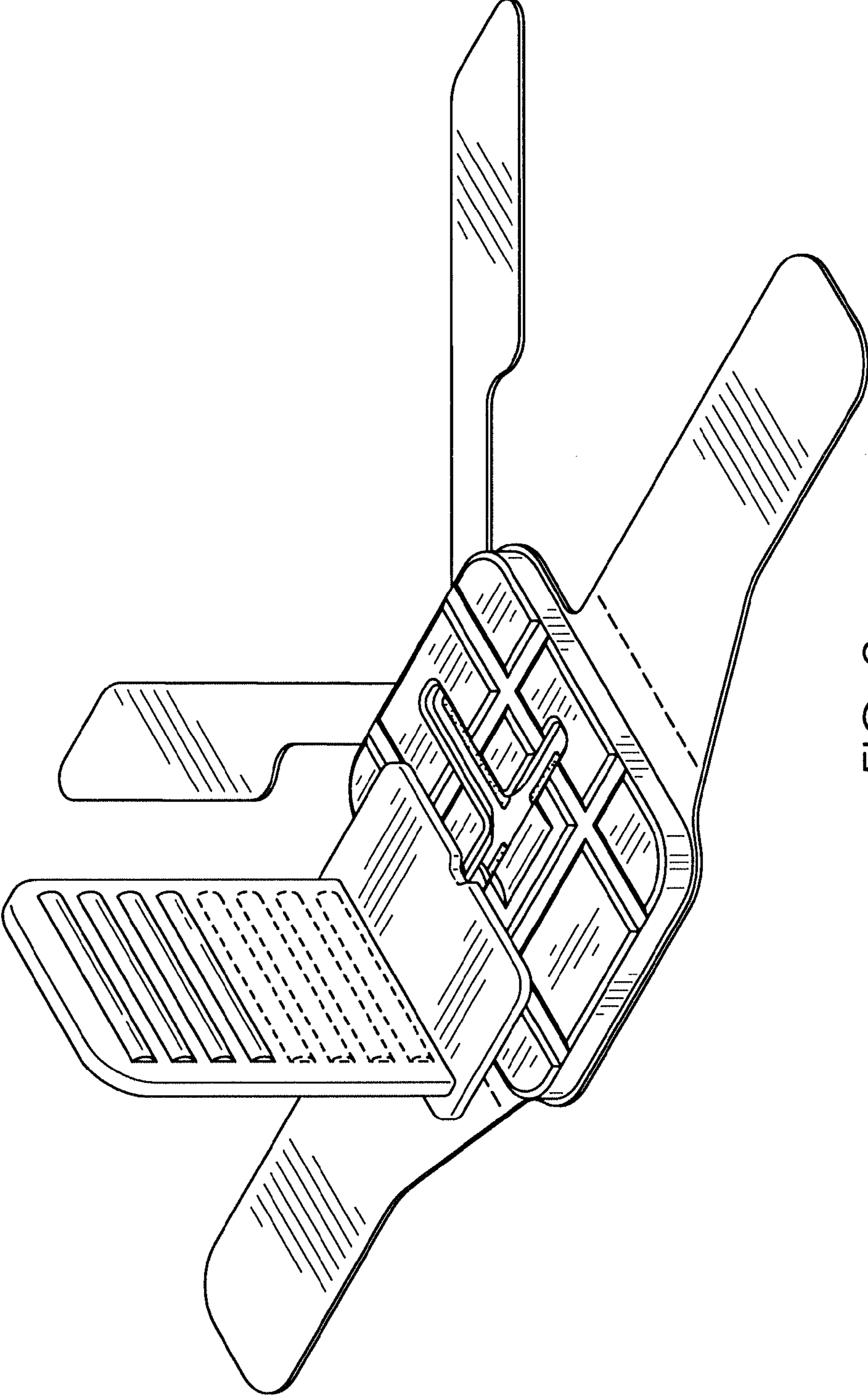


FIG. 2

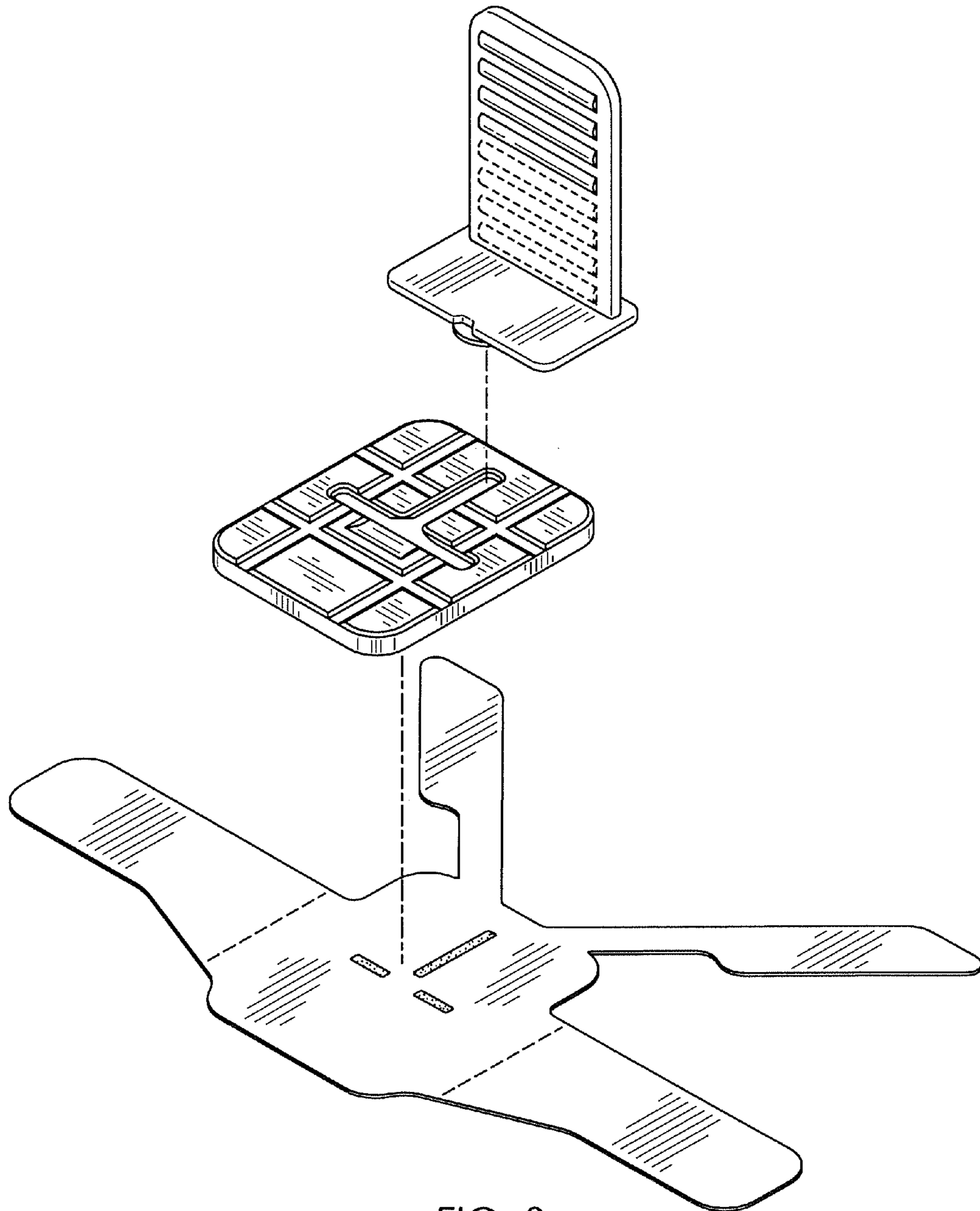


FIG. 3

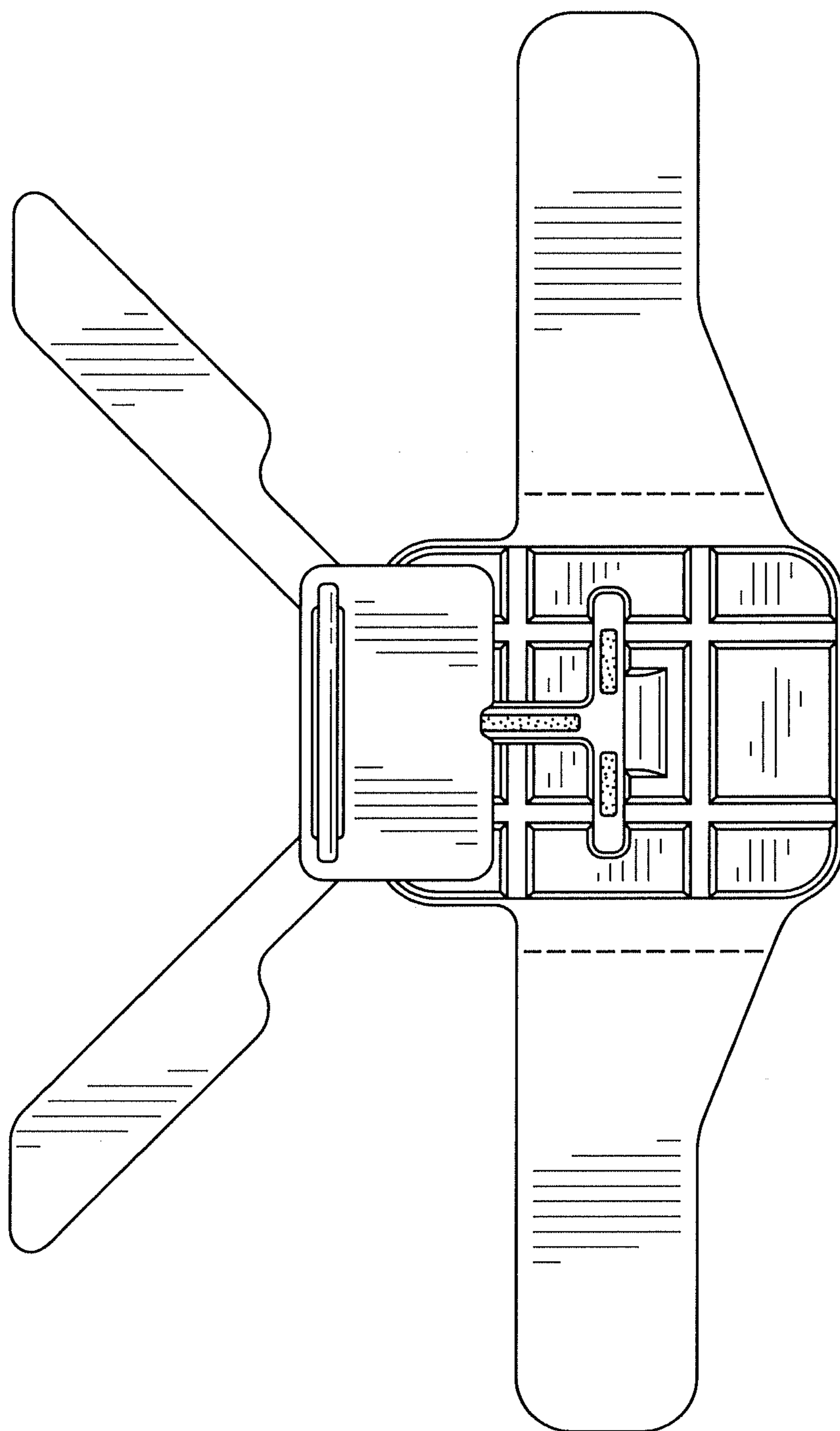


FIG. 4

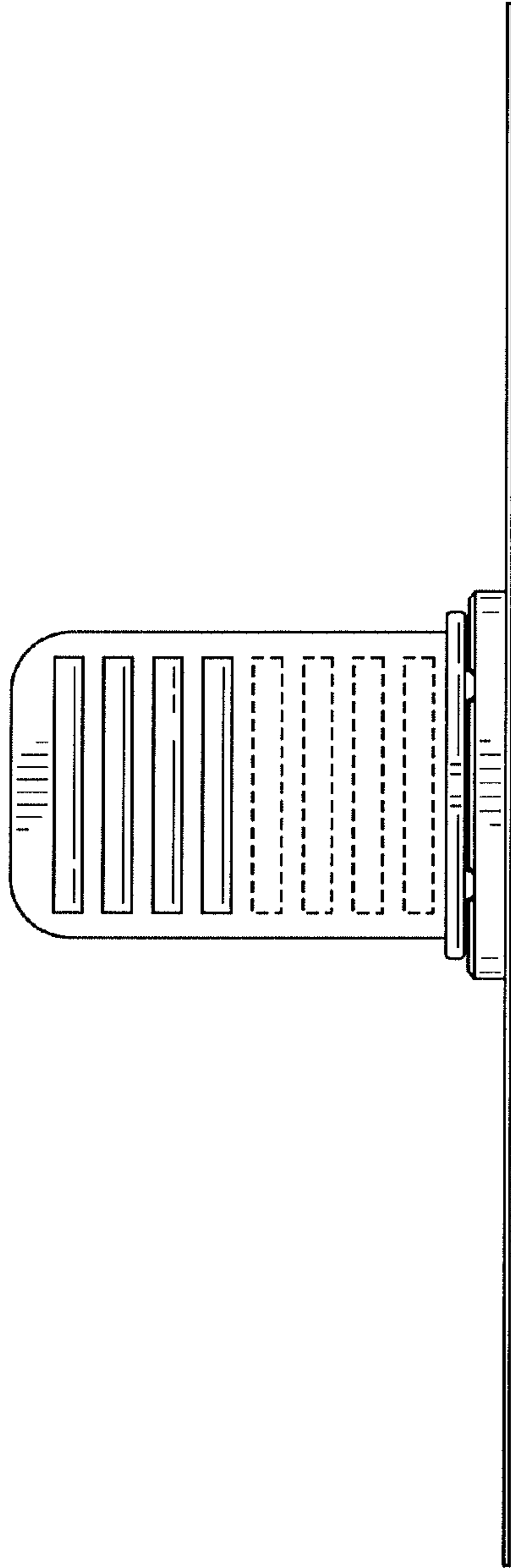


FIG. 5

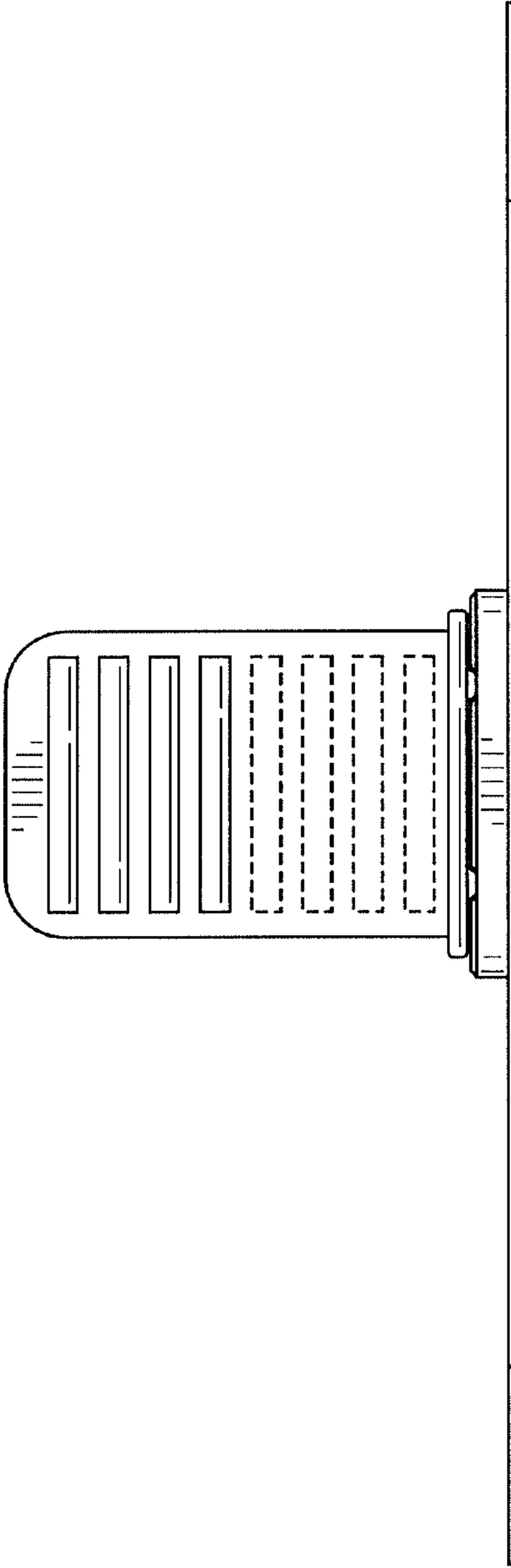


FIG. 6

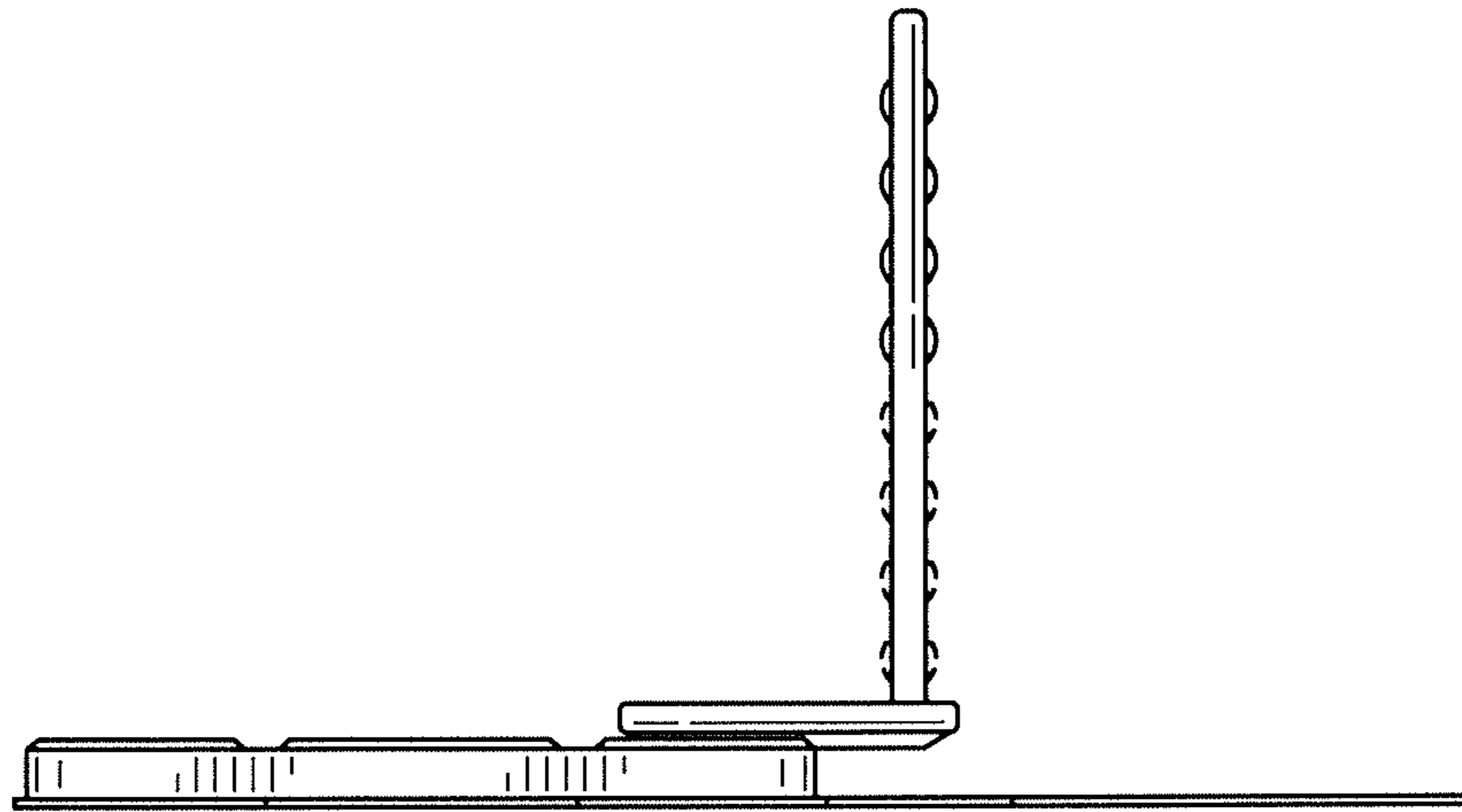


FIG. 7

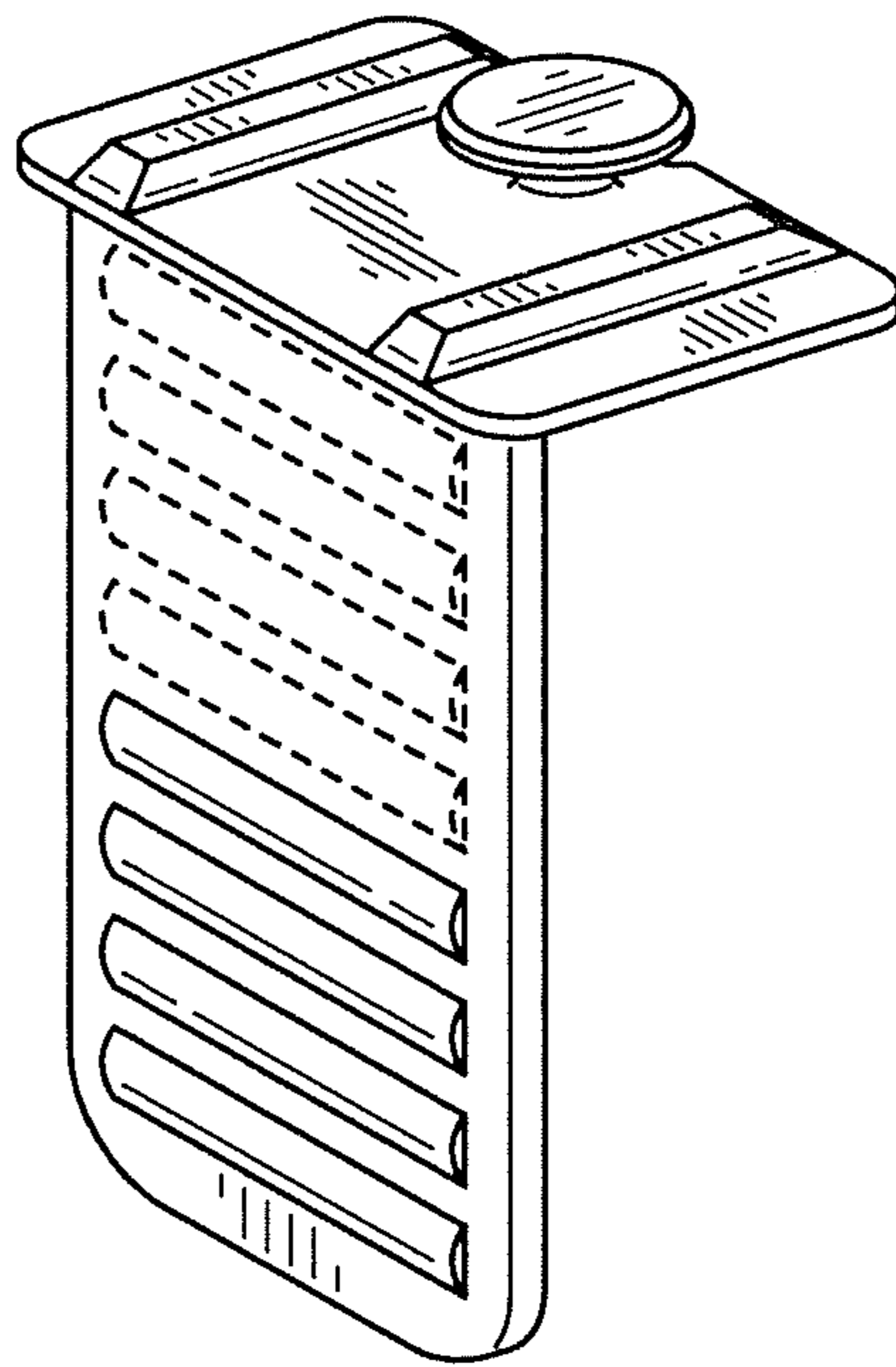


FIG. 8