



US00D682424S

(12) **United States Design Patent**
Hasbun

(10) **Patent No.:** **US D682,424 S**

(45) **Date of Patent:** **** May 14, 2013**

(54) **INTEGRATED STETHOSCOPE AND REFLEX HAMMER**

(76) Inventor: **William M. Hasbun**, Mount Laurel, NJ (US)

(**) Term: **14 Years**

(21) Appl. No.: **29/419,030**

(22) Filed: **Apr. 24, 2012**

Related U.S. Application Data

(63) Continuation of application No. 12/870,675, filed on Aug. 27, 2010, now abandoned.

(51) **LOC (9) Cl.** **24-02**

(52) **U.S. Cl.**
USPC **D24/134; D24/142**

(58) **Field of Classification Search** D24/134,
D24/133, 142; 181/131, 132; 600/553, 552;
601/107

See application file for complete search history.

(56) **References Cited**

U.S. PATENT DOCUMENTS

1,267,554	A *	5/1918	Karatsu	600/553
3,087,016	A *	4/1963	Dahl	381/1
D252,283	S *	7/1979	Reeves-Saunders	D24/142
D395,509	S *	6/1998	Packard et al.	D24/137

D432,238	S *	10/2000	Packard et al.	D24/134
6,406,436	B1 *	6/2002	Schiffman	600/557
6,510,918	B2 *	1/2003	Bates	181/131
6,966,400	B1 *	11/2005	Rollins et al.	181/131
D524,940	S *	7/2006	Costa et al.	D24/134
7,314,112	B1 *	1/2008	Rollins et al.	181/131
D583,942	S *	12/2008	Mandel	D24/142
D635,667	S *	4/2011	Soerensen et al.	D24/134
2011/0048841	A1 *	3/2011	Hasbun	181/131

* cited by examiner

Primary Examiner — Bridget L Eland

(74) *Attorney, Agent, or Firm* — Muskin & Cusick, LLC; Shawn R. Farmer

(57) **CLAIM**

The ornamental design for an integrated stethoscope and reflex hammer, as shown and described.

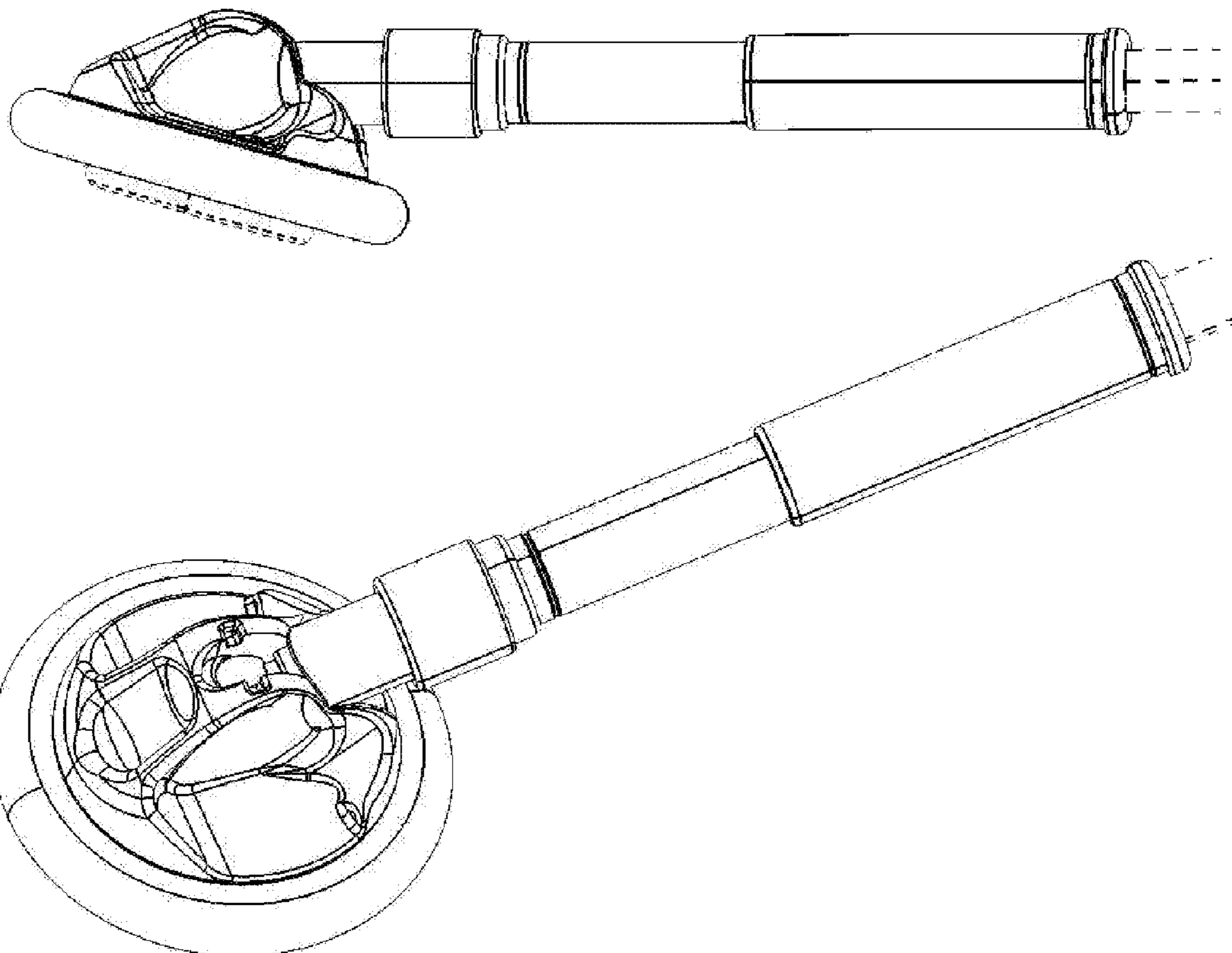
DESCRIPTION

FIG. 1 is a side view of an integrated stethoscope and reflex hammer; and,

FIG. 2 is an orthographic view of an integrated stethoscope and reflex hammer.

The broken lines are directed to environment and are for illustrative purposes only; the broken lines form no part of the claimed design.

1 Claim, 2 Drawing Sheets



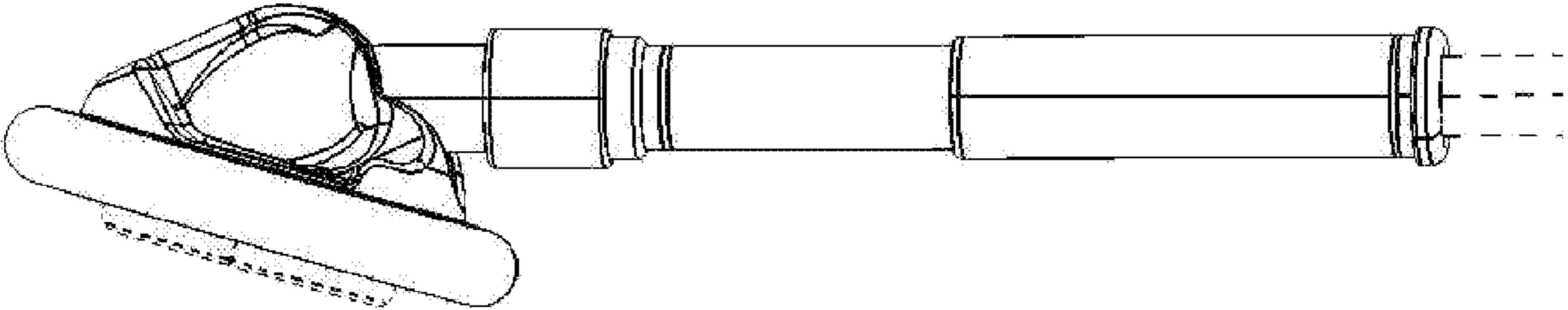


FIG 1

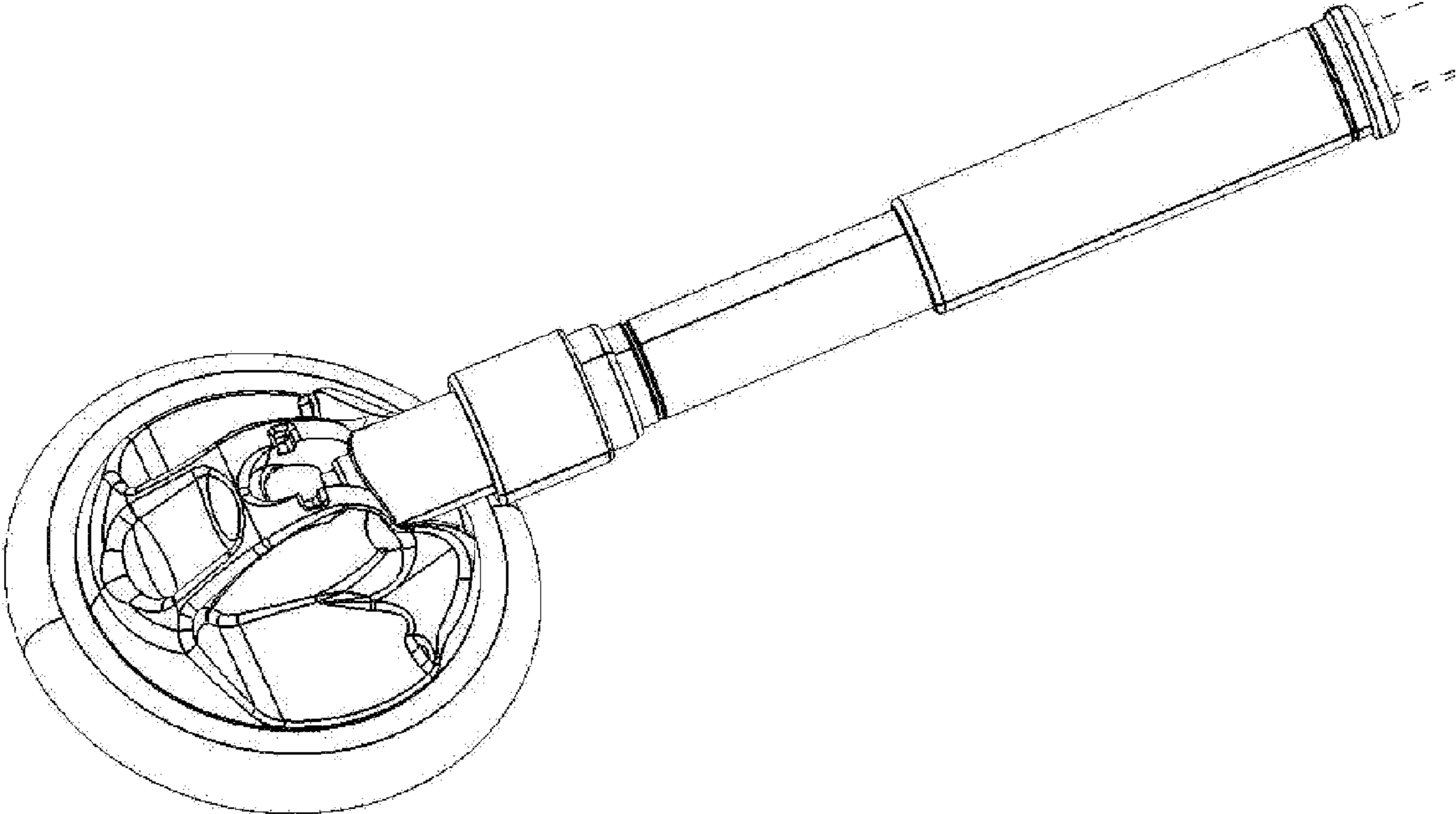


FIG 2