



US00D682423S

(12) **United States Design Patent**
Becker

(10) **Patent No.:** **US D682,423 S**

(45) **Date of Patent:** **** May 14, 2013**

(54) **RESECTOSCOPE SHEATH**

(75) Inventor: **Wolfram Becker**, Laer (DE)

(73) Assignee: **Karl Storz GmbH & Co. KG** (DE)

(**) Term: **14 Years**

(21) Appl. No.: **29/396,002**

(22) Filed: **Jun. 23, 2011**

(30) **Foreign Application Priority Data**

Dec. 23, 2010 (EM) 001798331-0013

(51) **LOC (9) Cl.** **24-02**

(52) **U.S. Cl.**
USPC **D24/133; D24/137; D24/138**

(58) **Field of Classification Search** D24/133,
D24/137, 138, 146, 147; 600/105, 119, 121;
606/46-52

See application file for complete search history.

(56) **References Cited**

U.S. PATENT DOCUMENTS

2,129,391	A *	9/1938	Wappler	600/104
4,132,227	A *	1/1979	Ibe	600/105
4,607,620	A *	8/1986	Storz	600/101
5,151,101	A *	9/1992	Grossi et al.	606/46
5,392,765	A *	2/1995	Muller	600/108
5,807,240	A *	9/1998	Muller et al.	600/135
D536,787	S *	2/2007	Rehbein et al.	D24/133
D559,980	S *	1/2008	Rehbein et al.	D24/133
D570,479	S *	6/2008	Rehbein et al.	D24/133
D580,051	S *	11/2008	Rehbein et al.	D24/133

D596,291	S *	7/2009	Berberich et al.	D24/133
2004/0064139	A1 *	4/2004	Yossepowitch	606/46
2011/0295066	A1 *	12/2011	Fan	600/114

OTHER PUBLICATIONS

Storz—Die Welt Der Endoskopie—Urologie; p. 42—Resektoskopschäfte; p. 44—Resektoskopschäfte mit Feststehendem Innenschaft, and p. 45—Resektoskopschäfte mit Drehbarem Innenschaft; 2008 (4 pages total).

* cited by examiner

Primary Examiner — Bridget L Eland

(74) *Attorney, Agent, or Firm* — St. Onge Steward Johnston & Reens LLC

(57) **CLAIM**

The ornamental design for a resectoscope sheath, as shown and described.

DESCRIPTION

FIG. 1 is a top perspective view of a resectoscope sheath in accordance with the new design;

FIG. 2 is a right side isometric view thereof;

FIG. 3 is a left side isometric view thereof;

FIG. 4 is a top isometric view thereof;

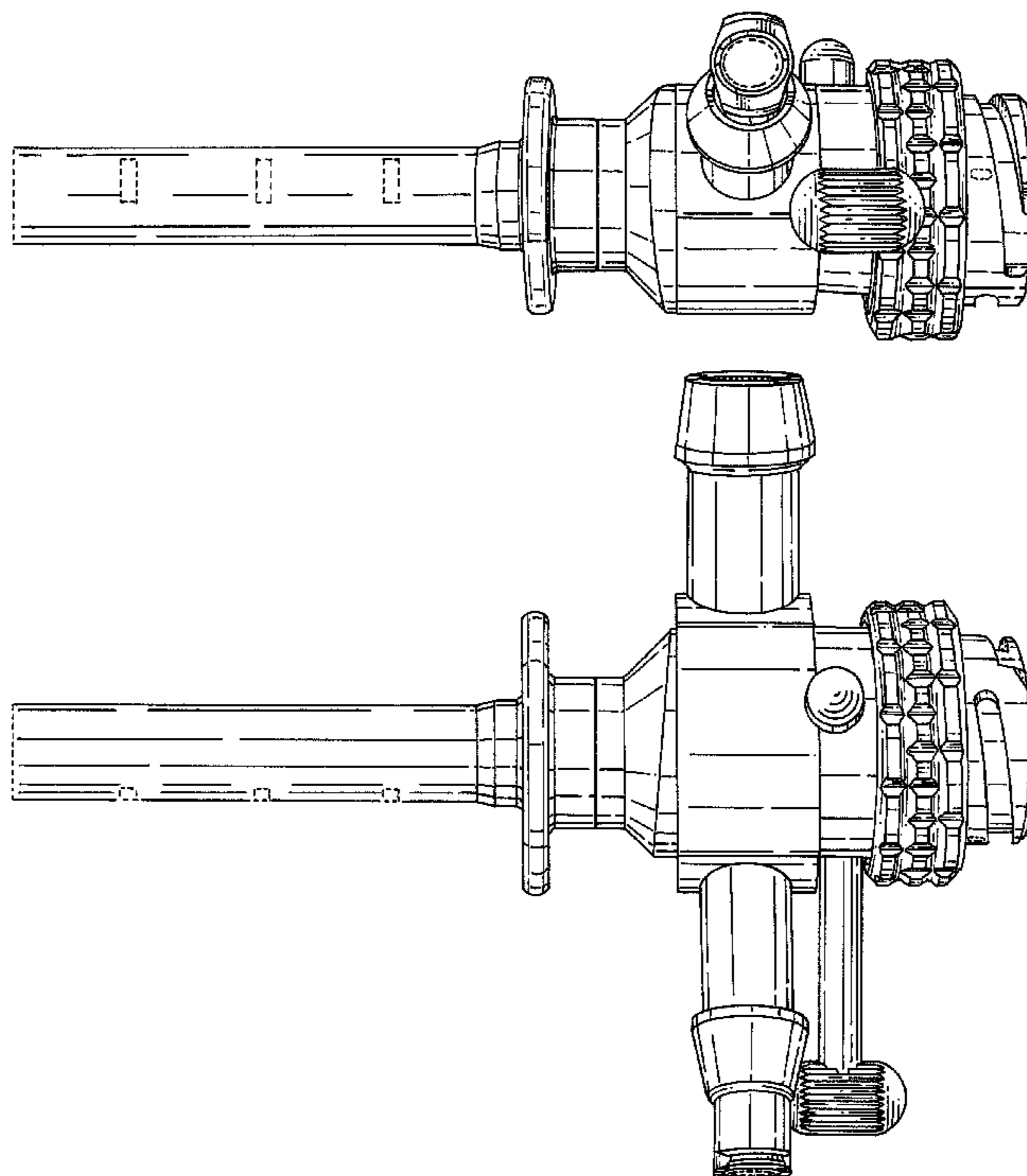
FIG. 5 is a bottom isometric view thereof;

FIG. 6 is a front isometric view thereof; and,

FIG. 7 is a rear isometric view thereof.

The broken lines shown in FIGS. 1-7 represent the bounds of the claimed design and form no part of the claimed design.

1 Claim, 7 Drawing Sheets



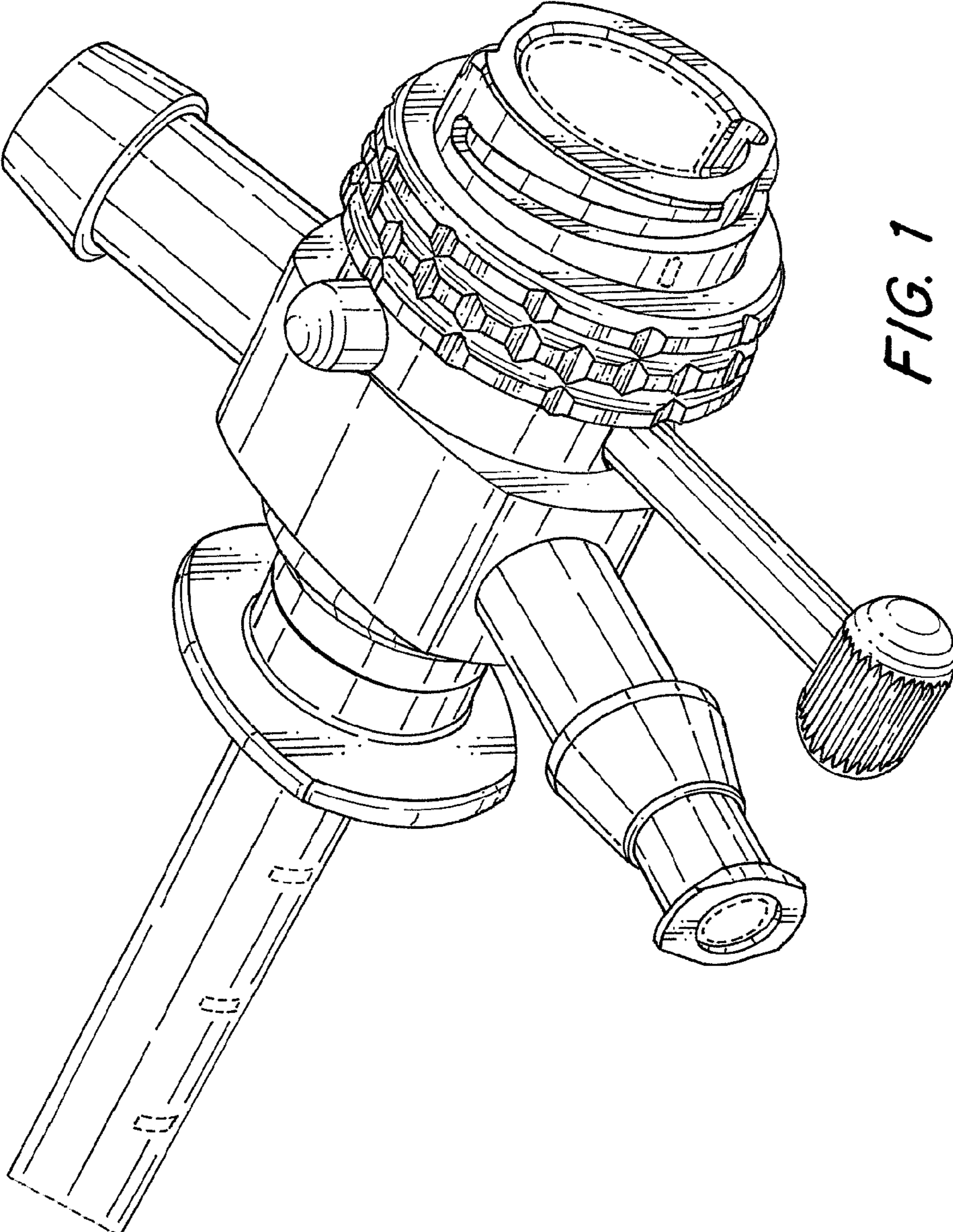


FIG. 1

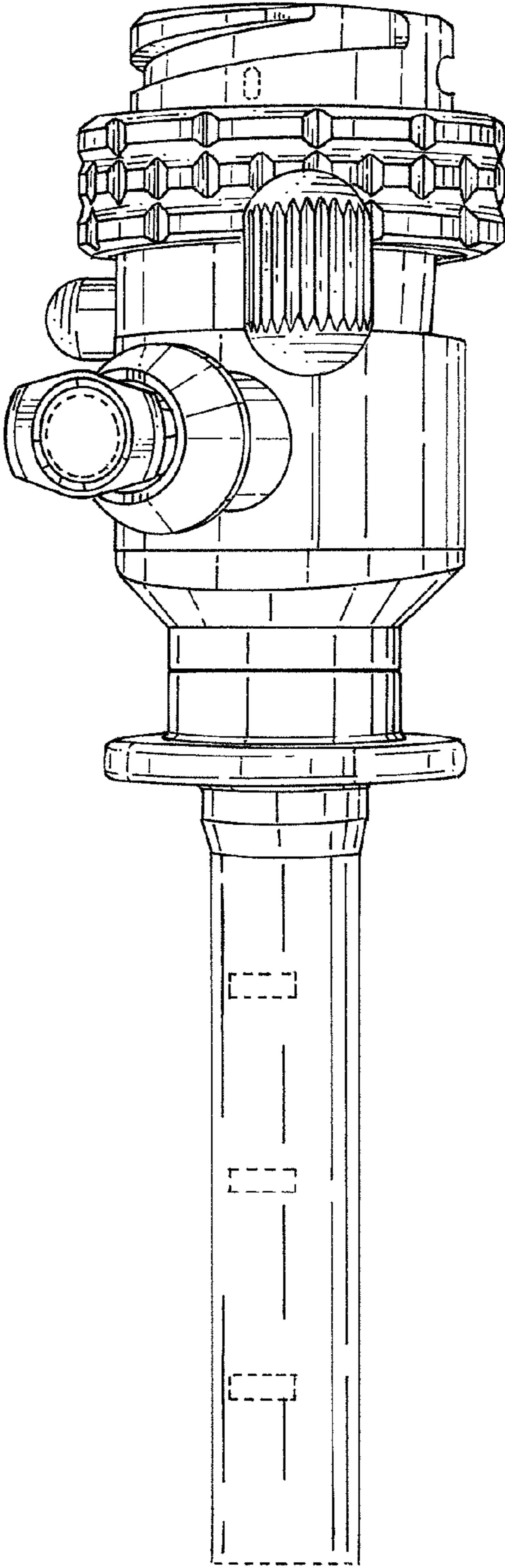


FIG. 2

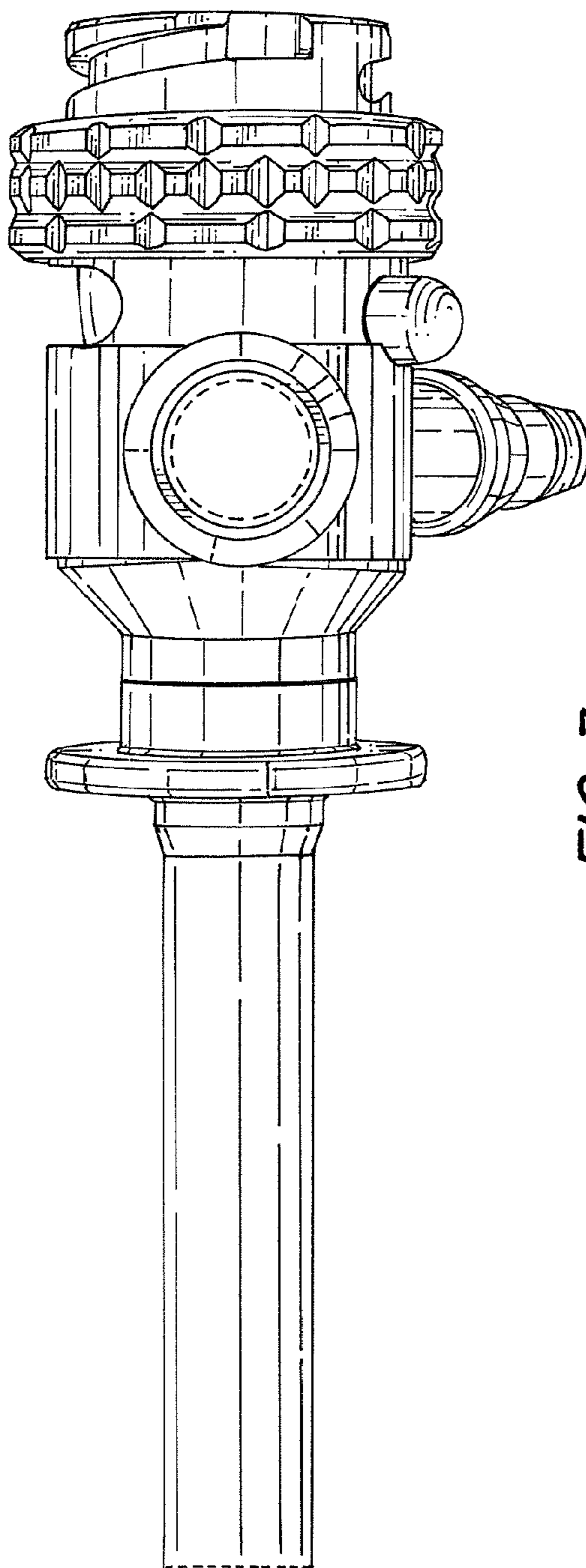


FIG. 3

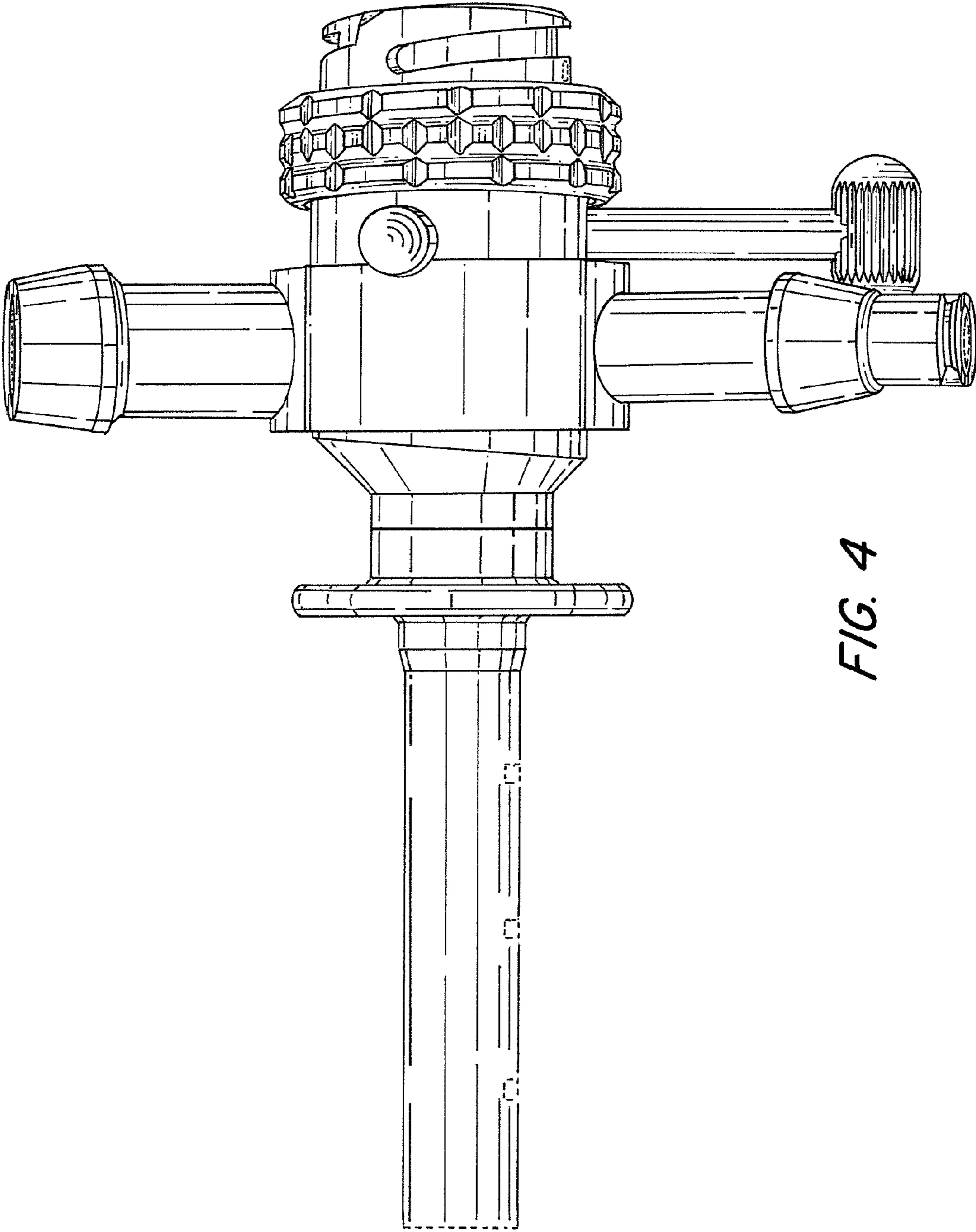


FIG. 4

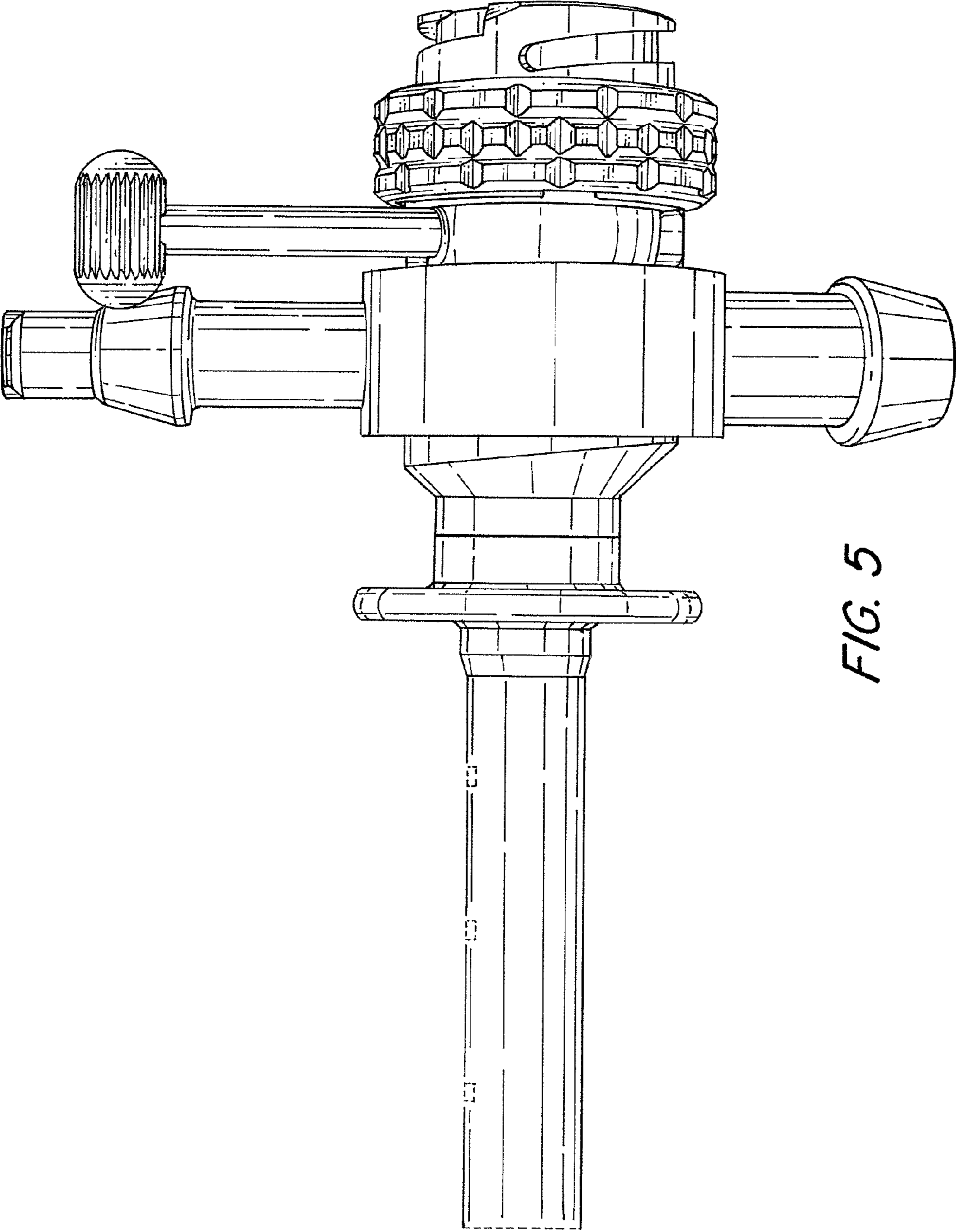


FIG. 5

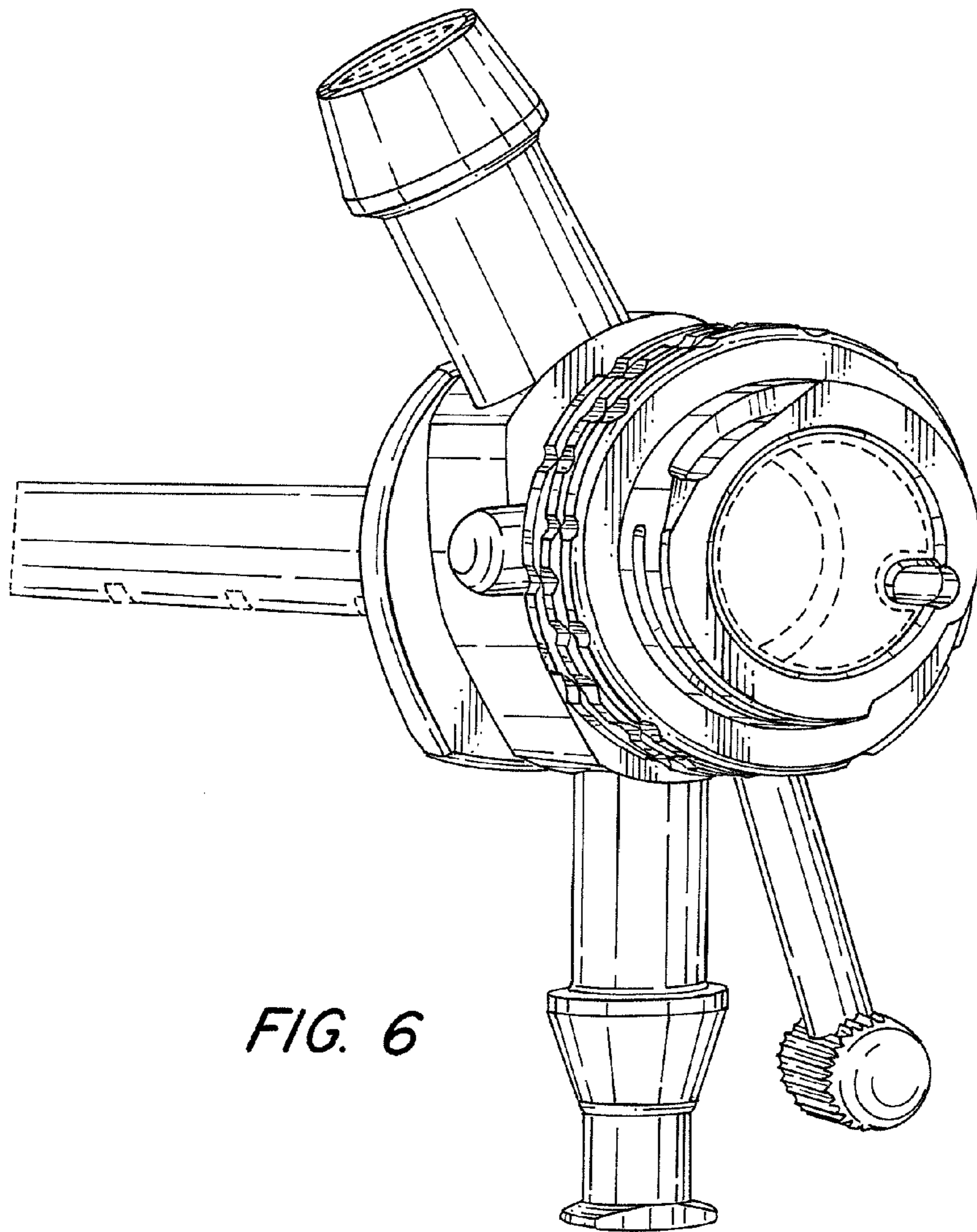


FIG. 6

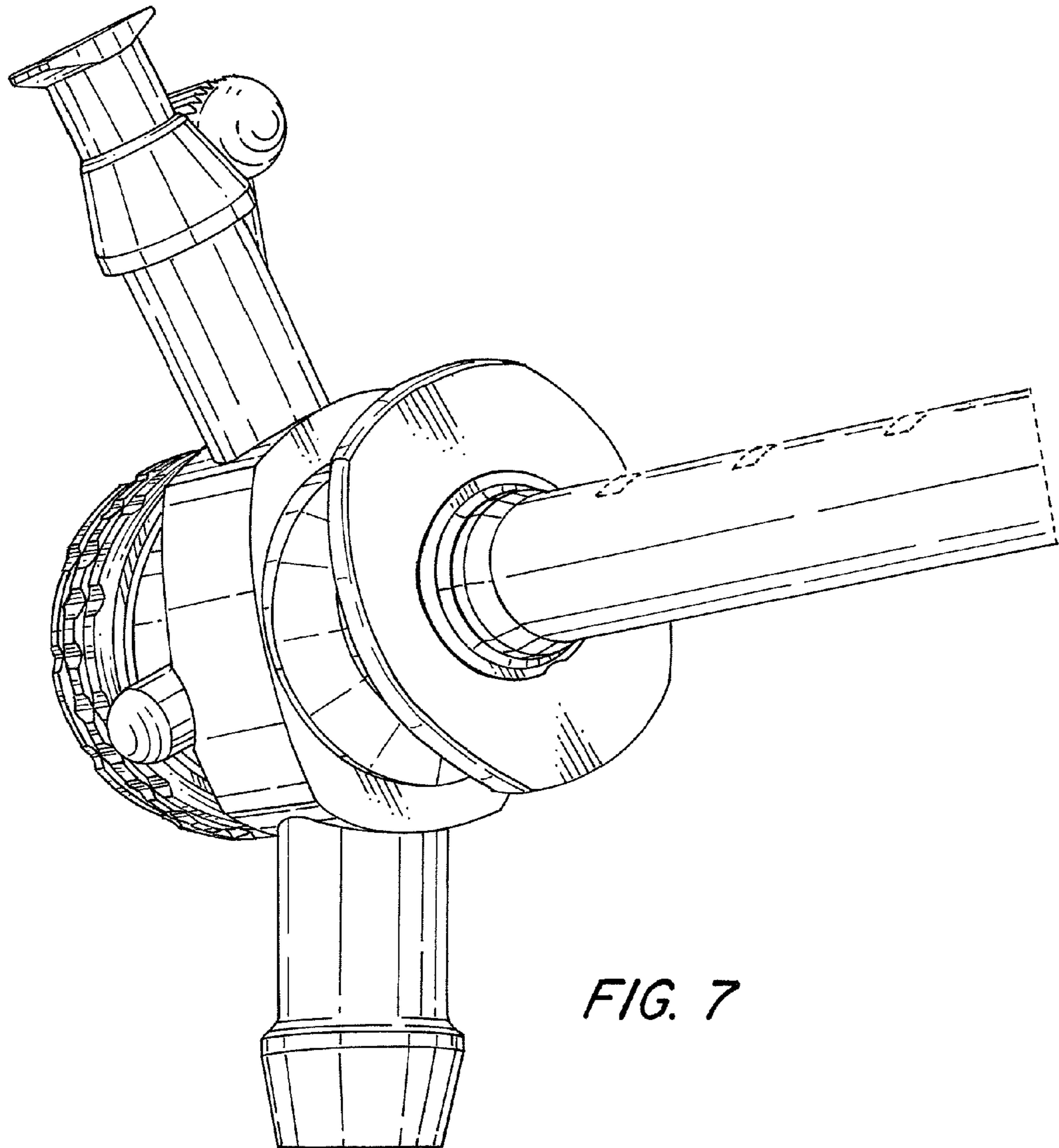


FIG. 7