



US00D682422S

(12) **United States Design Patent**
Anderson et al.

(10) **Patent No.:** **US D682,422 S**

(45) **Date of Patent:** **** May 14, 2013**

(54) **CAP FOR AN INSERTION DEVICE**

(75) Inventors: **Steven R. Anderson**, Rancho Santa Margarita, CA (US); **David A. Ruddocks**, Mission Viejo, CA (US); **David W. Gaylord**, Trabuco Canyon, CA (US)

(73) Assignee: **Abbott Medical Optics Inc.**, Santa Ana, CA (US)

(**) Term: **14 Years**

(21) Appl. No.: **29/396,008**

(22) Filed: **Jun. 23, 2011**

(51) **LOC (9) Cl.** **24-04**

(52) **U.S. Cl.**

USPC **D24/130**

(58) **Field of Classification Search** D24/112-114, D24/127-131, 133, 186, 152, 176, 180, 182; 433/91, 316, 96; 606/181, 185, 167; 604/232, 604/187, 158, 164.08, 192, 263, 163, 181, 604/184, 198, 227; 600/101, 139, 143; 128/200.24, 128/207.14, 207.15

See application file for complete search history.

(56) **References Cited**

U.S. PATENT DOCUMENTS

D303,010 S * 8/1989 Jabbusch D24/114
D313,277 S * 12/1990 Haining D24/129

D350,195 S * 8/1994 Poulsen D24/113
D358,210 S * 5/1995 Reil D24/146
D359,120 S * 6/1995 Sallee et al. D24/130
D492,032 S * 6/2004 Muller et al. D24/133
D541,934 S * 5/2007 Gomez D24/128
D547,863 S * 7/2007 Heinsch D24/128
D601,247 S * 9/2009 Hardin D24/128
D620,591 S * 7/2010 Young D24/130
D625,015 S * 10/2010 Hansen et al. D24/186
D635,255 S * 3/2011 Travis et al. D24/129
D638,932 S * 5/2011 She et al. D24/129

* cited by examiner

Primary Examiner — David Muller

(74) *Attorney, Agent, or Firm* — Abbott Medical Optics Inc.

(57) **CLAIM**

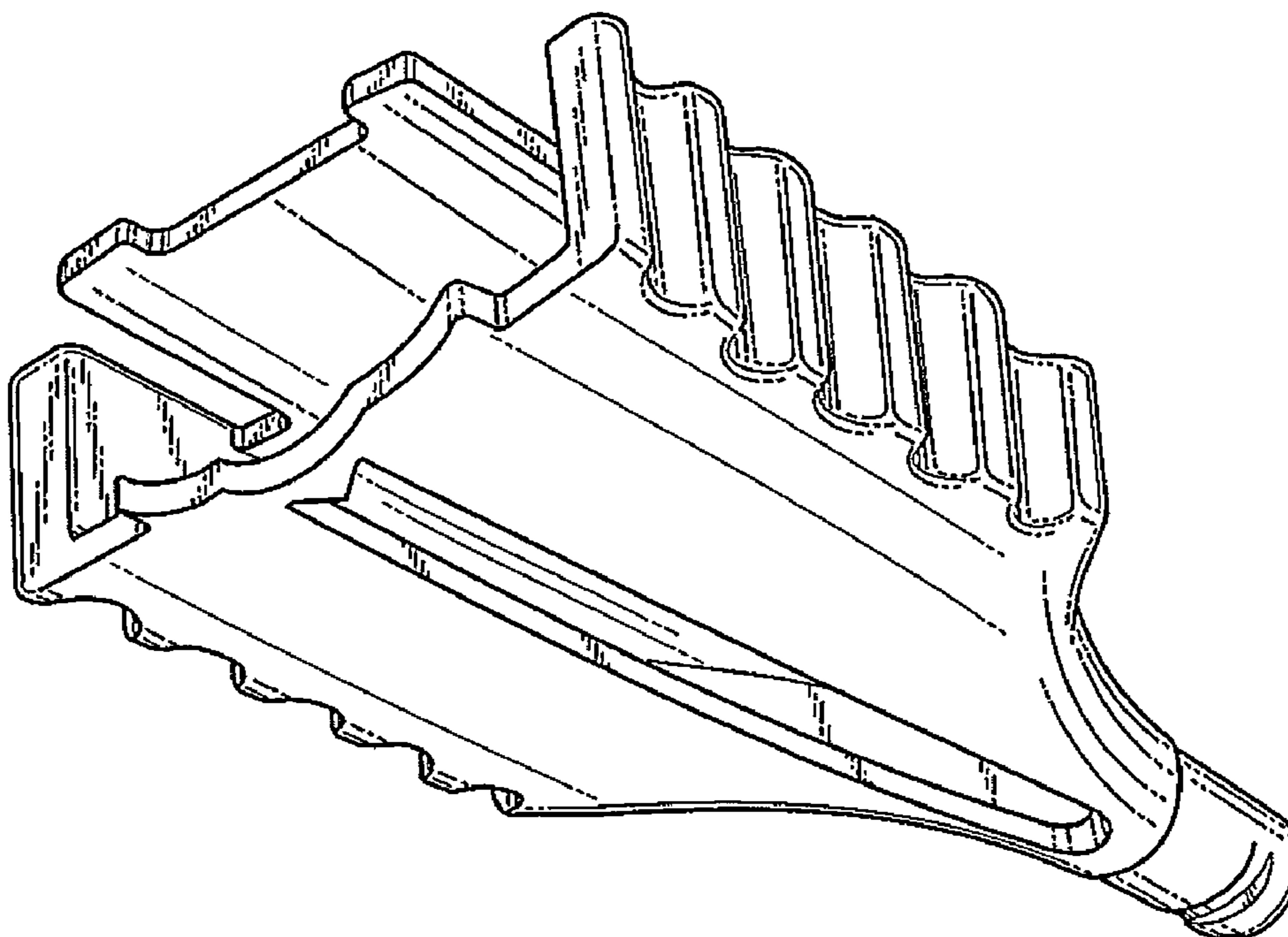
We claim the ornamental design for a cap for an insertion device, substantially as shown and described.

DESCRIPTION

FIG. 1 is a perspective view of a cap showing my new design; FIG. 2 is a top view thereof; FIG. 3 is a side view thereof; FIG. 4 is a front view thereof; FIG. 5 is a rear view thereof; FIG. 6 is a side view thereof; and, FIG. 7 is a bottom view thereof.

The cap protects the tip of an insertion device from deformation or damage.

1 Claim, 2 Drawing Sheets



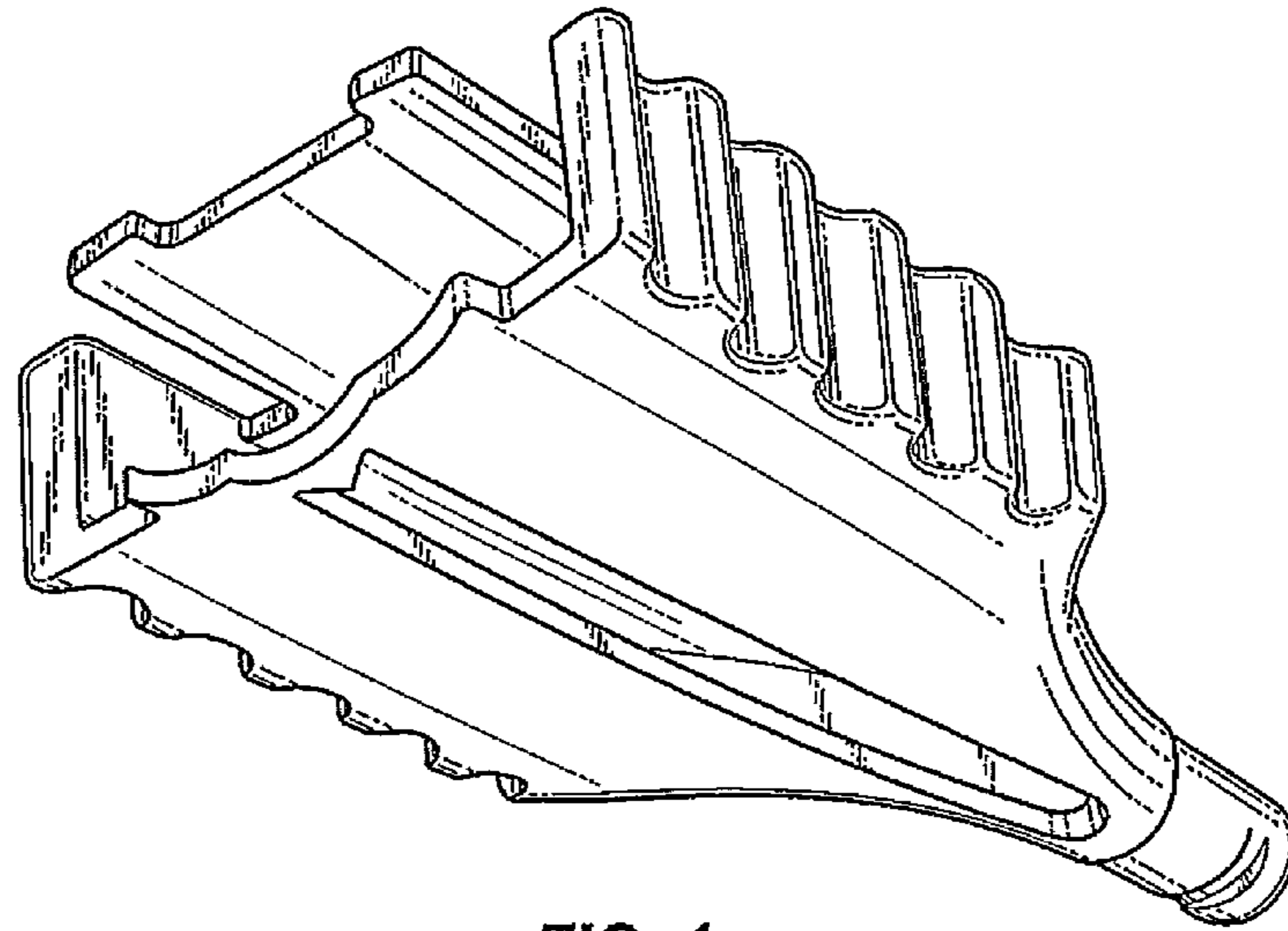


FIG. 1

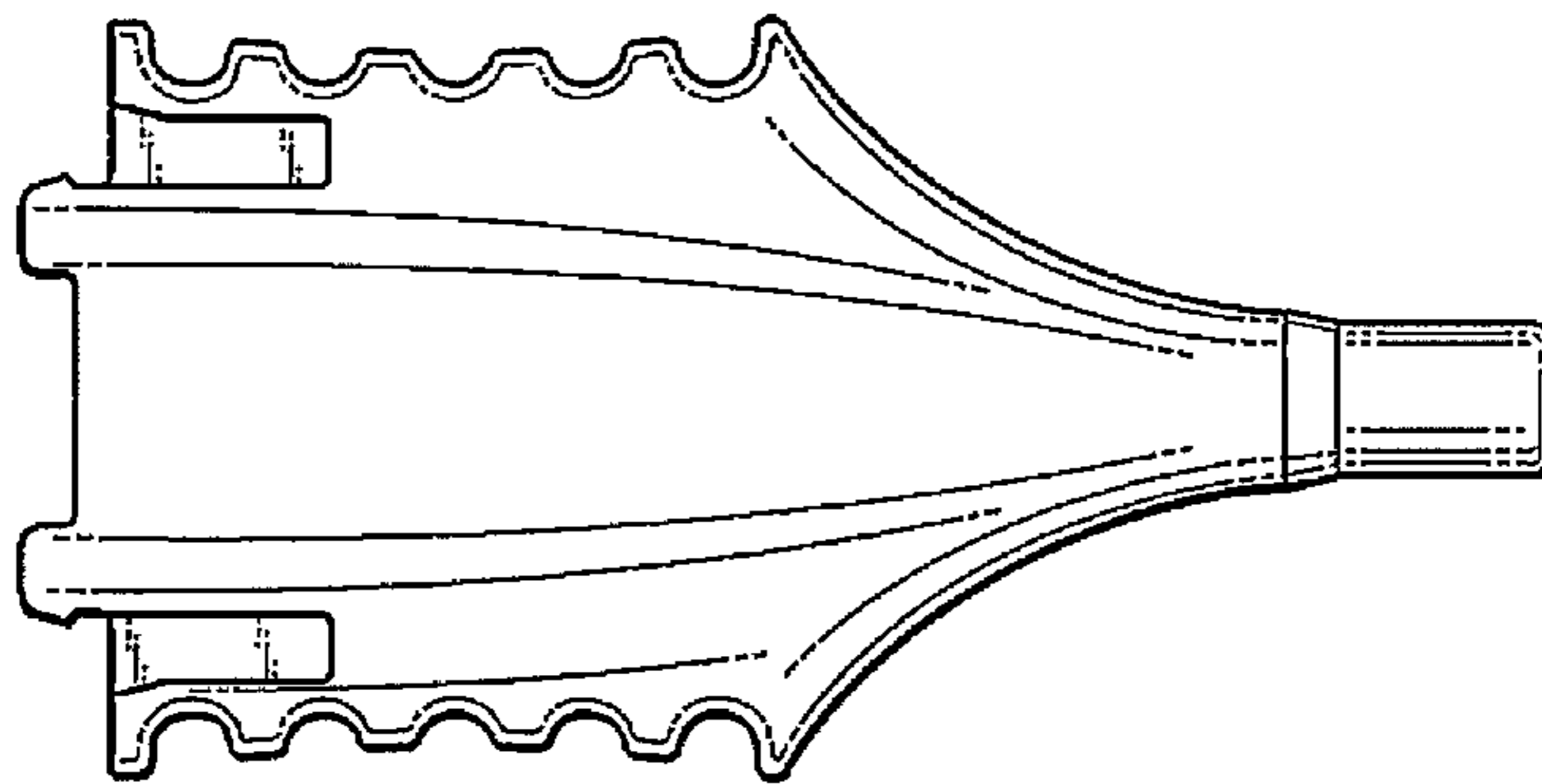


FIG. 2

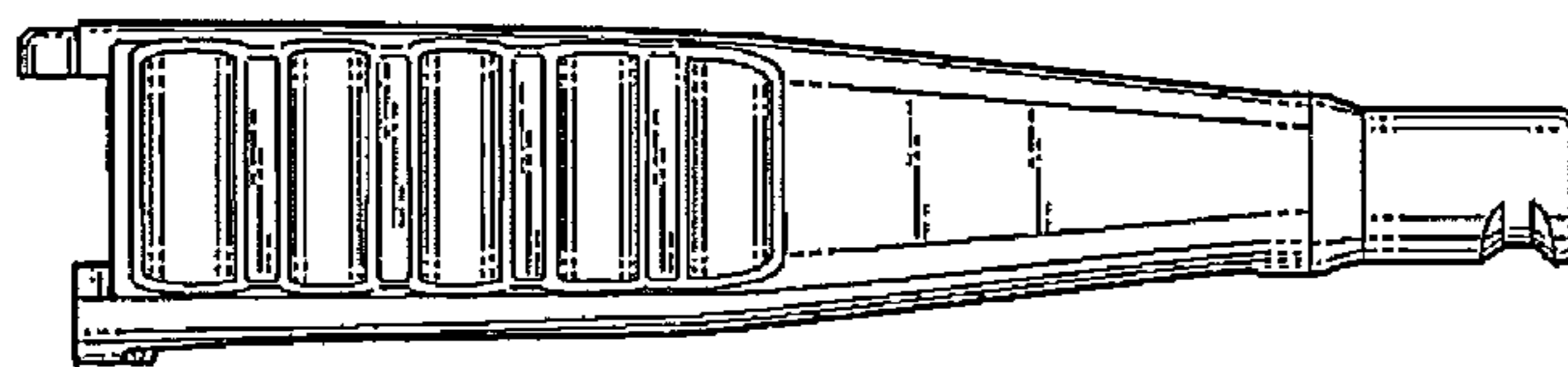


FIG. 3

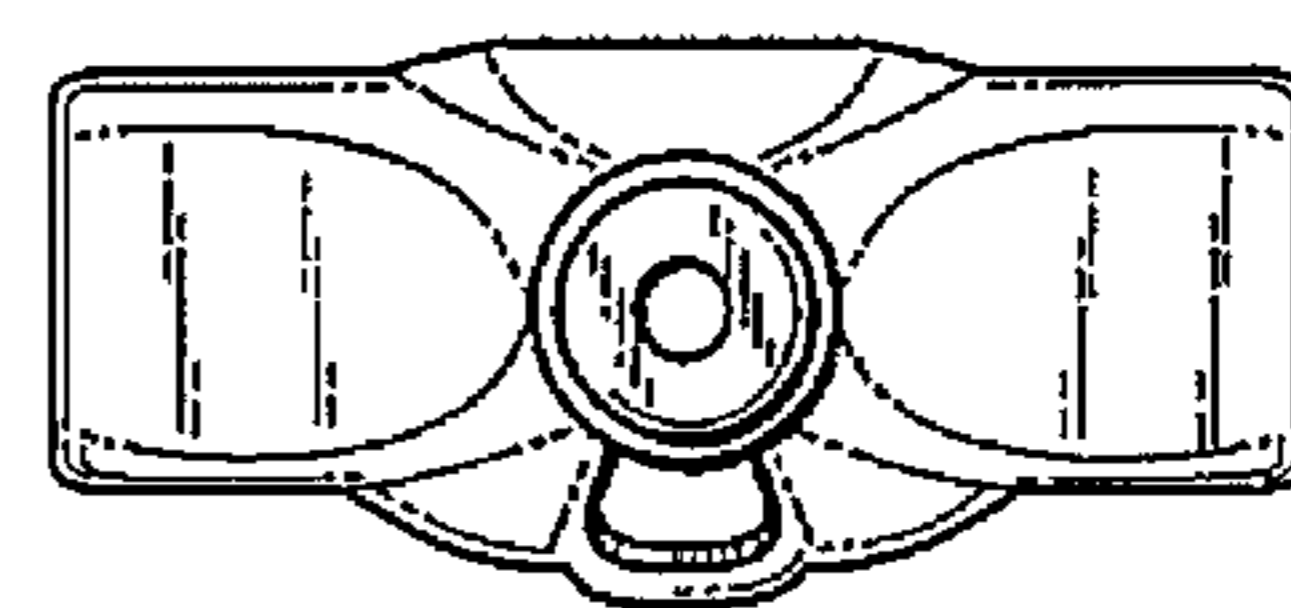


FIG. 4

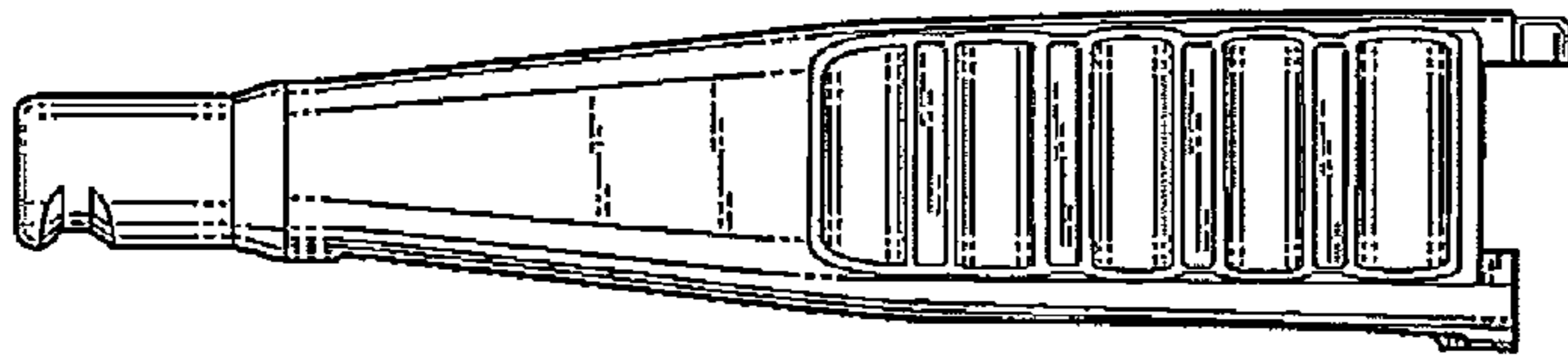


FIG. 6

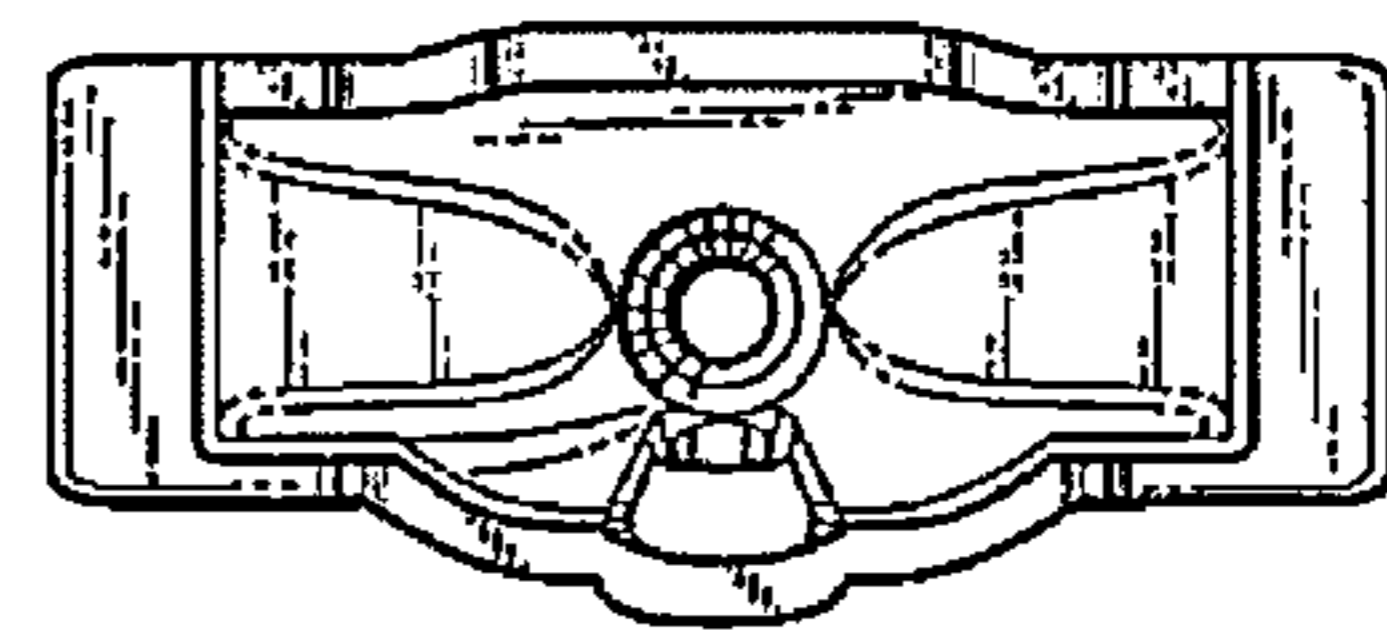


FIG. 5

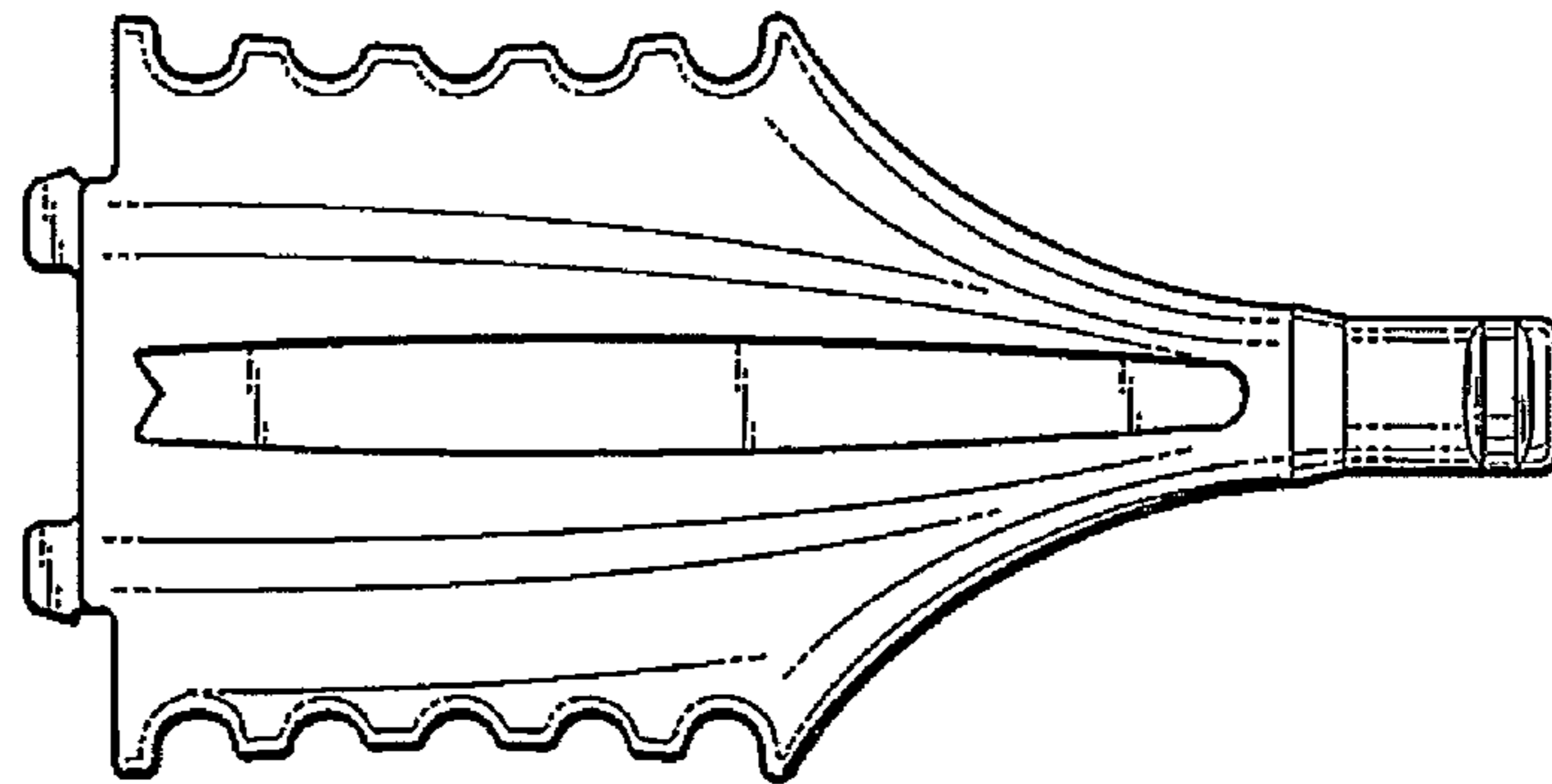


FIG. 7