



US00D682417S

(12) **United States Design Patent**
Csok

(10) **Patent No.:** **US D682,417 S**

(45) **Date of Patent:** **** May 14, 2013**

(54) **NASAL CLEANING DEVICE**

(75) Inventor: **Anna Illes Csok**, Budapest (HU)

(73) Assignee: **Illés Csók és Társa Vegyeskereskedő Kft**, Budapest (HU)

(**) Term: **14 Years**

(21) Appl. No.: **29/386,323**

(22) Filed: **Feb. 28, 2011**

(30) **Foreign Application Priority Data**

Aug. 30, 2010 (EM) 001748377
Sep. 1, 2010 (EM) 001749375

(51) **LOC (9) Cl.** **24-01**

(52) **U.S. Cl.**
USPC **D24/108**

(58) **Field of Classification Search** D24/107–108,
D24/111–113, 152, 130, 117; 604/28, 30,
604/131, 150, 35, 73, 48, 146, 149, 313–316,
604/540, 275

See application file for complete search history.

(56) **References Cited**

U.S. PATENT DOCUMENTS

D176,904 S * 2/1956 Brown et al. D24/113
3,847,145 A * 11/1974 Grossan 601/160
D300,561 S * 4/1989 Asa et al. D24/112
D344,131 S * 2/1994 Hubbell D24/108
5,899,878 A * 5/1999 Glassman 604/48
D536,781 S * 2/2007 Yanes et al. D24/108
2009/0240239 A1 * 9/2009 Yardley 604/540
2010/0286597 A1 * 11/2010 Wang 604/35

(Continued)

Primary Examiner — Wan Laymon

(74) *Attorney, Agent, or Firm* — Stein IP, LLC

(57) **CLAIM**

The ornamental design for a nasal cleaning device, as shown and described.

DESCRIPTION

FIG. 1 is a top plan view of a first embodiment of Applicant's nasal cleaning device; with a portion of the flexible tube and receptacle removed for ease of illustration;

FIG. 2 is a front elevational view of the nasal cleaning device of FIG. 1; with a portion of the flexible tube and the receptacle removed for ease of illustration;

FIG. 3 is a rear elevational of the nasal cleaning device of FIG. 1; with a portion of the flexible tube and the receptacle removed for ease of illustration;

FIG. 4 is a top plan view of the nasal cleaning device of FIG. 1 connected, by a flexible tube, to a receptacle;

FIG. 5 is a top plan view of a second embodiment of Applicant's nasal cleaning device; with the flexible tube and the receptacle removed for ease of illustration;

FIG. 6 is a front elevational view thereof;

FIG. 7 is a rear elevational view thereof; and,

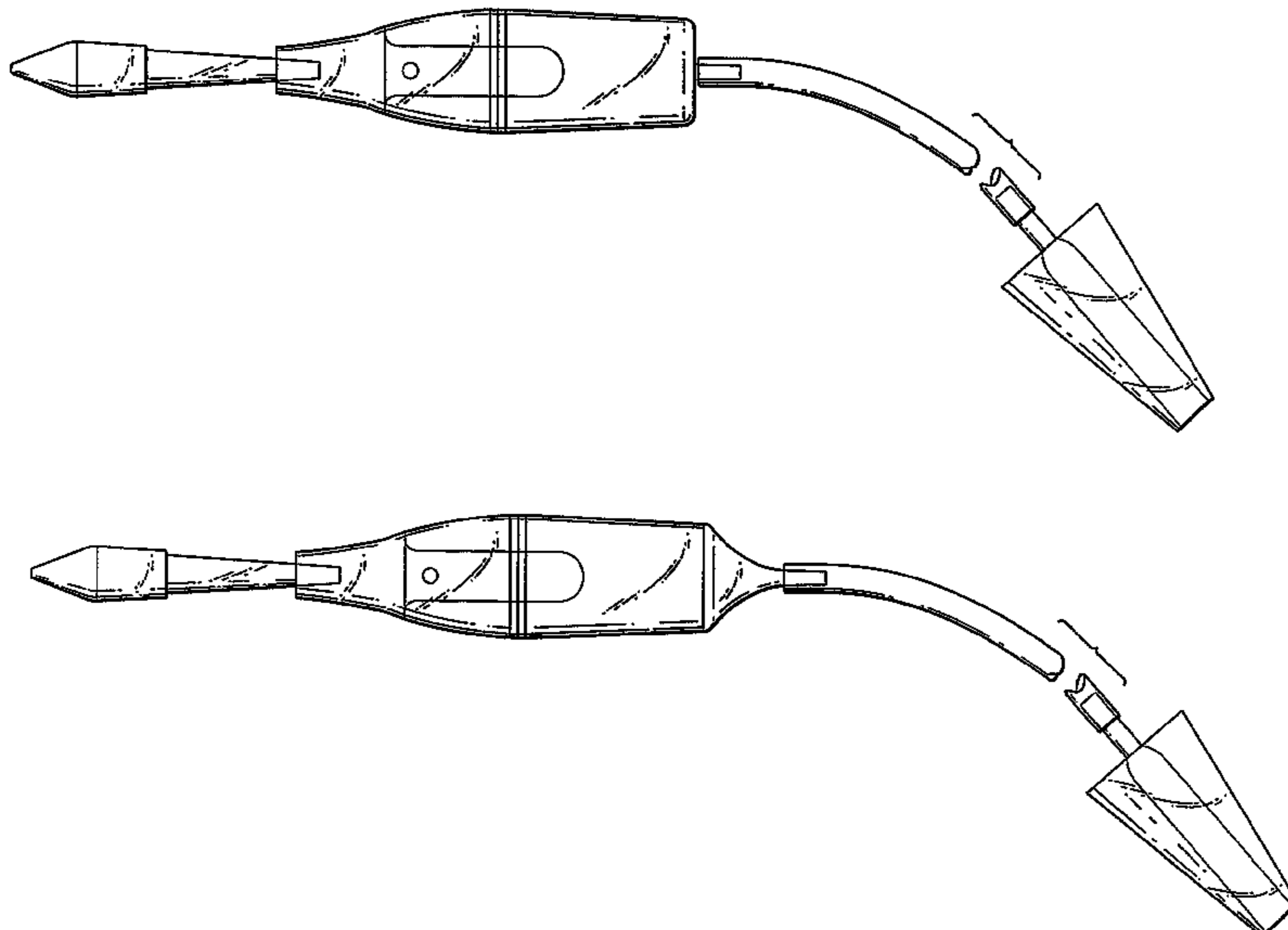
FIG. 8 is a top plan view of the nasal cleaning device of FIG. 5 connected, by a flexible tube, to a receptacle.

Applicant's nasal cleaning device includes a probe with a tip for insertion into the nose of the patient, and a hollow body or receptacle for receiving the mucus collected from the nose of the patient.

The tube portion is shown broken in the middle, along the length in FIGS. 4 and 8, to indicate indeterminate length, with the understanding that the "indeterminate" portion of the nasal cleaning device forms no part of the claimed design. Patentability is based only on those portions of the nasal cleaning device shown in solid lines.

The broken line in FIG. 3 is included for the purpose of illustrating portions of the nasal cleaning device that forms no part of the claimed design.

1 Claim, 4 Drawing Sheets



US D682,417 S

Page 2

U.S. PATENT DOCUMENTS	2012/0053519 A1*	3/2012	Wang	604/131
2011/0054377 A1*	3/2011	Lafe	604/540	
2011/0054389 A1*	3/2011	Do	604/28	* cited by examiner

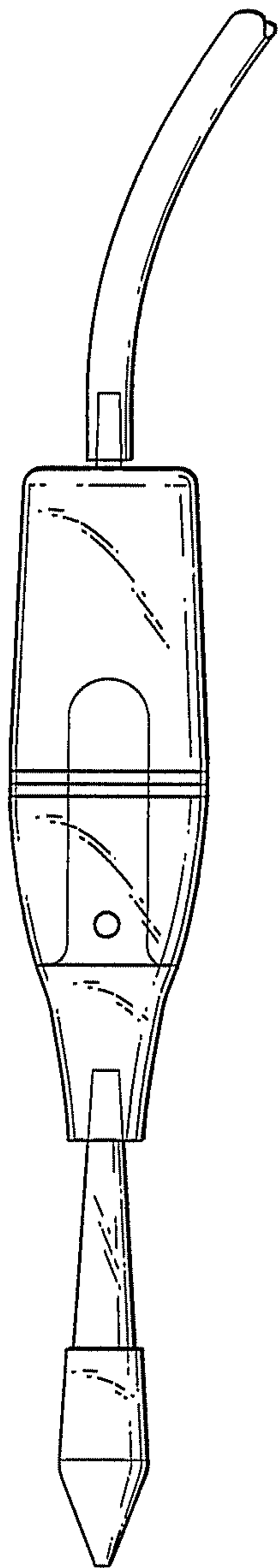


FIG. 1

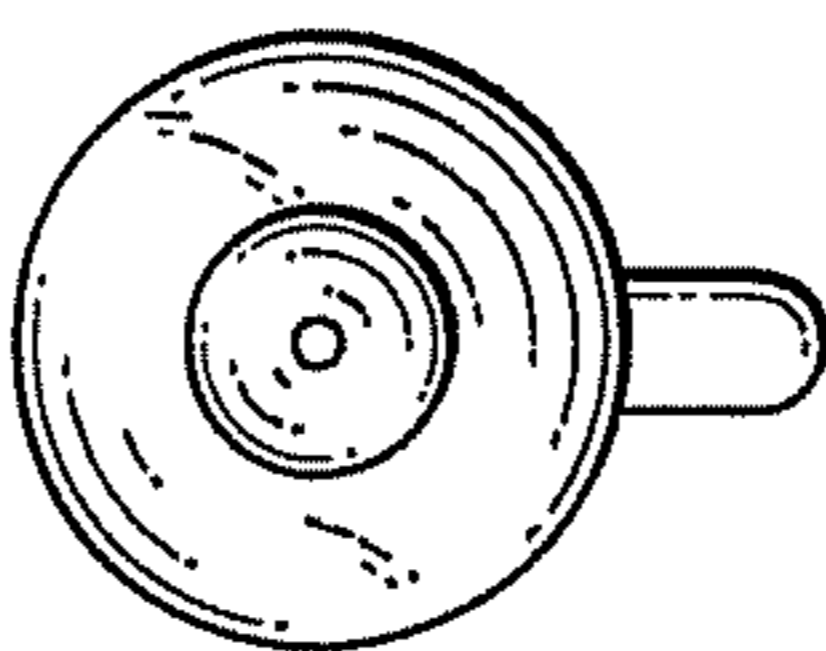


FIG. 2

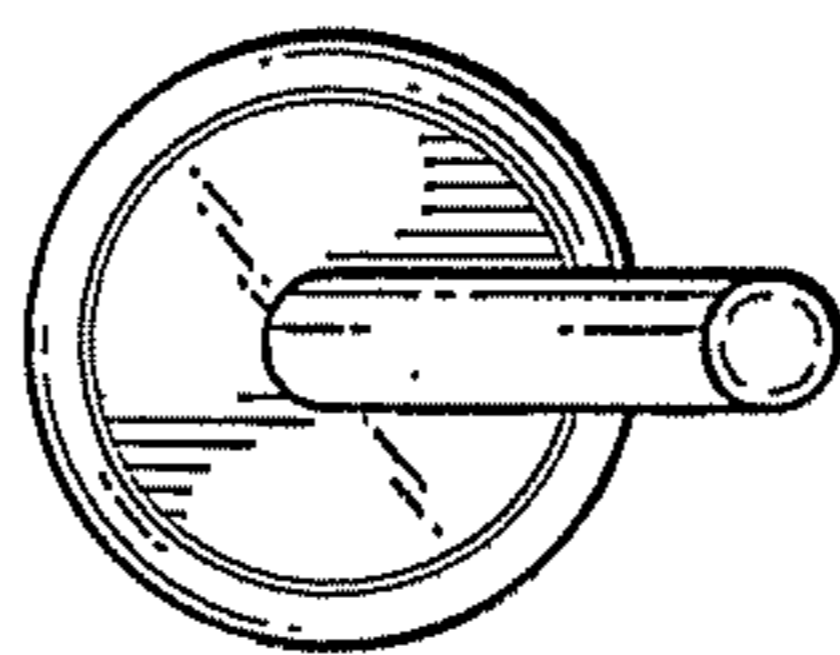


FIG. 3

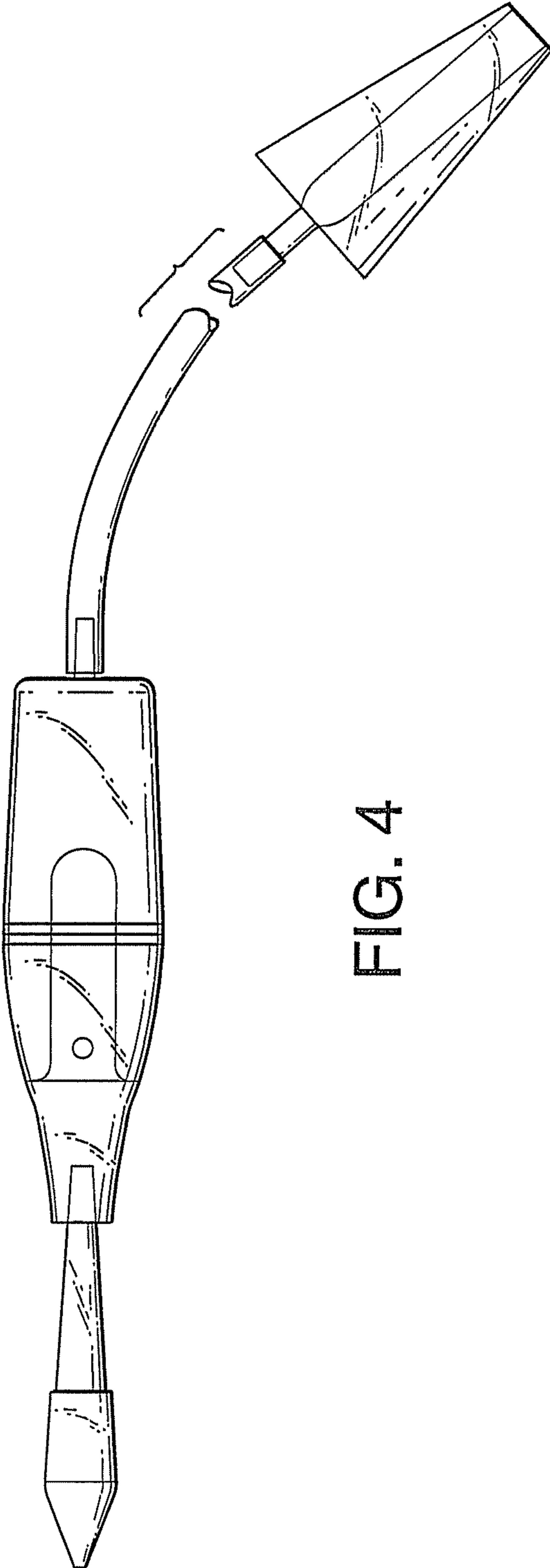


FIG. 4

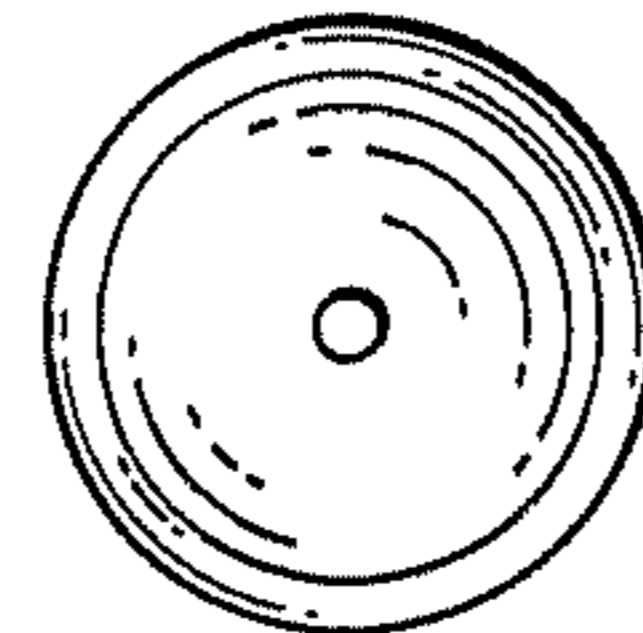


FIG. 7

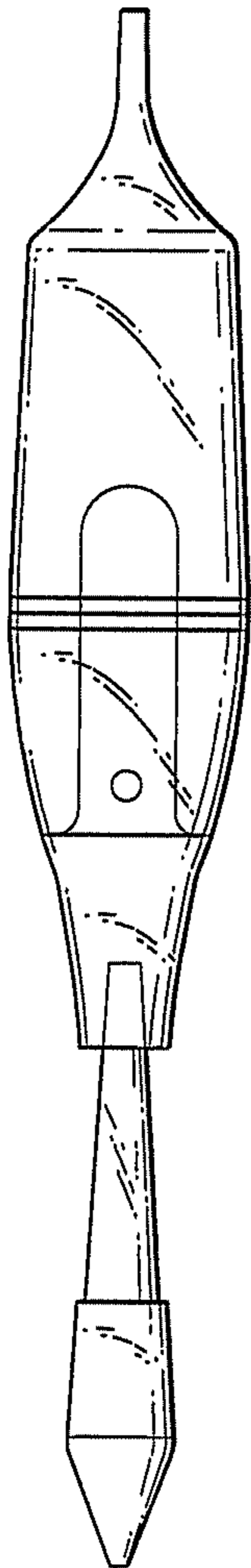


FIG. 5

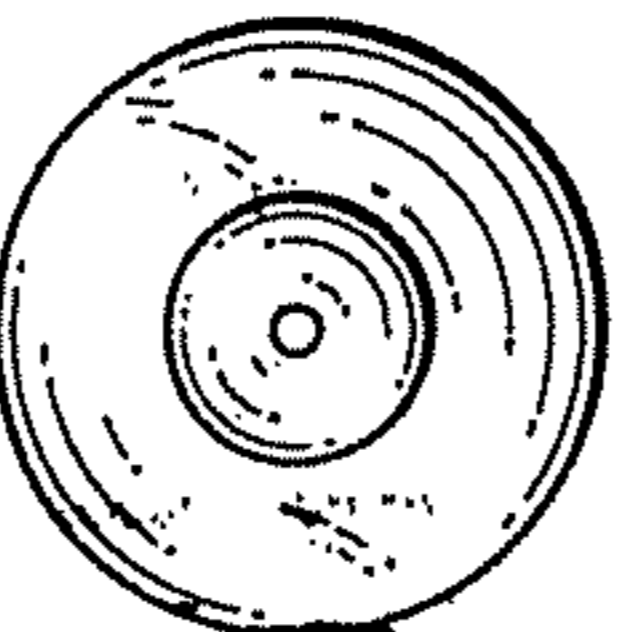


FIG. 6

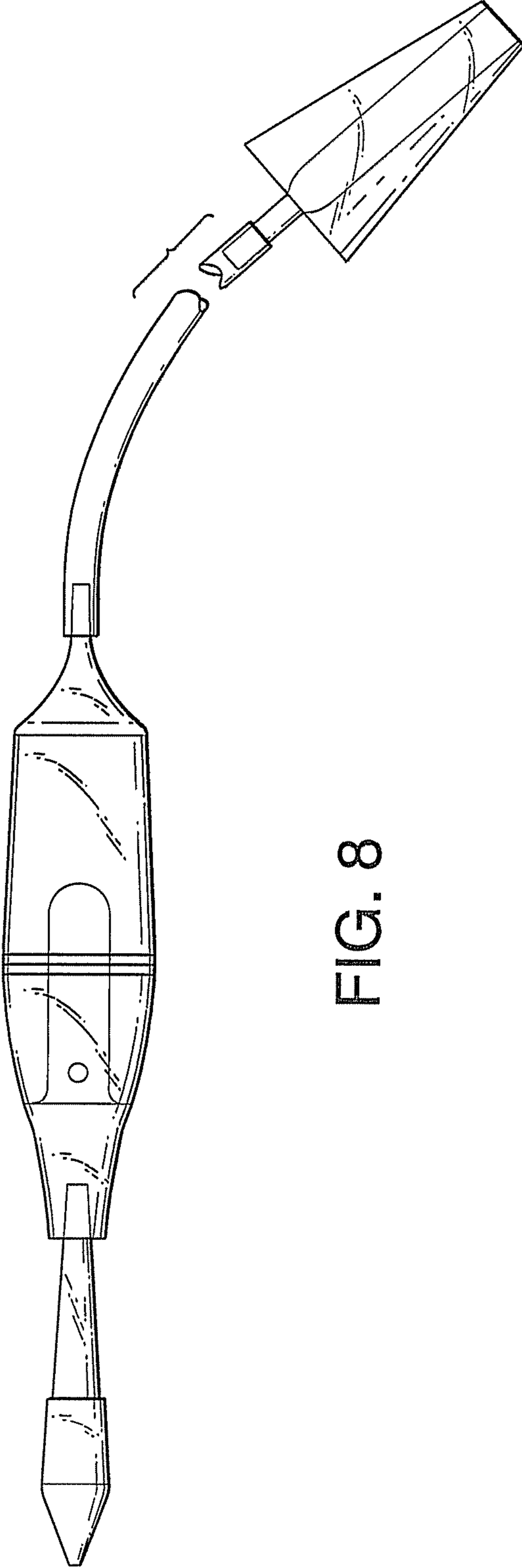


FIG. 8