



US00D682416S

(12) **United States Design Patent**
Trebella

(10) **Patent No.:** **US D682,416 S**

(45) **Date of Patent:** **** *May 14, 2013**

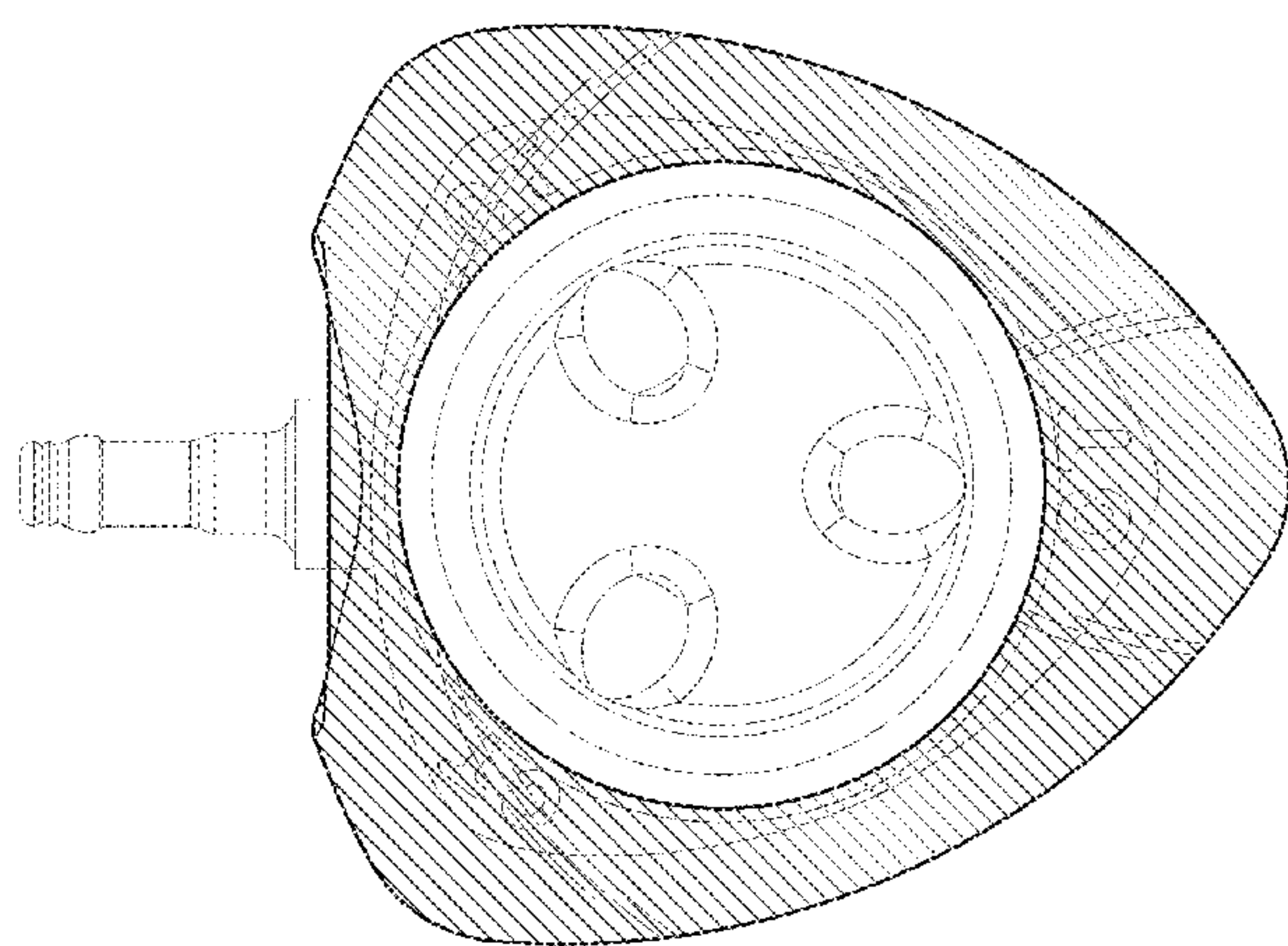
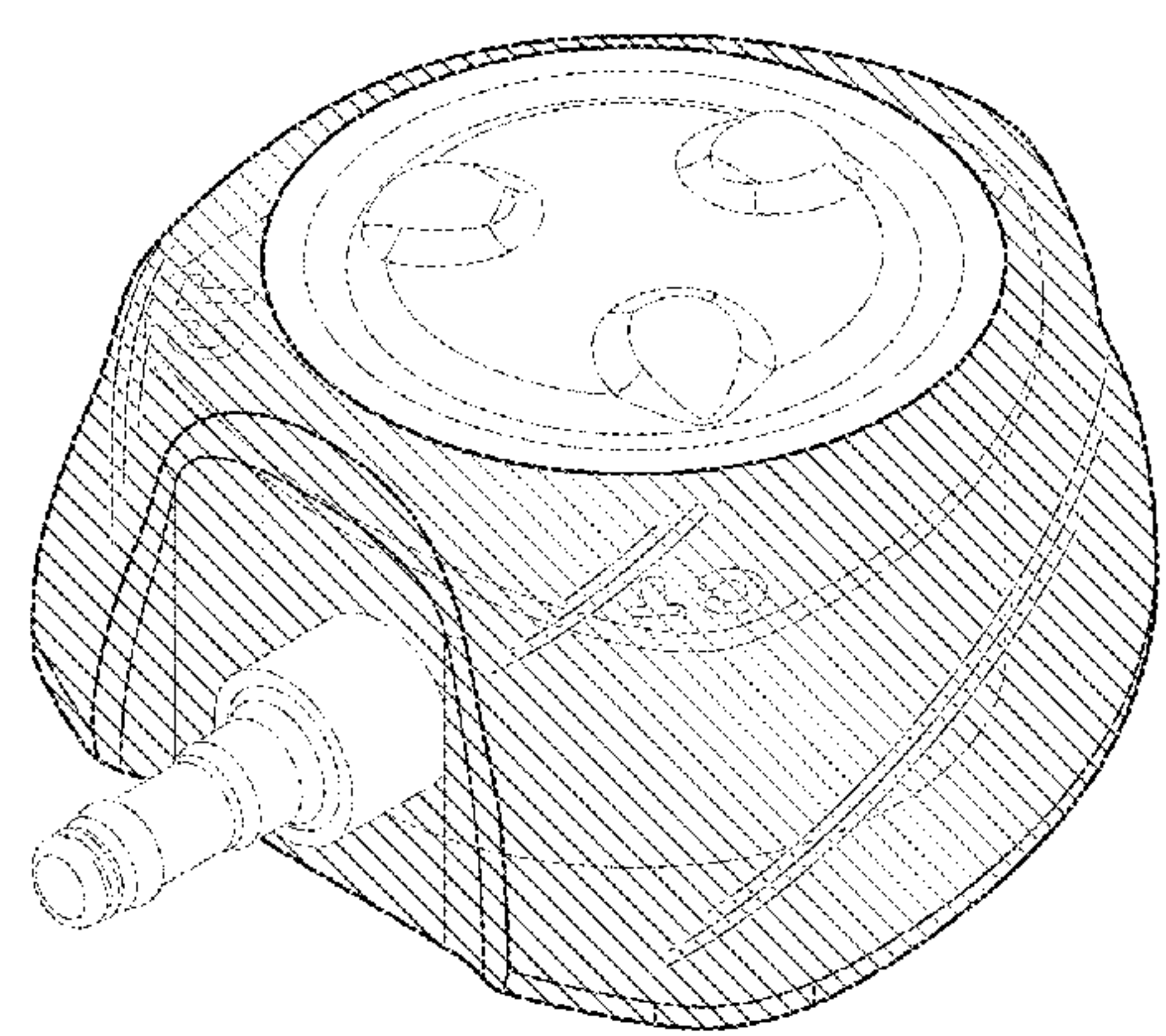
- (54) **IMPLANTABLE ACCESS PORT**
- (75) Inventor: **Matthew R. Trebella**, Stansbury Park, UT (US)
- (73) Assignee: **C. R. Bard, Inc.**, Murray Hill, NJ (US)
- (*) Notice: This patent is subject to a terminal disclaimer.
- (**) Term: **14 Years**
- (21) Appl. No.: **29/382,235**
- (22) Filed: **Dec. 30, 2010**
- (51) **LOC (9) Cl.** **24-01**
- (52) **U.S. Cl.**
USPC **D24/108**
- (58) **Field of Classification Search** D24/108,
D24/111, 117, 129, 155, 216, 224; D13/167;
600/431; 604/9, 19, 23, 48, 93.01, 131-133,
604/141, 151, 173-175, 185, 288.01-288.04,
604/890.1, 891.1
See application file for complete search history.

3,529,633 A	9/1970	Vailancourt
3,541,438 A	11/1970	Nelsen et al.
3,643,358 A	2/1972	Morderosian
D223,340 S	4/1972	Broun
3,669,323 A	6/1972	Harker et al.
3,674,183 A	7/1972	Venable et al.
3,811,466 A	5/1974	Ohringer
3,829,904 A	8/1974	Ling et al.
3,831,583 A	8/1974	Edmunds, Jr. et al.
3,840,009 A	10/1974	Michaels et al.
3,853,127 A	12/1974	Spademan
3,891,997 A	7/1975	Herbert
3,915,162 A	10/1975	Miller
3,919,724 A	11/1975	Sanders et al.
3,922,726 A	12/1975	Trentani et al.
3,951,147 A	4/1976	Tucker et al.
3,955,594 A	5/1976	Snow
3,971,376 A	7/1976	Wichterle
4,027,391 A	6/1977	Samis
4,035,653 A	7/1977	Karasko
4,121,108 A	10/1978	Manor
4,123,806 A	11/1978	Amstutz et al.
4,143,853 A	3/1979	Abramson
4,168,586 A	9/1979	Samis
4,190,040 A	2/1980	Schulte
4,190,057 A	2/1980	Hill et al.
4,194,122 A	3/1980	Mitchell et al.
4,196,731 A	4/1980	Laurin et al.
4,202,349 A	5/1980	Jones
4,222,374 A	9/1980	Sampson et al.
4,233,964 A	11/1980	Jefferts et al.
4,274,006 A	6/1981	Caine
D263,335 S	3/1982	Bujan
4,349,498 A	9/1982	Ellis et al.
4,361,153 A	11/1982	Slocum et al.
4,405,305 A	9/1983	Stephen et al.
4,406,567 A	9/1983	Samis
4,425,119 A	1/1984	Berglund
4,445,896 A	5/1984	Gianturco
4,447,237 A	5/1984	Frisch et al.
4,450,592 A	5/1984	Niederer et al.
4,450,985 A	5/1984	Beard
4,456,011 A	6/1984	Warnecke
4,469,483 A	9/1984	Becker et al.
4,479,798 A	10/1984	Parks
4,494,545 A	1/1985	Slocum et al.
4,506,676 A	3/1985	Duska
4,529,635 A	7/1985	Sheldon
4,543,088 A	9/1985	Bootman et al.
4,549,879 A	10/1985	Groshong et al.
4,559,043 A	12/1985	Whitehouse et al.
4,559,046 A	12/1985	Groshong et al.
4,560,375 A	12/1985	Schulte et al.

(56) **References Cited**

U.S. PATENT DOCUMENTS

445,896 A	2/1891	Kinsman
546,440 A	9/1895	Tufts
574,387 A	1/1897	Buckler
611,357 A	9/1898	Dembinski
966,696 A	8/1910	Merrill
D44,302 S	7/1913	Director
1,713,267 A	5/1929	Crowley
2,029,553 A	2/1936	Bartischi et al.
D130,852 S	12/1941	Rothschild
2,433,480 A	12/1947	Rendich
2,891,689 A	6/1959	Gould
D198,453 S	6/1964	Weichselbaum
3,159,175 A	12/1964	Macmillan
3,211,431 A	10/1965	Meysenbourg et al.
3,293,663 A	12/1966	Cronin
3,341,417 A	9/1967	Sinaiko
3,477,438 A	11/1969	Allen et al.
3,518,428 A	6/1970	Ring
3,525,357 A	8/1970	Koreski



US D682,416 S

Page 2

4,569,675 A	2/1986	Prosl et al.	5,053,013 A	10/1991	Ensminger et al.
4,571,749 A	2/1986	Fischell	5,059,186 A	10/1991	Yamamoto et al.
4,576,595 A	3/1986	Aas et al.	5,069,206 A	12/1991	Crosbie
4,610,665 A	9/1986	Matsumoto et al.	5,084,015 A	1/1992	Moriuchi
4,612,877 A	9/1986	Hayes et al.	5,085,216 A	2/1992	Henley, Jr. et al.
4,626,244 A	12/1986	Reinicke	5,090,066 A	2/1992	Schoepe et al.
4,627,844 A	12/1986	Schmitt	5,092,849 A	3/1992	Sampson
4,634,427 A	1/1987	Hannula et al.	5,108,317 A	4/1992	Beinhaur et al.
4,636,194 A	1/1987	Schulte et al.	5,108,375 A	4/1992	Harrison et al.
4,636,213 A	1/1987	Pakiam	5,108,377 A	4/1992	Cone et al.
4,645,495 A	2/1987	Vaillancourt	5,112,301 A	5/1992	Fenton, Jr. et al.
4,653,508 A	3/1987	Cosman	5,112,303 A	5/1992	Pudenz et al.
4,655,765 A	4/1987	Swift	5,129,891 A	7/1992	Young
4,657,024 A	4/1987	Coneys	5,137,529 A	8/1992	Watson et al.
4,662,652 A	5/1987	Hargis	5,147,483 A	9/1992	Melsky et al.
4,668,221 A	5/1987	Luther	5,152,753 A	10/1992	Laguetta et al.
4,671,796 A	6/1987	Groshong et al.	5,156,600 A	10/1992	Young
4,673,394 A	6/1987	Fenton, Jr. et al.	5,158,547 A	10/1992	Doan et al.
4,681,560 A	7/1987	Schulte et al.	5,167,629 A	12/1992	Vertenstein et al.
4,684,365 A	8/1987	Reinicke	5,167,633 A	12/1992	Mann et al.
4,685,447 A	8/1987	Iversen et al.	5,167,638 A	12/1992	Felix et al.
4,685,905 A	8/1987	Jeanneret nee Aab	5,169,393 A	12/1992	Moorehead et al.
4,692,146 A	9/1987	Hilger	5,171,228 A	12/1992	McDonald
4,695,273 A	9/1987	Brown	5,176,653 A	1/1993	Metals
4,697,595 A	10/1987	Breyer et al.	5,176,662 A	1/1993	Bartholomew et al.
4,701,166 A	10/1987	Groshong et al.	5,178,612 A	1/1993	Fenton, Jr.
4,704,103 A	11/1987	Stober et al.	5,180,365 A	1/1993	Ensminger et al.
4,710,167 A	12/1987	Lazorthes	5,185,003 A	2/1993	Brethauer
4,710,174 A	12/1987	Moden et al.	5,189,690 A	2/1993	Samuel
4,718,894 A	1/1988	Lazorthes	5,193,106 A	3/1993	DeSena
4,728,894 A	3/1988	Yoda et al.	5,195,122 A	3/1993	Fabian
4,743,231 A	5/1988	Kay et al.	5,195,123 A	3/1993	Clement
4,753,640 A	6/1988	Nichols et al.	5,201,715 A	4/1993	Masters
4,755,173 A	7/1988	Konopka et al.	5,201,722 A	4/1993	Moorehead et al.
4,760,837 A	8/1988	Petit	5,203,771 A	4/1993	Melker et al.
4,762,517 A	8/1988	McIntyre et al.	5,203,777 A	4/1993	Lee
4,767,410 A	8/1988	Moden et al.	5,205,834 A	4/1993	Moorehead et al.
4,772,270 A	9/1988	Wiita et al.	5,207,644 A	5/1993	Strecker
4,772,276 A	9/1988	Wiita et al.	5,213,574 A	5/1993	Tucker
4,773,552 A	9/1988	Boege et al.	5,215,537 A	6/1993	Lynn et al.
4,778,452 A	10/1988	Moden et al.	5,222,499 A	6/1993	Allen et al.
4,781,680 A	11/1988	Redmond et al.	D337,637 S	7/1993	Tucker
4,781,685 A	11/1988	Lehmann et al.	5,224,938 A	7/1993	Fenton, Jr.
4,781,695 A	11/1988	Dalton	5,242,415 A	9/1993	Kantrowitz et al.
4,802,885 A	2/1989	Weeks et al.	5,249,598 A	10/1993	Schmidt
4,804,054 A	2/1989	Howson et al.	5,263,930 A	11/1993	Ensminger
4,820,273 A	4/1989	Reinicke	D342,134 S	12/1993	Mongeon
4,822,341 A	4/1989	Colone	5,281,199 A	1/1994	Ensminger et al.
4,840,615 A	6/1989	Hancock et al.	5,281,205 A	1/1994	McPherson
4,848,346 A	7/1989	Crawford	5,290,263 A	3/1994	Wigness et al.
4,857,053 A	8/1989	Dalton	5,295,658 A	3/1994	Atkinson et al.
4,861,341 A	8/1989	Woodburn	5,299,253 A	3/1994	Wessels
4,863,470 A	9/1989	Carter	5,300,048 A	4/1994	Drewes, Jr. et al.
4,886,501 A	12/1989	Johnston et al.	5,309,863 A	5/1994	Leeb, Jr.
4,886,502 A	12/1989	Poirier et al.	5,312,337 A	5/1994	Flaherty et al.
4,892,518 A	1/1990	Cupp et al.	5,318,545 A	6/1994	Tucker
4,897,081 A	1/1990	Poirier et al.	5,320,100 A	6/1994	Herweck et al.
4,904,241 A	2/1990	Bark	5,328,480 A	7/1994	Melker et al.
4,905,709 A	3/1990	Bieganski et al.	5,332,398 A	7/1994	Miller et al.
4,908,029 A	3/1990	Bark et al.	5,336,194 A	8/1994	Polaschegg et al.
4,909,250 A	3/1990	Smith	5,338,398 A	8/1994	Szwejkowski et al.
4,915,690 A	4/1990	Cone et al.	5,350,360 A	9/1994	Ensminger et al.
4,928,298 A	5/1990	Tanaka	5,352,204 A	10/1994	Ensminger
4,929,236 A	5/1990	Sampson	5,356,381 A	10/1994	Ensminger et al.
4,955,861 A	9/1990	Enegren et al.	5,360,407 A	11/1994	Leonard et al.
4,961,267 A	10/1990	Herzog	5,383,223 A	1/1995	Inokuchi
4,963,133 A	10/1990	Whipple	5,383,233 A	1/1995	Russell
4,966,583 A	10/1990	Debbas	5,383,585 A	1/1995	Weiss
4,973,319 A	11/1990	Melsky	5,383,858 A	1/1995	Reilly et al.
4,983,162 A	1/1991	Metais et al.	D355,240 S	2/1995	Gladfelter et al.
5,002,735 A	3/1991	Alberhasky et al.	5,387,192 A	2/1995	Glantz et al.
5,006,115 A	4/1991	McDonald	5,394,457 A	2/1995	Leibinger et al.
5,009,391 A	4/1991	Steigerwald	5,395,324 A	3/1995	Hinrichs et al.
5,009,644 A	4/1991	McDonald	5,396,925 A	3/1995	Poli
5,013,298 A	5/1991	Moden et al.	5,397,329 A	3/1995	Allen
5,041,098 A	8/1991	Loiterman et al.	5,399,168 A	3/1995	Wadsworth, Jr. et al.
5,044,955 A	9/1991	Jagmin	5,405,402 A	4/1995	Dye et al.
5,045,060 A	9/1991	Melsky et al.	5,417,565 A	5/1995	Long
5,045,064 A	9/1991	Idriss	5,417,656 A	5/1995	Ensminger et al.

US D682,416 S

5,421,814 A	6/1995	Geary	5,853,394 A	12/1998	Tolkoff et al.
5,423,334 A	6/1995	Jordan	5,868,702 A	2/1999	Stevens et al.
5,425,762 A	6/1995	Muller	5,879,322 A	3/1999	Lattin et al.
5,453,097 A	9/1995	Paradis	5,882,341 A	3/1999	Bousquet
5,456,698 A	10/1995	Byland et al.	5,882,353 A	3/1999	VanBeek et al.
5,476,451 A	12/1995	Ensminger et al.	5,895,424 A	4/1999	Steele, Sr. et al.
5,476,460 A	12/1995	Montalvo	5,897,528 A	4/1999	Schultz
5,476,880 A	12/1995	Cooke et al.	5,904,934 A	5/1999	Maruyama et al.
5,484,402 A	1/1996	Saravia et al.	5,906,592 A	5/1999	Kriesel et al.
5,503,630 A	4/1996	Ensminger et al.	5,906,596 A	5/1999	Tallarida
5,507,813 A	4/1996	Dowd et al.	5,908,413 A	6/1999	Lange et al.
5,509,805 A	4/1996	Jagmin	5,908,414 A	6/1999	Otto et al.
5,513,637 A	5/1996	Twiss et al.	5,911,706 A	6/1999	Estabrook et al.
5,514,103 A	5/1996	Srisathapat et al.	5,913,998 A	6/1999	Butler et al.
5,520,632 A	5/1996	Leveen et al.	5,916,263 A	6/1999	Goicoechea et al.
5,520,643 A	5/1996	Ensminger et al.	5,919,160 A	7/1999	Sanfilippo, II
5,527,277 A	6/1996	Ensminger et al.	5,925,017 A	7/1999	Kriesel et al.
5,527,278 A	6/1996	Ensminger et al.	5,925,030 A	7/1999	Gross et al.
5,527,307 A	6/1996	Srisathapat et al.	5,928,197 A	7/1999	Niehoff
5,531,684 A	7/1996	Ensminger et al.	5,931,829 A	8/1999	Burbank et al.
5,542,923 A	8/1996	Ensminger et al.	5,941,856 A	8/1999	Kovacs et al.
5,545,143 A	8/1996	Fischell	5,944,023 A	8/1999	Johnson et al.
5,554,117 A	9/1996	Ensminger et al.	5,944,688 A	8/1999	Lois
5,556,381 A	9/1996	Ensminger et al.	5,944,698 A	8/1999	Fischer et al.
5,558,641 A	9/1996	Glantz et al.	5,944,712 A	8/1999	Frassica et al.
5,562,617 A	10/1996	Finch, Jr. et al.	D413,672 S	9/1999	Fogarty
5,562,618 A	10/1996	Cai et al.	5,947,953 A	9/1999	Ash et al.
5,575,770 A	11/1996	Melsky et al.	5,951,512 A	9/1999	Dalton
5,593,028 A	1/1997	Haber et al.	5,951,522 A	9/1999	Rosato et al.
5,593,434 A	1/1997	Williams	5,951,929 A	9/1999	Wilson
5,607,393 A	3/1997	Ensminger et al.	5,954,687 A	9/1999	Baudino
5,607,407 A	3/1997	Tolkoff et al.	5,954,691 A	9/1999	Prosl
5,613,945 A	3/1997	Cai et al.	5,957,890 A	9/1999	Mann et al.
5,620,419 A	4/1997	Lui et al.	5,961,497 A	10/1999	Larkin
5,632,729 A	5/1997	Cai et al.	5,968,011 A	10/1999	Larsen et al.
5,637,102 A	6/1997	Tolkoff et al.	5,970,162 A	10/1999	Kawashima
5,638,832 A	6/1997	Singer et al.	5,989,216 A	11/1999	Johnson et al.
5,647,855 A	7/1997	Trooskin	5,989,239 A	11/1999	Finch et al.
RE35,601 E	9/1997	Eckenhoff	5,989,641 A	11/1999	Oulie
5,662,612 A	9/1997	Niehoff	5,997,524 A	12/1999	Burbank et al.
5,662,616 A	9/1997	Bousquet	6,007,516 A	12/1999	Burbank et al.
5,676,146 A	10/1997	Scarborough	6,013,051 A	1/2000	Nelson
5,695,490 A	12/1997	Flaherty et al.	6,013,058 A	1/2000	Prosl et al.
5,702,128 A	12/1997	Maxim et al.	6,017,331 A	1/2000	Watts et al.
5,702,363 A	12/1997	Flaherty	6,022,335 A	2/2000	Ramadan
5,704,915 A	1/1998	Melsky et al.	6,033,389 A	3/2000	Cornish
5,707,357 A	1/1998	Mikhail et al.	6,039,712 A	3/2000	Fogarty et al.
5,709,668 A	1/1998	Wacks	6,056,717 A	5/2000	Finch et al.
5,713,844 A	2/1998	Peyman	6,077,756 A	6/2000	Lin et al.
5,713,858 A	2/1998	Heruth et al.	6,086,555 A	7/2000	Eliassen et al.
5,713,859 A	2/1998	Finch, Jr. et al.	6,090,066 A	7/2000	Schnell
5,718,382 A	2/1998	Jaeger	6,099,508 A	8/2000	Bousquet
5,718,682 A	2/1998	Tucker	6,102,884 A	8/2000	Squitieri
5,725,507 A	3/1998	Petrick	6,113,572 A	9/2000	Gailey et al.
5,733,336 A	3/1998	Neuenfeldt et al.	6,120,492 A	9/2000	Finch et al.
5,733,400 A	3/1998	Gore et al.	6,152,909 A	11/2000	Bagaoisan et al.
5,741,228 A	4/1998	Lambrecht et al.	6,161,033 A	12/2000	Kuhn
5,743,873 A	4/1998	Cai et al.	6,171,198 B1	1/2001	Lizama Troncoso et al.
5,743,891 A	4/1998	Tolkoff et al.	6,171,298 B1	1/2001	Matsuura et al.
5,746,460 A	5/1998	Marohl et al.	6,186,982 B1	2/2001	Gross et al.
5,755,780 A	5/1998	Finch, Jr. et al.	6,190,352 B1	2/2001	Haarala et al.
5,758,667 A	6/1998	Slettenmark	6,193,684 B1	2/2001	Burbank et al.
5,769,823 A	6/1998	Otto	6,198,807 B1	3/2001	DeSena
5,773,552 A	6/1998	Hutchings et al.	6,200,338 B1	3/2001	Solomon et al.
5,776,188 A	7/1998	Shepherd et al.	6,203,570 B1	3/2001	Baeke
5,792,104 A	8/1998	Speckman et al.	6,210,366 B1	4/2001	Sanfilippo, II
5,792,116 A	8/1998	Berg et al.	6,213,973 B1	4/2001	Eliassen et al.
5,792,123 A	8/1998	Ensminger	6,228,088 B1	5/2001	Miller et al.
5,797,886 A	8/1998	Roth et al.	6,251,059 B1	6/2001	Apple et al.
5,810,789 A	9/1998	Powers et al.	D445,175 S	7/2001	Bertheas
5,814,016 A	9/1998	Valley et al.	6,269,148 B1	7/2001	Jessop et al.
5,824,071 A	10/1998	Nelson et al.	6,272,370 B1	8/2001	Gillies et al.
5,830,172 A	11/1998	Leveen et al.	6,287,293 B1	9/2001	Jones et al.
5,833,654 A	11/1998	Powers et al.	6,290,677 B1	9/2001	Arai et al.
5,835,563 A	11/1998	Navab et al.	6,305,413 B1	10/2001	Fischer et al.
5,836,935 A	11/1998	Ashton et al.	6,306,124 B1	10/2001	Jones et al.
5,840,063 A	11/1998	Flaherty	D450,115 S	11/2001	Bertheas
5,843,069 A	12/1998	Butler et al.	6,332,874 B1	12/2001	Eliassen et al.
5,848,989 A	12/1998	Villani	6,355,021 B1	3/2002	Nielsen et al.

US D682,416 S

Page 4

6,356,782 B1	3/2002	Sirimanne et al.	7,229,417 B2	6/2007	Foerster et al.
6,361,557 B1	3/2002	Gittings et al.	7,235,067 B2	6/2007	Morris et al.
6,398,764 B1	6/2002	Finch, Jr. et al.	D546,440 S	7/2007	Burnside
6,419,680 B1	7/2002	Cosman et al.	7,242,982 B2	7/2007	Singhal et al.
6,450,937 B1	9/2002	Mercereau et al.	7,252,469 B2	8/2007	Zaluzec et al.
6,473,638 B2	10/2002	Ferek-Petric	7,252,649 B2	8/2007	Sherry
6,475,516 B2	11/2002	DiCosmo et al.	7,261,705 B2	8/2007	Edoga et al.
6,478,783 B1	11/2002	Moorehead	D550,355 S	9/2007	Racz et al.
6,482,217 B1	11/2002	Pintor et al.	D554,253 S	10/2007	Kornerup
6,494,867 B1	12/2002	Elver et al.	7,275,682 B2	10/2007	Excoffier et al.
6,497,062 B1	12/2002	Koopman et al.	7,276,075 B1	10/2007	Callas et al.
6,500,155 B2	12/2002	Sasso	D556,153 S	11/2007	Burnside
6,503,228 B1	1/2003	Li et al.	7,306,579 B2	12/2007	Fujii
6,527,754 B1	3/2003	Tallarida et al.	7,311,702 B2	12/2007	Tallarida et al.
6,537,255 B1	3/2003	Raines	7,318,816 B2	1/2008	Bobroff et al.
RE38,074 E	4/2003	Recinella et al.	7,318,818 B2	1/2008	Yashiro et al.
6,562,023 B1	5/2003	Marrs et al.	7,322,953 B2	1/2008	Redinger
6,572,583 B1	6/2003	Olsen et al.	D562,442 S	2/2008	Blateri
6,582,418 B1	6/2003	Verbeek et al.	D562,443 S	2/2008	Zinn et al.
6,592,571 B1	7/2003	Verbeek et al.	7,331,130 B2	2/2008	Schweikert
6,610,031 B1	8/2003	Chin	7,331,948 B2	2/2008	Skarda
6,613,002 B1	9/2003	Clark et al.	7,333,013 B2	2/2008	Berger
6,613,662 B2	9/2003	Wark et al.	D564,449 S	3/2008	Dewberry
6,626,936 B2	9/2003	Stinson	7,347,838 B2	3/2008	Kulli
D480,942 S	10/2003	Ishida et al.	7,347,843 B2	3/2008	Adams et al.
6,629,950 B1	10/2003	Levin	7,351,233 B2	4/2008	Parks
6,632,217 B2	10/2003	Harper et al.	7,377,915 B2	5/2008	Rasmussen et al.
6,652,486 B2	11/2003	Bialecki et al.	D574,950 S	8/2008	Zawacki et al.
6,652,503 B1	11/2003	Bradley	7,413,564 B2	8/2008	Morris et al.
6,663,646 B1	12/2003	Shah	D578,203 S	10/2008	Bizup
6,676,633 B2	1/2004	Smith et al.	7,445,614 B2	11/2008	Bunodiene et al.
6,697,664 B2	2/2004	Kienzle, III et al.	D582,032 S	12/2008	Bizup et al.
6,705,316 B2	3/2004	Blythe et al.	7,465,847 B2	12/2008	Fabian
6,719,721 B1	4/2004	Okazaki et al.	D590,499 S	4/2009	Chesnin
6,719,739 B2	4/2004	Verbeek et al.	7,553,298 B2	6/2009	Hunt et al.
6,726,063 B2	4/2004	Stull et al.	D595,892 S	7/2009	Smith et al.
6,738,531 B1	5/2004	Funahashi	7,563,025 B2	7/2009	Kay
6,755,842 B2	6/2004	Kanner et al.	7,658,196 B2	2/2010	Ferreri et al.
6,758,841 B2	7/2004	Haarala et al.	D612,479 S	3/2010	Zawacki et al.
6,767,356 B2	7/2004	Kanner et al.	D613,394 S	4/2010	Linden
6,784,783 B2	8/2004	Scoggin et al.	7,713,251 B2	5/2010	Tallarida et al.
6,808,738 B2	10/2004	DiTizio et al.	D619,242 S	7/2010	Zinn et al.
D498,894 S	11/2004	Gould	7,785,302 B2	8/2010	Powers
6,826,257 B2	11/2004	Sayre et al.	D629,503 S	12/2010	Caffey et al.
6,827,709 B2	12/2004	Fujii	7,846,139 B2	12/2010	Zinn et al.
6,852,106 B2	2/2005	Watson et al.	D634,840 S	3/2011	Lombardi, III et al.
6,878,136 B2	4/2005	Fleury et al.	7,909,804 B2	3/2011	Stats
6,878,137 B2	4/2005	Benchetrit	7,947,022 B2	5/2011	Amin et al.
6,929,631 B1	8/2005	Brugger et al.	7,959,615 B2	6/2011	Stats et al.
6,949,084 B2	9/2005	Marggi et al.	7,972,314 B2	7/2011	Bizup et al.
6,962,577 B2	11/2005	Tallarida et al.	8,021,324 B2	9/2011	Bizup et al.
6,962,580 B2	11/2005	Adams et al.	8,025,639 B2	9/2011	Powers et al.
6,994,315 B2	2/2006	Ryan et al.	8,029,482 B2	10/2011	Maniar et al.
6,997,914 B2	2/2006	Smith et al.	D650,475 S	12/2011	Smith et al.
7,008,377 B2	3/2006	Beane et al.	8,075,536 B2	12/2011	Gray et al.
7,008,412 B2	3/2006	Maginot	8,092,435 B2	1/2012	Beling et al.
7,016,456 B2	3/2006	Basu et al.	8,147,455 B2	4/2012	Butts et al.
7,018,361 B2	3/2006	Gillespie, Jr. et al.	8,172,894 B2	5/2012	Schmid et al.
D518,573 S	4/2006	French	8,172,896 B2	5/2012	McNamara et al.
7,033,335 B2	4/2006	Haarala et al.	8,177,762 B2	5/2012	Beasley et al.
7,033,339 B1	4/2006	Lynn	8,197,454 B2	6/2012	Mann et al.
7,044,942 B2	5/2006	Jolly et al.	8,202,259 B2	6/2012	Evans et al.
7,056,316 B1	6/2006	Burbank et al.	8,257,325 B2	9/2012	Schweikert et al.
7,070,591 B2	7/2006	Adams et al.	2001/0016717 A1	8/2001	Haarala et al.
7,072,704 B2	7/2006	Bucholz	2001/0047165 A1	11/2001	Makower et al.
7,074,232 B2	7/2006	Kanner et al.	2001/0051766 A1	12/2001	Gazdzinski
7,076,305 B2	7/2006	Imran et al.	2001/0053889 A1	12/2001	Marggi et al.
7,083,593 B2	8/2006	Stultz	2001/0056266 A1	12/2001	Tallarida et al.
7,108,686 B2	9/2006	Burke et al.	2002/0013557 A1	1/2002	Sherry
7,123,690 B1	10/2006	Brown et al.	2002/0095205 A1	7/2002	Edwin et al.
7,127,040 B2	10/2006	Sayre et al.	2002/0121530 A1	9/2002	Socier
7,131,962 B1	11/2006	Estabrook et al.	2002/0138068 A1	9/2002	Watson et al.
7,140,769 B2	11/2006	Kay	2002/0173769 A1	11/2002	Gray et al.
7,186,236 B2	3/2007	Gibson et al.	2002/0188282 A1	12/2002	Greenberg
7,191,011 B2	3/2007	Cantlon	2003/0028173 A1	2/2003	Forsberg
7,198,631 B2	4/2007	Kanner et al.	2003/0109856 A1	6/2003	Sherry
7,214,207 B2	5/2007	Lynch et al.	2003/0130627 A1	7/2003	Smith et al.
7,214,215 B2	5/2007	Heinzerling et al.	2003/0139812 A1	7/2003	Garcia et al.
7,223,257 B2	5/2007	Shubayev et al.	2003/0141477 A1	7/2003	Miller

US D682,416 S

Page 5

2003/0181878	A1	9/2003	Tallarida et al.	2007/0007839	A1	1/2007	Lin
2003/0191452	A1	10/2003	Meglin et al.	2007/0010881	A1	1/2007	Soye et al.
2003/0208184	A1	11/2003	Burke et al.	2007/0016162	A1	1/2007	Burbank et al.
2003/0216694	A1	11/2003	Tollini	2007/0049806	A1	3/2007	Adams et al.
2003/0217659	A1	11/2003	Yamamoto et al.	2007/0049876	A1	3/2007	Patton
2004/0002693	A1	1/2004	Bright et al.	2007/0055290	A1	3/2007	Lober
2004/0006316	A1	1/2004	Patton	2007/0073250	A1	3/2007	Schneiter
2004/0020462	A1	2/2004	Sauler et al.	2007/0078391	A1	4/2007	Wortley et al.
2004/0020492	A1	2/2004	Dubrul et al.	2007/0078416	A1	4/2007	Eliassen
2004/0044306	A1	3/2004	Lynch et al.	2007/0078432	A1	4/2007	Halseth et al.
2004/0054352	A1	3/2004	Adams et al.	2007/0083111	A1	4/2007	Hossack et al.
2004/0056266	A1	3/2004	Suh et al.	2007/0083156	A1	4/2007	Muto et al.
2004/0064110	A1	4/2004	Forsell	2007/0100302	A1	5/2007	Dicarlo et al.
2004/0073196	A1	4/2004	Adams et al.	2007/0112332	A1	5/2007	Harding et al.
2004/0078000	A1	4/2004	Borchard et al.	2007/0120683	A1	5/2007	Flippen et al.
2004/0086568	A1	5/2004	Ditizio et al.	2007/0123831	A1	5/2007	Haindl et al.
2004/0087877	A1	5/2004	Besz et al.	2007/0135775	A1	6/2007	Edoga et al.
2004/0106878	A1	6/2004	Skujins et al.	2007/0149920	A1	6/2007	Michels et al.
2004/0106891	A1	6/2004	Langan et al.	2007/0149921	A1	6/2007	Michels et al.
2004/0133173	A1	7/2004	Edoga et al.	2007/0161958	A1	7/2007	Glenn
2004/0157952	A1	8/2004	Soffiati et al.	2007/0179456	A1	8/2007	Glenn
2004/0158207	A1	8/2004	Hunn et al.	2007/0185462	A1	8/2007	Byrum
2004/0167543	A1	8/2004	Mazzocchi et al.	2007/0191773	A1	8/2007	Wojcik
2004/0176743	A1	9/2004	Morris et al.	2007/0207335	A1	9/2007	Karandikar et al.
2004/0186444	A1	9/2004	Daly et al.	2007/0208313	A1	9/2007	Conlon et al.
2004/0199129	A1	10/2004	DiMatteo	2007/0219510	A1	9/2007	Zinn et al.
2004/0199220	A1	10/2004	Cantlon	2007/0233017	A1	10/2007	Zinn et al.
2004/0204692	A1	10/2004	Eliassen	2007/0233018	A1	10/2007	Bizup et al.
2004/0225254	A1	11/2004	Tanaka et al.	2007/0255226	A1	11/2007	Tennican et al.
2004/0254536	A1	12/2004	Conlon et al.	2007/0255234	A1	11/2007	Haase et al.
2004/0254537	A1	12/2004	Conlon et al.	2007/0270691	A1	11/2007	Bailey et al.
2005/0010176	A1	1/2005	Dikeman et al.	2007/0270770	A1	11/2007	Bizup
2005/0027234	A1	2/2005	Waggoner et al.	2007/0276344	A1	11/2007	Bizup et al.
2005/0027261	A1	2/2005	Weaver et al.	2007/0276355	A1	11/2007	Nielsen et al.
2005/0038390	A1	2/2005	Fago et al.	2007/0282308	A1	12/2007	Bell
2005/0049553	A1	3/2005	Triplett et al.	2007/0293800	A1	12/2007	McMaken et al.
2005/0070875	A1	3/2005	Kulesa	2007/0299408	A1	12/2007	Alferness et al.
2005/0075614	A1	4/2005	Bunodiare et al.	2008/0004642	A1	1/2008	Birk et al.
2005/0080401	A1	4/2005	Peavey	2008/0008654	A1	1/2008	Clarke et al.
2005/0085778	A1	4/2005	Parks	2008/0015701	A1	1/2008	Garcia et al.
2005/0113806	A1	5/2005	De Carvalho et al.	2008/0039820	A1	2/2008	Sommers et al.
2005/0124980	A1	6/2005	Sanders	2008/0048855	A1	2/2008	Berger
2005/0131352	A1	6/2005	Conlon et al.	2008/0108949	A1	5/2008	Beasley et al.
2005/0148866	A1	7/2005	Gunderson	2008/0114308	A1	5/2008	di Palma et al.
2005/0148956	A1	7/2005	Conlon et al.	2008/0133265	A1	6/2008	Silkaitis et al.
2005/0148957	A1	7/2005	Girard et al.	2008/0137923	A1	6/2008	Spahn
2005/0152841	A1	7/2005	Sayre et al.	2008/0138387	A1	6/2008	Machiraju
2005/0171502	A1	8/2005	Daly et al.	2008/0140025	A1	6/2008	Sheetz et al.
2005/0182857	A1	8/2005	Kong	2008/0208236	A1	8/2008	Hobbs et al.
2005/0209573	A1	9/2005	Brugger et al.	2008/0281279	A1	11/2008	Hoendervoogt et al.
2005/0215874	A1	9/2005	Wang et al.	2008/0319398	A1	12/2008	Bizup
2005/0241203	A1	11/2005	Lizotte et al.	2008/0319399	A1	12/2008	Schweikert et al.
2005/0256451	A1	11/2005	Adams et al.	2008/0319405	A1	12/2008	Bizup
2005/0256500	A1	11/2005	Fujii	2009/0024024	A1	1/2009	Zinn
2005/0277899	A1	12/2005	Conlon et al.	2009/0024098	A1	1/2009	Bizup et al.
2005/0283119	A1	12/2005	Uth et al.	2009/0035582	A1	2/2009	Nakatani et al.
2006/0009788	A1	1/2006	Freeman et al.	2009/0118683	A1	5/2009	Hanson et al.
2006/0017341	A1	1/2006	Hahn et al.	2009/0156928	A1	6/2009	Evans et al.
2006/0084929	A1	4/2006	Eliassen	2009/0204072	A1	8/2009	Amin et al.
2006/0089619	A1	4/2006	Ginggen	2009/0204074	A1	8/2009	Powers et al.
2006/0100592	A1	5/2006	Eliassen	2009/0216216	A1	8/2009	Powers et al.
2006/0116648	A1	6/2006	Hamatake	2009/0221976	A1	9/2009	Linden
2006/0171980	A1	8/2006	Helmus et al.	2009/0227862	A1	9/2009	Smith et al.
2006/0173410	A1	8/2006	Moberg et al.	2009/0227951	A1	9/2009	Powers et al.
2006/0173424	A1	8/2006	Conlon	2009/0227964	A1	9/2009	Dicarlo et al.
2006/0178647	A1	8/2006	Stats	2010/0010339	A1	1/2010	Smith et al.
2006/0178648	A1	8/2006	Barron et al.	2010/0042073	A1	2/2010	Oster et al.
2006/0184141	A1	8/2006	Smith et al.	2010/0063451	A1	3/2010	Gray et al.
2006/0184142	A1	8/2006	Schon et al.	2010/0069743	A1	3/2010	Sheetz et al.
2006/0217359	A1	9/2006	Wentworth et al.	2010/0106094	A1	4/2010	Fisher et al.
2006/0217659	A1	9/2006	Patton	2010/0121283	A1	5/2010	Hamatake et al.
2006/0217668	A1	9/2006	Schulze et al.	2010/0211026	A2	8/2010	Sheetz et al.
2006/0224128	A1	10/2006	Lurvey et al.	2010/0268165	A1	10/2010	Maniar et al.
2006/0224129	A1	10/2006	Beasley et al.	2011/0092921	A1	4/2011	Beling et al.
2006/0241465	A1	10/2006	Huennekens et al.	2011/0098662	A1	4/2011	Zinn
2006/0247584	A1	11/2006	Sheetz et al.	2011/0098663	A1	4/2011	Zinn
2006/0253076	A1	11/2006	Butts et al.	2011/0118677	A1	5/2011	Wiley et al.
2006/0264898	A1	11/2006	Beasley et al.	2011/0257609	A1	10/2011	Bizup et al.
2007/0003603	A1	1/2007	Karandikar et al.	2011/0264058	A1	10/2011	Linden et al.

2011/0271856	A1	11/2011	Fisher et al.	
2011/0275930	A1*	11/2011	Jho et al.	600/424
2011/0276015	A1*	11/2011	Powers et al.	604/288.02
2011/0288502	A1*	11/2011	Hibdon et al.	604/288.01
2011/0288503	A1	11/2011	Magalich et al.	
2011/0311337	A1	12/2011	Amin et al.	
2012/0018073	A1	1/2012	Maniar et al.	
2012/0059250	A1	3/2012	Gray et al.	
2012/0078201	A1*	3/2012	Mikami	604/288.01
2012/0078202	A1	3/2012	Beling et al.	
2012/0191071	A1	7/2012	Butts et al.	
2012/0226244	A1	9/2012	Beasley et al.	
2012/0259296	A1	10/2012	Sheetz et al.	
2012/0302969	A1	11/2012	Wiley et al.	

FOREIGN PATENT DOCUMENTS

AU	2008299945	A1	3/2009
CA	2663853	A1	4/2008
CA	2692142	A1	12/2008
CA	2693972	A1	1/2009
CN	102421469	A	4/2012
CN	102612343	A	7/2012
DE	3618390	C1	11/1987
DE	3720414	A1	12/1987
DE	42 25 524	A1	2/1994
DE	29512576	U1	10/1995
DE	10346470	A1	5/2005
EP	0128525	A2	12/1984
EP	0134745	A1	3/1985
EP	0343910	A2	11/1989
EP	0366814	A1	5/1990
EP	0619101	A1	10/1994
EP	1238682	A2	9/2002
EP	1635899	A2	3/2006
EP	2006019101	A2	12/2006
EP	1896117	A2	3/2008
EP	1998842	A2	12/2008
EP	2004272	A2	12/2008
EP	2018209	A2	1/2009
EP	2081634	A1	7/2009
EP	2164559	A1	3/2010
EP	2167182	A1	3/2010
EP	2180915	A1	5/2010
EP	2190517	A1	6/2010
EP	2308547	A2	4/2011
EP	2320974	A1	5/2011
EP	2324878	A2	5/2011
EP	2324879	A2	5/2011
EP	2324880	A2	5/2011
EP	2365838	A1	9/2011
FR	2508008	A1	12/1982
FR	2809315	A1	11/2001
GB	966137	A	8/1964
GB	2102398	A	2/1983
JP	62155857	A	7/1987
JP	62281966	A	12/1987
JP	6296633	A	10/1994
JP	2002500076	A	1/2002
JP	2006025948	A	2/2006
JP	2012-523284	A	10/2012
WO	8600213	A1	1/1986
WO	8911309	A1	11/1989
WO	9001958	A1	3/1990
WO	9206732	A1	4/1992
WO	9305730	A1	4/1993
WO	9405351	A1	3/1994
WO	9516480	A1	6/1995
WO	9701370	A1	1/1997
WO	9706845	A1	2/1997
WO	9711726	A1	4/1997
WO	9723255	A1	7/1997
WO	9726931	A1	7/1997
WO	9817337	A1	4/1998
WO	9818506	A1	5/1998
WO	9934859	A1	7/1999
WO	9938553	A1	8/1999
WO	9942166	A1	8/1999
WO	0012171	A1	3/2000
WO	0016844	A1	3/2000

WO	0033901	A1	6/2000
WO	0123023	A1	4/2001
WO	0160444	A1	8/2001
WO	0247549	A1	6/2002
WO	03084832	A1	10/2003
WO	03090509	A2	11/2003
WO	2004004800	A2	1/2004
WO	20040128611	A1	4/2004
WO	2004071555	A2	8/2004
WO	2004091434	A2	10/2004
WO	2005037055	A2	4/2005
WO	2005068009	A1	7/2005
WO	2006078915	A2	7/2006
WO	2006096686	A1	9/2006
WO	2006116438	A2	11/2006
WO	2006130133	A1	12/2006
WO	2006134100	A1	12/2006
WO	2007041471	A2	4/2007
WO	2007079024	A2	7/2007
WO	2007092210	A1	8/2007
WO	2007094898	A2	8/2007
WO	2007098771	A2	9/2007
WO	2007109164	A2	9/2007
WO	2007126645	A2	11/2007
WO	2007136538	A2	11/2007
WO	2008008126	A2	1/2008
WO	2008019236	A1	2/2008
WO	2008048361	A1	4/2008
WO	2008062173	A1	5/2008
WO	2008063226	A2	5/2008
WO	2008147760	A1	12/2008
WO	2008157763	A1	12/2008
WO	2009002839	A1	12/2008
WO	2009012385	A1	1/2009
WO	2009012395	A1	1/2009
WO	2009035582	A1	3/2009
WO	2009046439	A2	4/2009
WO	2009046725	A1	4/2009
WO	2009108669	A1	9/2009
WO	2010030351	A1	3/2010
WO	2010062633	A1	6/2010
WO	2010118144	A1	10/2010
WO	2011046604	A2	4/2011
WO	2011053499	A1	5/2011
WO	2011056619	A1	5/2011
WO	2011133950	A1	10/2011
WO	2011146649	A1	11/2011

OTHER PUBLICATIONS

Lap-Band® System Access Port Fill Guide I, “9.75/10.0 cm Lap-Band System vs. 11 cm Lap-Band System: For Product Manufactured Prior to Jul. 2001” BioEnterics Corporation.

Leslie et al., “A New Simple Power Injector,” Am J Roentgenol 128: 381-384, Mar. 1977.

MedComp “PortCT Technology”, display at SIR Conference (Mar. 2006), Toronto, Canada.

Navilyst Medical, Implantable Ports with PASV® Valve Technology, Product Overview, <<<http://www.navilystmedical.com/Products/index.cfm/9>>> last accessed Jun. 4, 2012.

Nucleus Cochlear Implant Systems; User Manual for the ESPrin 3G speech processor and accessories, Issue 2, Dec. 2001 <http://www.cochlearamericas.com/PDFs/UserManualSprint.pdf>.

Oct. 22, 2009 Declaration of Kelly Christian, Director of Product Development at BARD Access Systems, Inc, in support of and depicting a product on the market by Quinton Company approximately ten years prior to Oct. 22, 2009, 1 page.

PCT/US1999/028695 filed Dec. 3, 1999 International Preliminary Examination Report dated Apr. 21, 2001.

PCT/US1999/028695 filed Dec. 3, 1999 Search Report dated Apr. 11, 2000.

PCT/US2006/008022 filed Mar. 6, 2006 International Preliminary Report on Patentability dated Sep. 12, 2007.

PCT/US2006/008022 filed Mar. 6, 2006 Search Report dated Jul. 5, 2006.

PCT/US2006/008022 filed Mar. 6, 2006 Written Opinion dated Apr. 9, 2007.

- PCT/US2006/015695 filed Apr. 25, 2006 Partial Search Report dated Sep. 29, 2006.
- PCT/US2006/015695 filed Apr. 25, 2006 Search Report dated Jan. 11, 2007.
- PCT/US2006/015695 filed Apr. 25, 2006 Written Opinion dated Jan. 11, 2007.
- PCT/US2006/016056 filed Apr. 27, 2006 International Preliminary Report on Patentability dated Oct. 30, 2007.
- PCT/US2006/016056 filed Apr. 27, 2006 Search Report dated Sep. 20, 2006.
- PCT/US2006/016056 filed Apr. 27, 2006 Written Opinion dated Oct. 27, 2007.
- PCT/US2006/049007 filed Dec. 21, 2006 International Preliminary Report on Patentability dated Jul. 1, 2008.
- PCT/US2006/049007 filed Dec. 21, 2006 Search Report dated Oct. 1, 2007.
- PCT/US2006/049007 filed Dec. 21, 2006 Written Opinion dated Oct. 1, 2007.
- PCT/US2007/006776 filed Mar. 19, 2007 International Preliminary Report on Patentability dated Jan. 2, 2009.
- PCT/US2007/006776 filed Mar. 19, 2007 Search Report, dated Dec. 18, 2007.
- PCT/US2007/006776 filed Mar. 19, 2007 Written opinion, dated Dec. 18, 2007.
- PCT/US2007/011015 dated May 7, 2007 Written Opinion dated Jun. 10, 2008.
- PCT/US2007/011015 filed May 7, 2007 International Preliminary Report on Patentability dated Oct. 29, 2008.
- PCT/US2007/011015 filed May 7, 2007 Search Report dated Jun. 10, 2008.
- PCT/US2007/011456 filed May 11, 2007 Search Report dated Aug. 28, 2008.
- PCT/US2007/011456 filed May 11, 2007 Written Opinion dated Aug. 28, 2008.
- PCT/US2008/010520 dated Sep. 8, 2008 Search Report dated Feb. 24, 2009.
- PCT/US2008/010520 filed Sep. 8, 2008 Written Opinion dated Feb. 24, 2009.
- PCT/US2008/067679 filed Jun. 20, 2008 Search Report dated Sep. 30, 2008.
- PCT/US2008/067679 filed Jun. 20, 2008 Written Opinion mailed on Sep. 30, 2008.
- PCT/US2008/070330 filed Jul. 17, 2008 Search Report dated Dec. 1, 2008.
- PCT/US2008/070330 filed Jul. 17, 2008 Written Opinion dated Dec. 1, 2008.
- PCT/US2008/070345 filed Jul. 17, 2008 Search Report mailed on Dec. 1, 2008.
- PCT/US2008/070345 filed Jul. 17, 2008 Written Opinion dated Dec. 1, 2008.
- PCT/US2008/078976 filed Apr. 2, 2009 Search Report and Written Opinion dated Apr. 3, 2009.
- PCT/US2009/035088 filed Feb. 25, 2009 International Search Report dated May 19, 2009.
- PCT/US2009/035088 filed Feb. 25, 2009 Written Opinion dated May 19, 2009.
- PCT/US2009/062854 filed Oct. 30, 2009 International Preliminary Report on Patentability dated May 5, 2011.
- PCT/US2009/062854 filed Oct. 30, 2009 International Search Report dated Dec. 10, 2009.
- PCT/US2009/062854 filed Oct. 30, 2009 Written Opinion dated Dec. 10, 2009.
- PCT/US2010/030256 filed Apr. 7, 2010 Search Report and Written Opinion dated Jun. 4, 2010.
- PCT/US2010/030256 filed Apr. 7, 2010 Search Report dated Jun. 4, 2010.
- PCT/US2010/030256 filed Apr. 7, 2010 Written Opinion dated Jun. 4, 2010.
- PCT/US2010/054994 filed Nov. 1, 2010 Search Report dated Jan. 10, 2011.
- PCT/US2010/054994 filed Nov. 1, 2010 Written Opinion dated Jan. 10, 2011.
- Port-A-Cath® P.A.S. Port® Systems by Deltec, Product Specifications, 1999.
- Port-A-Cath® “Implantable Epidural, Aterial and Peritoneal Access Systems” Internet Product Listing. <<<http://web.archive.org/web/20001119035900/www.deltec.com/cPacspl.htm>>> last accessed Jun. 4, 2012.
- Port-A-Cath® “Many Port-A-Cath® System Choices” Product Brochure. © 1996 SIMS Deltec, Inc.
- U.S. Appl. No. 29/239,163, filed Sep. 27, 2005 entitled Injectable Power Port, listing Eddie K. Burnside as inventor.
- U.S. Appl. No. 29/247,954, filed Jul. 21, 2006 entitled Injectable Power Port, listing Eddie K. Burnside as inventor.
- U.S. Appl. No. 29/247,954, filed Jul. 21, 2006 Non-Final Office Action dated Apr. 6, 2007.
- U.S. Appl. No. 29/247,954, filed Jul. 21, 2006 Notice of Allowability dated Jul. 30, 2007.
- U.S. Appl. No. 29/284,454, filed Sep. 7, 2007 titled Implantable Port Device, listing John a. Zawacki and Annmarie Boswell as inventors, in which a Continued Prosecution Application was filed on Jan. 30, 2008.
- U.S. Appl. No. 29/284,456, filed Sep. 7, 2007, titled Implantable Port Device, listing John A. Zawacki and Annemarie Boswell as inventors.
- Vergara, et al., “Adverse Reactions to Contrast Medica in CT: Effects of Temperature and Ionic Property.” *Radiology*, vol. 199, No. 2, May 1996.
- Vogelzang, Robert L., “Power Injection Through Central Venous Catheters: Physiological and Hemodynamic Considerations.” *The McGaw Medical Center of Northwestern University, Feinberg School of Medicine*. Jun. 23, 2004.
- Wells, S. “Venous Access in Oncology and Haematology Patients: Part One.” *Nursing Standard*, vol. 22, No. 52, pp. 39-46, Sep. 3, 2008.
- Wikipedia, “Port Catheter”, Dec. 15, 2011.
- Williamson, et al., “Assessing the Adequacy of Peripherally Inserted Central Catheters for Power Injection of Intravenous Contrast Agents for CT.” *Journal of Computer Assisted Tomography*, vol. 6, No. 6, pp. 932-937, 2001.
- Allergan, Inc. Lap-Band® System Fact Sheet. © 2007.
- AngioDynamics, Smart Port Guidelines for Health Care Providers, 1996.
- B. Braun, Easypump Product Page, accessed May 11, 2011.
- B. Braun, Port Catheter Systems Product Page, accessed May 11, 2011.
- Bard Access Systems Mar. 21, 1995 Product Release to Market form for “M.R.I. Port with 8 Fr. ChronoFlexO Catheter”, “M.R.I. Port with 8Fr. ChronoFlex Catheter with Intro-Eze™”, “M.R.I. Port with 8. Fr ChronoFlex Catheter and Peel Apart”, “M.R.I. Port with 8Fr. ChronoFlex Catheter Demo Kit”. Drawings included.
- Bard Healthcare Leaflet (2001).
- Baxter Guidelines on Port Maintenance (Jun. 2003).
- Baxter Healthport® Focus (Oct. 1999).
- Baxter Healthport® Venous Systems (Oct. 2002).
- Baxter Patient Information, Healthport® System (May 1999).
- Baxter Therapy Systems, Baxter Healthport® Jan. 1999.
- Biffi, R. et al. “Use of totally implantable central venous access ports for high-dose chemotherapy and peripheral blood stem cell transplantation: results of a monocentre series of 376 patients.” *Annals of Oncology* 15:296-300, 2004.
- Biffi, R., et al. “Best Choice of Central Venous Insertion Site for the Prevention of Catheter-Related Complications in Adult Patients Who Need Cancer Therapy: A Randomized Trial.” *Annals of Oncology*, Jan. 29, 2009.
- Biffi, Roberto, et al. “A Randomized, Prospective Trial of Central Venous Ports Connected to Standard Open-Ended or Groshong Catheters in Adult Oncology Patients.” *American Cancer Society*, vol. 92, No. 5, pp. 1204-1212, Sep. 1, 2001.
- BioEnterics Corporation, Lap-Band® “Adjustable Gastric Banding System” Product Brochure.
- Braun Product Catalog (Aug. 2005).
- Cardiovascular and Interventional Radiology, Review Article, “Central Venous Access Catheters: Radiological Management of Complications,” by U.K Teichgraber, B. Gebauer, T. Benter, H.J. Wagner, published online Jul. 31, 2003.

- Carlson et al., "Safety Considerations in the Power Injection of Contrast Media Via Central Venous Catheters during Computed Tomographic Examinations," *Investigative Radiology*, (May 1992) 27: 337-340.
- Clinical Plastic Products, "Oncology Jet Port Plus Catheter Systems" Instructions for Use, 2011.
- Cook Vital-Port® Product Catalog (2000).
- Costa, Nancy, "More Than Skin Deep: An Overview of Iodinated Contrast Media." *Journal for the Association for Vascular Access*, vol. 8, No. 4, 2003.
- Costa, Nancy, "Understanding Contrast Media." *Journal of Infusion Nursing*, vol. 27, No. 5, Sep./Oct. 2004.
- Coyle, Douglas et al, Power Injection of Contrast Media via Peripherally Inserted Central Catheters for CT, *J Vasc Intern Radiol*, pp. 809-814, vol. 15, 2004.
- Deltec Port Systems (Feb. and Apr. 1996).
- Department of Health and Human Services, C-Port 510(k) FDA Clearance, Jun. 5, 2003.
- EP 06751411 filed Apr. 25, 2006 Office Action dated Aug. 10, 2009.
- EP 06751411 filed Apr. 25, 2006 Office Action dated Sep. 2, 2008.
- EP 06751411 filed Apr. 25, 2006 Opposition by Aesculap AG dated Oct. 5, 2011.
- EP 06751411 filed Apr. 25, 2006 Opposition by Fresenius Kabi Deutschland GmbH dated Oct. 11, 2011.
- EP 06751411 filed Apr. 25, 2006 Opposition by pfm medical ag dated Oct. 12, 2011.
- EP 06845998 filed Dec. 21, 2006 Office Action dated Mar. 10, 2011.
- EP 06845998 filed Dec. 21, 2006 Supplementary Search Report dated Jul. 22, 2010.
- EP 99964086 filed Dec. 3, 1999 Office Action dated Dec. 15, 2005.
- EP 99964086 filed Dec. 3, 1999 Office Action dated Mar. 1, 2005.
- EP 99964086 filed Dec. 3, 1999 Office Action dated Mar. 30, 2005.
- Extravasation of Radiologic Contrast, PA-PSRS Patient Safety Advisory, vol. 1 No. 3, Sep. 2004.
- Extreme Access™ Bard Access Systems, Inc. Product Brochure, 2003.
- Fallscheer, et al., "Injury to the Upper Extremity Caused by Extravasation of Contrast Medium: A True Emergency." *Scandinavian Journal of Plastic and Reconstructive Surgery and Hand Surgery*, vol. 41, pp. 26-32, 2007.
- Fresenius Brochure on Intraport I, Intraport II, and Bioport (Nov. 1998).
- Gebauer, B. et al., "Contrast Media Power Injection Using Central Venous Port Catheters—Results of an In-Vitro Study," *Experimental Radiology* 2005: 177: 1417-1423.
- Hou, Shaw-Min et al. "Comparisons of Outcomes and Survivals for Two Central Venous Access Port Systems." *Journal of Surgical Oncology*, 91:61-66, 2005.
- Inamed Health, BioEnterics® Lap-Band® "Adjustable Gastric Banding System" Product Brochure, Dec. 2003.
- Johnson, Kathleen A., "Power Injectable Portal Systems." *Journal of Radiology Nursing*, vol. 28, Issue 1, Mar. 2009.
- JP 2007-558331 filed Mar. 6, 2006 Office Action dated May 17, 2011.
- JP 2008-509056 filed Apr. 25, 2006 Office Action dated Apr. 4, 2012.
- JP 2008-509056 filed Apr. 25, 2006 Office Action dated Jun. 7, 2011.
- Kaste et al., "Safe use of power injectors with central and peripheral venous access devices for pediatric CT," *Pediatr Radiol* (1996) 26: 499-501.
- L-Cath® for Ports, Luther Medical Products, Inc., Tustin, California, 2 pages, 1994.
- LaMaitre Vascular "Port Implantations: using the OptiLock Implantable Port," product information, available at <http://www.lemaitre.com/specs.pop.asp>, last accessed Apr. 2003, 14 pages.
- Lap-Band AP™ "System with Adjustable Gastric Banding system with Omniform TN Design," Product Brochure, Jul. 2007, 16 pages.
- Port-A-Cath® & Port-A-Cath® II Dual-lumen Implantable Venous Access Systems Product Specifications, 2005.
- Port-A-Cath® and P.A.S. Port® Power P.A.C. Information Sheet, 2006.
- Rappolt, Richard T., et al. "Radiopaque Codification and X-ray Identification of Ingested Drugs." *Ingestive Radiology*, May-Jun. 1966.
- Salis et al., "Maximal flow rates possible during power injection through currently available PICCs: An in-vitro study," *J Vasc Interv Radiol* 2004; 15:275-281.
- Sandstede, Joern, "Pediatric CT," available online at www.multislice-ct.com, [Multislice-CT.com](http://www.Multislice-CT.com), version 02, May 2, 2003.
- Sanelli, et al., "Safety and Feasibility of Using a Central Venous Catheter for Rapid Contrast Injection Rates." *American Journal of Radiology*, vol. 183, pp. 1829-1834, Dec. 2004.
- Shah, Tilak M., "Radiopaque Polymer Formulations for Medical Devices." *Medical Device and Diagnostic Industry*, Mar. 2000.
- Smith Medical, Port-A-Cath® "Single-lumen Implantable Vascular Access Systems" Product Specifications, 2004.
- Smith, Lisa Hartkoph, "Implanted Ports, Computed Tomography, Power Injectors, and Catheter Rupture." *Clinical Journal of Oncology Nursing*, vol. 12, No. 5. Oct. 2008.
- Smiths Medical, "Smiths Medical Launches Implantable Ports for Easy Viewing Under CT Scans" Press Release, Jan. 5, 2011.
- Soloman, et al., "CIN Strategies: Anticipate, Manage, Prevent." *Supplement to Imaging Economics*, May 2007.
- Statement of Prof. Dr. med. Karl R. Aigner, Oct. 11, 2011.
- Steinbach, Barbara G., Hardt, N. Sisson, Abbitt, Patricia L., Lanier, Linda, Caffee, H. Hollis, "Breast Implants, Common Complications, and Concurrent Breast Disease." *RadioGraphics*, vol. 13, No. 1, pp. 95-118, 1993.
- Sullivan et al. "Radiopaque Markers on Mammary Implants." *American Journal of Roentgenology* 153(2):428, Aug. 1989.
- U.S. Food and Drug Administration, "Guidance for Institutional Review Boards and Clinical Investigators 1998 Update: Medical Devices." Version Sep. 10, 2008.
- U.S. Appl. No. 60/658,518, filed Mar. 4, 2005, publicly accessible Oct. 5, 2006.
- Urquiola, Javier, et al., "Using Lead Foil as a Radiopaque Marker for Computerized Tomography Imaging When Implant Treatment Planning." *The Journal of Prosthetic Dentistry*, 1997.
- U.S. Appl. No. 10/374,000, filed February 25, 2003 Office Action dated Aug. 28, 2007.
- U.S. Appl. No. 10/374,000, filed Feb. 25, 2003 Advisory Action dated Jan. 23, 2007.
- U.S. Appl. No. 10/374,000, filed Feb. 25, 2003 Non-Final Office Action dated Feb. 13, 2006.
- U.S. Appl. No. 10/374,000, filed Feb. 25, 2003 Non-Final Office Action dated May 20, 2009.
- U.S. Appl. No. 10/374,000, filed Feb. 25, 2003 Non-final Office Action mailed Mar. 20, 2008.
- U.S. Appl. No. 10/374,000, filed Feb. 25, 2003 Office Action dated Feb. 28, 2007.
- U.S. Appl. No. 10/374,000, filed Feb. 25, 2003 Office Action dated Jul. 28, 2006.
- U.S. Appl. No. 10/374,000, filed Feb. 25, 2003 Office Action mailed Sep. 30, 2008.
- U.S. Appl. No. 10/374,000, filed Feb. 25, 2003 Response to Non-Final Office Action dated May 12, 2006.
- U.S. Appl. No. 10/374,000, filed Feb. 25, 2003 Response to Office Action dated Dec. 28, 2006.
- U.S. Appl. No. 10/374,000, filed Feb. 25, 2003 Response to Office Action dated Jun. 20, 2008.
- U.S. Appl. No. 10/374,000, filed Feb. 25, 2003 Response to Office Action dated Mar. 30, 2009.
- U.S. Appl. No. 10/374,000, filed Feb. 25, 2003 Response to Office Action dated May 28, 2007.
- U.S. Appl. No. 10/374,000, filed Feb. 25, 2003 Response to Office Action dated Nov. 28, 2006.
- U.S. Appl. No. 10/374,000, filed Feb. 25, 2003 Response to Office Action dated Oct. 31, 2007.
- U.S. Appl. No. 10/374,000, filed Feb. 25, 2003 Response to Office Action dated Sep. 21, 2009.
- U.S. Appl. No. 11/320,223, filed Dec. 28, 2005 Advisory Action dated Dec. 1, 2011.
- U.S. Appl. No. 11/320,223, filed Dec. 28, 2005 Notice of Allowance dated Jan. 6, 2012.
- U.S. Appl. No. 11/320,223, filed Dec. 28, 2005 Final Office Action dated Aug. 3, 2011.

- U.S. Appl. No. 11/320,223, filed Dec. 28, 2005 Final Office Action dated Jun. 19, 2009.
- U.S. Appl. No. 11/320,223, filed Dec. 28, 2005 Final Office Action dated Jun. 22, 2010.
- U.S. Appl. No. 11/320,223, filed Dec. 28, 2005 Non-Final Office Action dated Feb. 13, 2008.
- U.S. Appl. No. 11/320,223, filed Dec. 28, 2005 Non-Final Office Action dated Jan. 21, 2010.
- U.S. Appl. No. 11/320,223, filed Dec. 28, 2005 Non-Final Office Action dated Mar. 16, 2011.
- U.S. Appl. No. 11/320,223, filed Dec. 28, 2005 Non-Final Office Action dated Sep. 18, 2008.
- U.S. Appl. No. 11/368,954, filed Mar. 6, 2006 Non-Final Office Action dated Jul. 21, 2009.
- U.S. Appl. No. 11/368,954, filed Mar. 6, 2006 Notice of Allowance dated Jun. 24, 2010.
- U.S. Appl. No. 11/368,954, filed Mar. 6, 2006 Final Office Action dated Jan. 27, 2010.
- U.S. Appl. No. 11/368,954, filed Mar. 6, 2006 Supplemental Non-final Office Action mailed Oct. 2, 2009.
- U.S. Appl. No. 11/380,124, filed Apr. 25, 2006 Final Office Action dated Aug. 13, 2010.
- U.S. Appl. No. 11/380,124, filed Apr. 25, 2006 Final Office Action dated Oct. 20, 2011.
- U.S. Appl. No. 11/380,124, filed Apr. 25, 2006 Final Office Action dated Sep. 21, 2009.
- U.S. Appl. No. 11/380,124, filed Apr. 25, 2006 Non-Final Office Action dated Apr. 26, 2010.
- Bard Access Systems, BardPort and X-Port Implanted Ports Brochure, © 2007.
- Bard Access Systems, BardPort, Slim Port and X-Port Instructions for Use, May 2003.
- Bard Access Systems, BardPort™ Implanted Ports Patient Information, Feb. 1993.
- Bard Access Systems, Ports Brochure, © 2003.
- Bard Access Systems, Titanium Dome Implantable Port, <http://www.bardaccess.com>, last accessed Jan. 10, 2012.
- EP 06751411 filed Apr. 25, 2006 Decision Revoking the European Patent dated Aug. 1, 2012.
- EP 06845998.1 filed Dec. 21, 2006 Examination Report dated Nov. 7, 2012.
- EP 10762377.9 filed Oct. 5, 2011 European Search Report dated Aug. 3, 2012.
- Medtronic IsoMed® Constant-Flow Infusion System: Clinical Reference Guide for Hepatic Arterial Infusion Therapy, Revised Sep. 2000.
- Nucleus Cochlear Implant Systems; User Manual for the ESPrin and ESPrin 22 speech processor and accessories, Issue 3, Apr. 2000.
- PCT/US11/37038 filed May 18, 2011 Written Opinion and Search Report dated Aug. 30, 2011.
- Request for Inter partes Reexamination of U.S. Patent No. 7,785,302, filed Aug. 20, 2012.
- Request for Inter partes Reexamination of U.S. Patent No. 7,947,022, filed Aug. 20, 2012.
- Request for Inter partes Reexamination of U.S. Patent No. 7,959,615, filed Aug. 20, 2012.
- U.S. Appl. No. 11/937,302, filed Nov. 8, 2007 Final Office Action dated Nov. 8, 2012.
- U.S. Appl. No. 12/420,007, filed Apr. 7, 2009 Non-Final Office Action dated Oct. 16, 2012.
- U.S. Appl. No. 12/917,323, filed Nov. 1, 2010 Non-Final Office Action dated Aug. 15, 2012.
- U.S. Appl. No. 13/113,834, filed May 23, 2011 Final Office Action dated Nov. 23, 2012.
- U.S. Appl. No. 13/438,586, filed Apr. 3, 2012 Non-Final Office Action dated Sep. 19, 2012.
- U.S. Appl. No. 29/382,246, filed Dec. 30, 2010 Notice of Allowance dated Oct. 3, 2012.
- U.S. Appl. No. 95/002,089, filed Aug. 20, 2012 Office Action In and Order Granting/Denying Request for Inter Partes Reexamination dated Nov. 7, 2012.
- U.S. Appl. No. 95/002,090, filed Aug. 20, 2012 Action In and Order Granting/Denying Request for Inter Partes Reexamination dated Nov. 7, 2012.
- U.S. Appl. No. 95/002,092, filed Aug. 20, 2012 Action In and Order Granting/Denying Request for Inter Partes Reexamination dated Nov. 13, 2012.
- U.S. Appl. No. 11/380,124, filed Apr. 25, 2006 Non-Final Office Action dated Apr. 7, 2011.
- U.S. Appl. No. 11/380,124, filed Apr. 25, 2006 Non-Final Office Action dated Jan. 16, 2009.
- U.S. Appl. No. 11/380,124, filed Apr. 25, 2006 Non-Final Office Action dated Oct. 28, 2010.
- U.S. Appl. No. 11/380,621, filed Apr. 27, 2006 Final Office Action dated Jan. 14, 2010.
- U.S. Appl. No. 11/380,621, filed Apr. 27, 2006 Final Office Action dated Jan. 23, 2009.
- U.S. Appl. No. 11/380,621, filed Apr. 27, 2006 Final Office Action dated Mar. 8, 2011.
- U.S. Appl. No. 11/380,621, filed Apr. 27, 2006 Non-Final Office Action dated Jul. 1, 2009.
- U.S. Appl. No. 11/380,621, filed Apr. 27, 2006 Non-Final Office Action dated Jun. 6, 2008.
- U.S. Appl. No. 11/725,287, filed Mar. 19, 2007 Non-final Office Action issued on Dec. 3, 2008.
- U.S. Appl. No. 11/725,287, filed Mar. 19, 2007 Non-final Office Action issued on Jun. 12, 2009.
- U.S. Appl. No. 11/725,287, filed Mar. 19, 2007 Non-final Office Action issued on Mar. 29, 2010.
- U.S. Appl. No. 11/937,302, filed Nov. 8, 2007 Final Office Action dated Oct. 13, 2011.
- U.S. Appl. No. 11/937,302, filed Nov. 8, 2007 Non-Final Office Action dated Jun. 18, 2012.
- U.S. Appl. No. 11/937,302, filed Nov. 8, 2007 Final Office Action dated Feb. 11, 2011.
- U.S. Appl. No. 11/937,302, filed Nov. 8, 2007 Non-Final Office Action dated Apr. 15, 2011.
- U.S. Appl. No. 11/937,302, filed Nov. 8, 2007 Non-Final Office Action dated Sep. 13, 2010.
- U.S. Appl. No. 12/023,280, filed Jan. 31, 2008 Final Office Action dated Mar. 9, 2010.
- U.S. Appl. No. 12/023,280, filed Jan. 31, 2008 Non-Final Office Action dated Dec. 13, 2010.
- U.S. Appl. No. 12/023,280, filed Jan. 31, 2008 Non-Final Office Action dated Jul. 23, 2009.
- U.S. Appl. No. 12/023,280, filed Jan. 31, 2008 Non-Final Office Action dated Oct. 5, 2009.
- U.S. Appl. No. 12/023,280, filed Jan. 31, 2008 Notice of Allowance dated Mar. 28, 2011.
- U.S. Appl. No. 12/143,377, filed Jun. 20, 2008 Final Office Action mailed Oct. 19, 2009.
- U.S. Appl. No. 12/143,377, filed Jun. 20, 2008 Non-final Office Action mailed Apr. 27, 2009.
- U.S. Appl. No. 12/175,182, filed Jul. 17, 2008 Non-final Office Action mailed Sep. 3, 2009.
- U.S. Appl. No. 12/267,160, filed Nov. 7, 2008 Final Office Action dated Jun. 1, 2012.
- U.S. Appl. No. 12/267,160, filed Nov. 7, 2008 Non-Final Office Action dated Nov. 1, 2011.
- U.S. Appl. No. 12/419,854, filed Apr. 7, 2009 Final Office Action dated Nov. 29, 2011.
- U.S. Appl. No. 12/419,854, filed Apr. 7, 2009 Non-Final Office Action dated Aug. 5, 2011.
- U.S. Appl. No. 12/419,854, filed Apr. 7, 2009 Non-Final Office Action dated Jun. 26, 2012.
- U.S. Appl. No. 12/419,957, filed Apr. 7, 2009 Advisory Action dated Feb. 18, 2011.
- U.S. Appl. No. 12/419,957, filed Apr. 7, 2009 Final Office Action dated Dec. 7, 2010.
- U.S. Appl. No. 12/419,957, filed Apr. 7, 2009 Non-Final Office Action dated Feb. 18, 2010.
- U.S. Appl. No. 12/419,957, filed Apr. 7, 2009 Non-Final Office Action dated Jul. 29, 2010.

U.S. Appl. No. 12/419,957, filed Apr. 7, 2009 Non-Final Office Action dated Jun. 30, 2009.
 U.S. Appl. No. 12/419,957, filed Apr. 7, 2009 Notice of Allowance dated Mar. 7, 2011.
 U.S. Appl. No. 12/420,007, filed Apr. 7, 2009 Final Office Action dated Feb. 18, 2010.
 U.S. Appl. No. 12/420,007, filed Apr. 7, 2009 Non-Final Office Action dated Jul. 14, 2009.
 U.S. Appl. No. 12/420,028, filed Apr. 7, 2009 Non-Final Office Action dated Jan. 5, 2011.
 U.S. Appl. No. 12/420,028, filed Apr. 7, 2009 Notice of Allowance dated Apr. 1, 2011.
 U.S. Appl. No. 12/617,981, filed Nov. 13, 2009 Advisory Action dated Sep. 15, 2011.
 U.S. Appl. No. 12/617,981, filed Nov. 13, 2009 Final Office Action dated Aug. 2, 2012.
 U.S. Appl. No. 12/617,981, filed Nov. 13, 2009 Final Office Action dated Jun. 21, 2011.
 U.S. Appl. No. 12/617,981, filed Nov. 13, 2009 Non-Final Office Action dated Dec. 21, 2011.
 U.S. Appl. No. 12/617,981, filed Nov. 13, 2009 Non-Final Office Action dated Jan. 5, 2011.
 U.S. Appl. No. 12/796,133, filed Jun. 8, 2010 Non-Final Office Action dated Feb. 17, 2011.
 U.S. Appl. No. 12/796,133, filed Jun. 8, 2010 Notice of Allowance dated Jun. 9, 2011.
 U.S. Appl. No. 13/113,834, filed May 23, 2011 Non-Final Office Action dated Jul. 17, 2012.
 U.S. Appl. No. 13/159,230, filed Jun. 13, 2011 Notice of Allowance dated Aug. 1, 2012.
 U.S. Appl. No. 13/250,909, filed Sep. 30, 2011 Notice of Allowance dated Aug. 6, 2012.

* cited by examiner

Primary Examiner — Ian Simmons
Assistant Examiner — Shannon Weekley
 (74) *Attorney, Agent, or Firm* — Rutan & Tucker LLP

(57) **CLAIM**
 The ornamental design for an implantable access port, as shown and described.

DESCRIPTION

FIG. 1 is a perspective view of a first embodiment, lined for the color green, of an implantable access port of my new design;
 FIG. 2 is a front elevational view, lined for the color green, of the implantable access port illustrated in FIG. 1;
 FIG. 3 is a left side elevational view, lined for the color green, of the implantable access port illustrated in FIG. 1;
 FIG. 4 is a top view, lined for the color green, of the implantable access port illustrated in FIG. 1;
 FIG. 5 is a bottom view, lined for the color green, of the implantable access port illustrated in FIG. 1;
 FIG. 6 is a rear elevational view, lined for the color green, of the implantable access port illustrated in FIG. 1;
 FIG. 7 is a perspective view of a second embodiment, lined for the color purple, of the implantable access port of my new design;
 FIG. 8 is a front elevational view, lined for the color purple, of the implantable access port illustrated in FIG. 7;
 FIG. 9 is a left side elevational view, lined for the color purple, of the implantable access port illustrated in FIG. 7;

FIG. 10 is a top view, lined for the color purple, of the implantable access port in FIG. 7;
 FIG. 11 is a bottom view, lined for the color purple, of the implantable access port illustrated in FIG. 7;
 FIG. 12 is a rear elevational view, lined for the color purple, of the implantable access port illustrated in FIG. 7;
 FIG. 13 is a perspective view of a third embodiment, lined for the color blue, of the implantable access port of my new design;
 FIG. 14 is a front elevational view, lined for the color blue, of the implantable access port illustrated in FIG. 13;
 FIG. 15 is a left side elevational view, lined for the color blue, of the implantable access port illustrated in FIG. 13;
 FIG. 16 is a top view, lined for the color blue, of the implantable access port illustrated in FIG. 13;
 FIG. 17 is a bottom view, lined for the color blue, of the implantable access port illustrated in FIG. 13;
 FIG. 18 is a rear elevational view, lined for the color blue, of the implantable access port illustrated in FIG. 13;
 FIG. 19 is a perspective view of a fourth embodiment, lined for the color grey, of the implantable access port of my new design;
 FIG. 20 is a front elevational view, lined for the color grey, of the implantable access port illustrated in FIG. 19;
 FIG. 21 is a left side elevational view, lined for the color grey, of the implantable access port illustrated in FIG. 19;
 FIG. 22 is a top view, lined for the color grey, of the implantable access port illustrated in FIG. 19;
 FIG. 23 is a bottom view, lined for the color grey, of the implantable access port illustrated in FIG. 19;
 FIG. 24 is a rear elevational view, lined for the color grey, of the implantable access port illustrated in FIG. 19;
 FIG. 25 is a perspective view of a fifth embodiment, lined for the color yellow, of an implantable access port of my new design;
 FIG. 26 is a front elevational view, lined for the color yellow, of the implantable access port illustrated in FIG. 25;
 FIG. 27 is a left side elevational view, lined for the color yellow, of the implantable access port illustrated in FIG. 25;
 FIG. 28 is a top view, lined for the color yellow, of the implantable access port illustrated in FIG. 25;
 FIG. 29 is a bottom view, lined for the color yellow, of the implantable access port illustrated in FIG. 25;
 FIG. 30 is a rear elevational view, lined for the color yellow, of the implantable access port illustrated in FIG. 25;
 FIG. 31 is a perspective view of a sixth embodiment, lined for the color orange, of the implantable access port of my new design;
 FIG. 32 is a front elevational view, lined for the color orange, of the implantable access port illustrated in FIG. 31;
 FIG. 33 is a left side elevational view, lined for the color orange, of the implantable access port illustrated in FIG. 31;
 FIG. 34 is a top view, lined for the color orange, of the implantable access port illustrated in FIG. 31;
 FIG. 35 is a bottom view, lined for the color orange, of the implantable access port illustrated in FIG. 31; and,
 FIG. 36 is a rear elevational view, lined for the color orange, of the implantable access port illustrated in FIG. 31.
 The broken lines shown in FIGS. 1-36 are included for the purpose of illustrating environmental structures only and form no part of the claimed design.

1 Claim, 18 Drawing Sheets

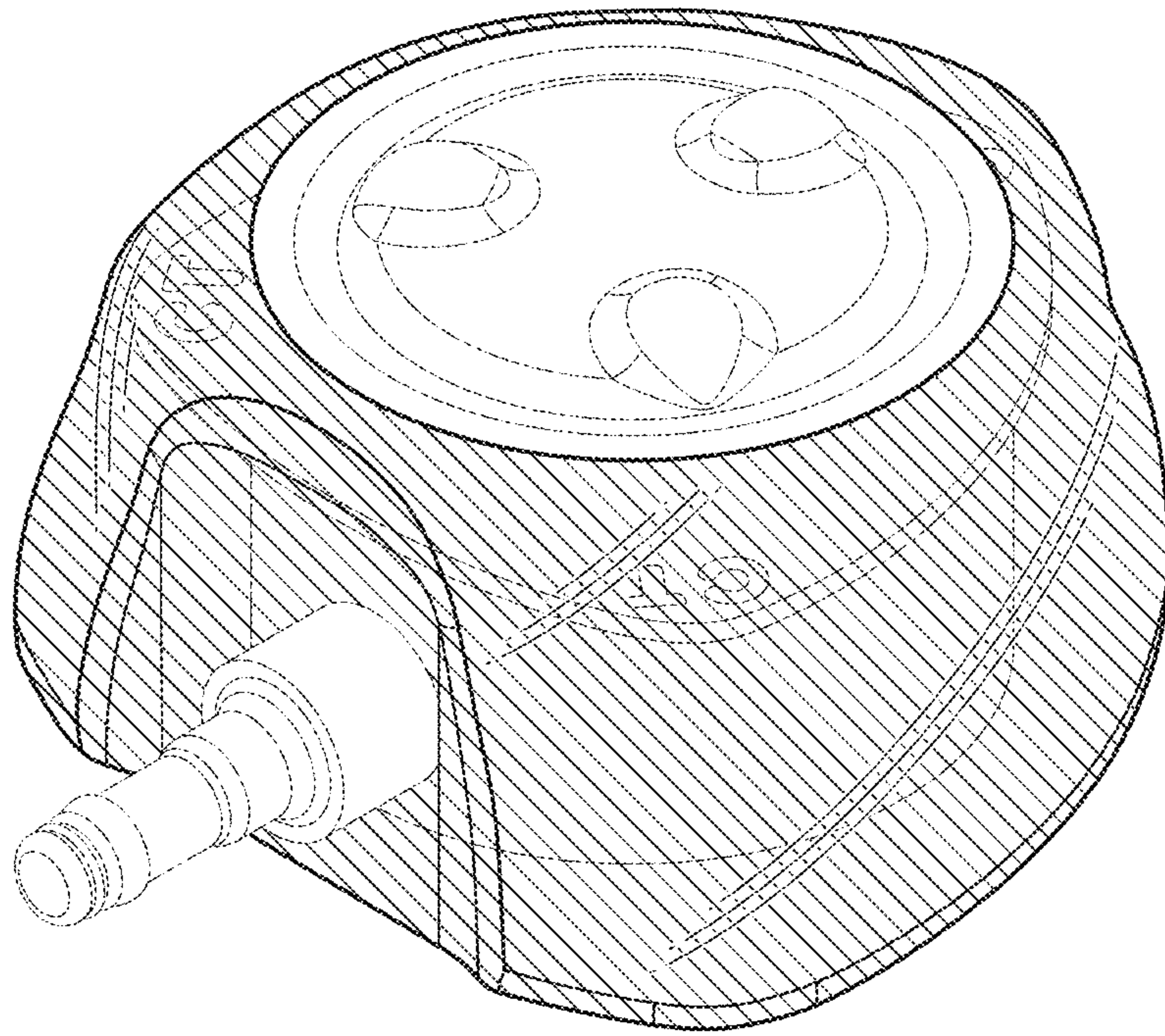


FIG. 1

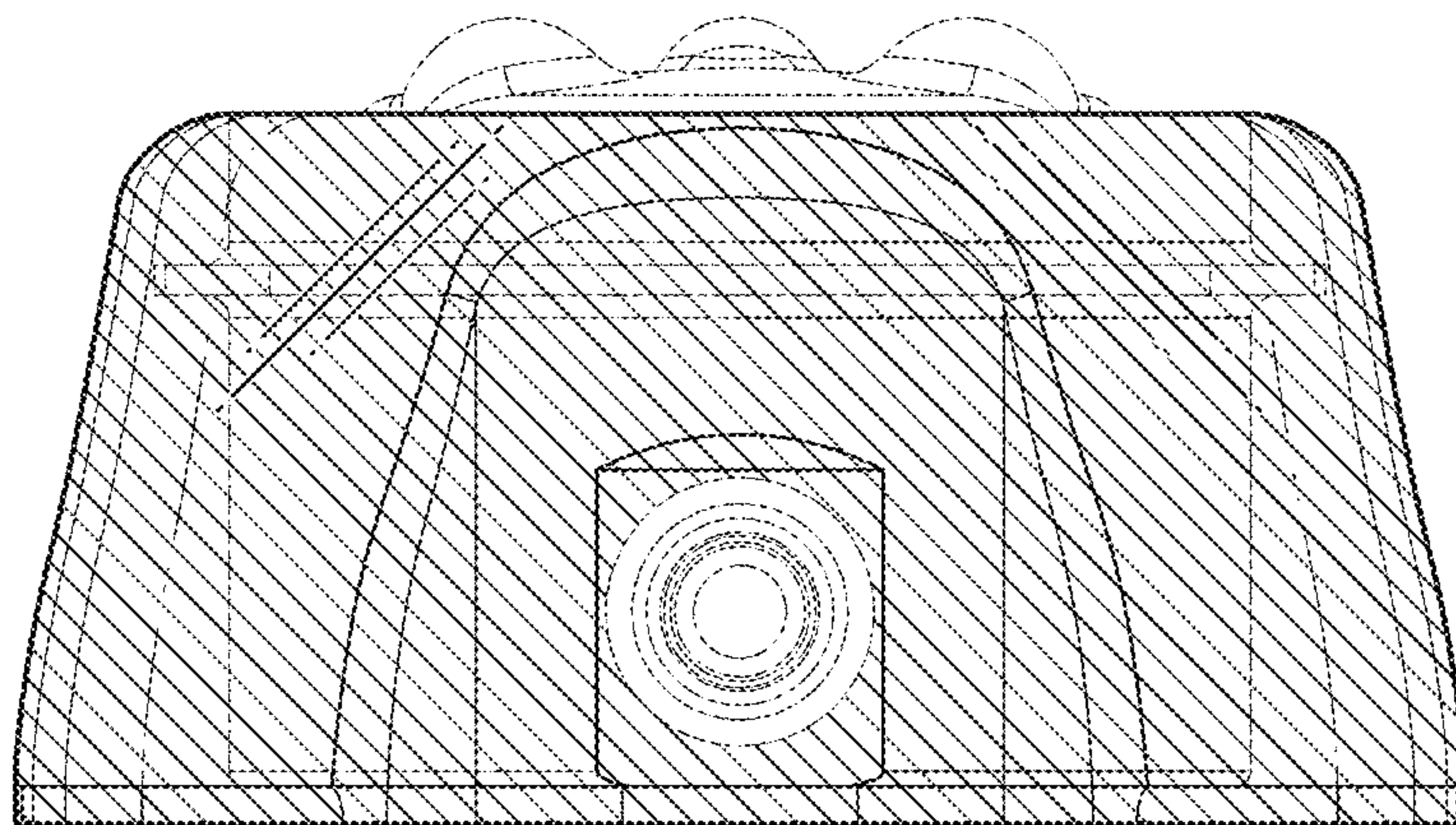


FIG. 2

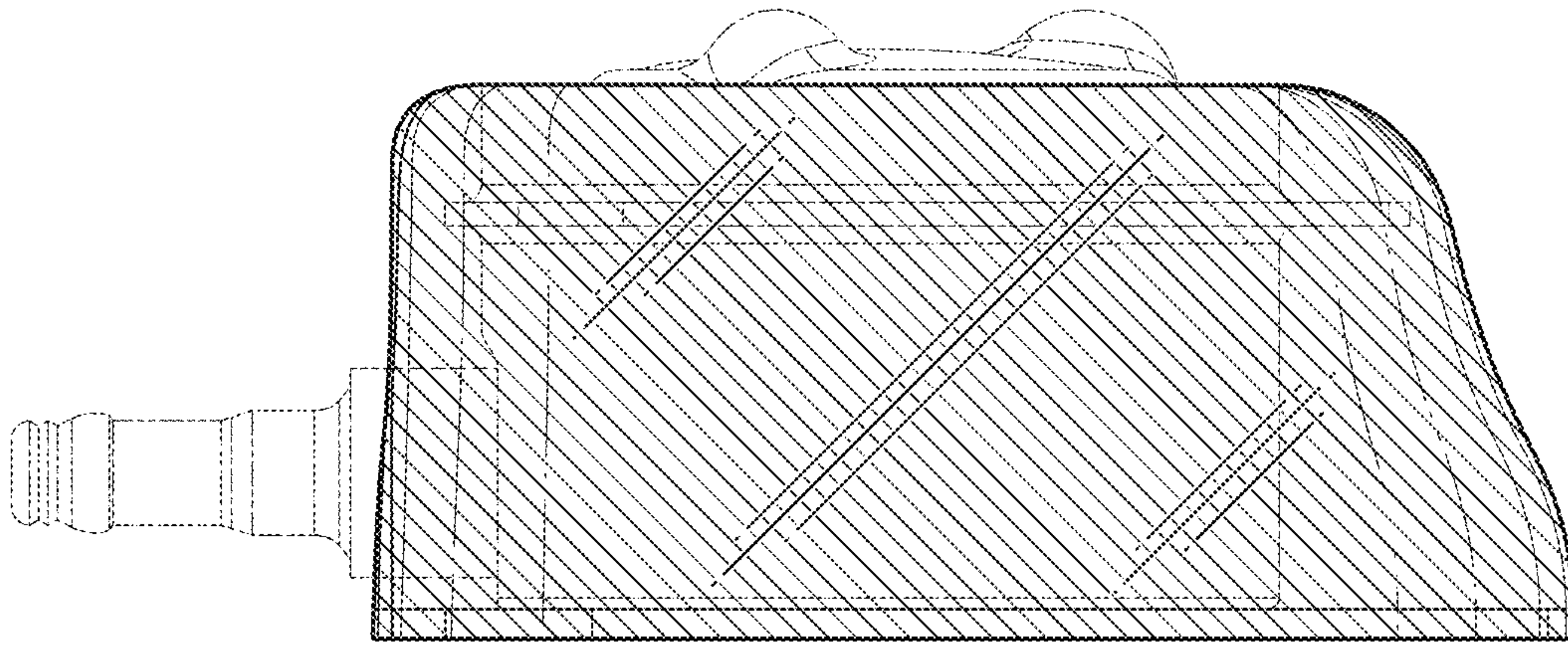


FIG. 3

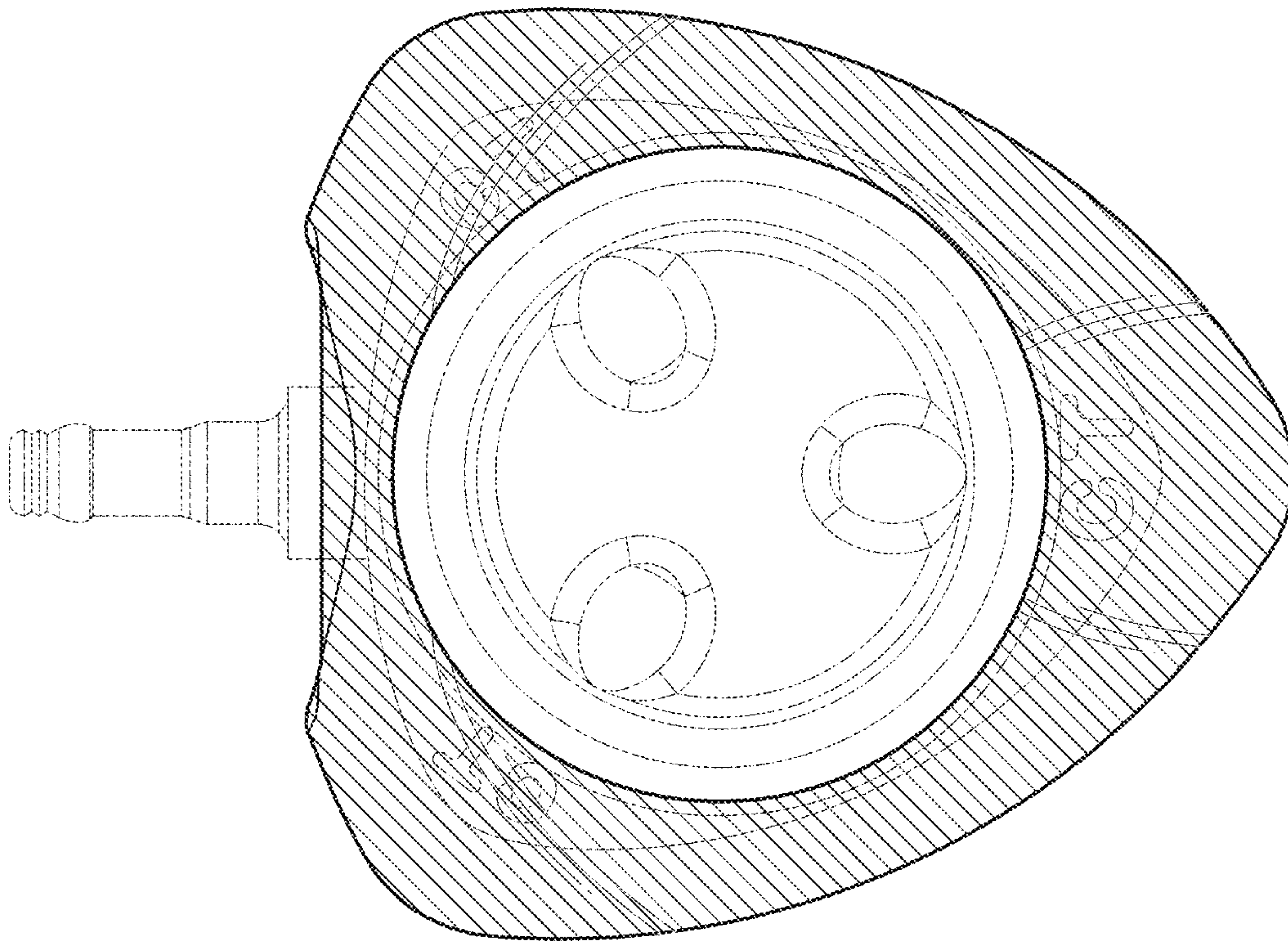


FIG. 4

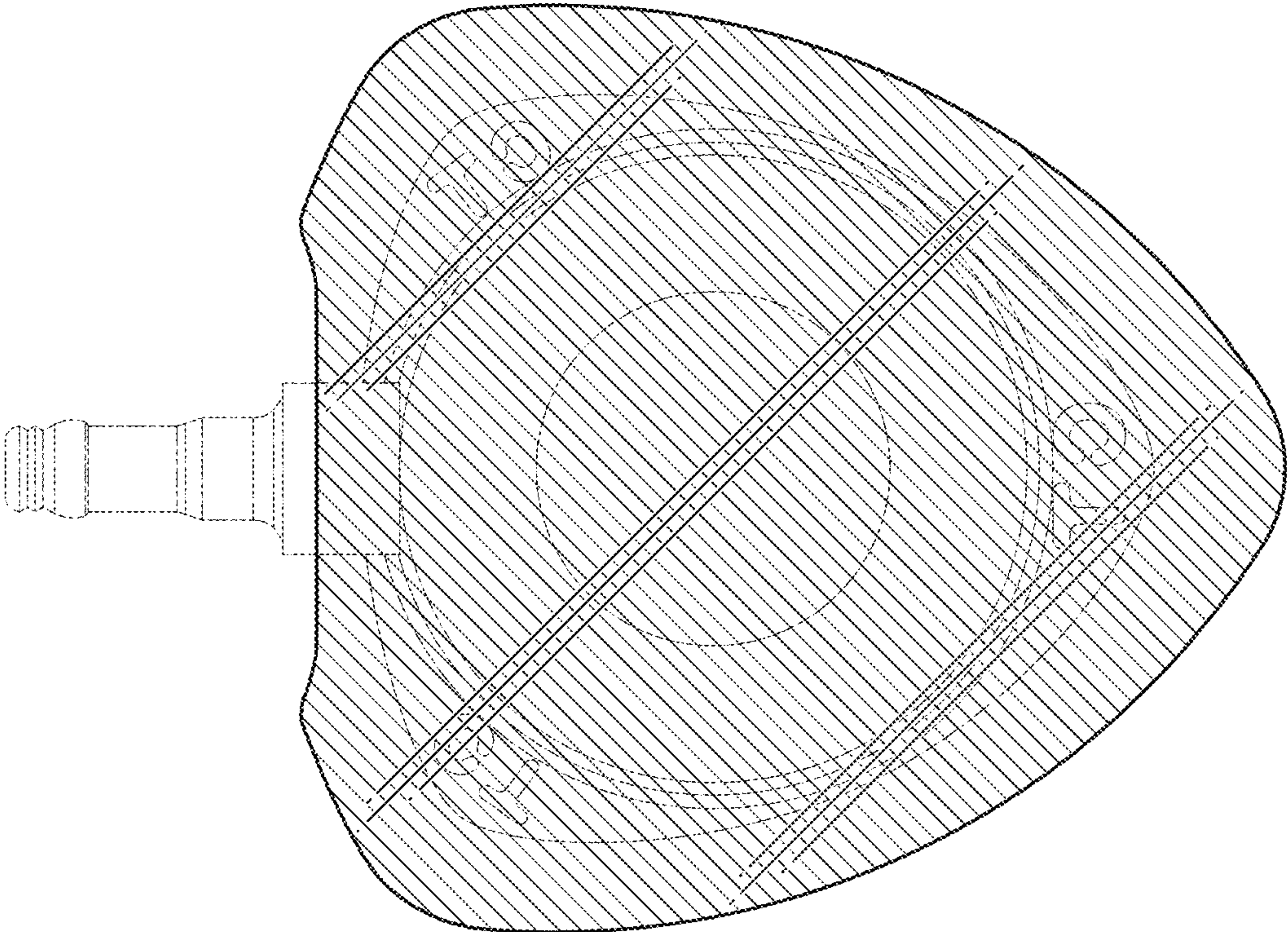


FIG. 5

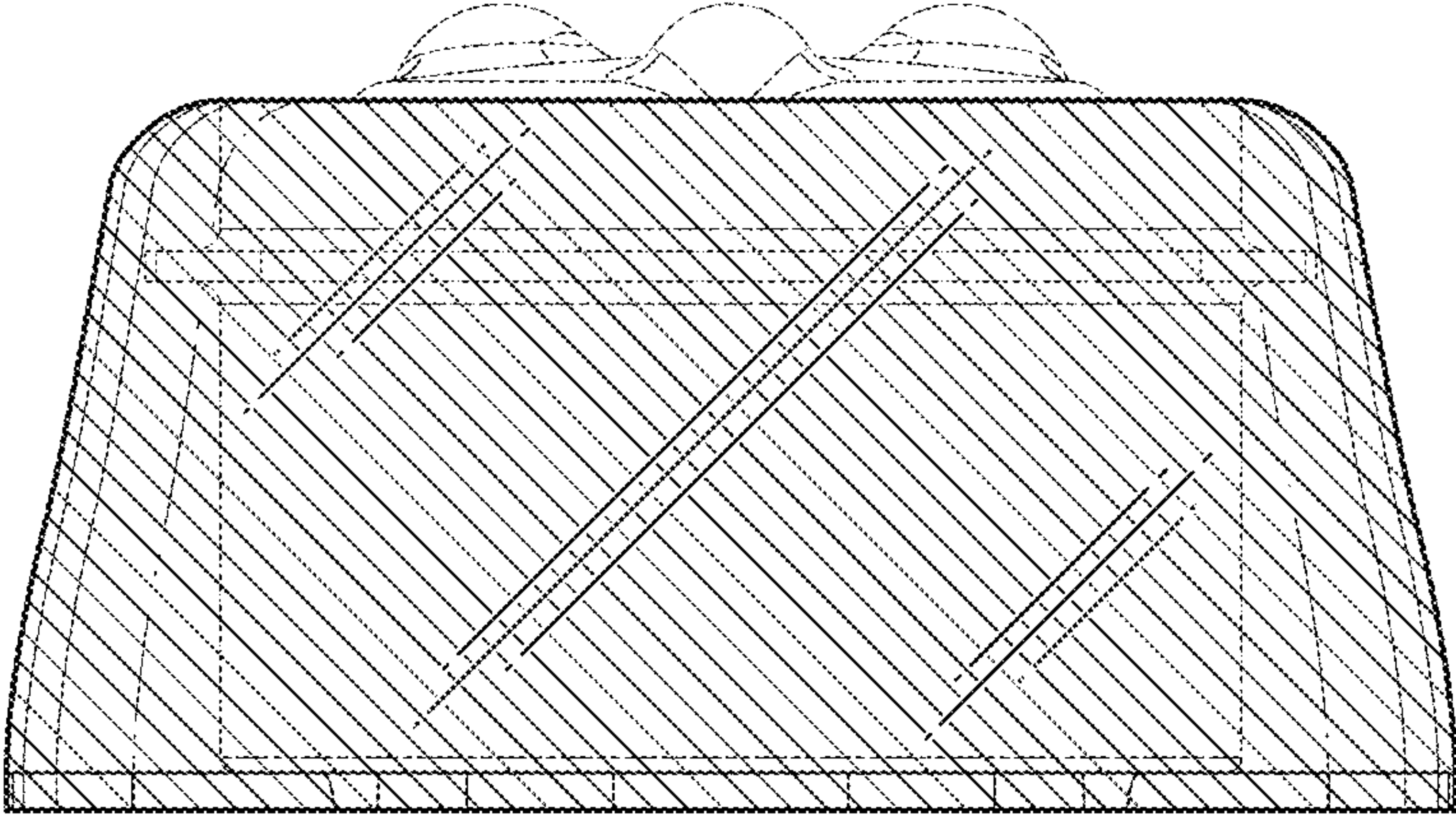


FIG. 6

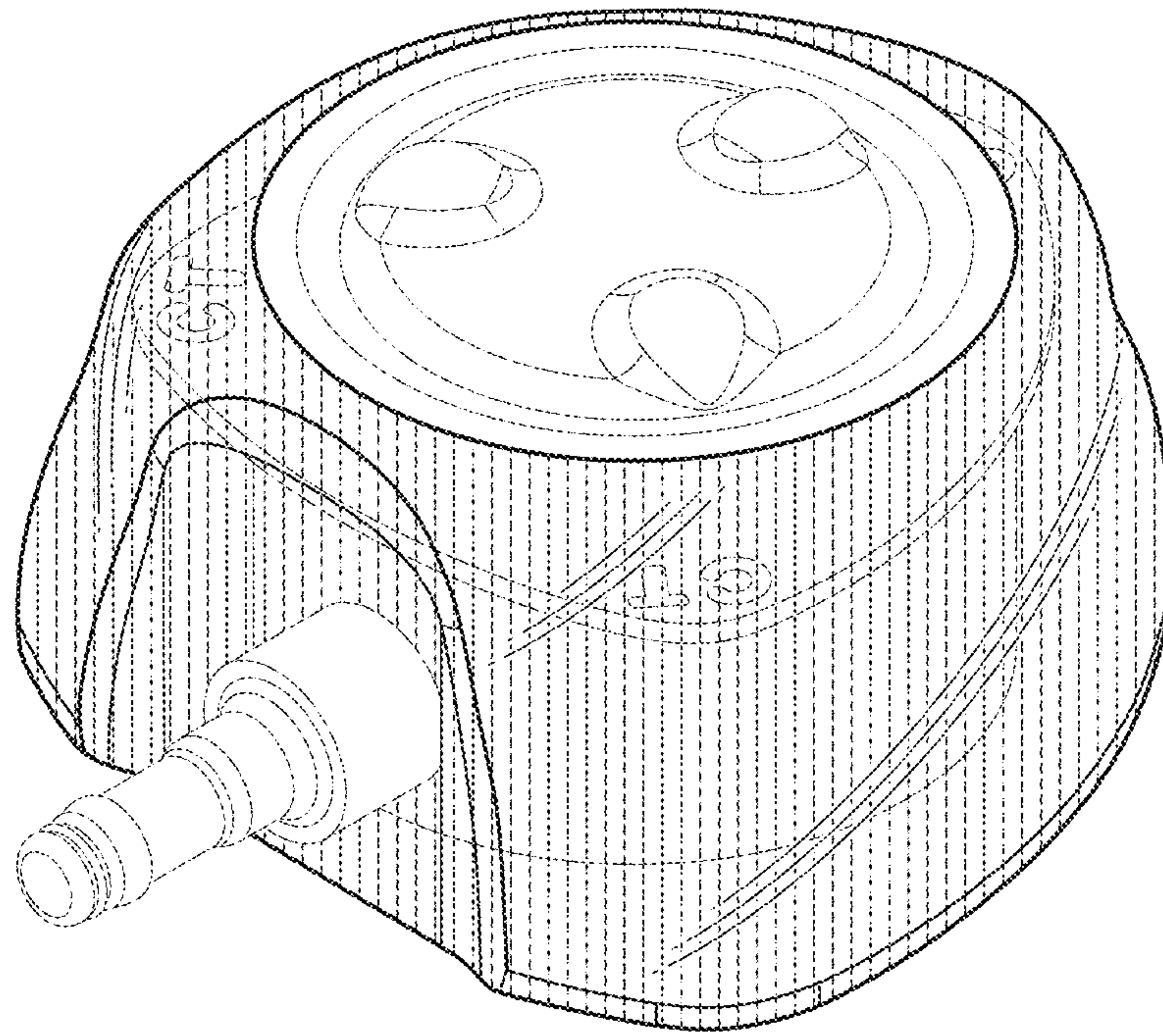


FIG. 7

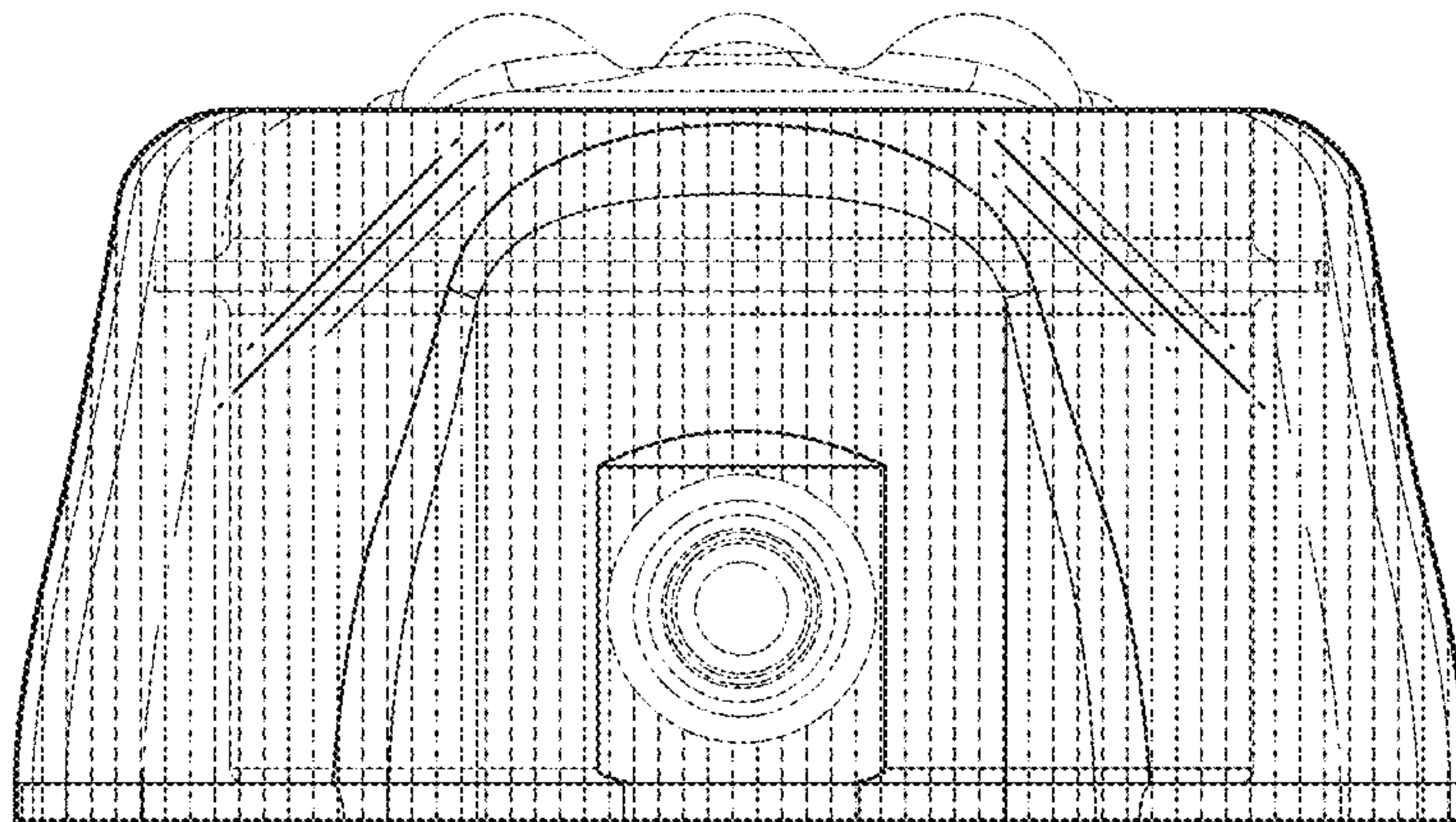


FIG. 8

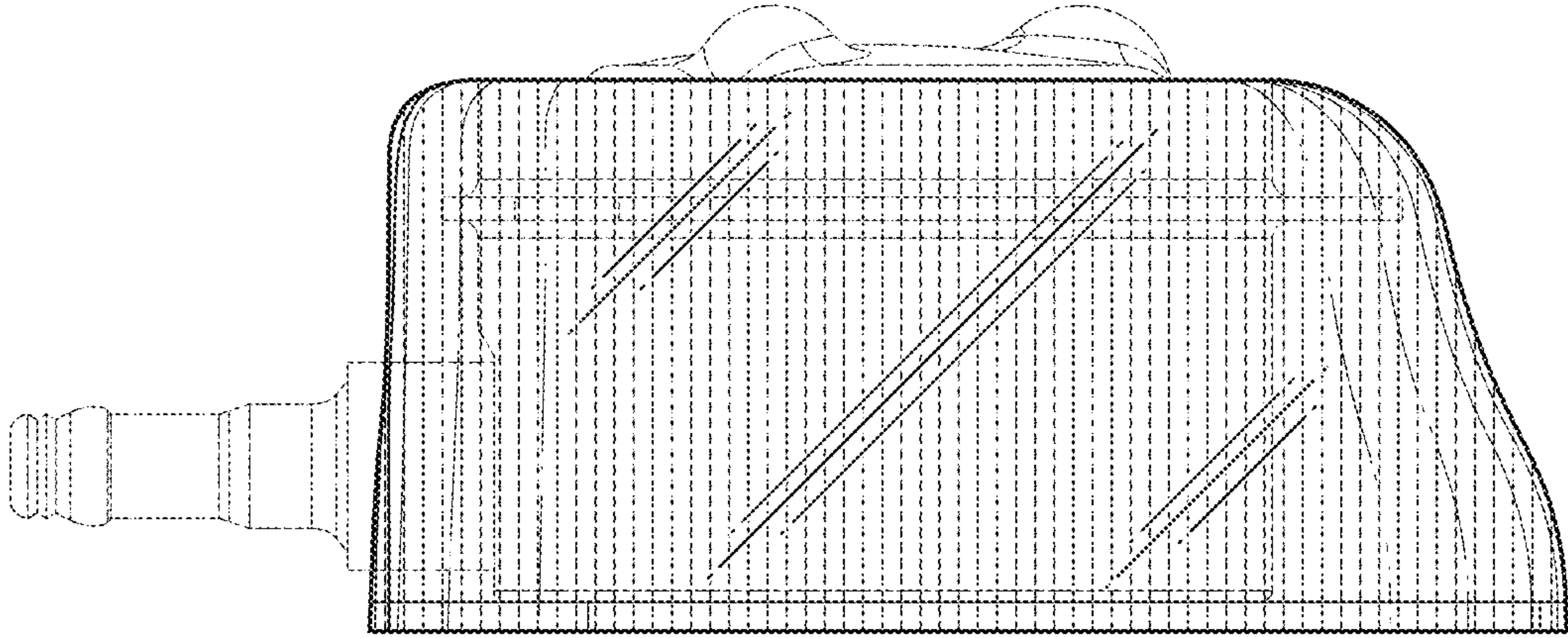


FIG. 9

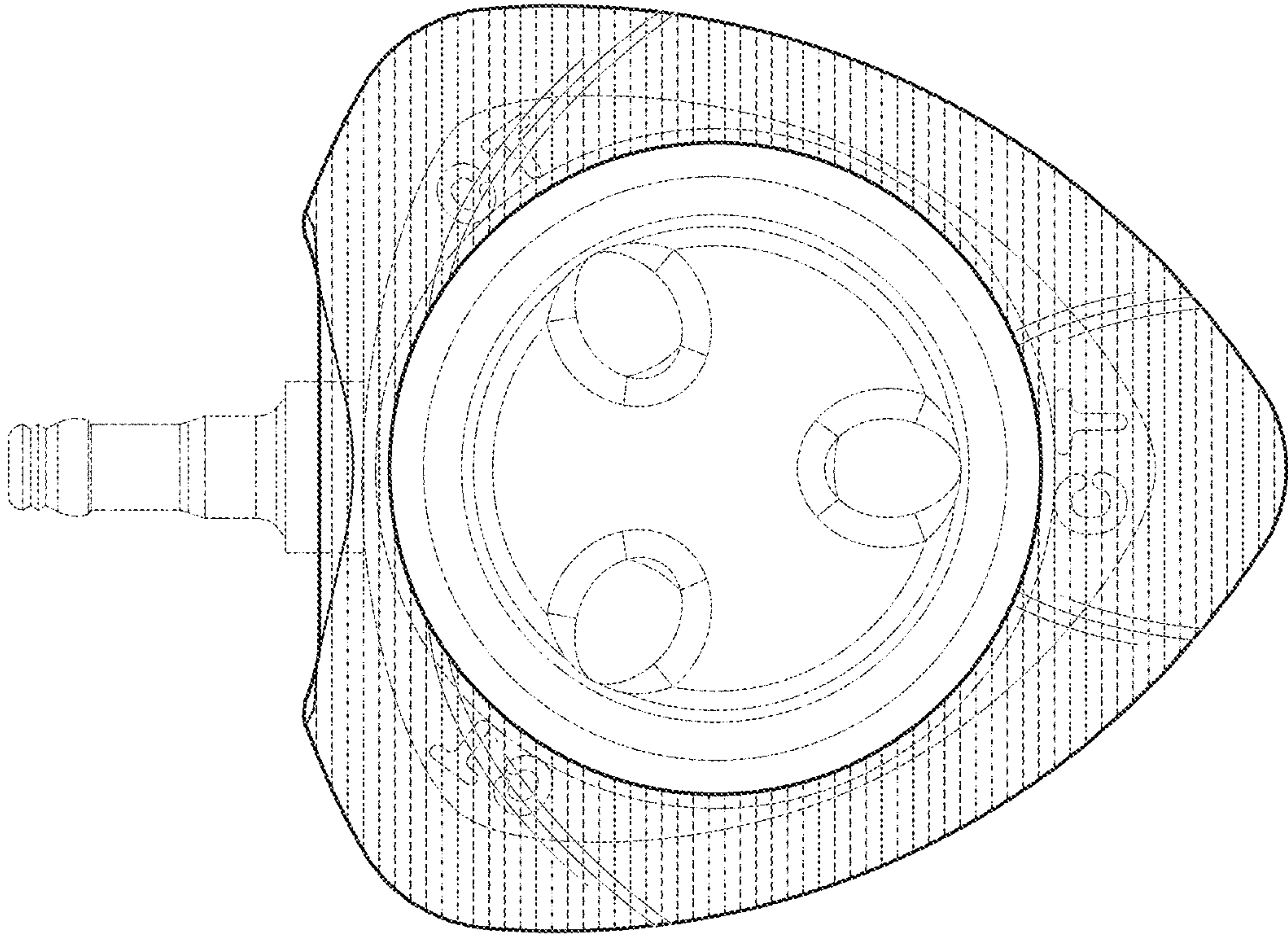


FIG. 10

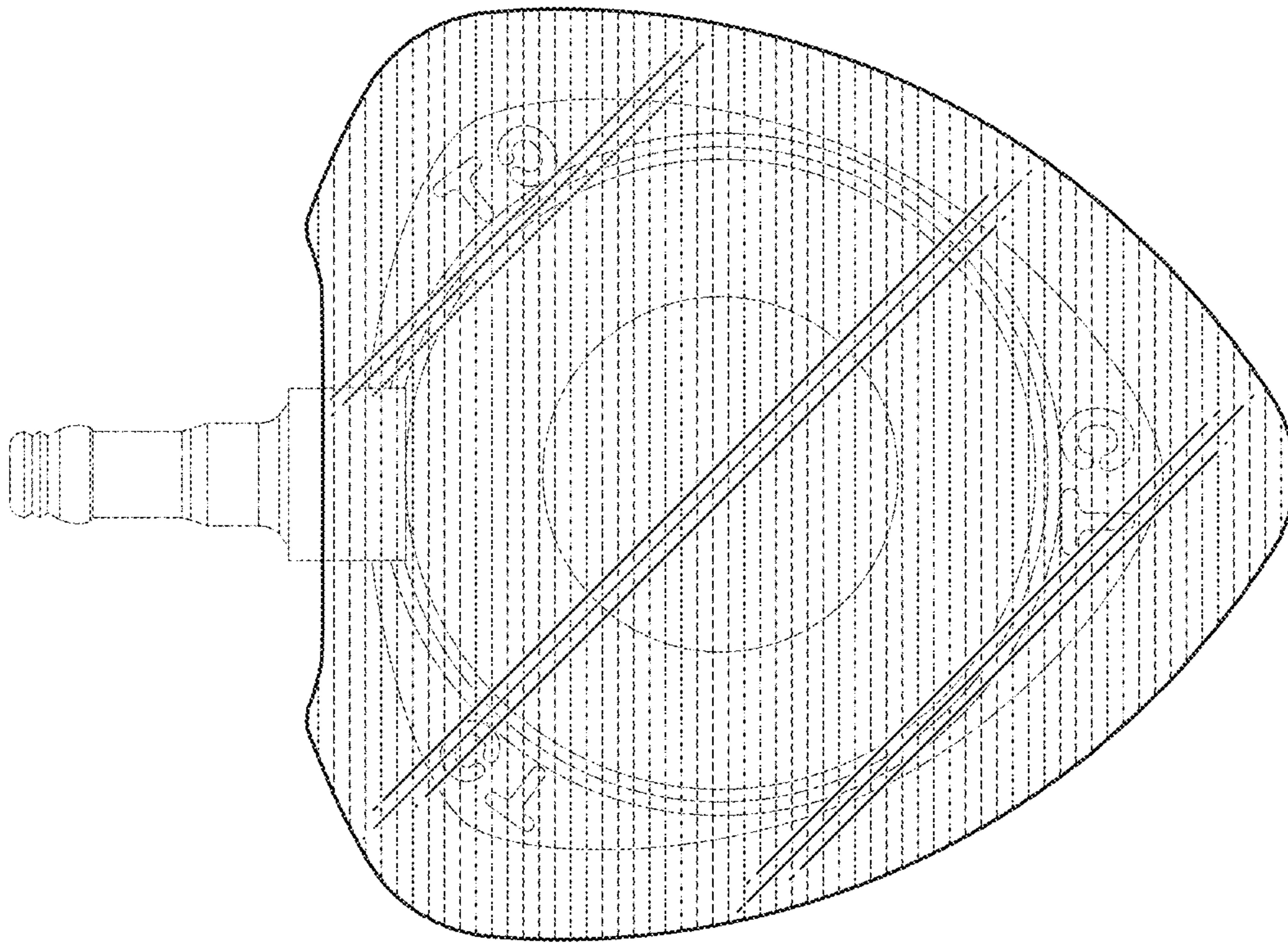


FIG. 11

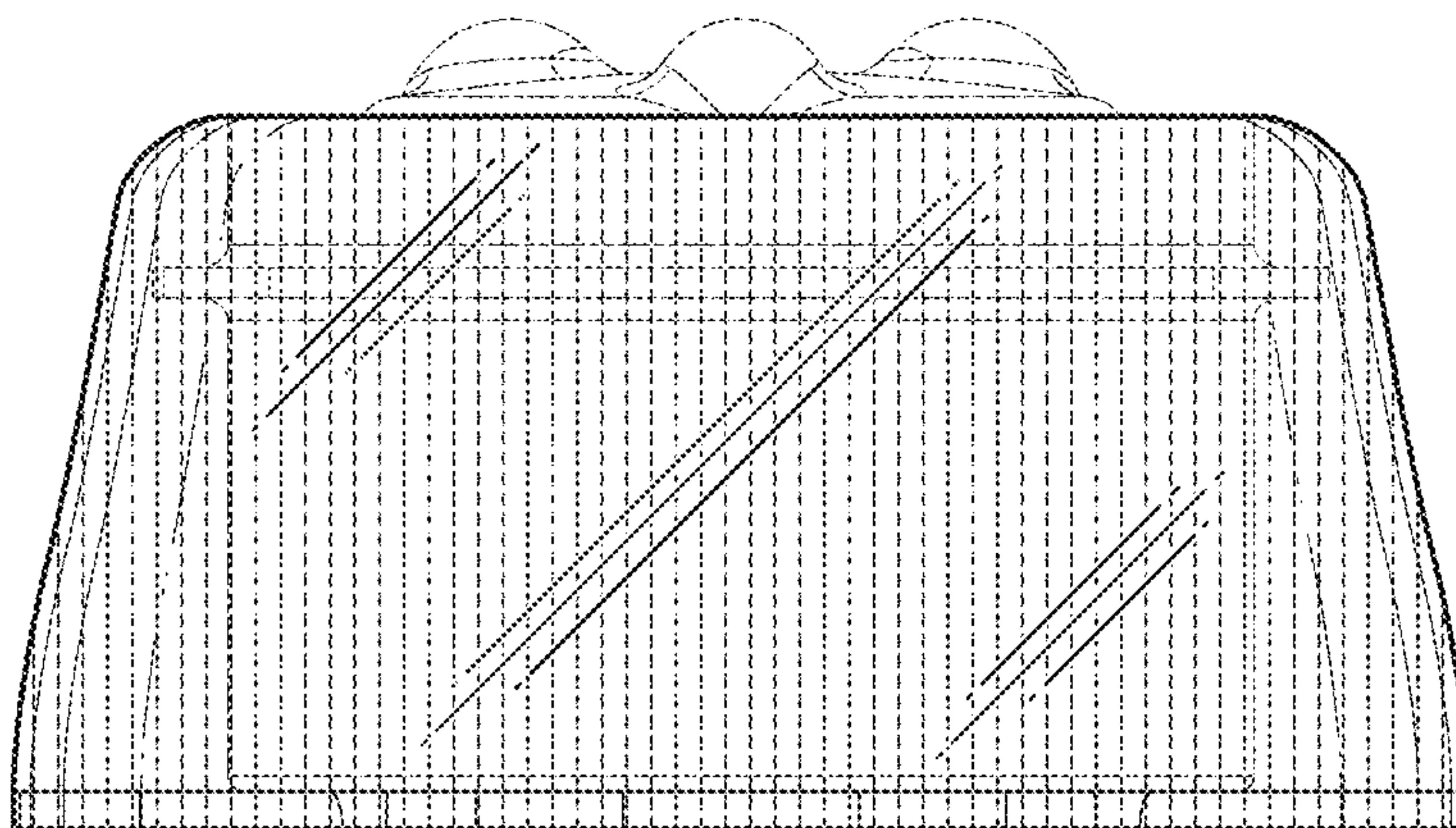


FIG. 12

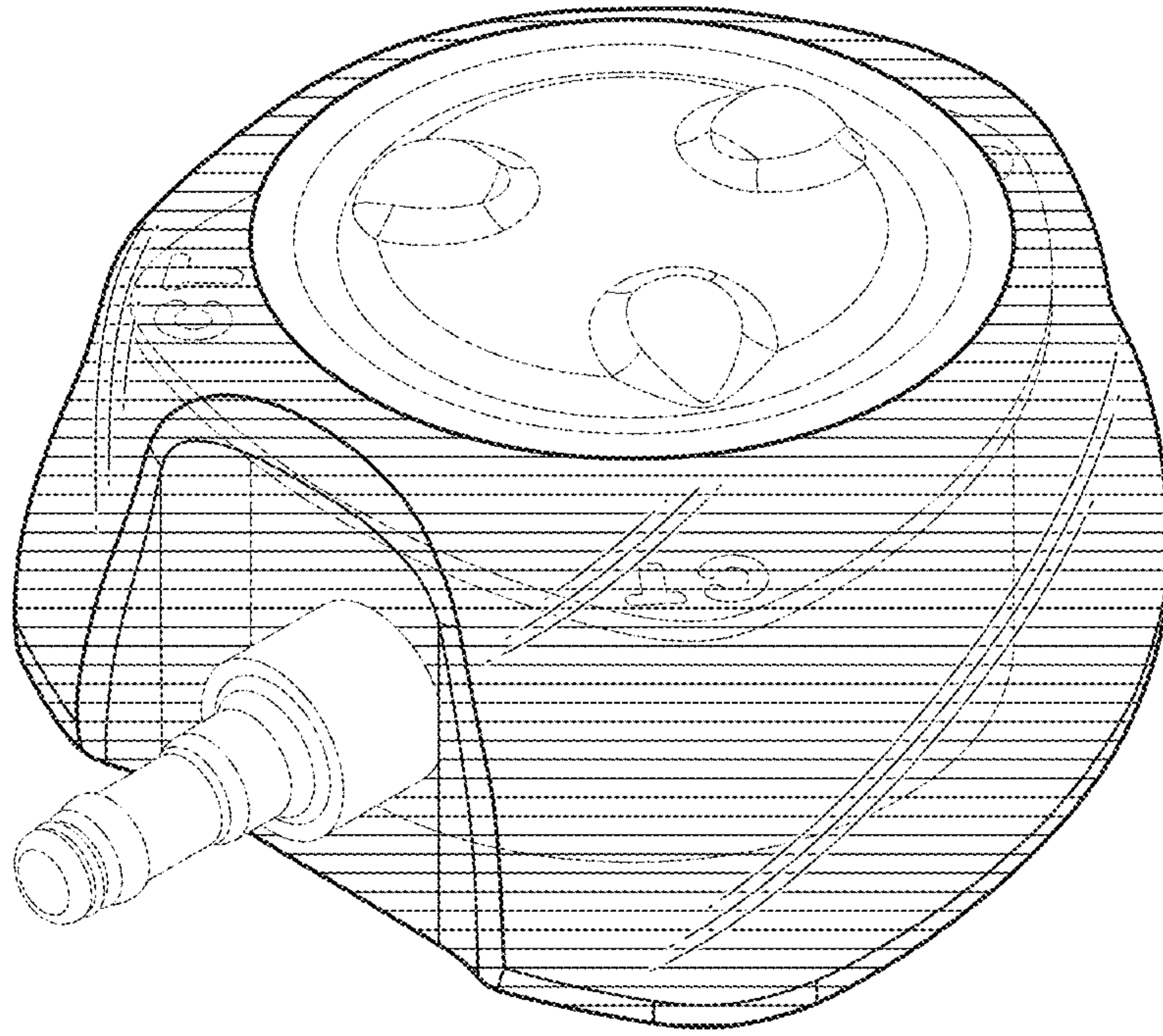


FIG. 13

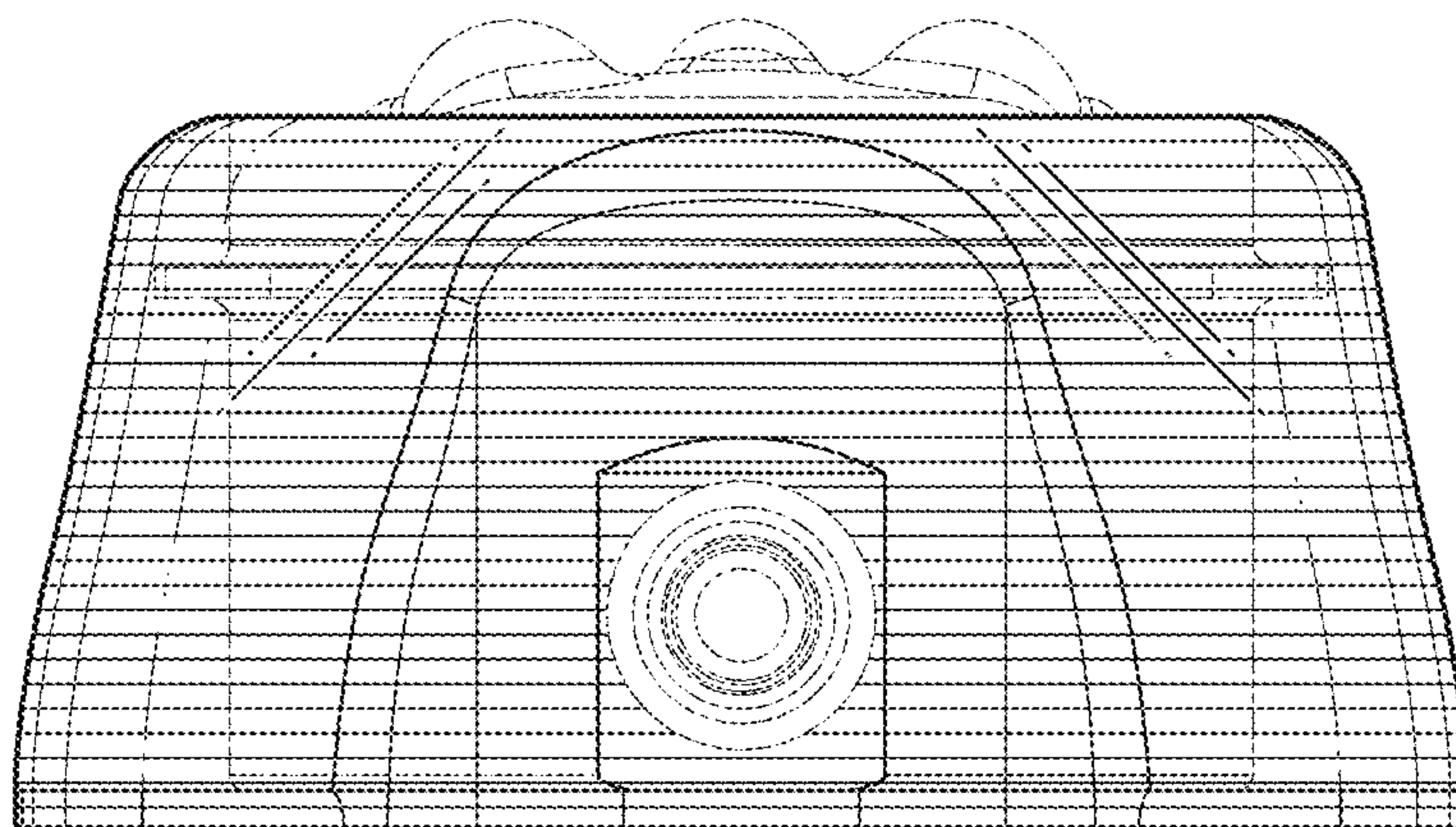


FIG. 14

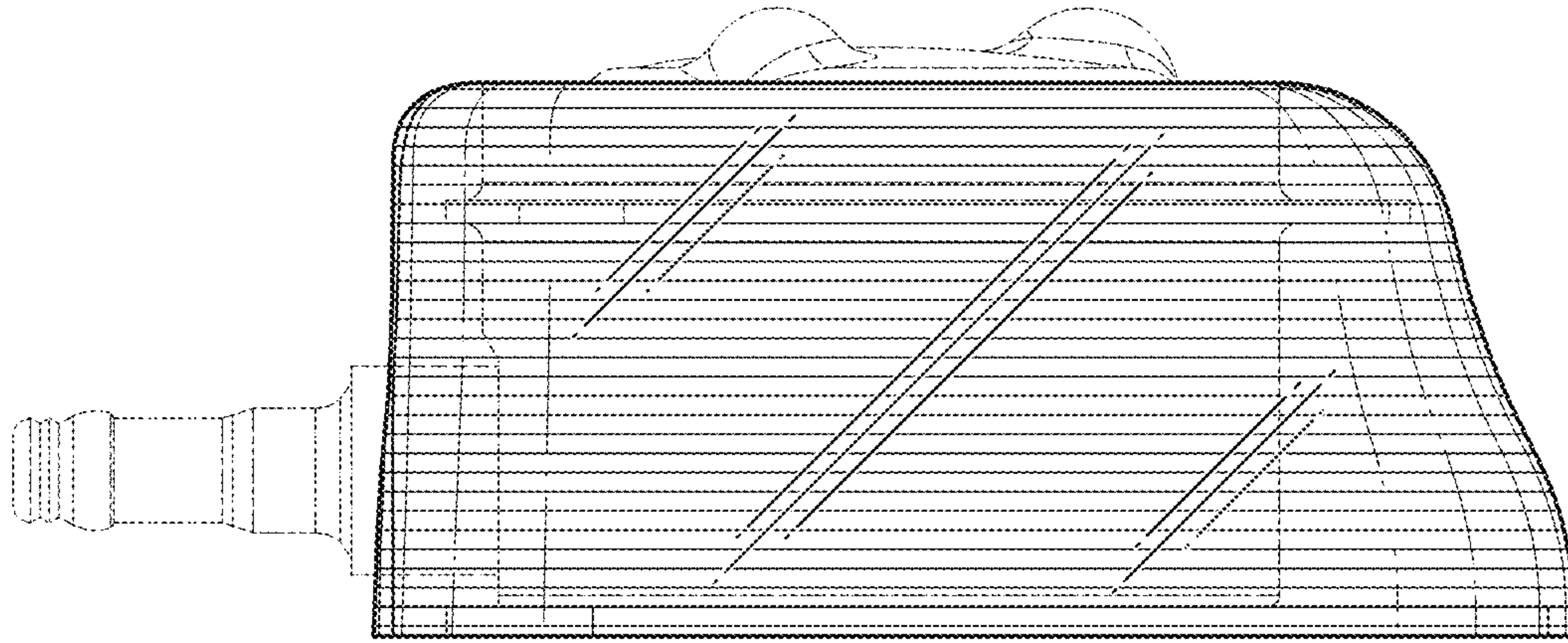


FIG. 15

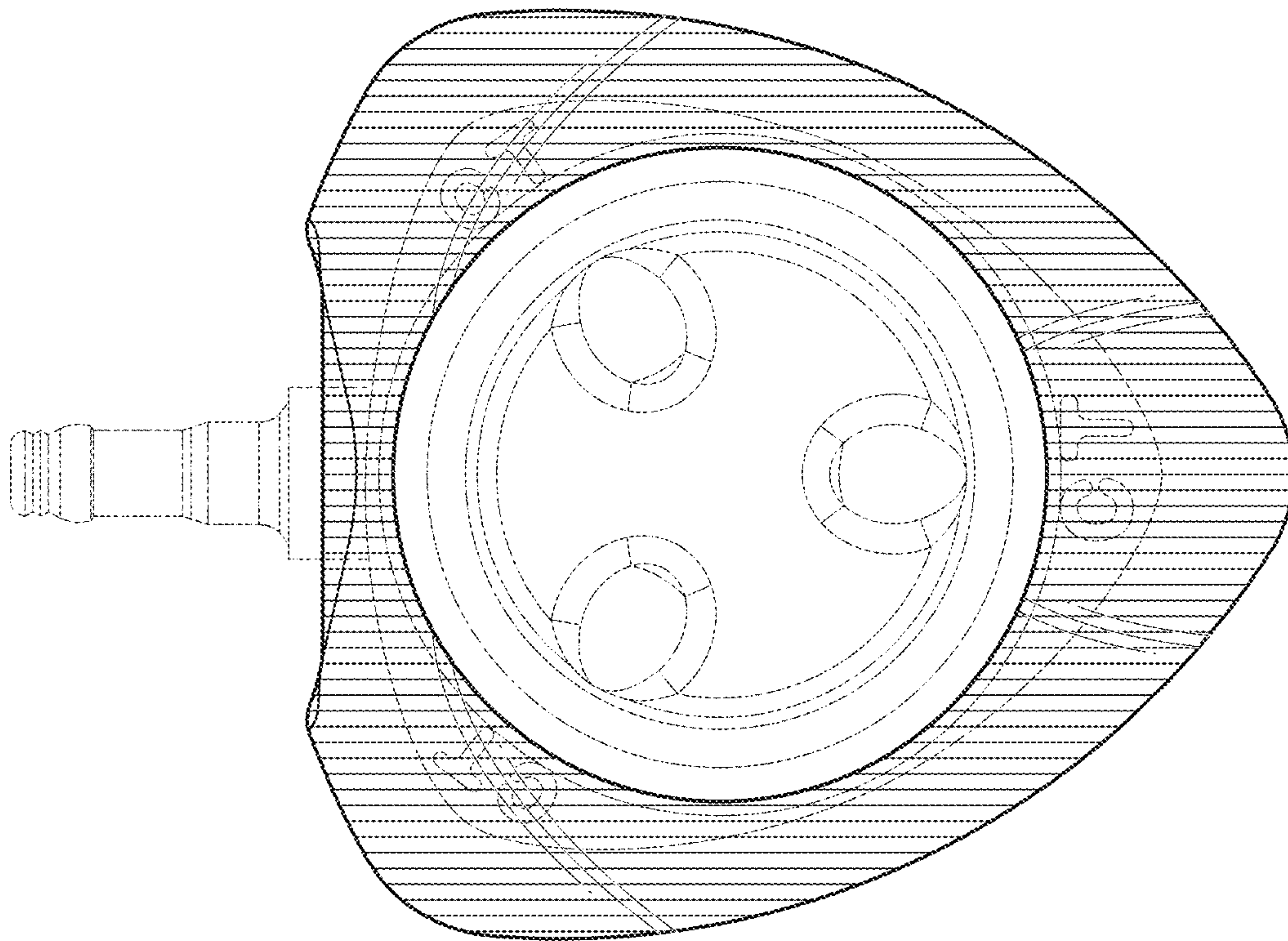


FIG. 16

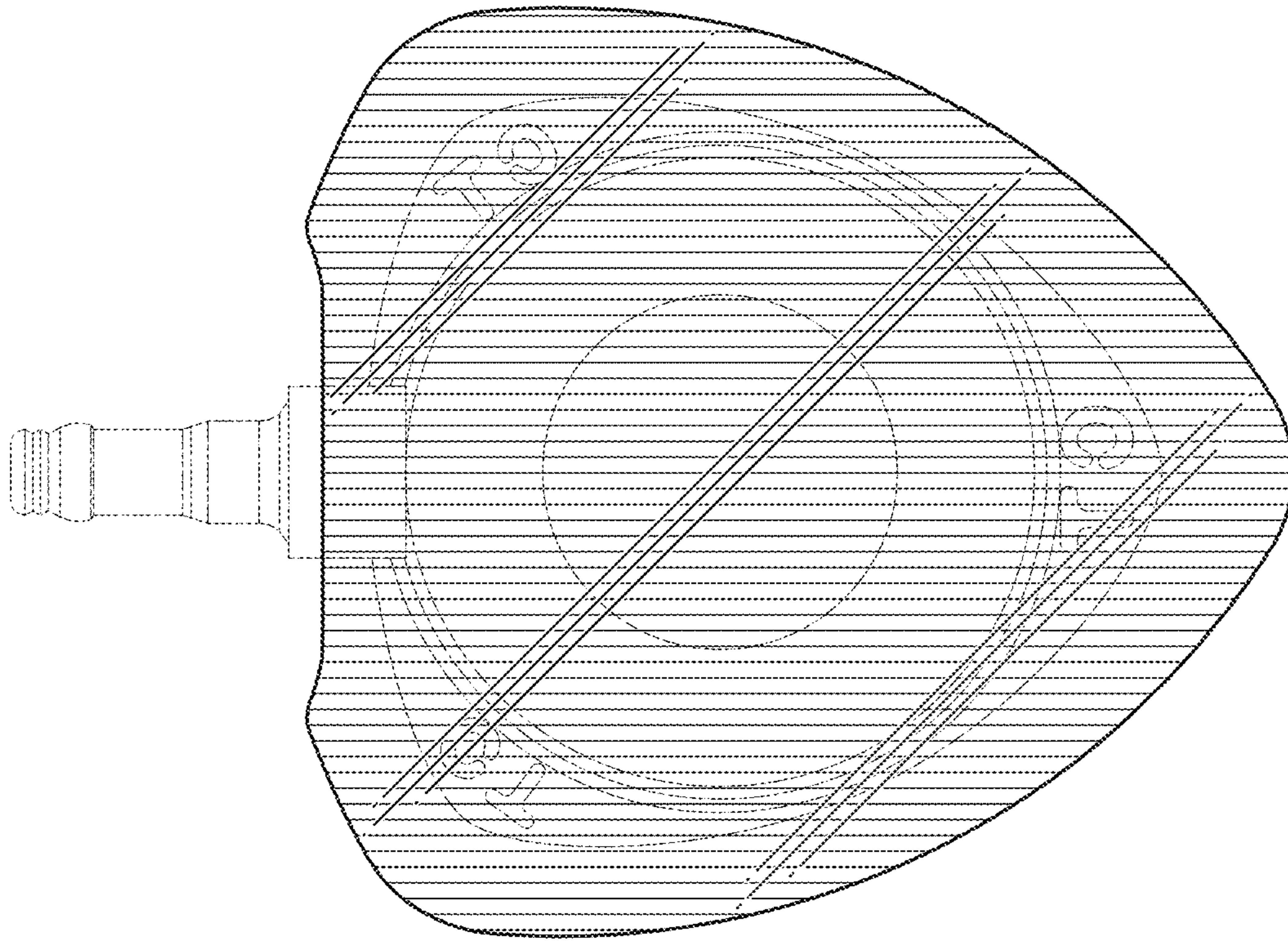


FIG. 17

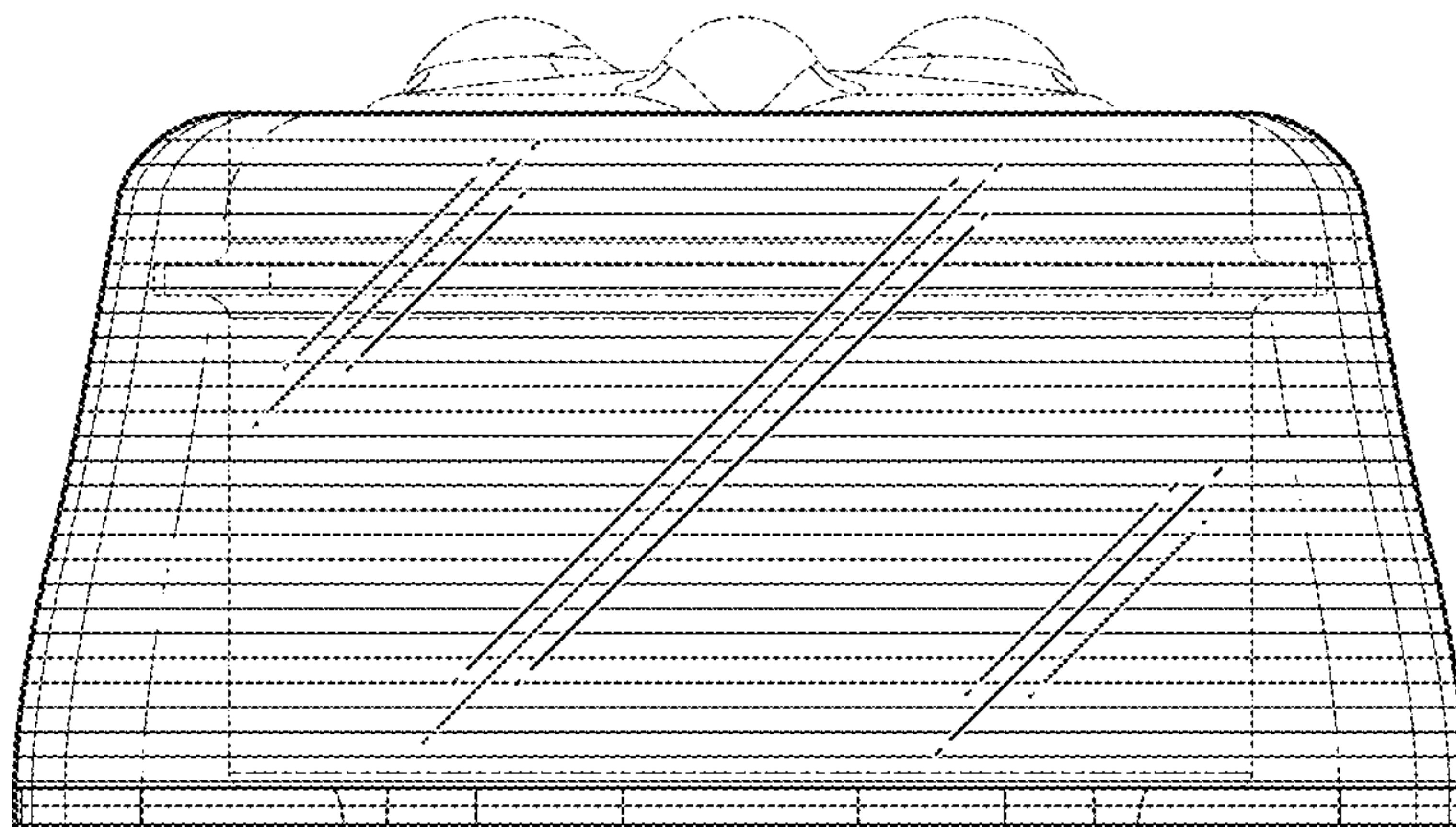


FIG. 18

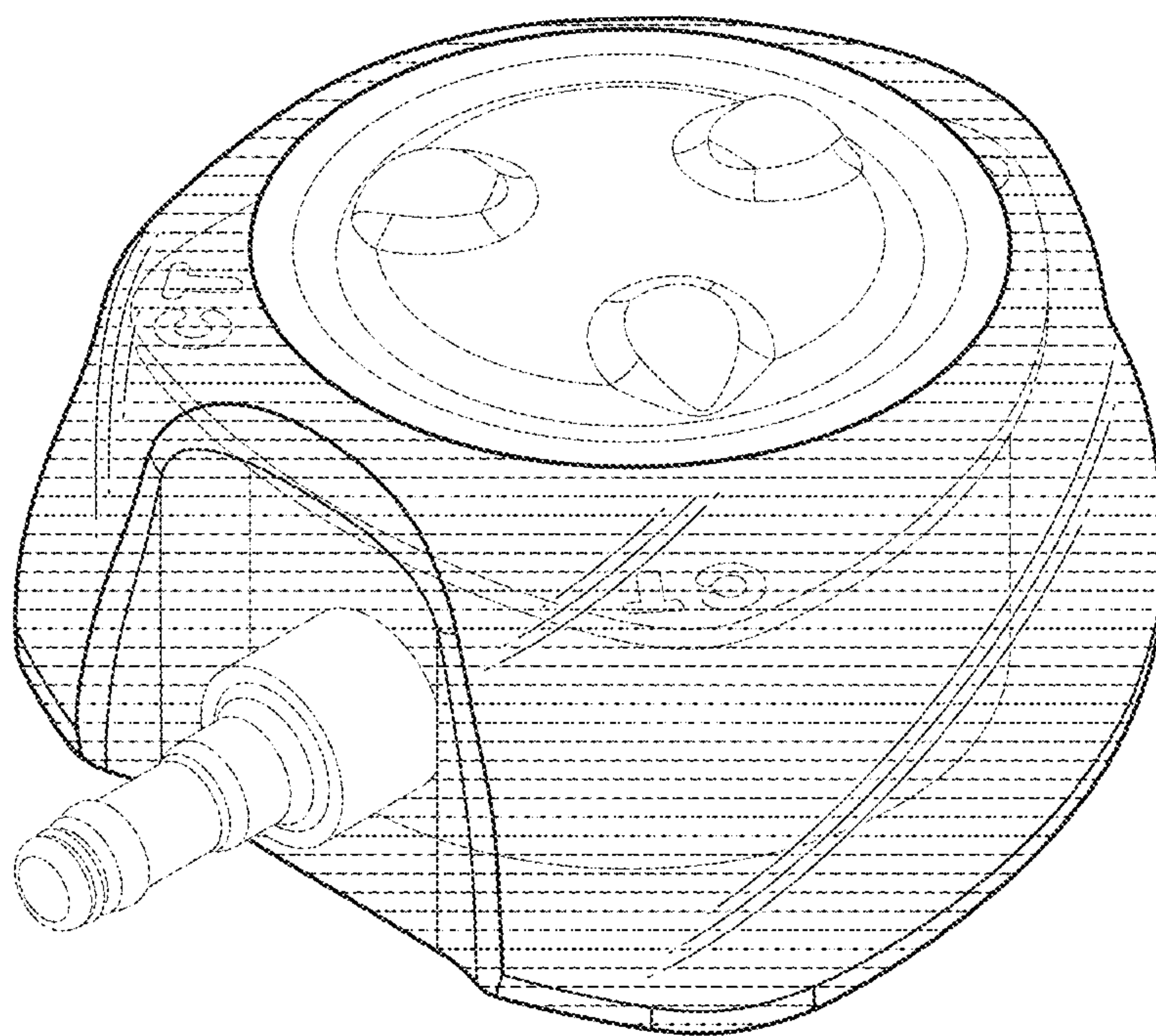


FIG. 19

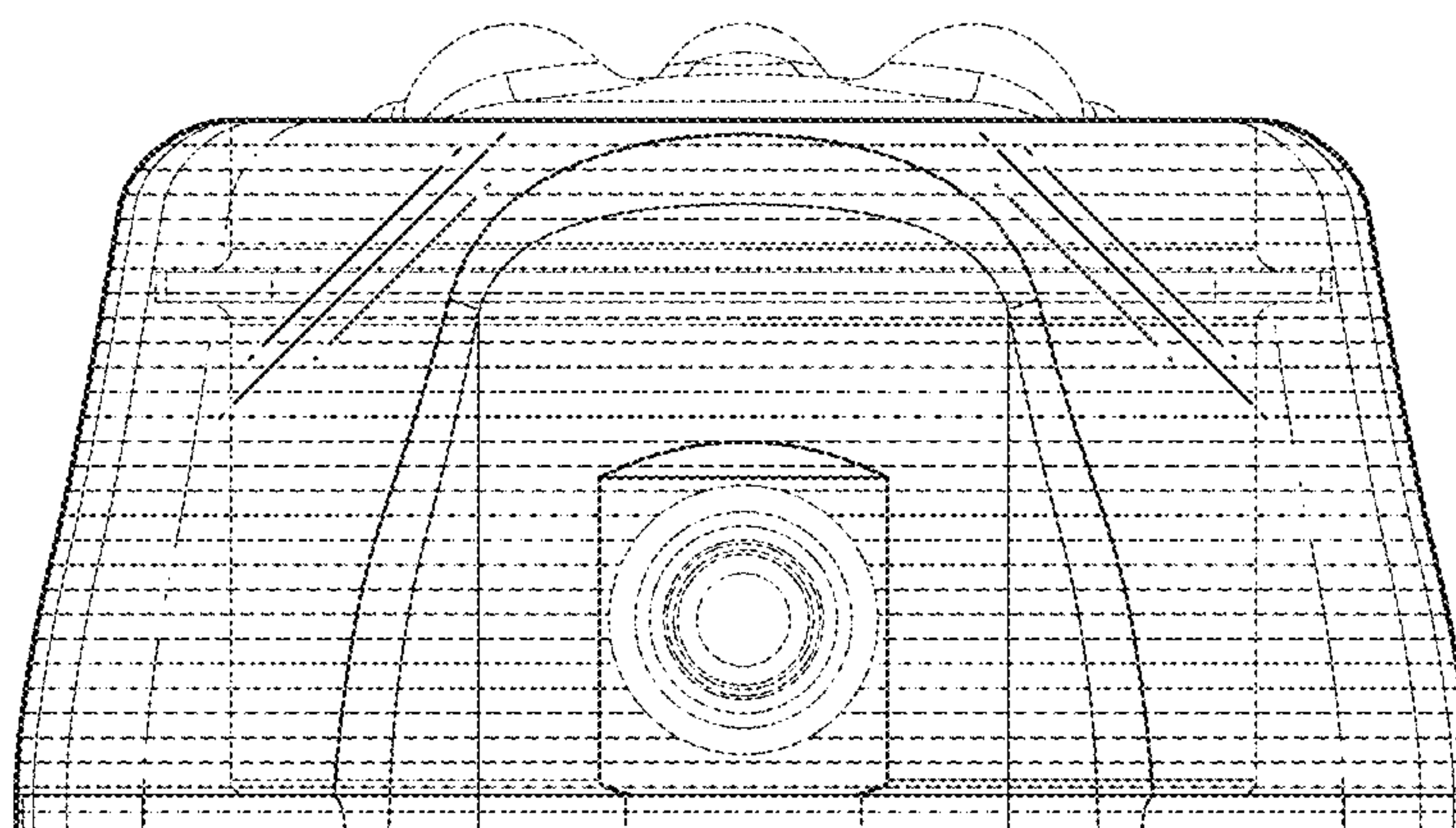


FIG. 20

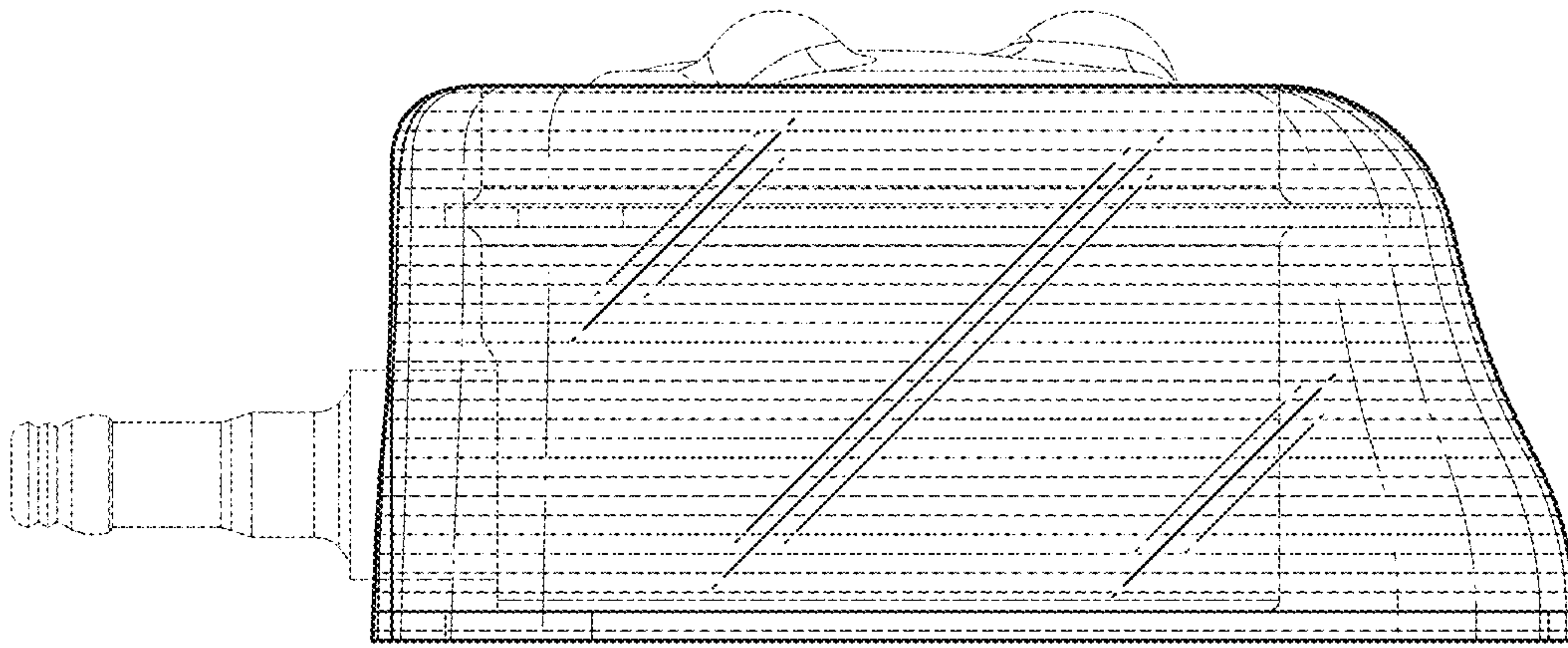


FIG. 21

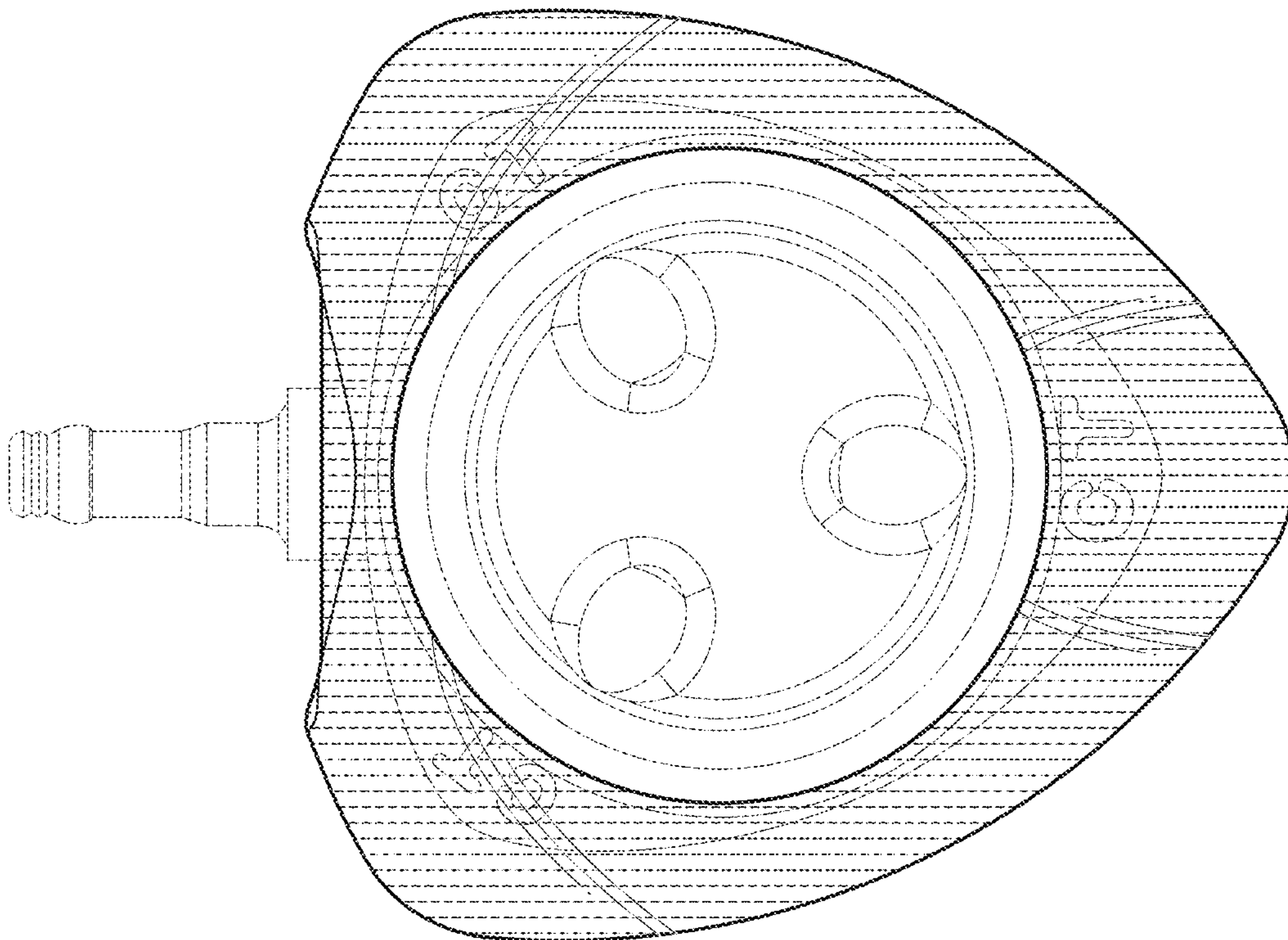


FIG. 22

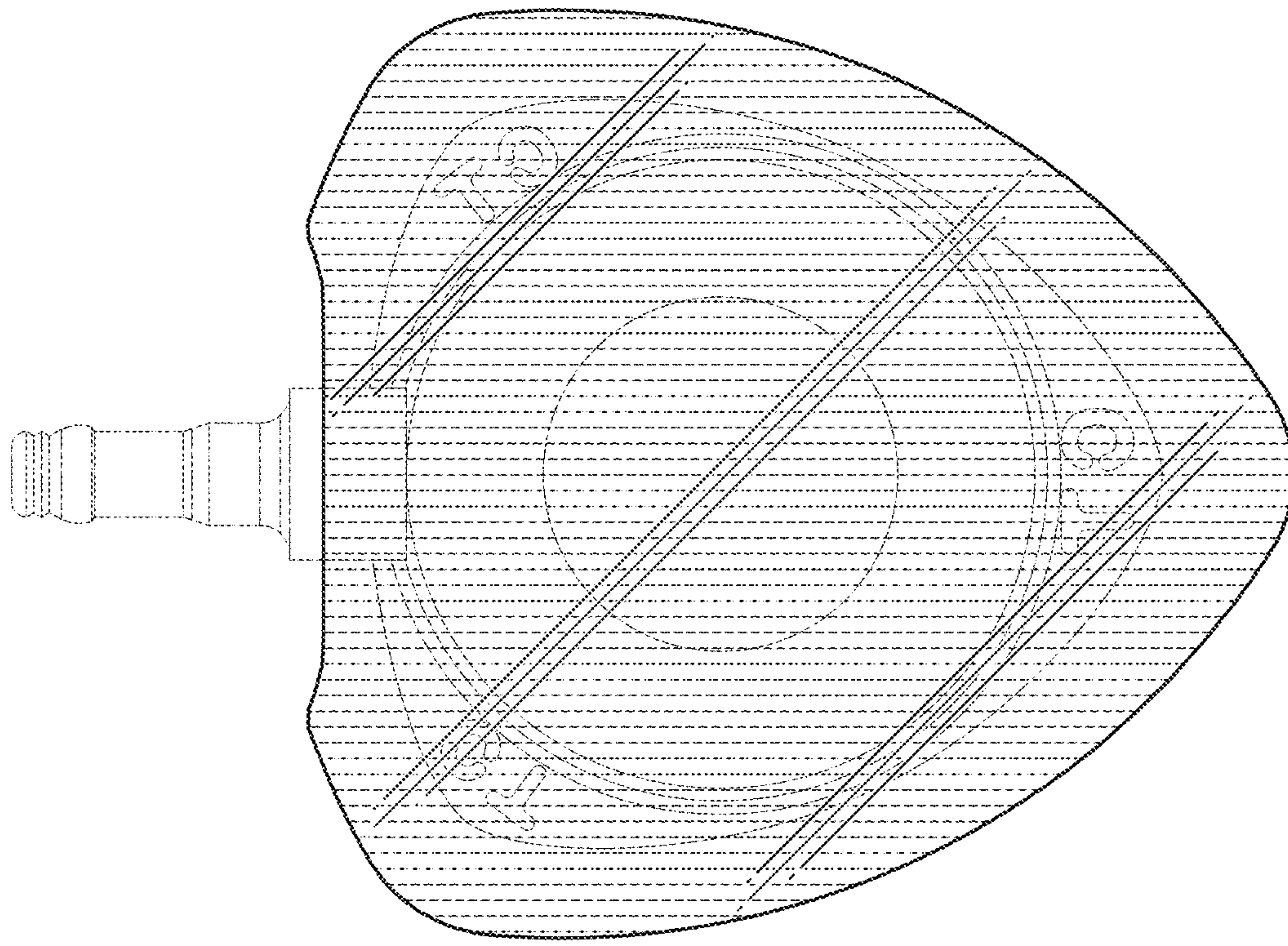


FIG. 23

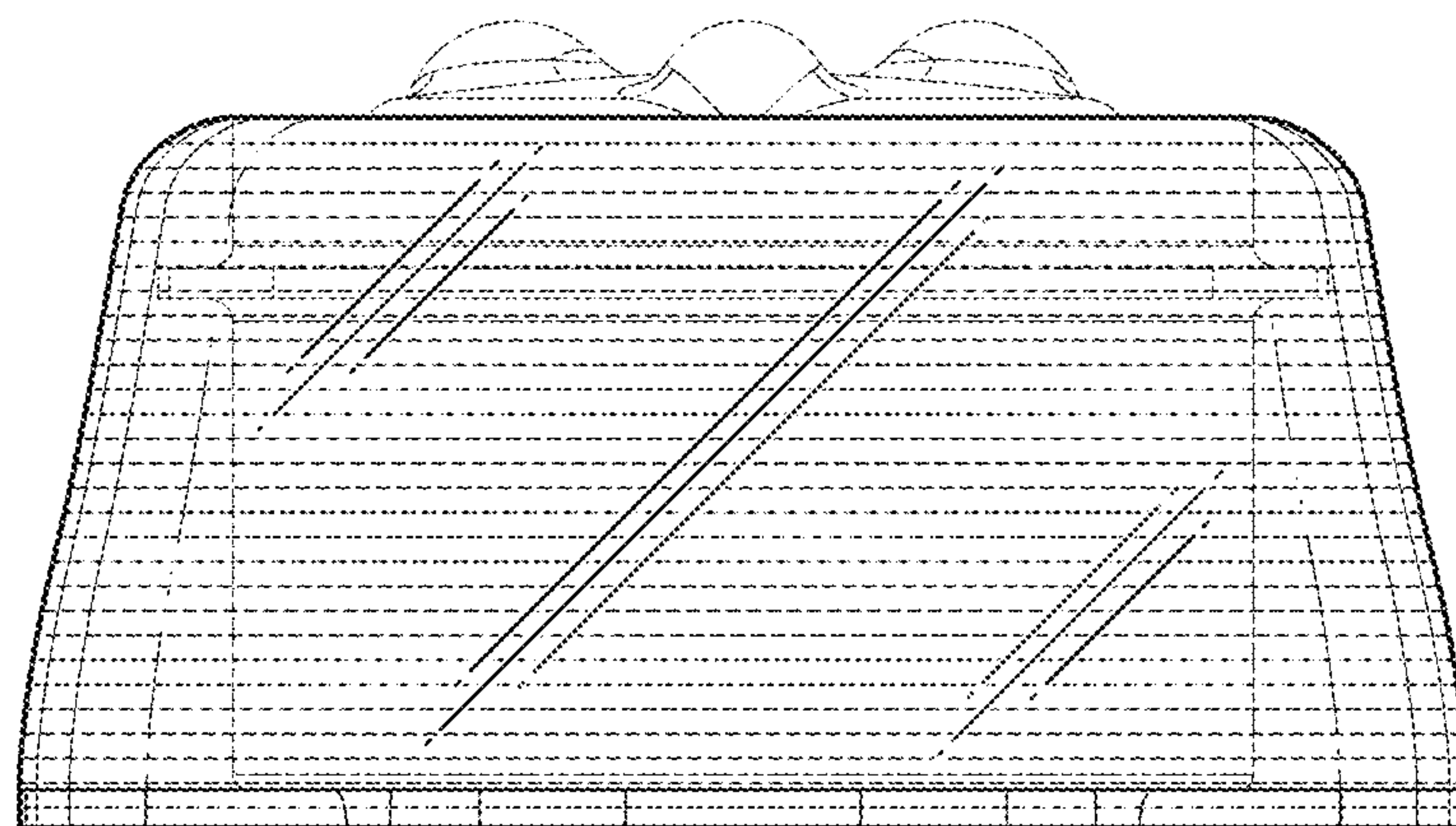


FIG. 24

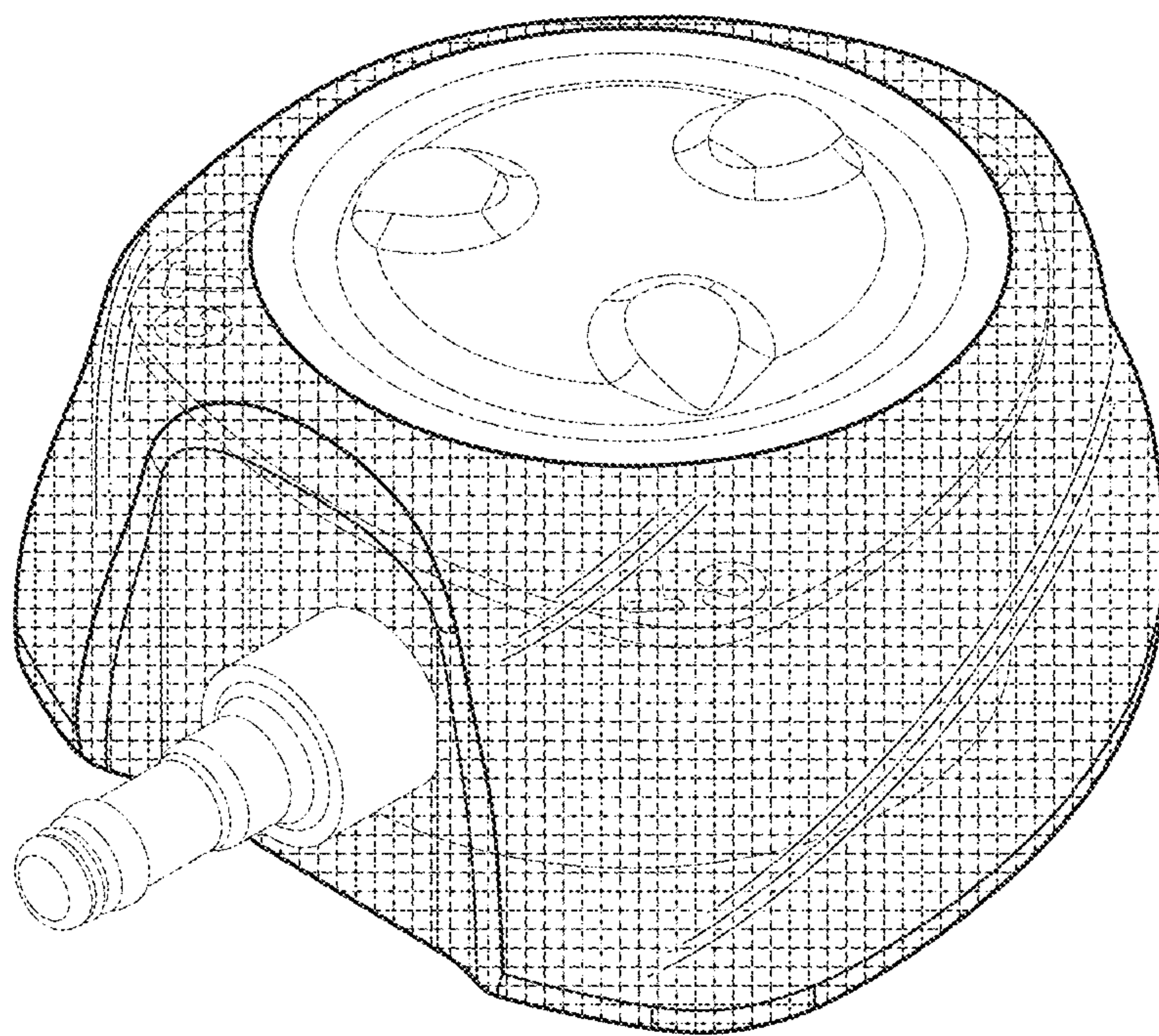


FIG. 25

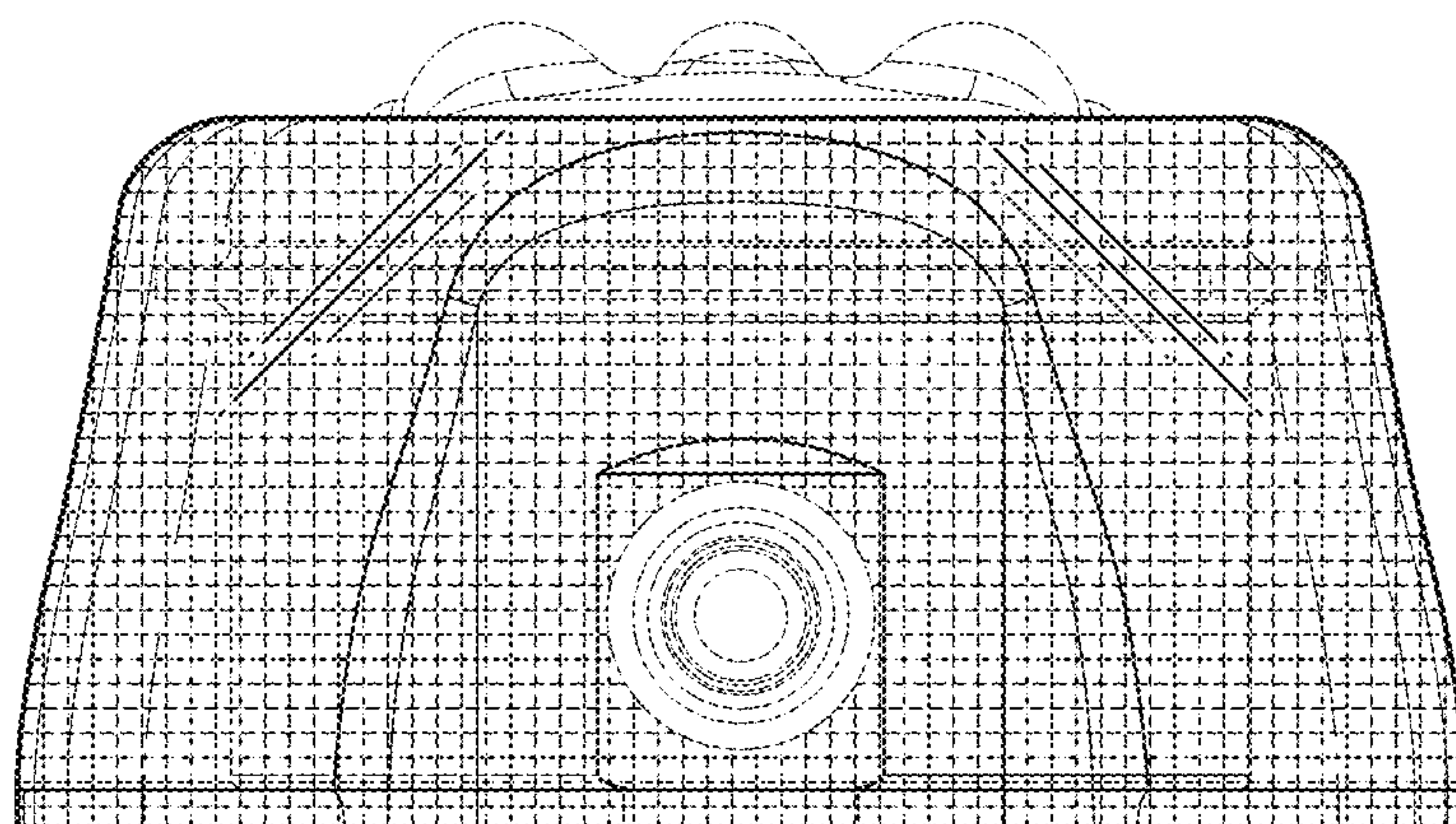


FIG. 26

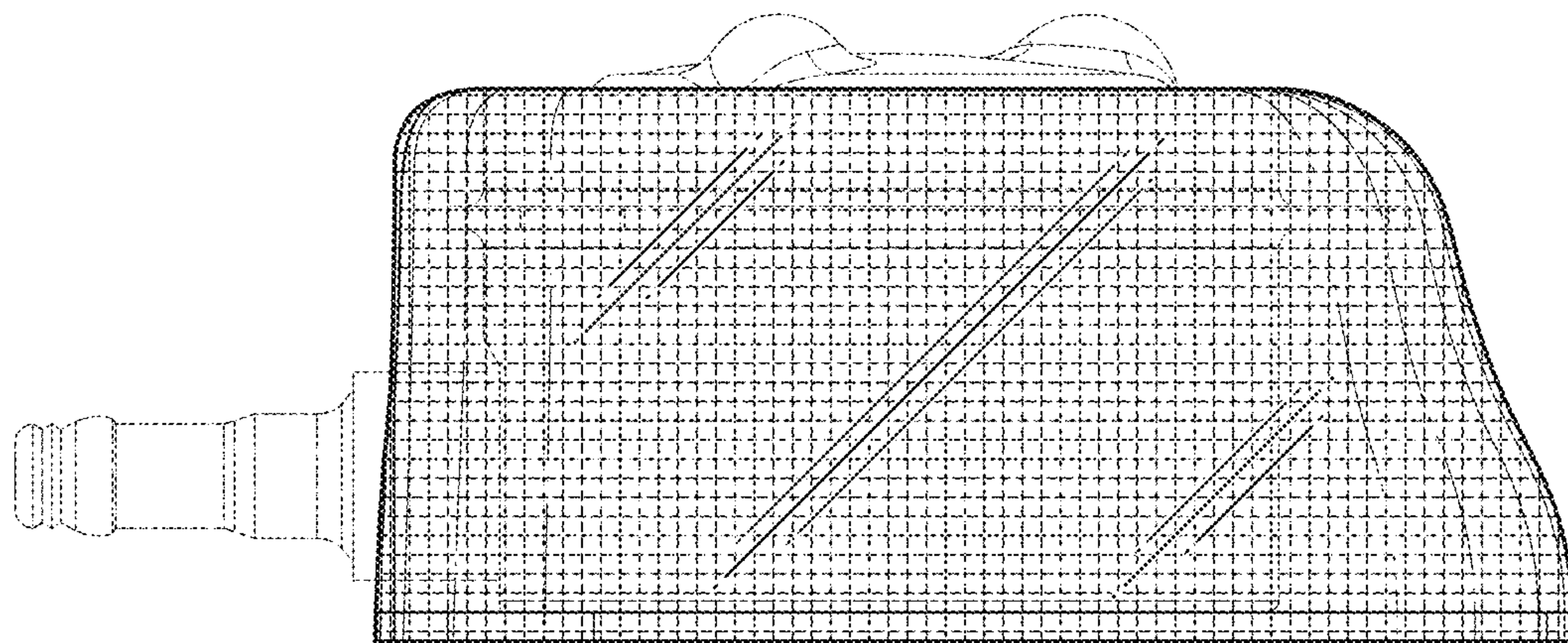


FIG. 27

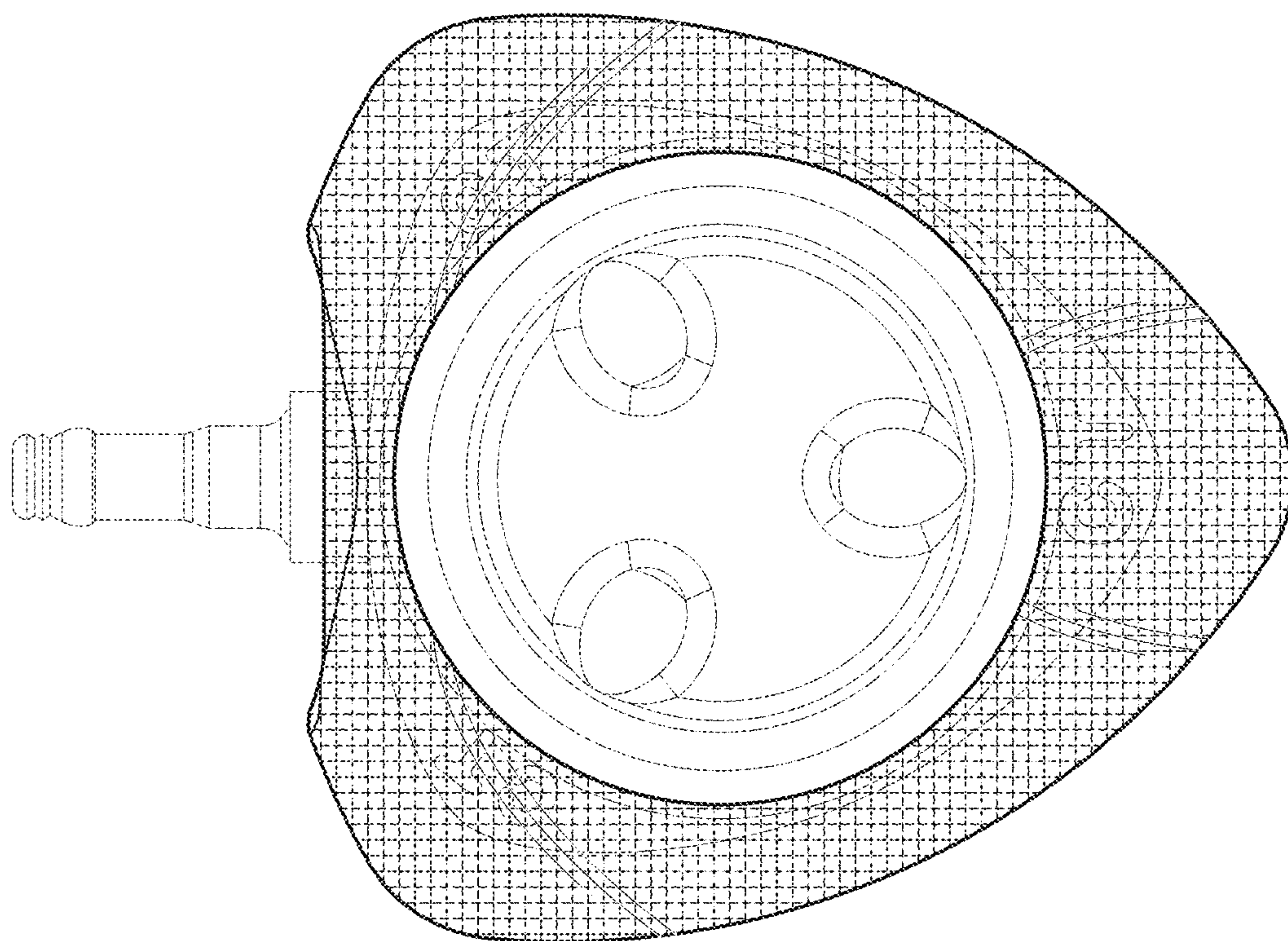


FIG. 28

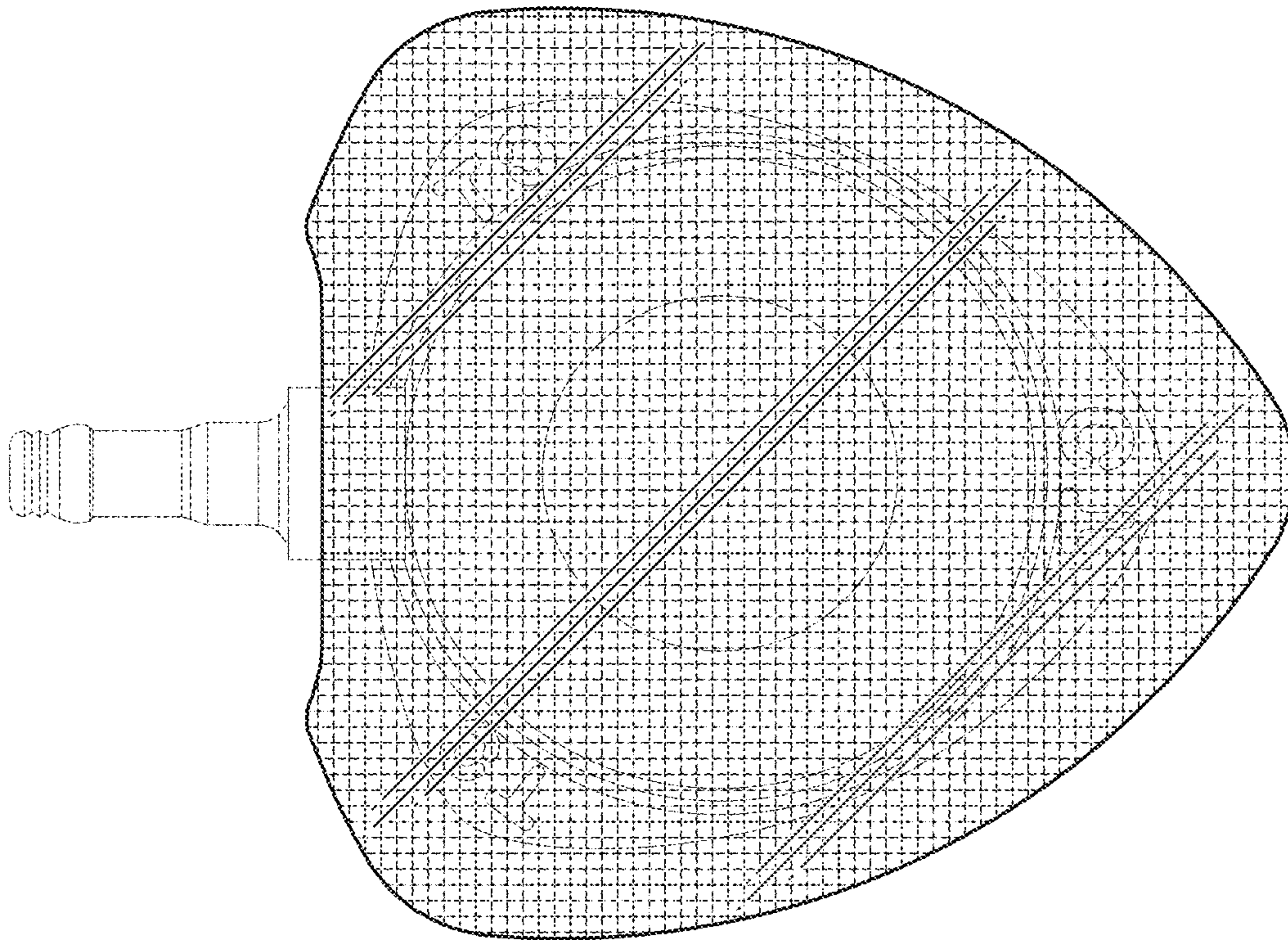


FIG. 29

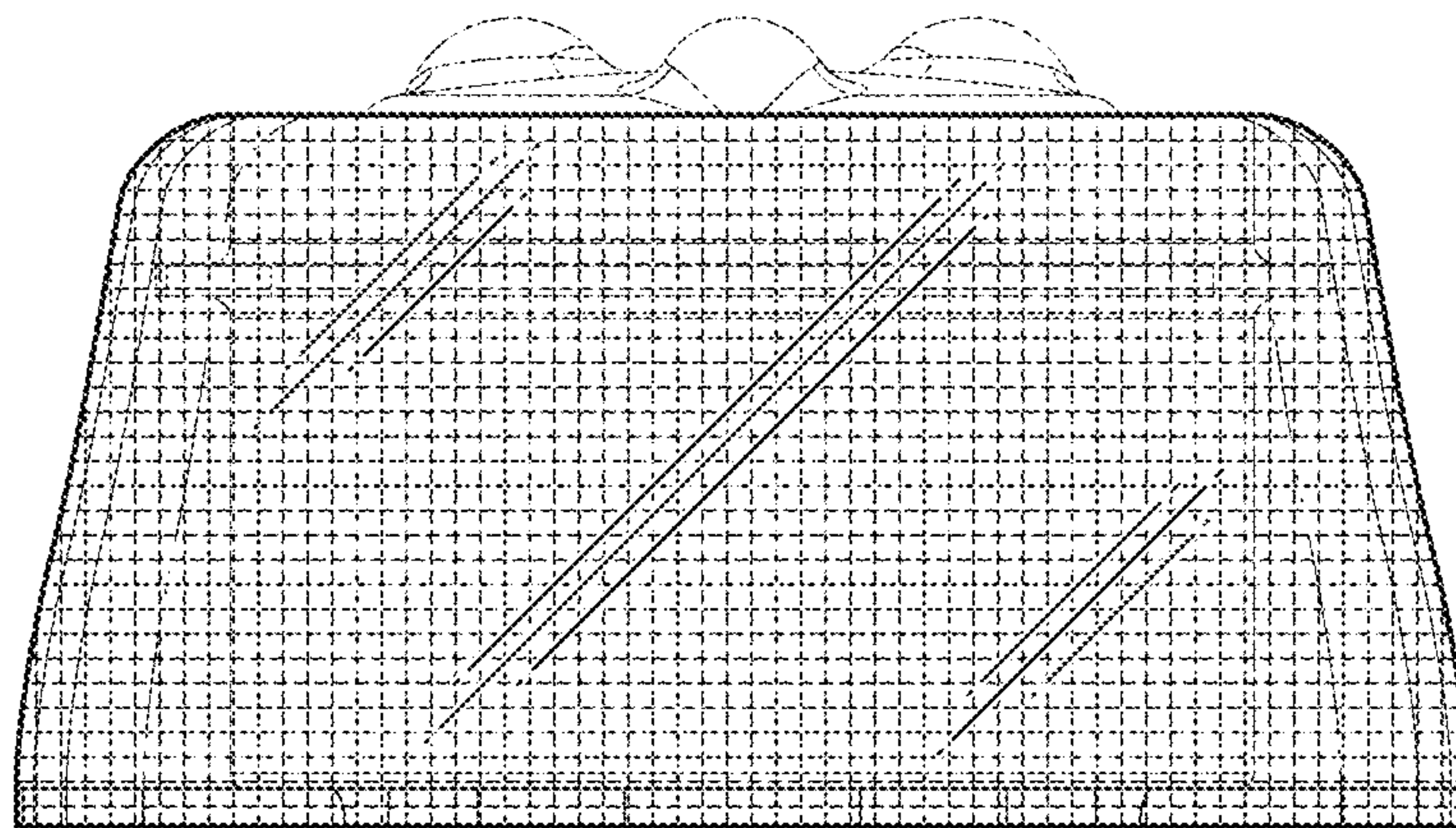


FIG. 30

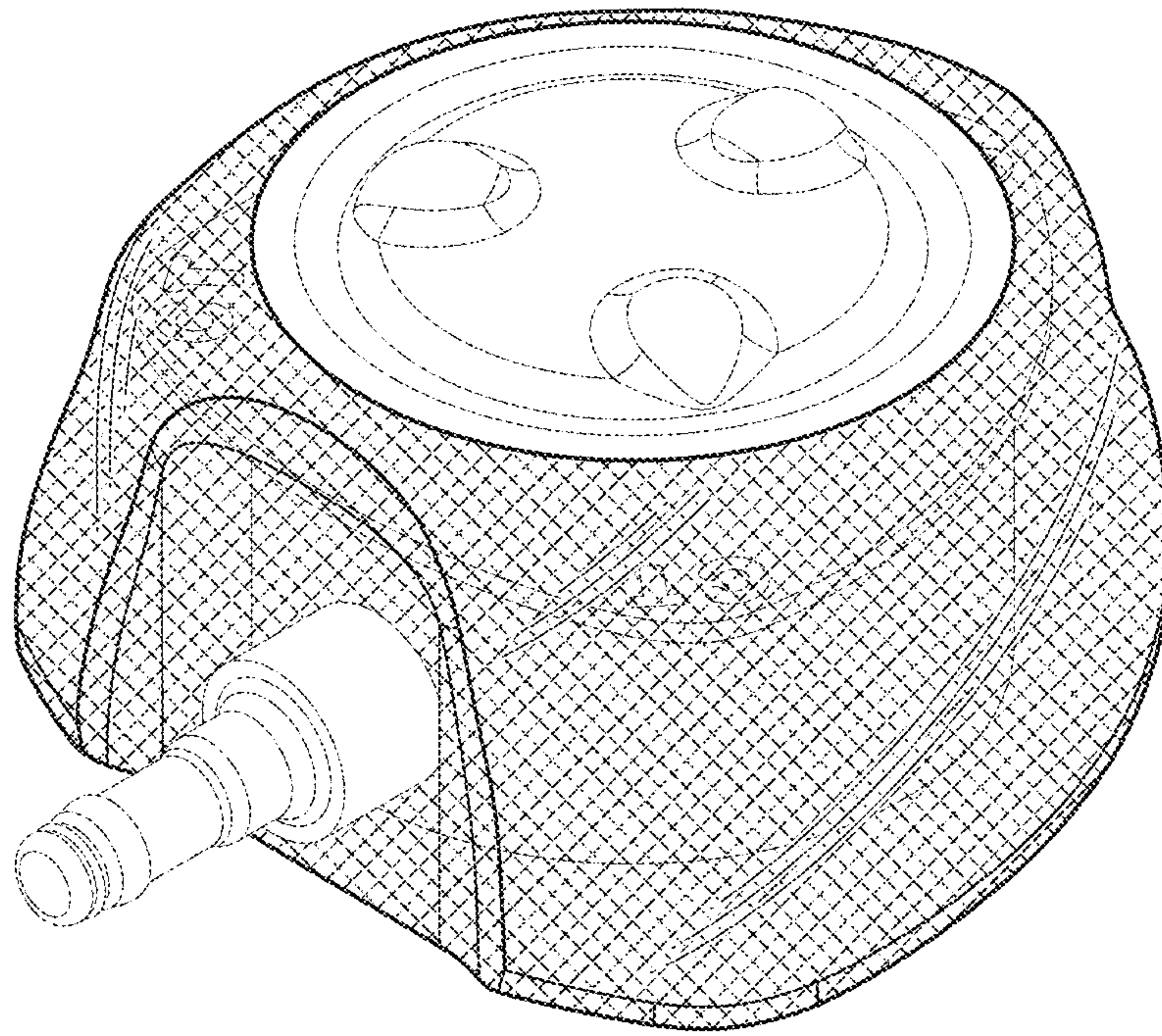


FIG. 31

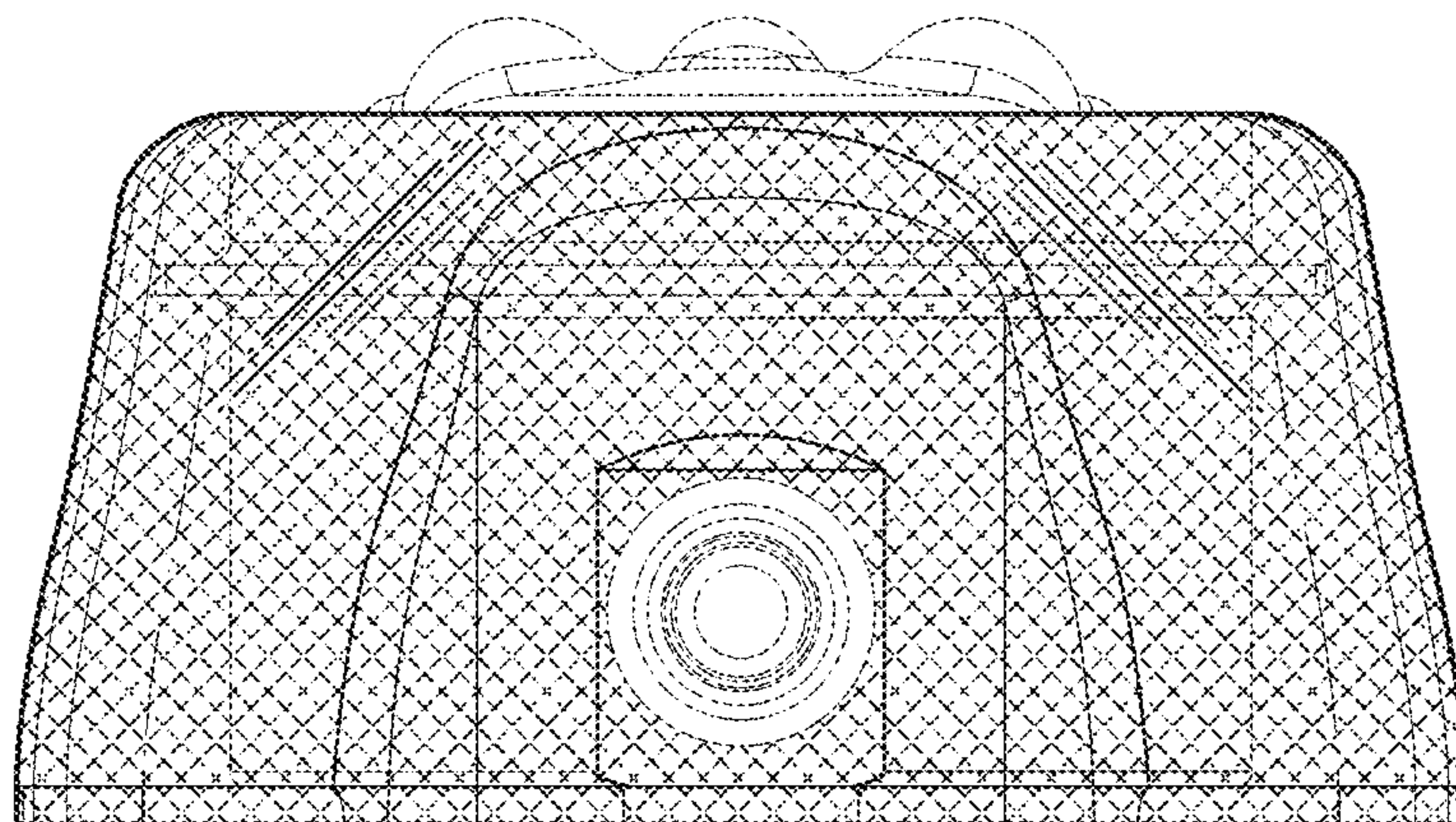


FIG. 32

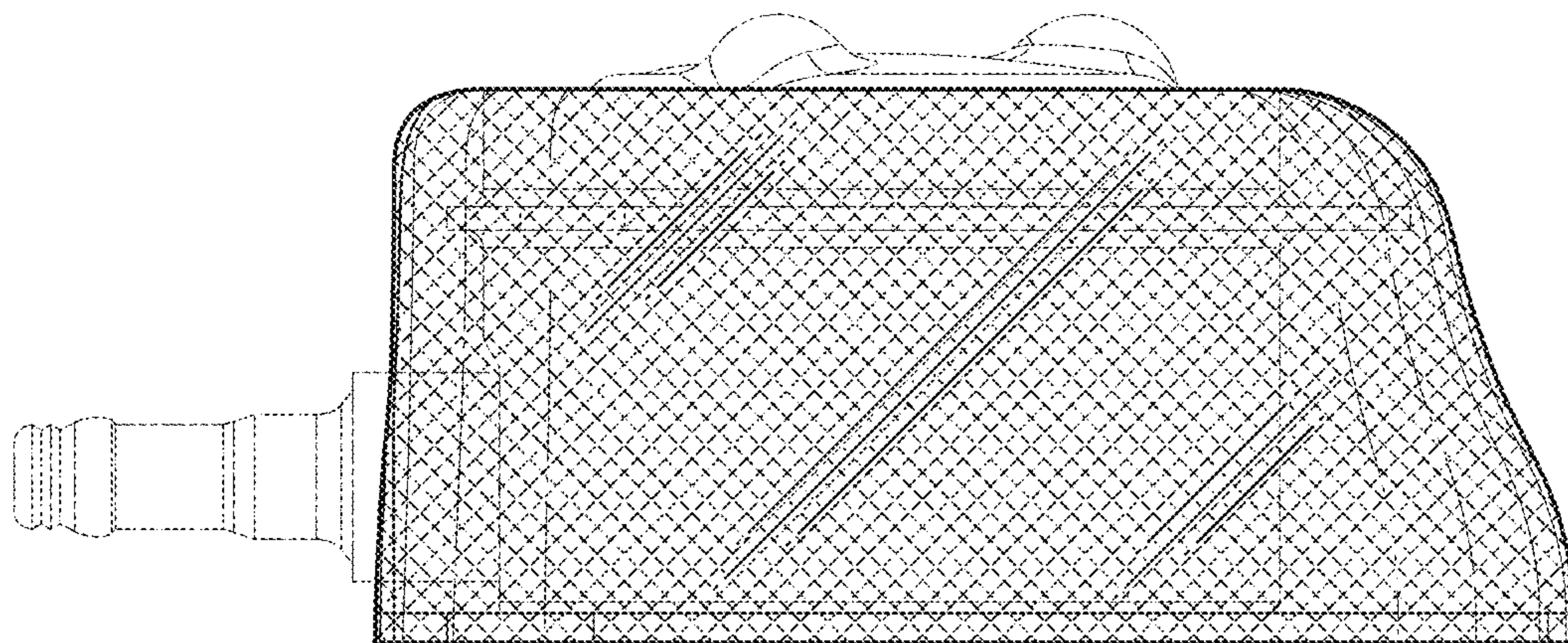


FIG. 33

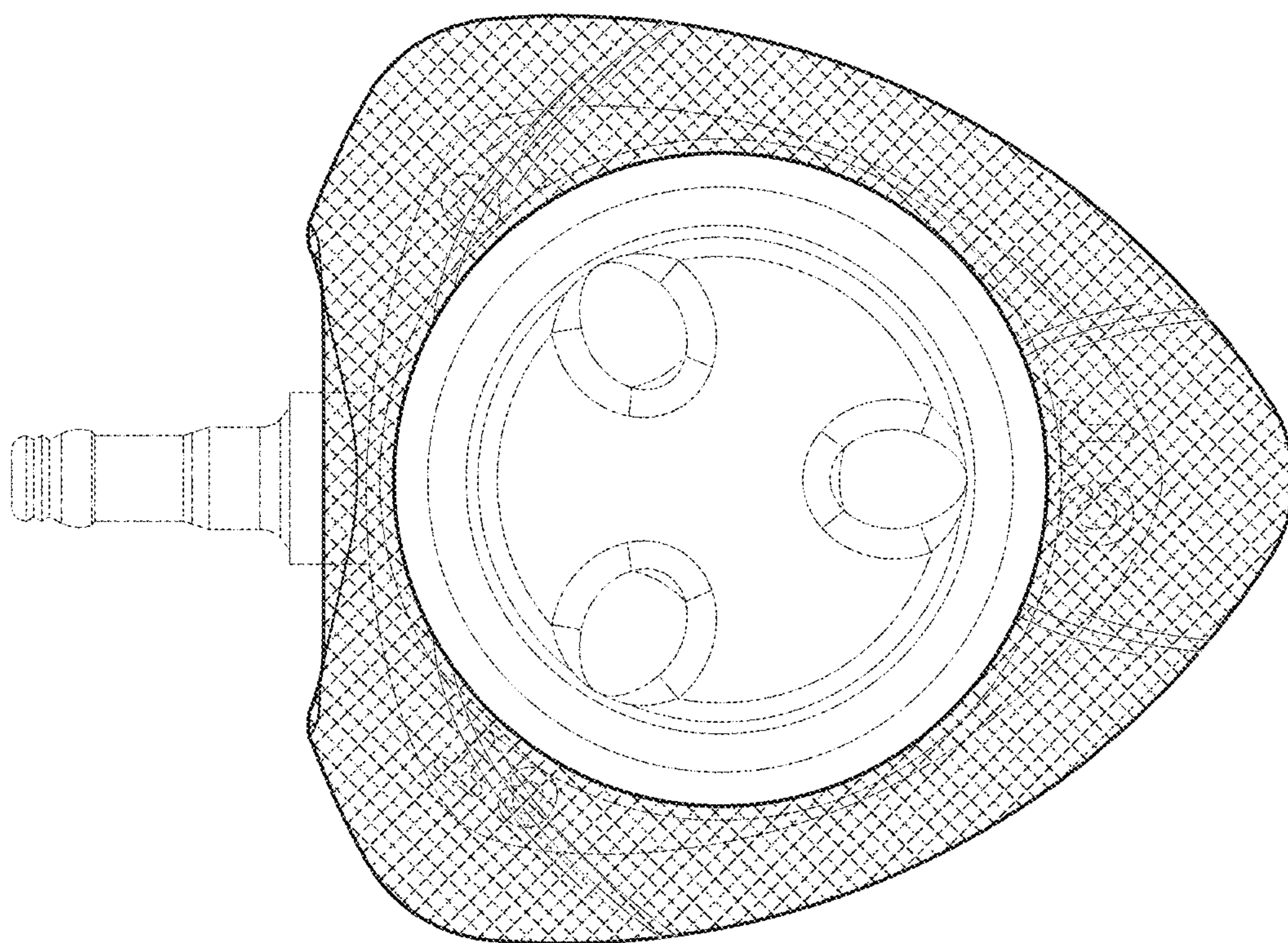


FIG. 34

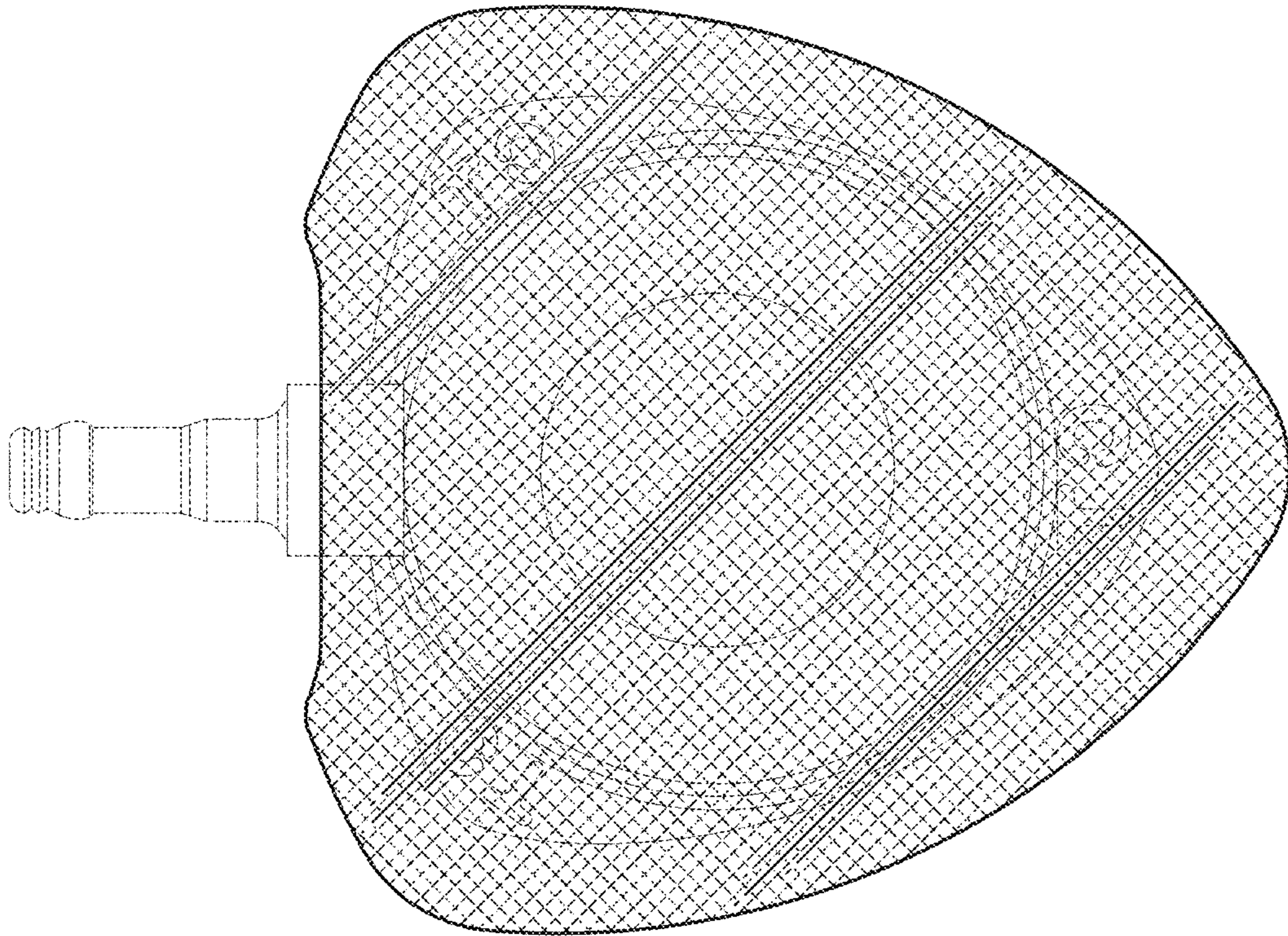


FIG. 35

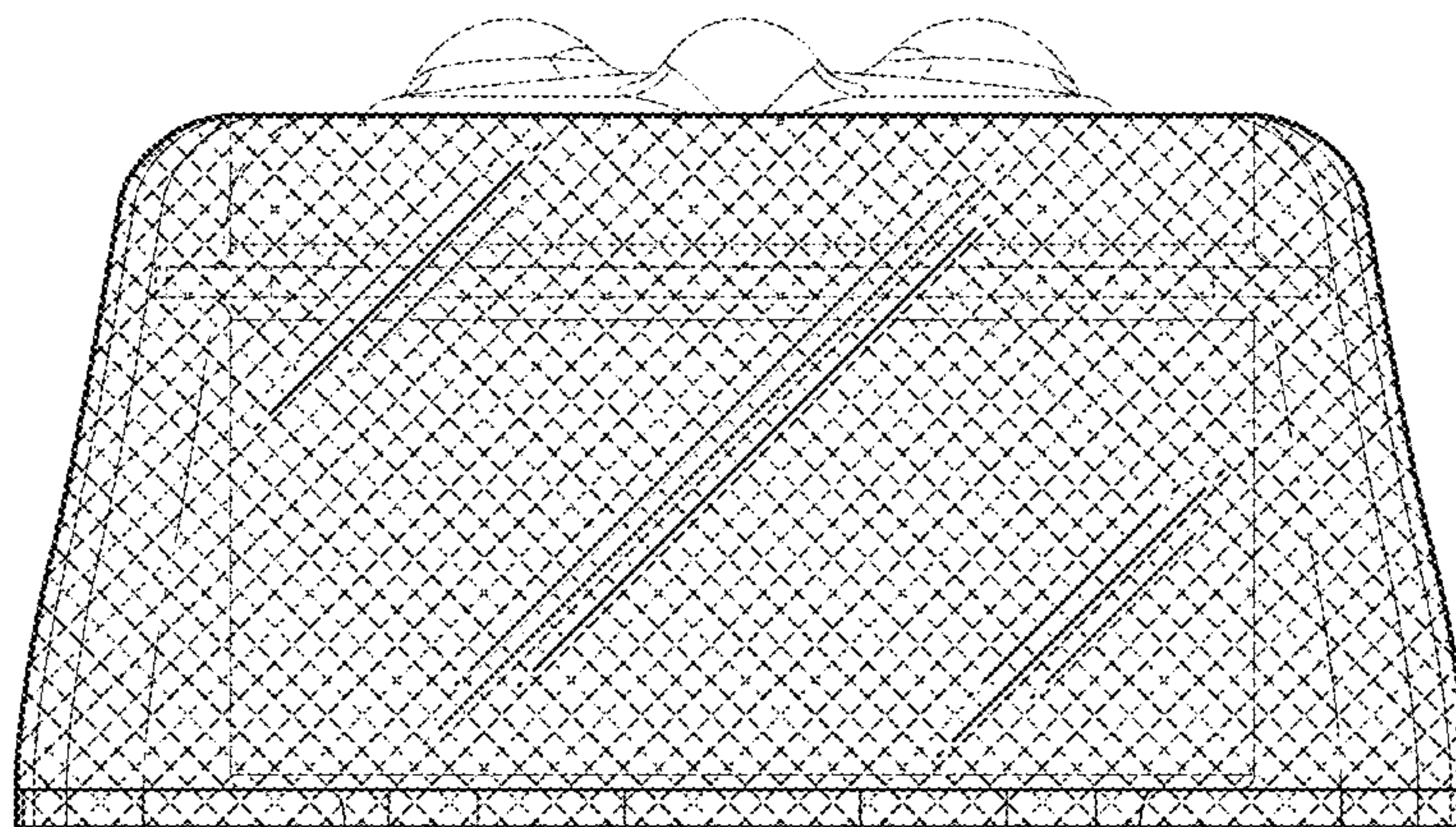


FIG. 36