



US00D682415S

(12) **United States Design Patent**
Mogensen et al.

(10) **Patent No.:** **US D682,415 S**

(45) **Date of Patent:** **** May 14, 2013**

(54) **MEDICAL DEVICE**

(75) Inventors: **Lasse W. Mogensen**, Søborg (DK);
Magnus W. Göransson, Malmö (SE)

(73) Assignee: **Unomedical A/S**, Birkerød (DK)

(**) Term: **14 Years**

(21) Appl. No.: **29/364,506**

(22) Filed: **Jun. 24, 2010**

2,839,060 A 6/1958 Ormo
2,936,141 A 5/1960 Rapata
2,952,420 A 9/1960 Von Hoorn

(Continued)

FOREIGN PATENT DOCUMENTS

DE 893 296 12/1953
DE 1 053541 3/1959

(Continued)

OTHER PUBLICATIONS

International Search Report from DK 200401914 dated Sep. 5, 2005.

(Continued)

Related U.S. Application Data

(60) Division of application No. 29/305,463, filed on Mar. 20, 2008, which is a continuation-in-part of application No. 11/298,259, filed on Dec. 9, 2005.

(51) **LOC (9) Cl.** **24-01**

(52) **U.S. Cl.**

USPC **D24/108**

(58) **Field of Classification Search** D24/108,
D24/129, 130, 133, 112, 146, 111; 604/164.08,
604/263, 93.01, 174; 206/0.5, 370

See application file for complete search history.

(56) **References Cited**

U.S. PATENT DOCUMENTS

643,544 A 2/1900 Simmons
1,838,825 A 1/1929 Goldstein
1,991,103 A 2/1935 King
2,047,010 A 7/1936 Dickinson
2,295,849 A 9/1942 Kayden
2,319,731 A 5/1943 Garrett
2,533,731 A 12/1950 Gomberg
2,630,803 A 3/1953 Baran
2,690,529 A 9/1954 Lindblad
2,730,099 A 1/1956 Sullivan

Primary Examiner — Rashida Johnson

(74) *Attorney, Agent, or Firm* — Brinks Hofer Gilson & Lione

(57) **CLAIM**

We claim the ornamental design for a medical device, as shown and described.

DESCRIPTION

FIG. 1 is a perspective view of a first embodiment of a medical device;

FIG. 2 is a top plan view thereof;

FIG. 3 is a left side elevation view thereof;

FIG. 4 is a right side elevation view thereof;

FIG. 5 is a rear side view thereof;

FIG. 6 is an alternative perspective view thereof;

FIG. 7 is a perspective view of a second embodiment of a medical device;

FIG. 8 is a top plan view thereof;

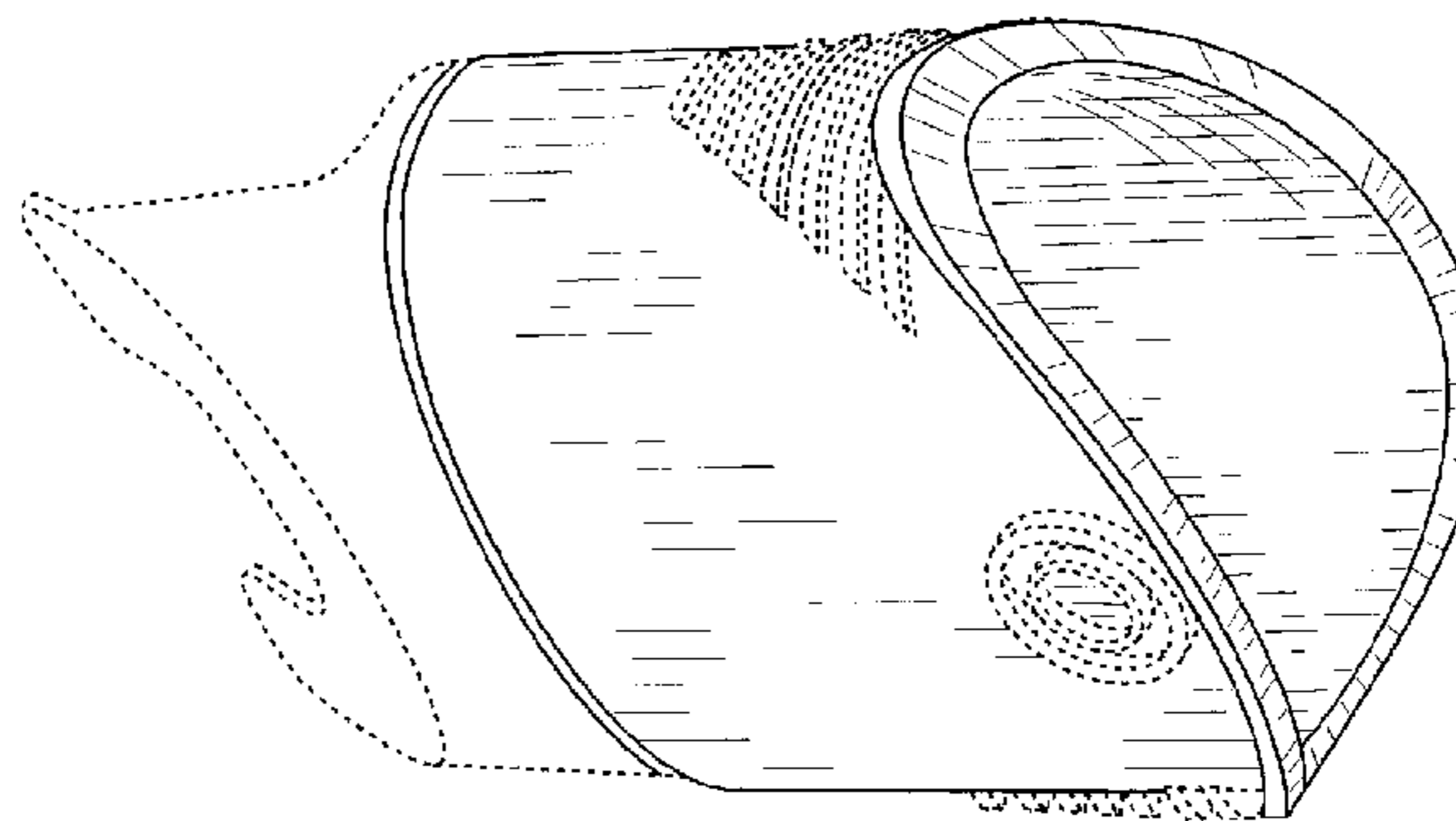
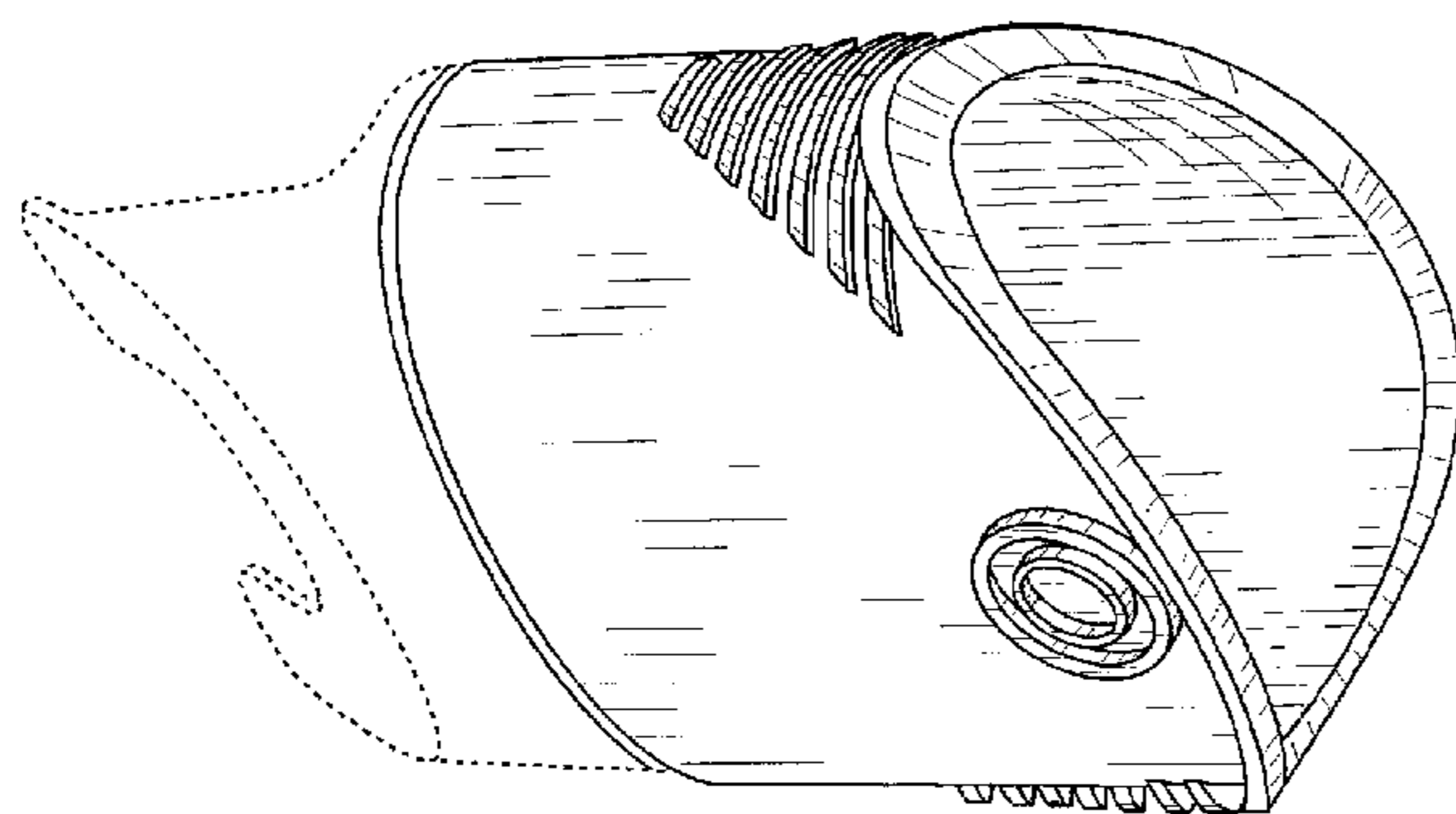
FIG. 9 is a left side elevation view thereof;

FIG. 10 is a right side elevation view thereof; and

FIG. 11 is a rear side view thereof; and,

FIG. 12 is an alternative perspective view thereof.

1 Claim, 6 Drawing Sheets



US D682,415 S

U.S. PATENT DOCUMENTS						
3,055,361	A	9/1962	Ballard	5,098,389 A	3/1992	Cappucci
3,107,785	A	10/1963	Roehr	5,112,313 A	5/1992	Sallee
3,074,541	A	11/1963	Roehr	5,116,319 A	5/1992	Van den Haak
3,154,080	A	10/1964	Rowan et al.	5,116,324 A	5/1992	Brierley et al.
3,317,166	A	5/1967	Janssen	5,116,325 A	5/1992	Paterson
3,545,286	A	12/1970	Stenstrom	5,121,751 A	6/1992	Panalletta
3,610,240	A	10/1971	Harautuneian	5,134,593 A	7/1992	Logan et al.
3,648,999	A	3/1972	Bauer	5,134,594 A	7/1992	Woo
3,783,996	A	1/1974	Gerard et al.	5,137,524 A	8/1992	Lynn et al.
3,814,097	A	6/1974	Ganderton et al.	5,141,496 A	8/1992	Dalto et al.
3,831,729	A	8/1974	Howard	5,147,319 A	9/1992	Ishikawa et al.
3,840,011	A	10/1974	Wright	5,147,375 A	9/1992	Sullivan et al.
3,865,236	A	2/1975	Rycroft	5,161,681 A	11/1992	Kemp et al.
3,937,219	A	2/1976	Karakashian	5,163,915 A	11/1992	Holleron
3,942,528	A	3/1976	Loeser	5,176,662 A	1/1993	Bartholomew et al.
3,986,508	A	10/1976	Barrington	5,188,314 A	2/1993	Peters
4,014,328	A	3/1977	Cluff et al.	5,188,611 A	2/1993	Orgain
4,022,205	A	5/1977	Tenczar	RE34,223 E	4/1993	Bonaldo
4,146,113	A	3/1979	Gavel	5,222,947 A	6/1993	D'Amico
4,150,798	A	4/1979	Aragon	5,232,454 A	8/1993	Hollister
4,188,950	A	2/1980	Wardlaw	5,236,143 A	8/1993	Dragon
4,201,406	A	5/1980	Dennehey et al.	5,240,199 A	8/1993	Peters
4,227,528	A	10/1980	Wardlaw	5,248,301 A	9/1993	Koenig et al.
4,267,836	A	5/1981	Whitney et al.	5,256,149 A	10/1993	Banik et al.
4,306,705	A	12/1981	Svenson	5,256,152 A	10/1993	Marks
4,315,505	A	2/1982	Crandall et al.	5,257,980 A	11/1993	Van Antwerp et al.
4,333,455	A	6/1982	Bodicky	5,265,822 A	11/1993	Shober, Jr. et al.
4,334,551	A	6/1982	Pfister	5,269,799 A	12/1993	Daniel
D267,199	S	12/1982	Koenig	5,279,579 A	1/1994	D'Amico
4,365,630	A	12/1982	McFarlane	5,279,591 A	1/1994	Simon
4,400,861	A	8/1983	Parker	5,282,793 A	2/1994	Larson
4,406,042	A	9/1983	McPhee	5,300,030 A	4/1994	Crossman et al.
4,458,344	A	7/1984	Coogler	5,312,359 A	5/1994	Wallace
4,472,024	A	9/1984	Konomura et al.	5,312,369 A	5/1994	Arcusin et al.
4,473,369	A	9/1984	Lueders et al.	5,316,246 A	5/1994	Scott et al.
4,500,312	A	2/1985	McFarlane	5,324,302 A	6/1994	Crouse
4,517,971	A	5/1985	Sorbonned	5,342,319 A	8/1994	Watson et al.
4,530,695	A	7/1985	Phillips et al.	5,342,324 A	8/1994	Tucker
4,531,686	A	7/1985	Shaw	5,343,637 A	9/1994	Schindler
4,576,846	A	3/1986	Noel	5,350,392 A	9/1994	Purcell et al.
4,606,735	A	8/1986	Wilder et al.	5,354,280 A	10/1994	Haber et al.
4,610,469	A	9/1986	Wolff-Mooij	5,366,469 A	11/1994	Steg et al.
4,616,790	A	10/1986	Beltran	5,372,592 A	12/1994	Gambale
4,619,349	A	10/1986	Braun	5,376,082 A	12/1994	Phelps
4,635,683	A	1/1987	Nielsen	5,380,067 A	1/1995	Turvill et al.
4,637,404	A	1/1987	Gessman	5,384,174 A	1/1995	Ward et al.
4,662,873	A	5/1987	Lash et al.	5,387,197 A	2/1995	Smith et al.
4,682,702	A	7/1987	Gach	5,388,931 A	2/1995	Carlson
4,713,059	A	12/1987	Bickelhaupt et al.	5,390,669 A	2/1995	Stuart et al.
4,734,092	A	3/1988	Millerd	5,391,151 A	2/1995	Wilmot
4,755,173	A	7/1988	Konopka et al.	5,403,288 A	4/1995	Stanners
4,758,020	A	7/1988	Boyd	5,405,332 A	4/1995	Opalek
D298,171	S	* 10/1988	McFarlane D24/112	5,429,607 A	7/1995	McPhee
4,800,629	A	1/1989	Ikeda	5,429,613 A	7/1995	D'Amico
4,802,638	A	2/1989	Burger et al.	5,433,307 A	7/1995	Jeppe
4,817,603	A	4/1989	Turner et al.	D362,718 S	9/1995	Deily et al.
RE32,922	E	5/1989	Levin et al.	5,449,349 A	9/1995	Sallee et al.
4,838,871	A	6/1989	Luther	5,487,506 A	1/1996	Drummond et al.
4,840,613	A	6/1989	Balbierz	5,490,841 A	2/1996	Landis
4,850,974	A	7/1989	Bickelhaupt et al.	5,492,313 A	2/1996	Pan et al.
4,878,897	A	11/1989	Katzin	5,505,709 A	4/1996	Funderburk et al.
4,890,608	A	1/1990	Steer	5,507,730 A	4/1996	Haber et al.
4,895,570	A	1/1990	Larkin	5,519,167 A	5/1996	Kunimoto et al.
D306,500	S	3/1990	Brahler	5,520,654 A	5/1996	Wahlberg
4,913,369	A	4/1990	Lia et al.	5,522,803 A	6/1996	Teisson-Simony
4,917,669	A	4/1990	Bonaldo	5,533,974 A	7/1996	Gaba
4,935,010	A	6/1990	Cox et al.	5,540,709 A	7/1996	Ramel
4,950,163	A	8/1990	Zimble	5,545,143 A	8/1996	Fischell
4,950,252	A	8/1990	Luther et al.	5,545,152 A	8/1996	Funderburk et al.
4,978,338	A	12/1990	Melsky et al.	5,554,130 A	9/1996	McDonald et al.
4,982,842	A	1/1991	Hollister	5,558,650 A	9/1996	McPhee
4,986,817	A	1/1991	Code	5,562,636 A	10/1996	Utterberg
4,994,045	A	2/1991	Ranford	5,584,813 A	12/1996	Livingston et al.
5,011,475	A	4/1991	Olson	5,591,188 A	1/1997	Waisman
5,024,662	A	6/1991	Menes et al.	5,599,309 A	2/1997	Marshall et al.
5,067,496	A	11/1991	Eisele	5,599,315 A	2/1997	McPhee
5,077,872	A	1/1992	Guthammar	5,599,318 A	2/1997	Sweeney et al.
5,083,757	A	1/1992	Barsky	5,628,765 A	5/1997	Morita
				5,643,214 A	7/1997	Marshall

US D682,415 S

5,643,216	A	7/1997	White	6,520,938	B1	2/2003	Funderburk et al.
5,643,220	A	7/1997	Cosme	D472,316	S	3/2003	Douglas et al.
5,662,617	A	9/1997	Odell et al.	D472,630	S	4/2003	Douglas et al.
5,665,071	A	9/1997	Wyrick	6,572,586	B1	6/2003	Wojcik
5,665,075	A	9/1997	Gyure et al.	6,579,267	B2	6/2003	Lynch et al.
5,681,323	A	10/1997	Arick	6,582,397	B2	6/2003	Alesi et al.
5,695,476	A	12/1997	Harris	6,595,962	B1	7/2003	Perthu
5,704,920	A	1/1998	Gyure	6,607,509	B2	8/2003	Bobroff et al.
5,709,516	A	1/1998	Peterson et al.	6,607,511	B2	8/2003	Halseth et al.
5,714,225	A	2/1998	Hansen et al.	6,629,949	B1	10/2003	Douglas
5,741,288	A	4/1998	Rife	6,645,182	B1	11/2003	Szabo
5,752,923	A	5/1998	Terwilliger	6,659,982	B2	12/2003	Douglas et al.
5,810,835	A	9/1998	Ryan et al.	6,685,674	B2	2/2004	Douglas et al.
5,820,598	A	10/1998	Gazza et al.	6,702,779	B2	3/2004	Connelly et al.
5,827,236	A	10/1998	Takahashi	6,726,649	B2	4/2004	Swenson et al.
D402,538	S	12/1998	Wagter et al.	6,736,797	B1	5/2004	Larsen et al.
5,843,001	A	12/1998	Goldenberg	6,749,589	B1	6/2004	Douglas et al.
5,851,197	A	12/1998	Marano et al.	6,790,199	B1	9/2004	Gianakos
5,858,001	A	1/1999	Tsals et al.	6,805,686	B1	10/2004	Fathallah et al.
5,865,806	A	2/1999	Howell	6,811,545	B2	11/2004	Vaillancourt
5,873,540	A	2/1999	Hardin	6,814,720	B2	11/2004	Olsen et al.
5,899,886	A	5/1999	Cosme	6,824,530	B2	11/2004	Wagner et al.
5,911,705	A	6/1999	Howell	6,824,531	B1	11/2004	Zecha, Jr. et al.
5,913,846	A	6/1999	Szabo	6,830,562	B2	12/2004	Mogensen et al.
5,915,640	A	6/1999	Wagter et al.	6,837,877	B2	1/2005	Zurcher
5,916,199	A	6/1999	Miles	6,840,922	B2	1/2005	Nielsen et al.
5,919,167	A	7/1999	Mulhauser et al.	6,880,701	B2	4/2005	Bergeron et al.
5,925,032	A	7/1999	Clements	6,916,017	B2	7/2005	Noe
5,947,935	A	9/1999	Rhinehart et al.	6,923,791	B2	8/2005	Douglas
5,951,523	A	9/1999	Osterlind et al.	6,926,694	B2	8/2005	Marano-Ford et al.
5,954,643	A	9/1999	VanAntwerp et al.	6,939,331	B2	9/2005	Ohshima
5,957,892	A	9/1999	Thorne	6,949,084	B2	9/2005	Marggi et al.
5,968,011	A	10/1999	Larsen et al.	6,960,193	B2	11/2005	Rosenberg
5,975,120	A	11/1999	Novosel	6,991,619	B2	1/2006	Marano-Ford et al.
5,980,488	A	11/1999	Thorne	6,991,620	B2	1/2006	Marano-Ford et al.
5,980,506	A	11/1999	Mathiasen	7,022,108	B2	4/2006	Marano-Ford et al.
5,984,224	A	11/1999	Yang	D579,541	S *	10/2008	Mogensen et al. D24/108
5,984,897	A	11/1999	Peterson et al.	D581,522	S *	11/2008	Randolph et al. D24/111
5,992,787	A	11/1999	Burke	RE40,755	E *	6/2009	McWethy et al. D24/130
D417,733	S	12/1999	Howell et al.	D604,843	S *	11/2009	Braynin et al. D24/133
6,017,328	A	1/2000	Fischell et al.	D605,287	S *	12/2009	Crawford et al. D24/130
D421,119	S	2/2000	Musgrave et al.	D623,738	S *	9/2010	Van der Stappen D24/130
6,024,727	A	2/2000	Thorne et al.	2001/0004970	A1	6/2001	Hollister et al.
6,039,629	A	3/2000	Mitchell	2001/0016714	A1	8/2001	Bell et al.
6,042,570	A	3/2000	Bell et al.	2001/0021827	A1	9/2001	Ferguson et al.
6,045,533	A	4/2000	Kriesel et al.	2001/0039401	A1	11/2001	Ferguson et al.
6,050,976	A	4/2000	Thorne et al.	2001/0041875	A1	11/2001	Higuchi et al.
6,056,718	A	5/2000	Funderburk et al.	2002/0022855	A1	2/2002	Bobraff et al.
6,074,371	A	6/2000	Fischell	2002/0068904	A1	6/2002	Pluth et al.
6,086,008	A	7/2000	Gray et al.	2002/0072720	A1	6/2002	Hague et al.
6,086,575	A	7/2000	Mejslov	2002/0077599	A1	6/2002	Wojcik
6,090,068	A	7/2000	Chanut	2002/0082543	A1	6/2002	Park et al.
6,093,172	A	7/2000	Funderburk et al.	2002/0107489	A1	8/2002	Lee
6,093,179	A	7/2000	O'Hara et al.	2002/0111581	A1	8/2002	Sasso
6,099,503	A	8/2000	Stradella	2002/0145073	A1	10/2002	Swanson
6,105,218	A	8/2000	Reekie	2002/0156424	A1	10/2002	Suzuki et al.
6,120,482	A	9/2000	Szabo	2002/0156427	A1	10/2002	Suzuki et al.
6,123,690	A	9/2000	Mejslov	2002/0161332	A1	10/2002	Ramey
6,132,755	A	10/2000	Eicher et al.	2002/0169419	A1	11/2002	Steg
6,183,464	B1	2/2001	Sharp et al.	2002/0173748	A1	11/2002	McConnell et al.
6,193,694	B1	2/2001	Bell et al.	2002/0183688	A1	12/2002	Lastovich et al.
D439,974	S *	4/2001	Wilkinson et al. D24/130	2002/0189688	A1	12/2002	Roorda
6,219,574	B1	4/2001	Cormier et al.	2002/0193737	A1	12/2002	Popovsky
6,221,058	B1	4/2001	Kao et al.	2002/0193744	A1	12/2002	Alesi et al.
6,248,093	B1	6/2001	Moberg	2003/0060781	A1	3/2003	Mogensen et al.
6,293,925	B1	9/2001	Safabash et al.	2003/0069548	A1	4/2003	Connelly et al.
6,302,866	B1	10/2001	Marggi	2003/0105430	A1	6/2003	Lavi et al.
1,923,281	A1	11/2001	Kashmer	2003/0109829	A1	6/2003	Mogensen et al.
6,322,535	B1	11/2001	Hitchins et al.	2003/0125669	A1	7/2003	Safabash et al.
6,322,808	B1	11/2001	Trautman et al.	2003/0125678	A1	7/2003	Swenson et al.
6,334,856	B1	1/2002	Allen et al.	2003/0130619	A1	7/2003	Safabash et al.
6,355,021	B1	3/2002	Nielsen et al.	2003/0139704	A1	7/2003	Lin
6,379,335	B1	4/2002	Rigon et al.	2003/0158520	A1	8/2003	Safabash et al.
D456,692	S	5/2002	Epstein	2003/0176843	A1	9/2003	Wilkinson
6,387,076	B1	5/2002	Van Landuyt	2003/0181863	A1	9/2003	Davis et al.
6,387,078	B1	5/2002	Gillespie, III	2003/0181868	A1	9/2003	Swenson
6,405,876	B1	6/2002	Seshimoto et al.	2003/0181873	A1	9/2003	Swenson
6,488,663	B1	12/2002	Steg	2003/0181874	A1	9/2003	Bressler et al.
6,517,517	B1	2/2003	Farrugia et al.	2003/0187394	A1	10/2003	Wilkinson et al.

US D682,415 S

Page 4

2003/0187395	A1	10/2003	Wilkinson et al.	EP	714631 81	6/1996
2003/0199823	A1	10/2003	Bobroff et al.	EP	744 183 A2	11/1996
2003/0216686	A1	11/2003	Lynch et al.	EP	0 747 006 A1	12/1996
2003/0225373	A1	12/2003	Bobroff et al.	EP	0 688 232 B1	12/1998
2003/0225374	A1	12/2003	Mathiasen	EP	0 884 108 A1	12/1998
2003/0229308	A1	12/2003	Tsals et al.	EP	0 916 361 A1	5/1999
2003/0229316	A1	12/2003	Hwang et al.	EP	0 931 560 A1	7/1999
2004/0002682	A1	1/2004	Kovelman et al.	EP	0956879 A1	11/1999
2004/0006316	A1	1/2004	Patton	EP	1 045 145 A1	10/2000
2004/0026840	A1	2/2004	Eckel et al.	EP	1 060 757 A1	12/2000
2004/0044306	A1	3/2004	Lynch et al.	EP	1 086 718 A	3/2001
2004/0049159	A1	3/2004	Barrus et al.	EP	1 125593 A1	8/2001
2004/0068231	A1	4/2004	Blondeau	EP	1 167765 A2	1/2002
2004/0087913	A1	5/2004	Rogers et al.	EP	0 775 501	6/2002
2004/0111068	A1	6/2004	Swenson	EP	0 894 216 B1	7/2003
2004/0112781	A1	6/2004	Hofverberg et al.	EP	1 380 315 A1	1/2004
2004/0116865	A1	6/2004	Bengtsson	EP	0 956 879 A1	7/2004
2004/0138612	A1	7/2004	Shermer et al.	FR	576849	8/1924
2004/0138620	A1	7/2004	Douglas et al.	FR	2 611 013	8/1988
2004/0143216	A1	7/2004	Douglas et al.	FR	2725902	10/1994
2004/0143218	A1	7/2004	Das	FR	2733915 A1	11/1996
2004/0158202	A1	8/2004	Jensen	FR	2781617 A1	1/2000
2004/0158207	A1	8/2004	Hunn et al.	GB	478803	1/1938
2004/0162518	A1	8/2004	Connelly et al.	GB	591730	3/1946
2004/0171989	A1	9/2004	Horner et al.	GB	906574	9/1962
2004/0178098	A1	9/2004	Swenson et al.	GB	1 268 575	3/1972
2004/0186446	A1	9/2004	Ohshima	GB	1 403 034	8/1975
2004/0199123	A1	10/2004	Nielsen	GB	2224808 A	5/1990
2004/0204687	A1	10/2004	Mogensen et al.	GB	2 270 552 A	3/1994
2004/0204690	A1	10/2004	Yashiro et al.	JP	5326062 A	12/1993
2004/0220528	A1	11/2004	Garcia, Jr.	JP	7051251	11/1995
2004/0238392	A1	12/2004	Peterson et al.	JP	9217584 A	9/1997
2004/0243065	A1	12/2004	McConnell et al.	JP	2000-59877 A	2/2000
2004/0254433	A1	12/2004	Bandis et al.	JP	200059877 A	2/2000
2004/0260235	A1	12/2004	Douglas	JP	3140740 B2	3/2001
2004/0260250	A1	12/2004	Harris et al.	JP	2002-028246	1/2002
2005/0035014	A1	2/2005	Cane	NL	1017427 C	11/2002
2005/0101912	A1	5/2005	Faust et al.	WO	WO 81/01795 A1	7/1981
2005/0101932	A1	5/2005	Cote et al.	WO	WO 87/06474	11/1987
2005/0101933	A1	5/2005	Marrs et al.	WO	WO 93/03787	3/1993
2005/0107743	A1	5/2005	Fangrow, Jr.	WO	WO 93/05840	4/1993
2005/0113761	A1	5/2005	Faust et al.	WO	WO 94/20160	9/1994
2005/0119637	A1	6/2005	Lundgren et al.	WO	WO 95/28327 A	10/1995
2005/0124936	A1	6/2005	Mogensen et al.	WO	WO 96/35472 A1	11/1996
2005/0131347	A1	6/2005	Marano-Ford et al.	WO	WO 98/09065	3/1998
2005/0159709	A1	7/2005	Wilkinson	WO	WO 98/58693	12/1998
2005/0215979	A1	9/2005	Kornerup et al.	WO	WO 99/07435	2/1999
2005/0251098	A1	11/2005	Wyss et al.	WO	WO 99/33504	7/1999
2005/0277892	A1	12/2005	Chen	WO	WO 99/36009	7/1999
2005/0283114	A1	12/2005	Bresina et al.	WO	WO 99/56802	11/1999
2006/0030815	A1	2/2006	Csincsuru et al.	WO	WO 99/61815	12/1999
2006/0095003	A1	5/2006	Marano-Ford et al.	WO	WO 00/02614	1/2000

FOREIGN PATENT DOCUMENTS

DE	DT 26 20 009	A1	12/1977
DE	28 03 509	A	8/1979
DE	37 15 965	A	1/1988
DE	19631 921		3/1997
DE	29818311	U1	3/1999
DE	19847143	A1	1/2000
DE	101 06 074	A1	9/2000
DE	299 21 406	U1	11/2001
DE	101 06 074	A1	6/2002
DK	37 22893	C1	6/1988
DK	38 23 447		2/1996
DK	196 10 692	A1	9/1997
DK	100 49 001	A1	4/2002
EP	188 014	B1	10/1985
EP	0 239 244	81	2/1987
EP	298521	B1	9/1990
EP	184 231	B1	1/1992
EP	0 475 857		3/1992
EP	544 837	B1	6/1993
EP	0 633 039		7/1994
EP	651 662	B1	5/1995

WO	WO 00/03757		1/2000
WO	WO 00/44324	A1	8/2000
WO	WO 01/04507	A1	1/2001
WO	WO 01/30419	A2	5/2001
WO	WO 01/68180		9/2001
WO	WO 01/81785	A1	11/2001
WO	WO 01/93926	A2	12/2001
WO	WO 02/46080		6/2002
WO	WO 02/066854	A1	8/2002
WO	WO 02/094352		11/2002
WO	WO 02/100457		12/2002
WO	WO 02/068014		1/2003
WO	WO 03/015860	A1	2/2003
WO	WO 03/026728		4/2003
WO	WO 2004/030726	A	4/2004
WO	WO 2004/087240		10/2004
WO	WO 2005/004973		1/2005

OTHER PUBLICATIONS

Office Action mailed Apr. 1, 2010 for U.S. Appl. No. 11/721,263.

* cited by examiner

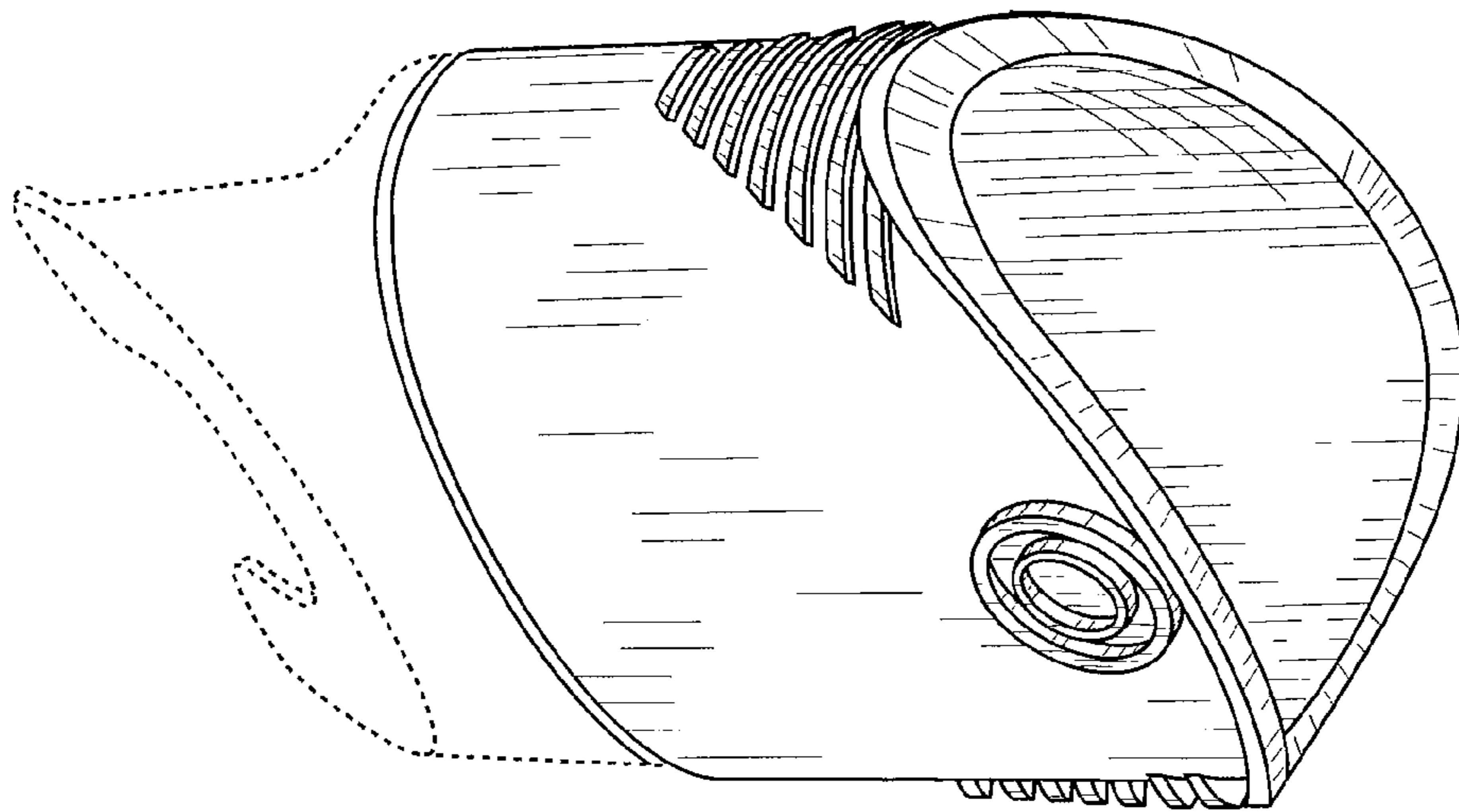


Fig. 1

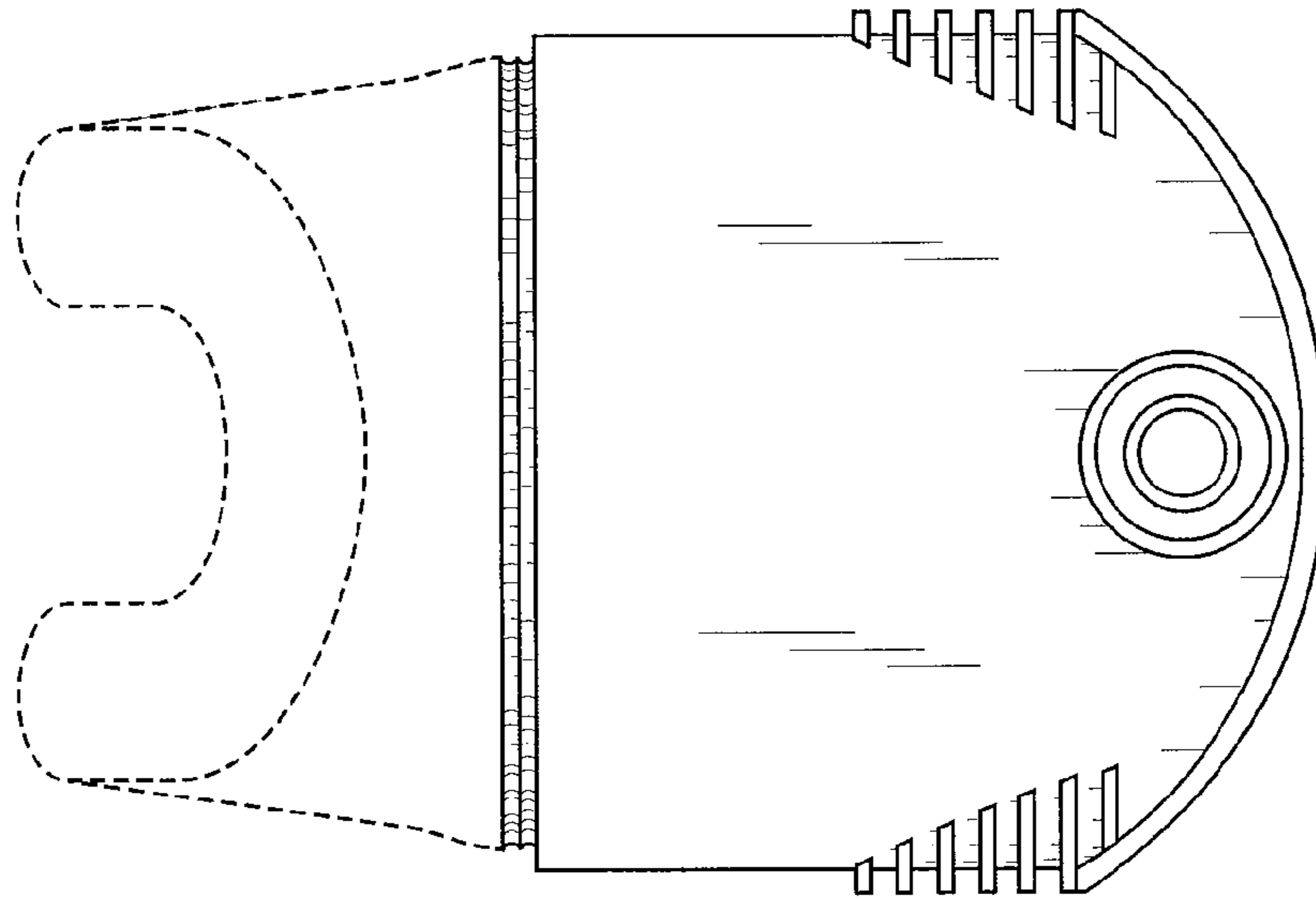


Fig. 2

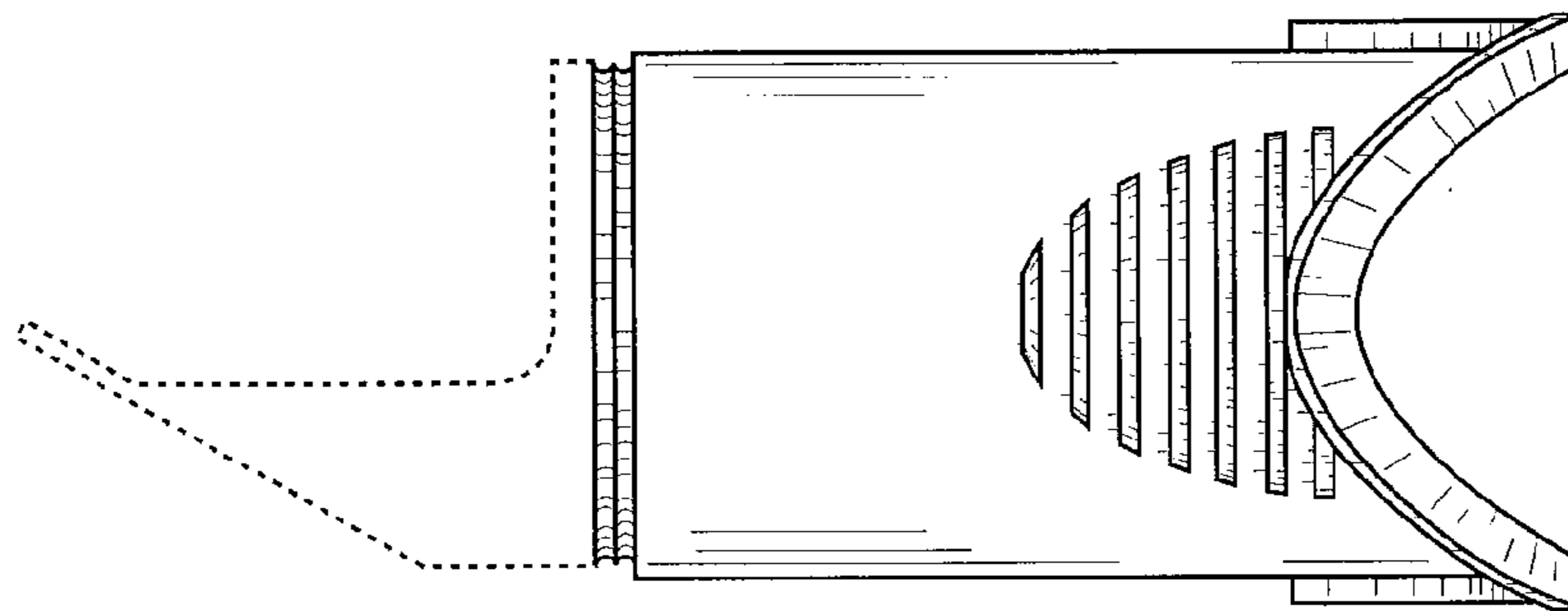


Fig. 3

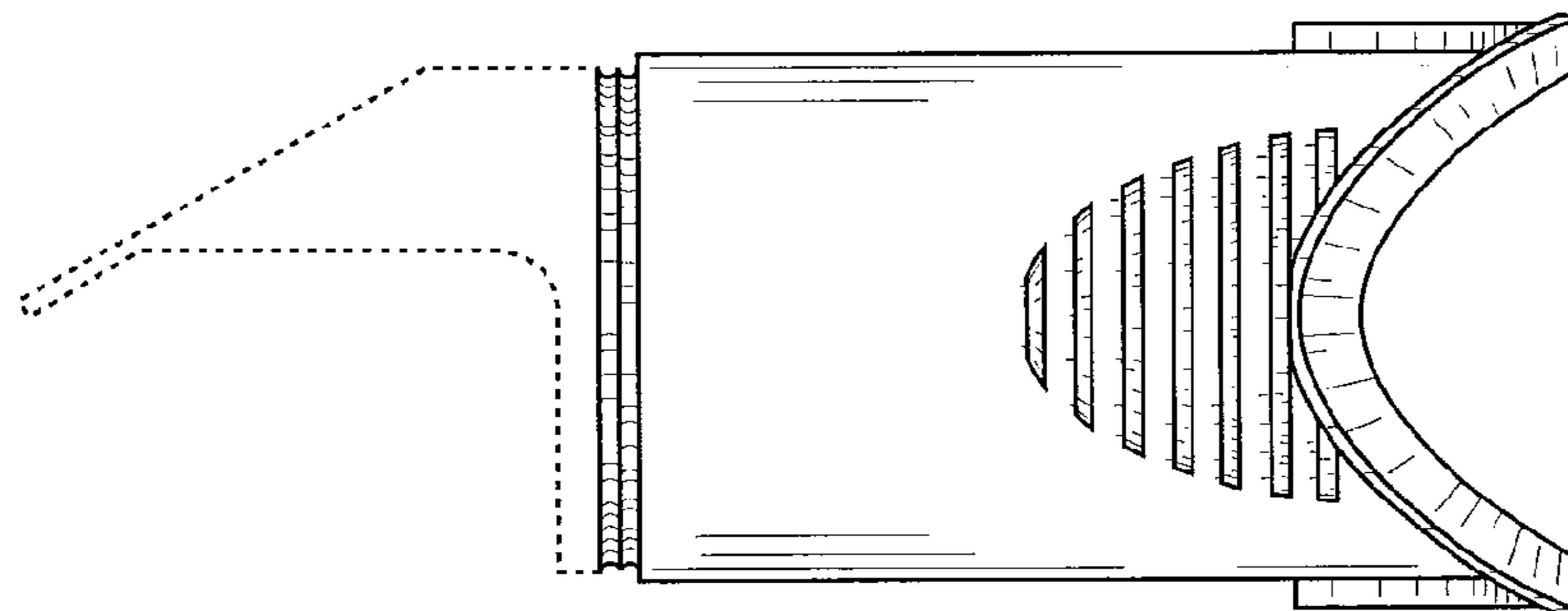


Fig. 4

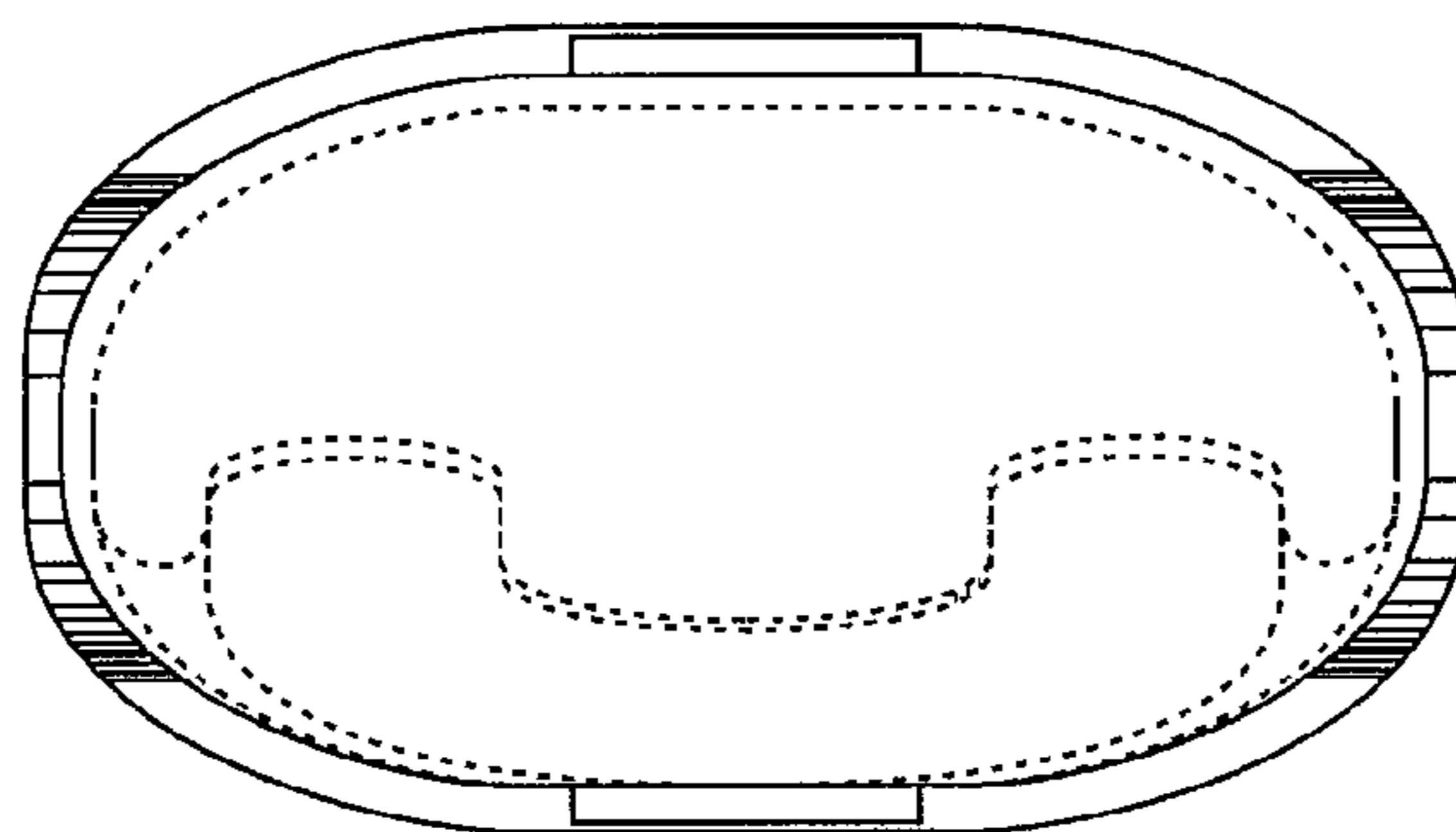


Fig. 5

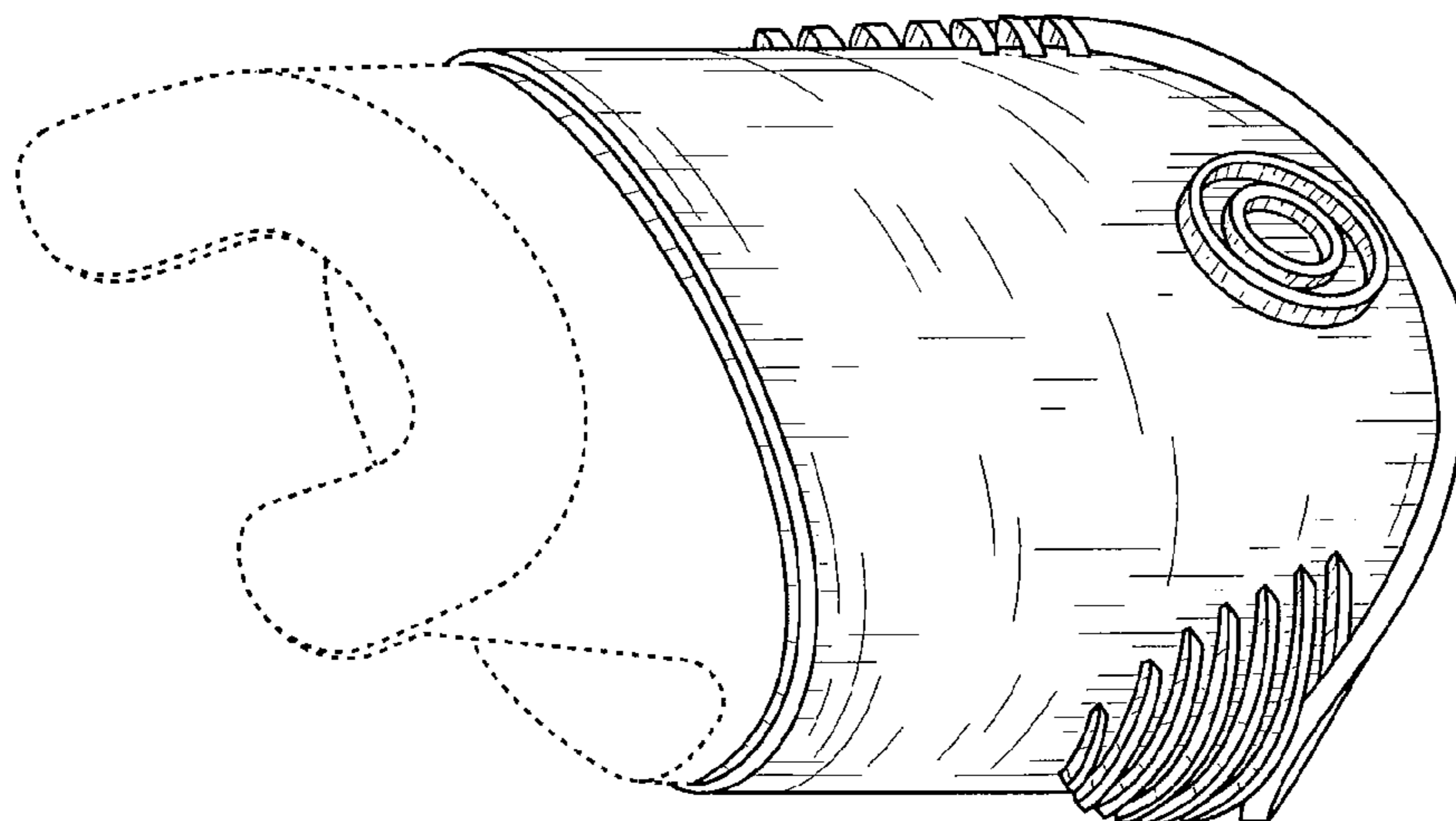


Fig. 6

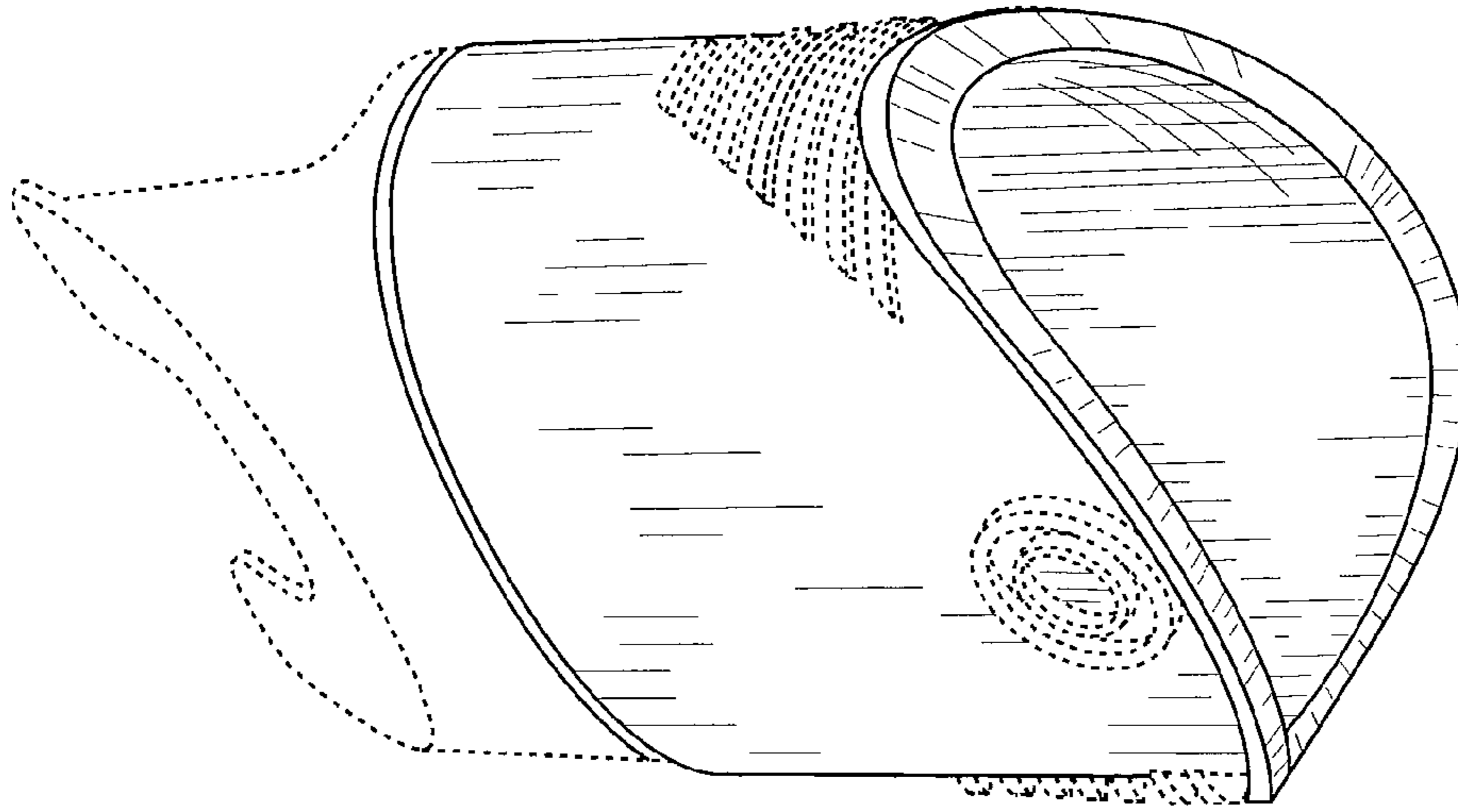


Fig. 7

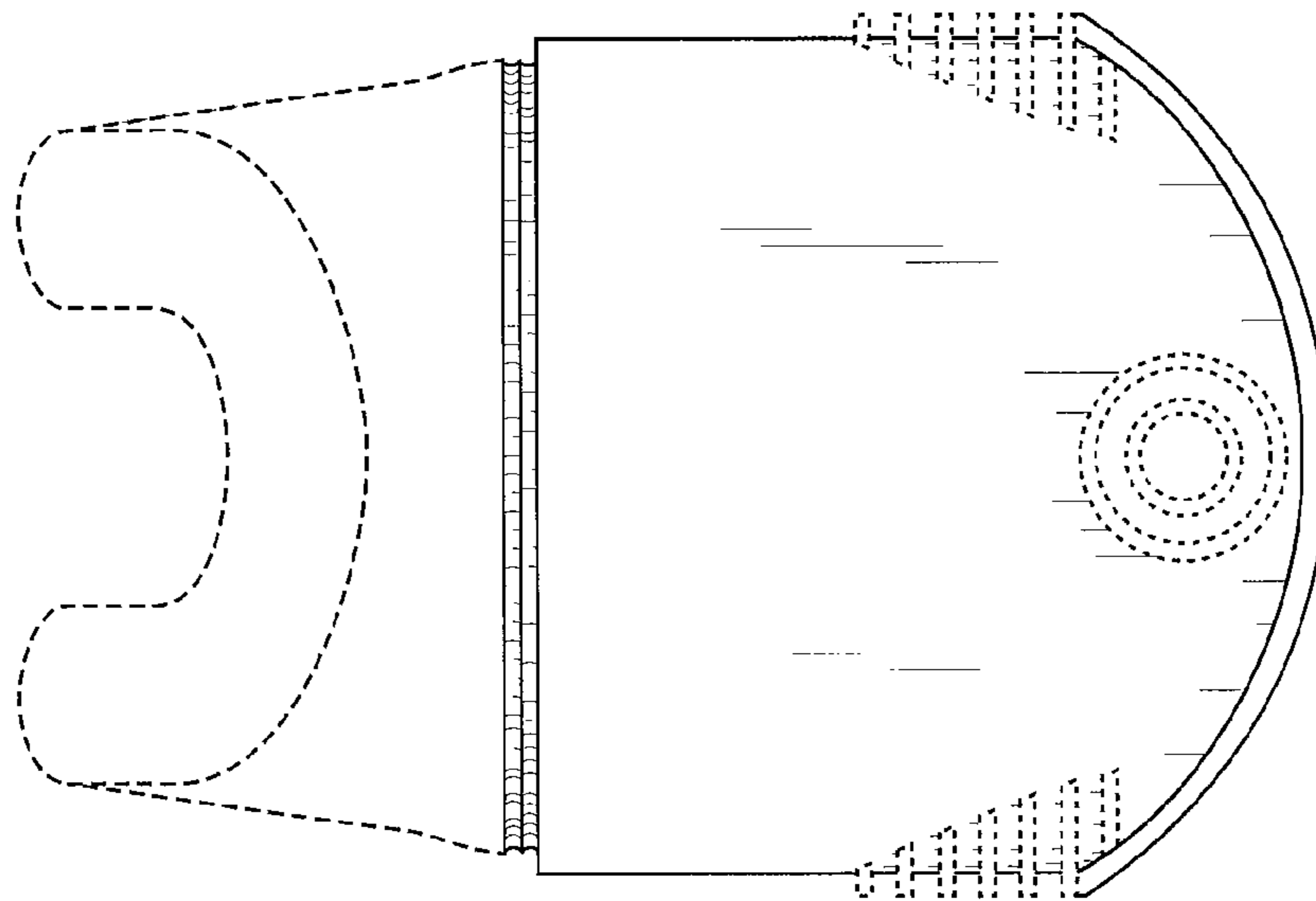


Fig. 8

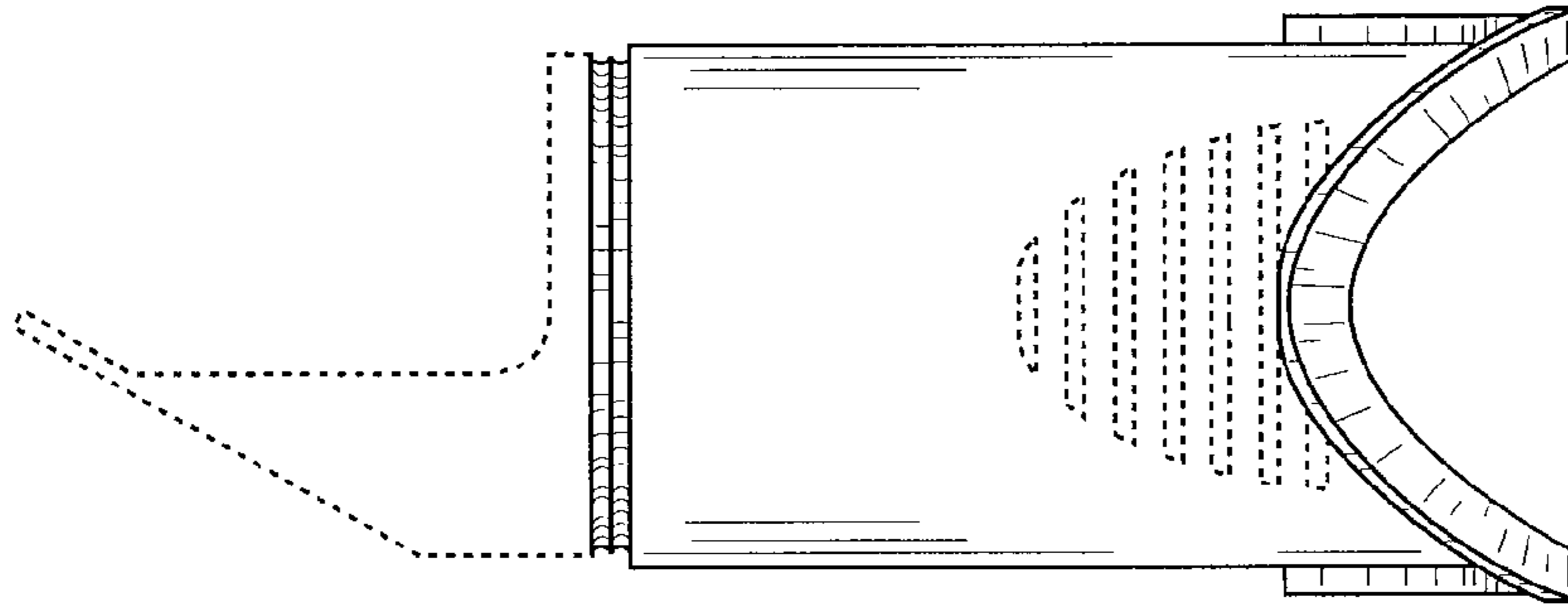


Fig. 9

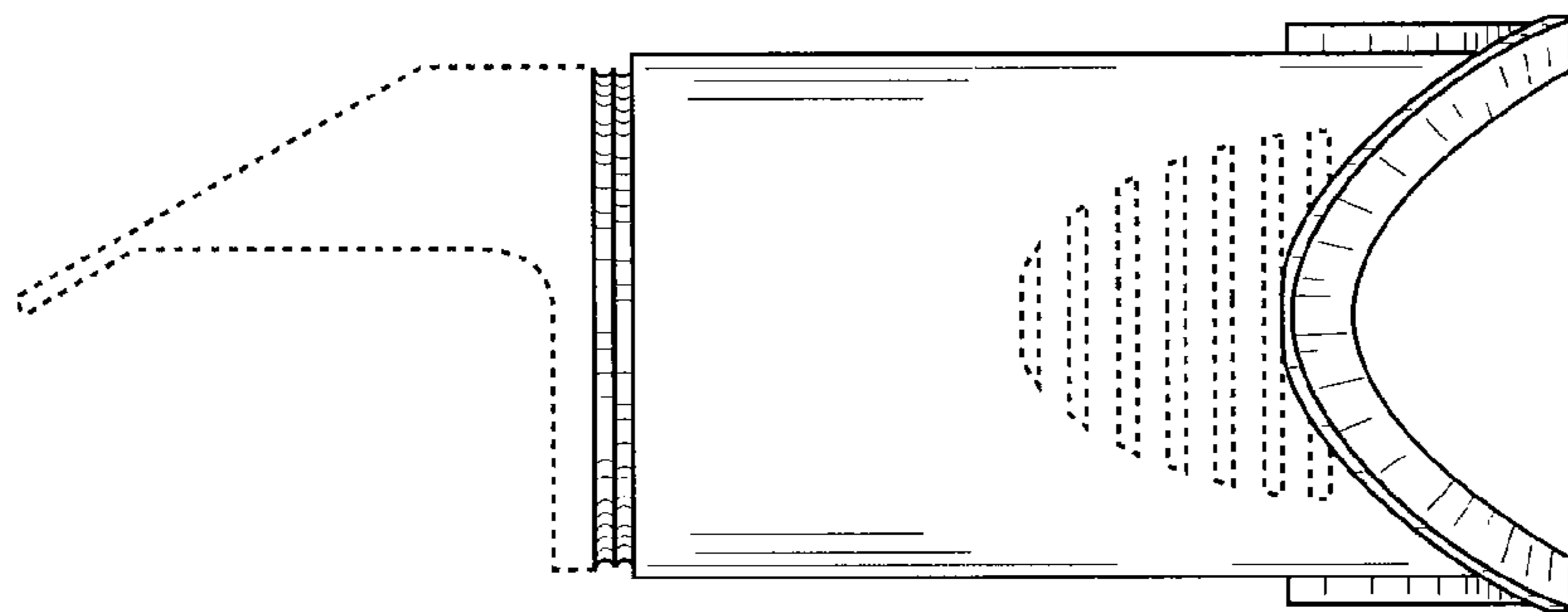


Fig. 10

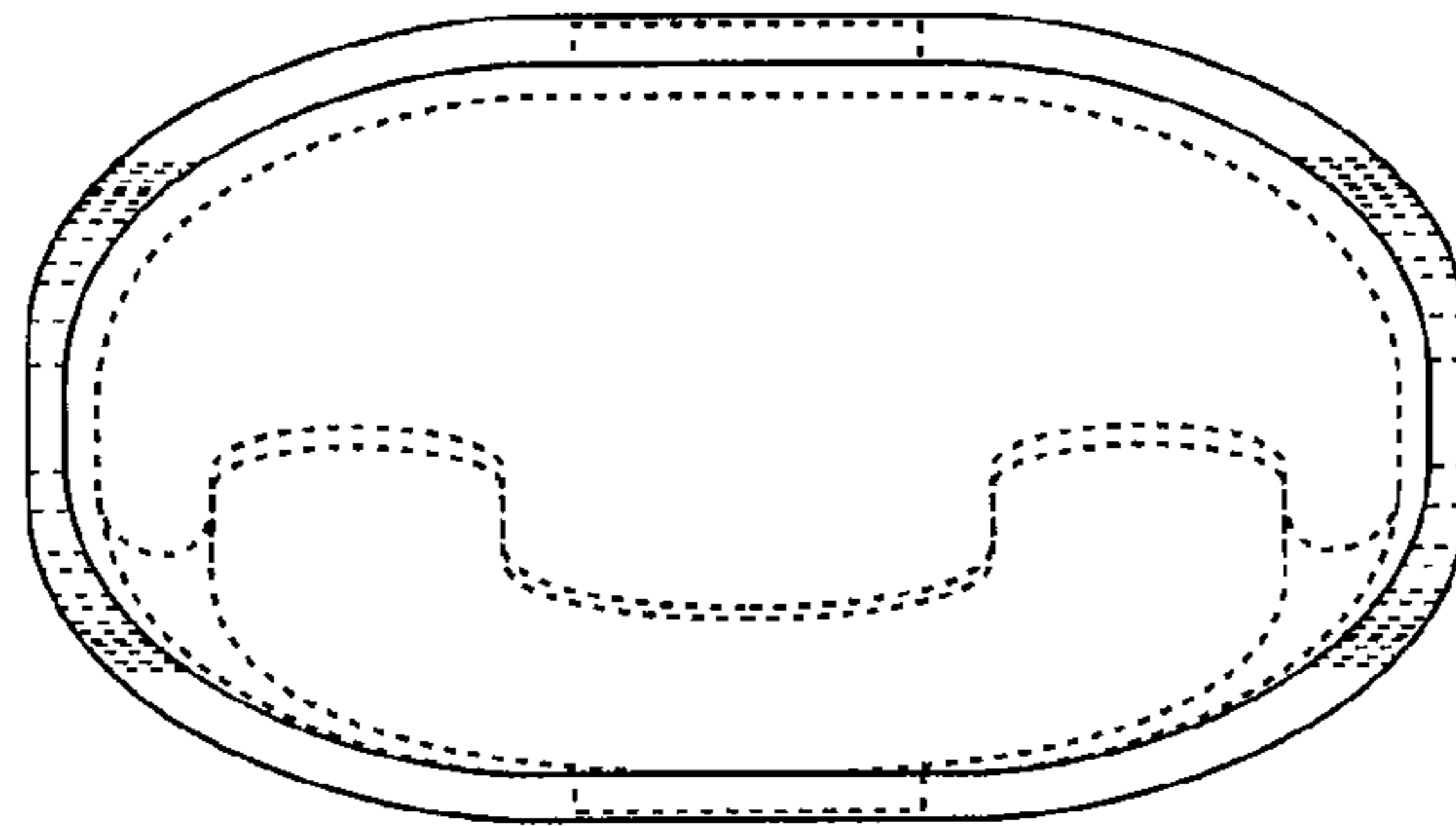


Fig. 11

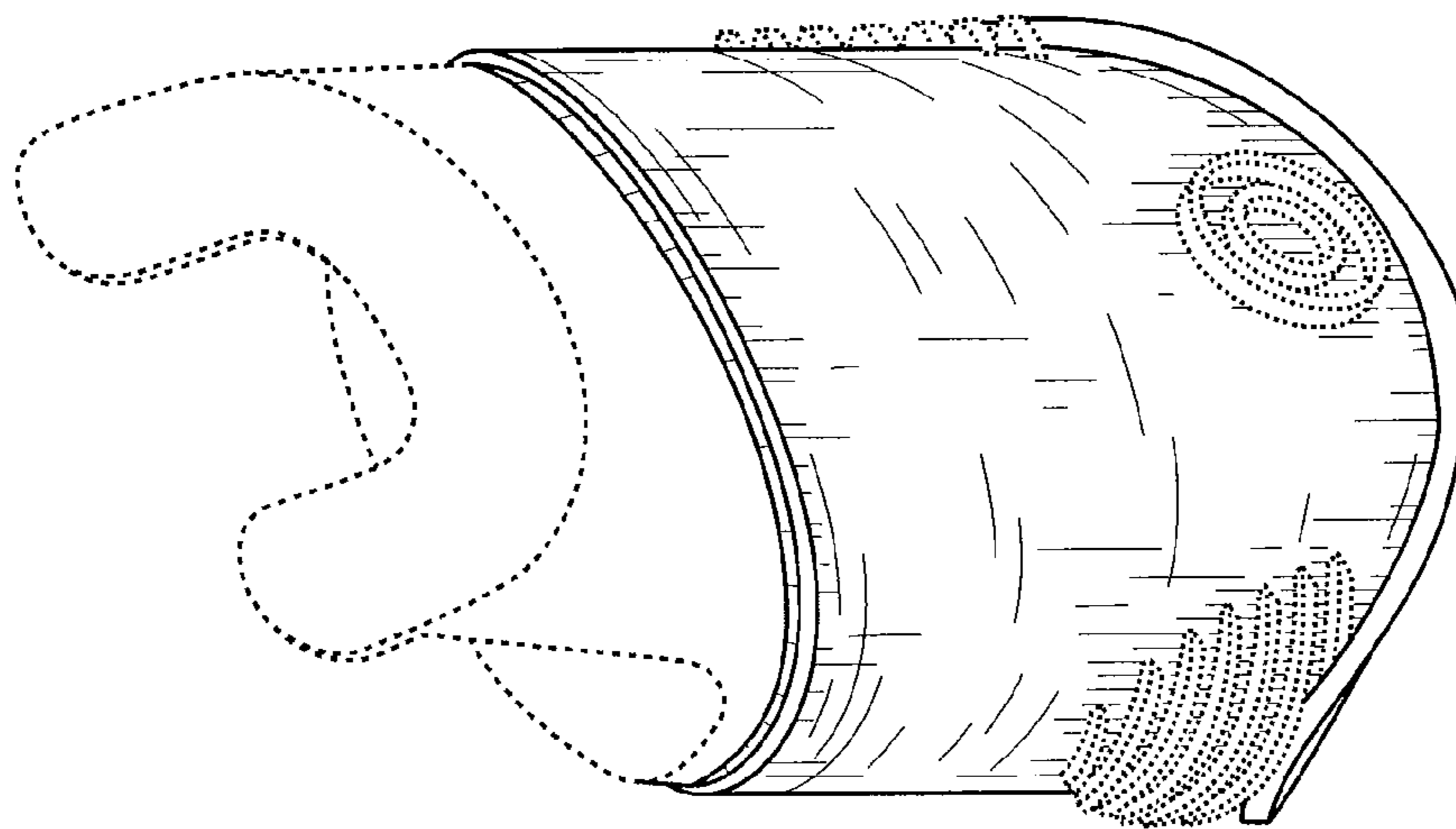


Fig. 12