



US00D682414S

(12) **United States Design Patent**  
**Chen**

(10) **Patent No.:** **US D682,414 S**

(45) **Date of Patent:** **\*\* May 14, 2013**

(54) **MICRODERM ABRASION MACHINE**

(76) Inventor: **Tong Chen**, Foshan (CN)

(\*\*) Term: **14 Years**

(21) Appl. No.: **29/385,649**

(22) Filed: **Feb. 17, 2011**

(51) **LOC (9) CI.** ..... **24-01**

(52) **U.S. CI.**  
USPC ..... **D24/107**

(58) **Field of Classification Search** ..... D24/107,  
D24/108, 111, 185, 186, 200; D28/99; 451/87,  
451/88; 604/289; 606/9, 131, 132  
See application file for complete search history.

(56) **References Cited**

U.S. PATENT DOCUMENTS

D192,841	S	*	5/1962	Skoikie et al.	.....	D24/200
D224,070	S	*	6/1972	Lopez et al.	.....	D24/170
D249,550	S	*	9/1978	Jankelson et al.	.....	D24/200
4,653,474	A	*	3/1987	Reithler	.....	607/5
D326,920	S	*	6/1992	Ridolfo	.....	D24/200
6,250,996	B1	*	6/2001	Metcalf et al.	.....	451/87
D475,463	S	*	6/2003	Leyde et al.	.....	D24/200

D489,816	S	*	5/2004	Ross	.....	D24/107
7,232,444	B2	*	6/2007	Chang	.....	606/131
D627,876	S	*	11/2010	Tong	.....	D24/107
2001/0023351	A1	*	9/2001	Eilers et al.	.....	606/131
2003/0093089	A1	*	5/2003	Greenberg	.....	606/131
2007/0156124	A1	*	7/2007	Ignon et al.	.....	606/9

\* cited by examiner

*Primary Examiner* — Patricia Palasik

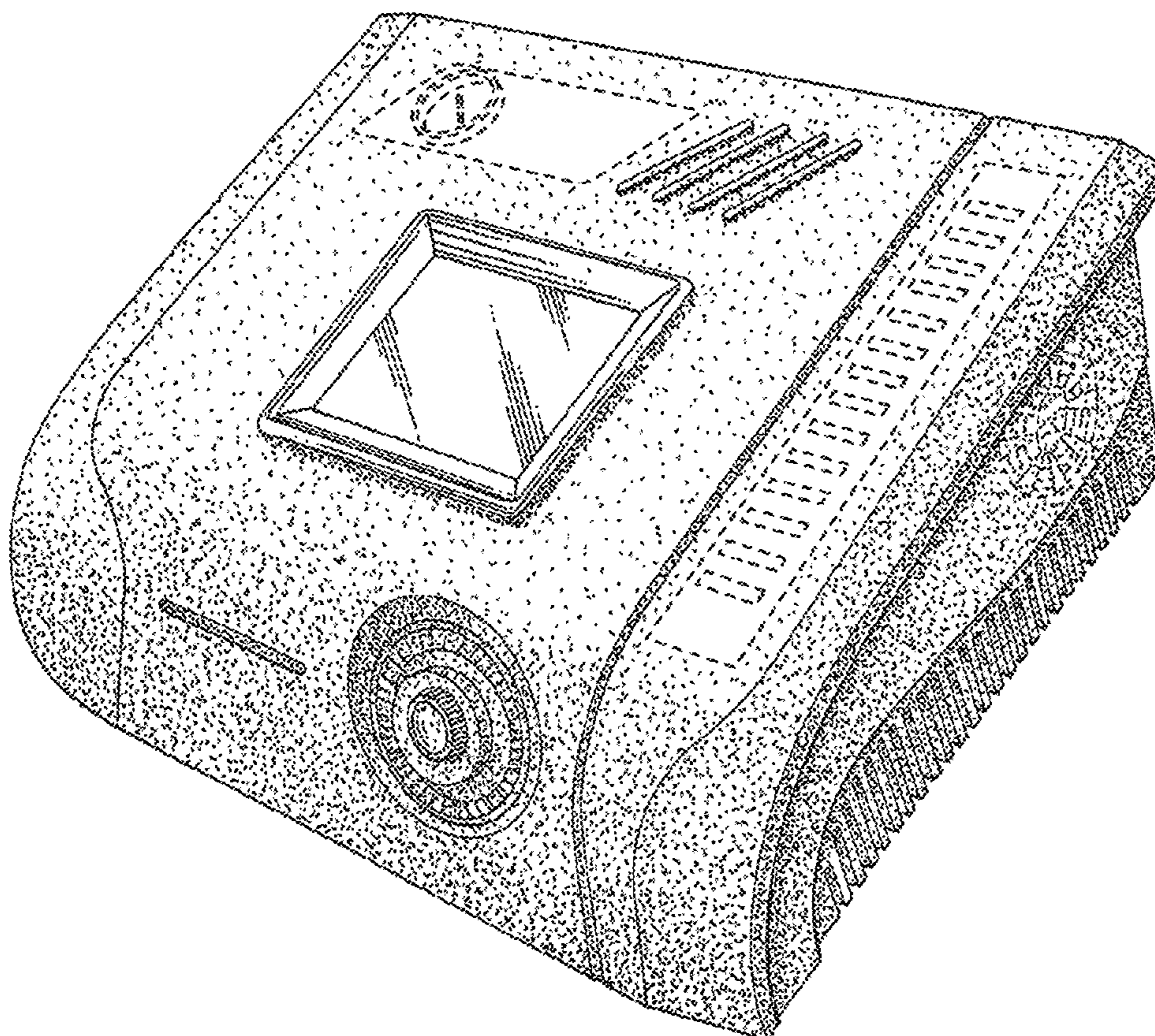
(57) **CLAIM**

The ornamental design for a microderm abrasion machine, as is shown and described herein.

**DESCRIPTION**

FIG. 1 is a top perspective view of a microderm abrasion machine incorporating the claimed design; FIG. 2 is a front plan view thereof; FIG. 3 is a top elevational view thereof; FIG. 4 is a right side plan view thereof, the left side being a mirror image thereof; FIG. 5 is a back elevational view thereof; and, FIG. 6 is a bottom elevational view thereof. The broken lines in the drawings depict unclaimed environmental subject matter.

**1 Claim, 3 Drawing Sheets**



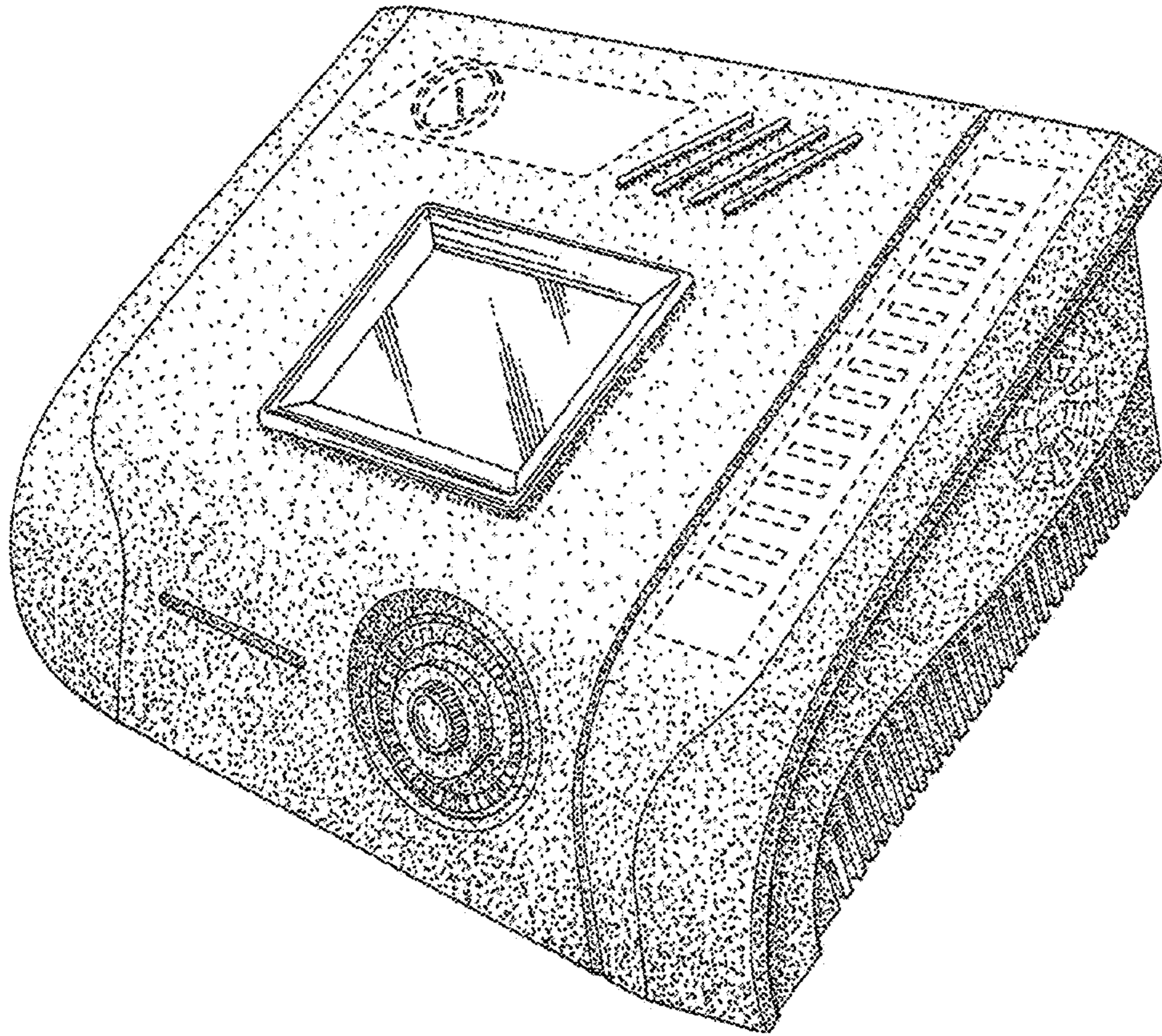


FIG. 1

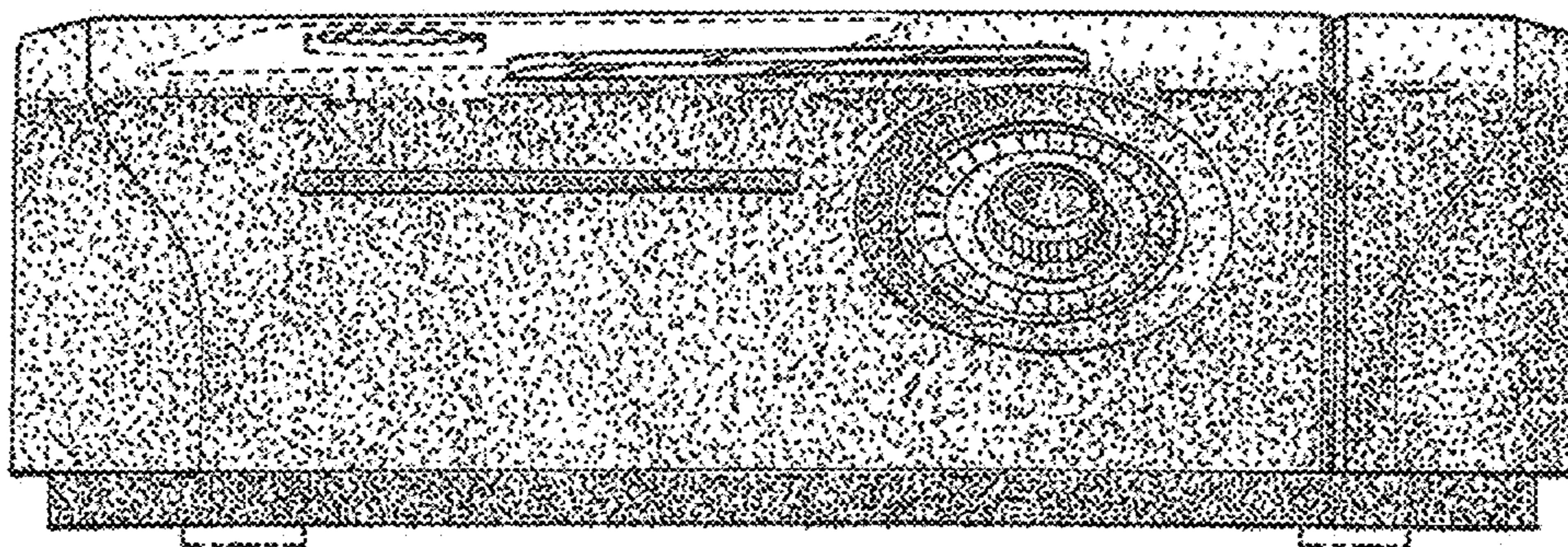


FIG. 2

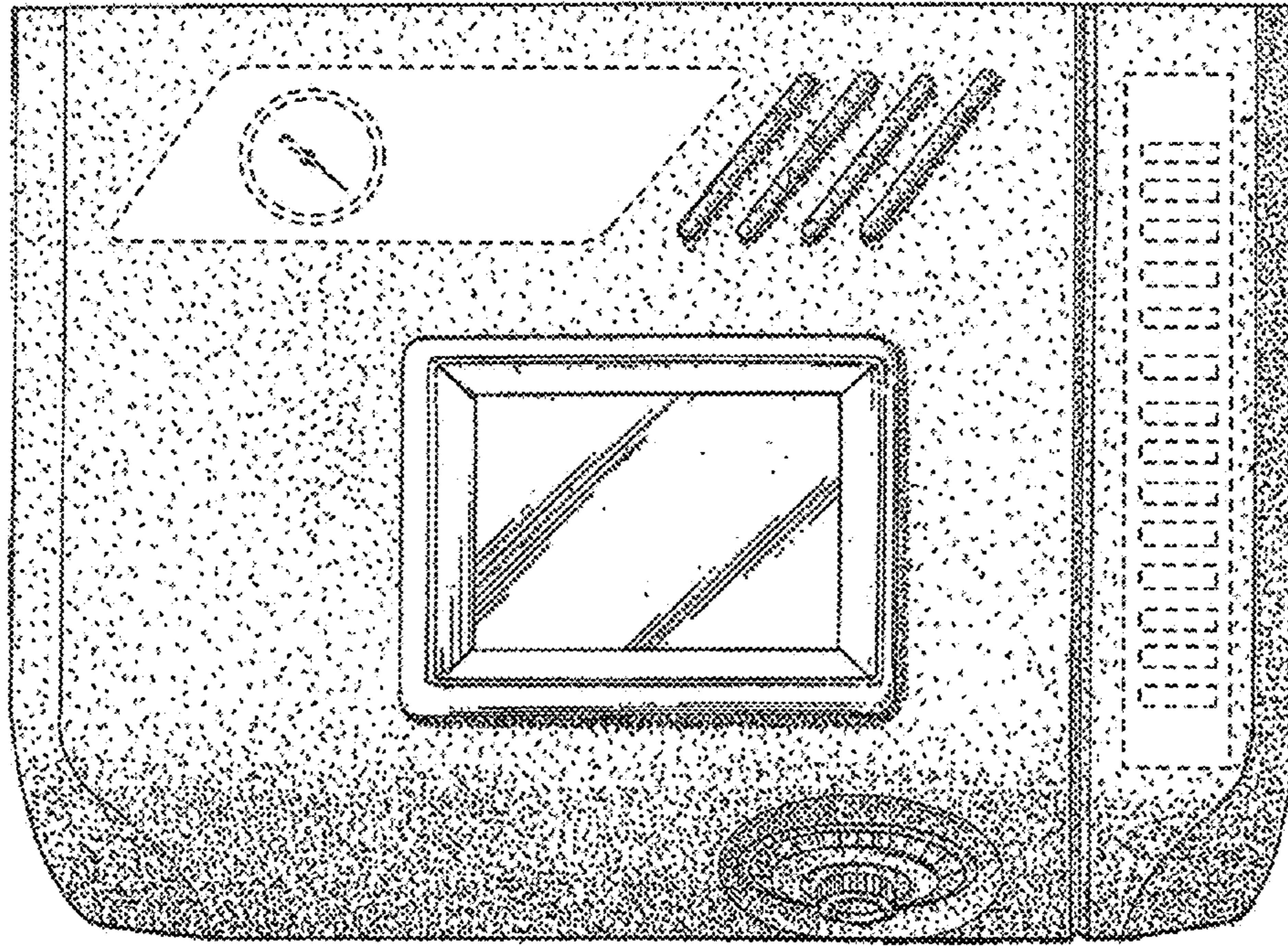


FIG. 3

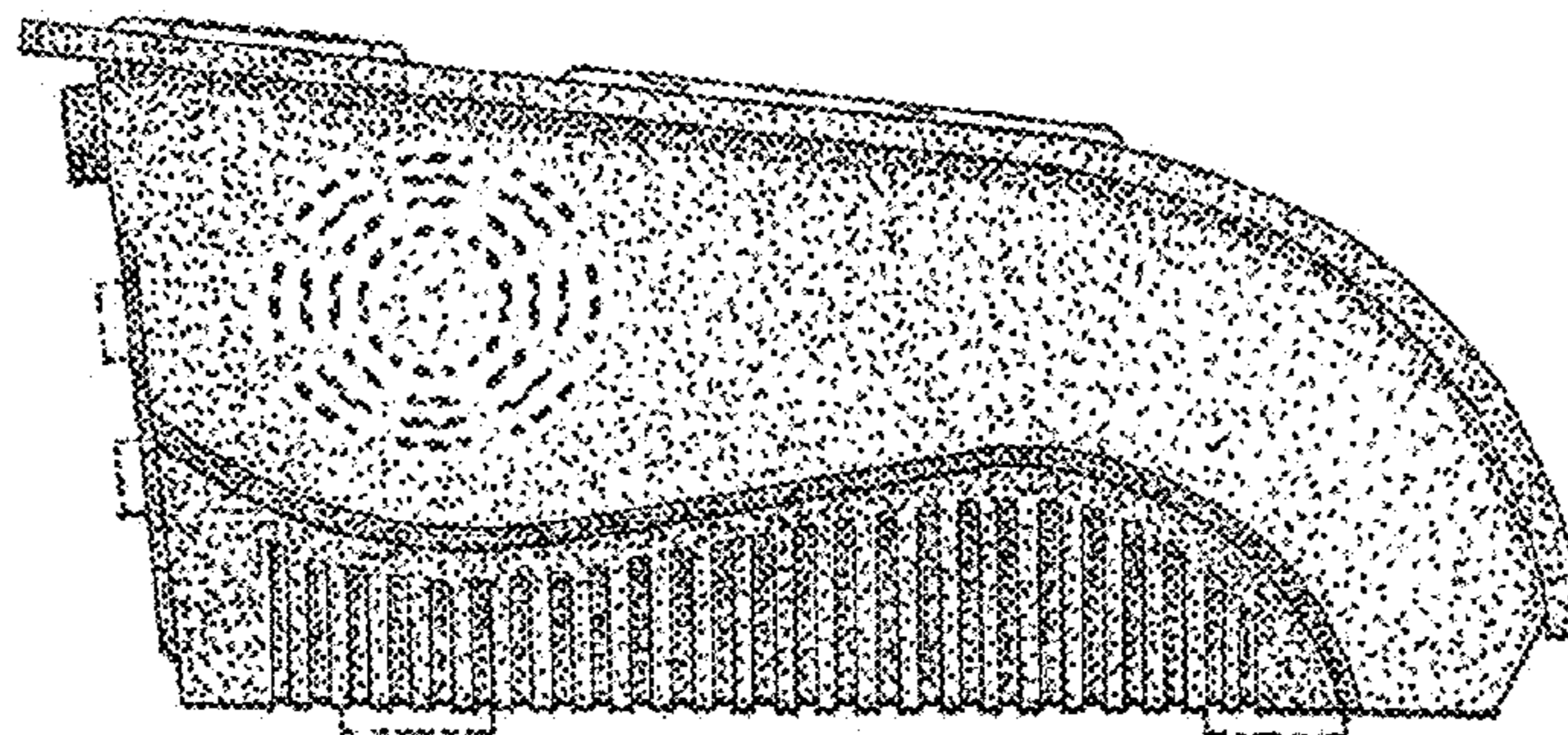


FIG. 4

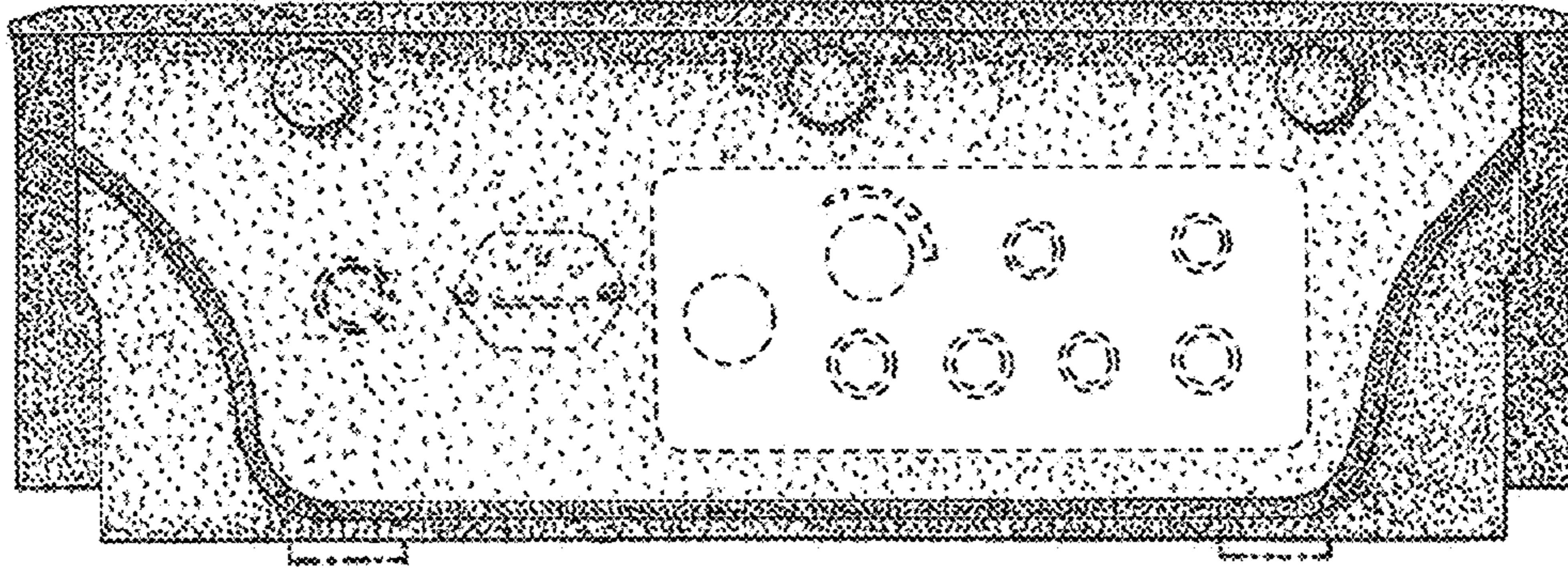


FIG. 5

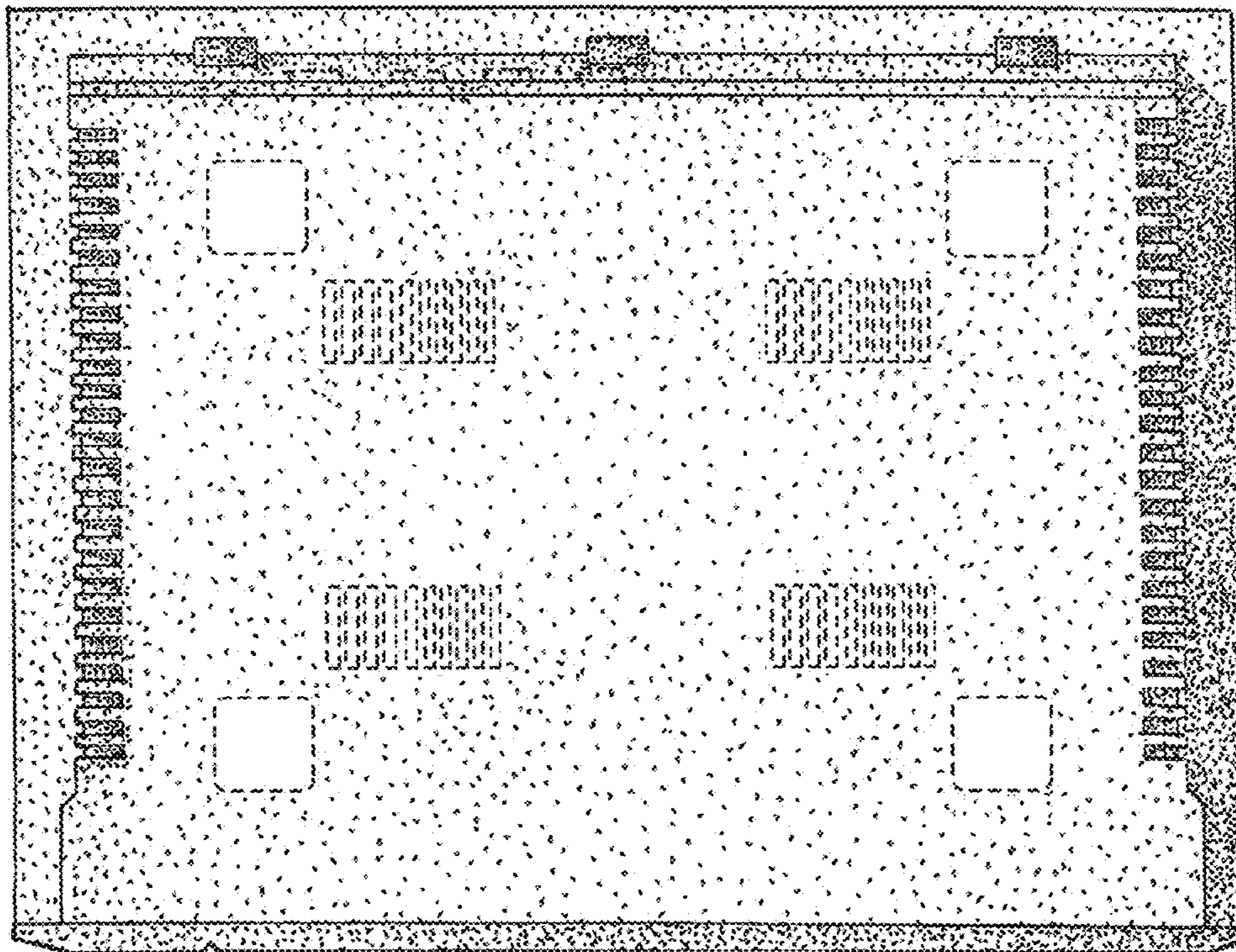


FIG. 6