



US00D682413S

(12) **United States Design Patent**
Gross et al.

(10) **Patent No.:** **US D682,413 S**

(45) **Date of Patent:** **** May 14, 2013**

(54) **EAR PLUG**

(76) Inventors: **Benjamin R. Gross**, San Diego, CA (US); **Daniel O. Massaro**, San Diego, CA (US)

(**) Term: **14 Years**

(21) Appl. No.: **29/377,837**

(22) Filed: **Oct. 26, 2010**

(51) **LOC (9) Cl.** **24-04**

(52) **U.S. Cl.**
USPC **D24/106**

(58) **Field of Classification Search** D24/106,
D24/173, 174, 200; D14/223; 128/864,
128/866, 867; 181/126, 129, 130, 135, 128;
2/209; D7/510, 515; D22/115, 116; D9/529,
D9/680; D28/87; 86/10, 19.5, 23, 25, 46-48,
86/54-55; 102/346, 430, 439, 448, 458,
102/460, 464-468, 471, 501, 506, 508, 514,
102/517, 521

See application file for complete search history.

(56) **References Cited**

U.S. PATENT DOCUMENTS

270,616	A *	1/1883	Taylor	102/430
D46,755	S *	12/1914	Sneden	D9/680
1,434,784	A *	11/1922	Lucas	102/334
1,513,948	A *	11/1924	Werme	102/439
2,341,310	A *	2/1944	Calhoun et al.	102/430
2,441,866	A *	5/1948	Cantor	128/867
3,369,534	A *	2/1968	Crosman	124/26
3,396,661	A *	8/1968	Michael	102/430
3,507,979	A *	4/1970	Erkan	174/176
4,724,922	A *	2/1988	Kalayjian	181/135
4,738,817	A *	4/1988	Wittwer et al.	264/328.14
D381,897	S *	8/1997	Matthiesen	D9/680
6,408,981	B1 *	6/2002	Smith et al.	181/126
D500,952	S *	1/2005	Moore	D9/600

D536,931	S *	2/2007	Spellman	D7/594
D541,412	S *	4/2007	Benner	D24/106
7,236,605	B2 *	6/2007	Oliveira et al.	381/328
D548,325	S *	8/2007	Benner	D24/106

(Continued)

OTHER PUBLICATIONS

18 k gold bullet shaped earphones by Munitio, [online], published on Jun. 11, 2010, retrieved on Oct. 15, 2012. Retrieved from, <URL: http://www.luxurylaunches.com/gadgets/18k_gold_bullet_shaped_earphones_by_munitio.php>, 1 page.*

(Continued)

Primary Examiner — Ian Simmons

Assistant Examiner — Shannon Weekley

(74) *Attorney, Agent, or Firm* — Mandour & Associates, APC

(57) **CLAIM**

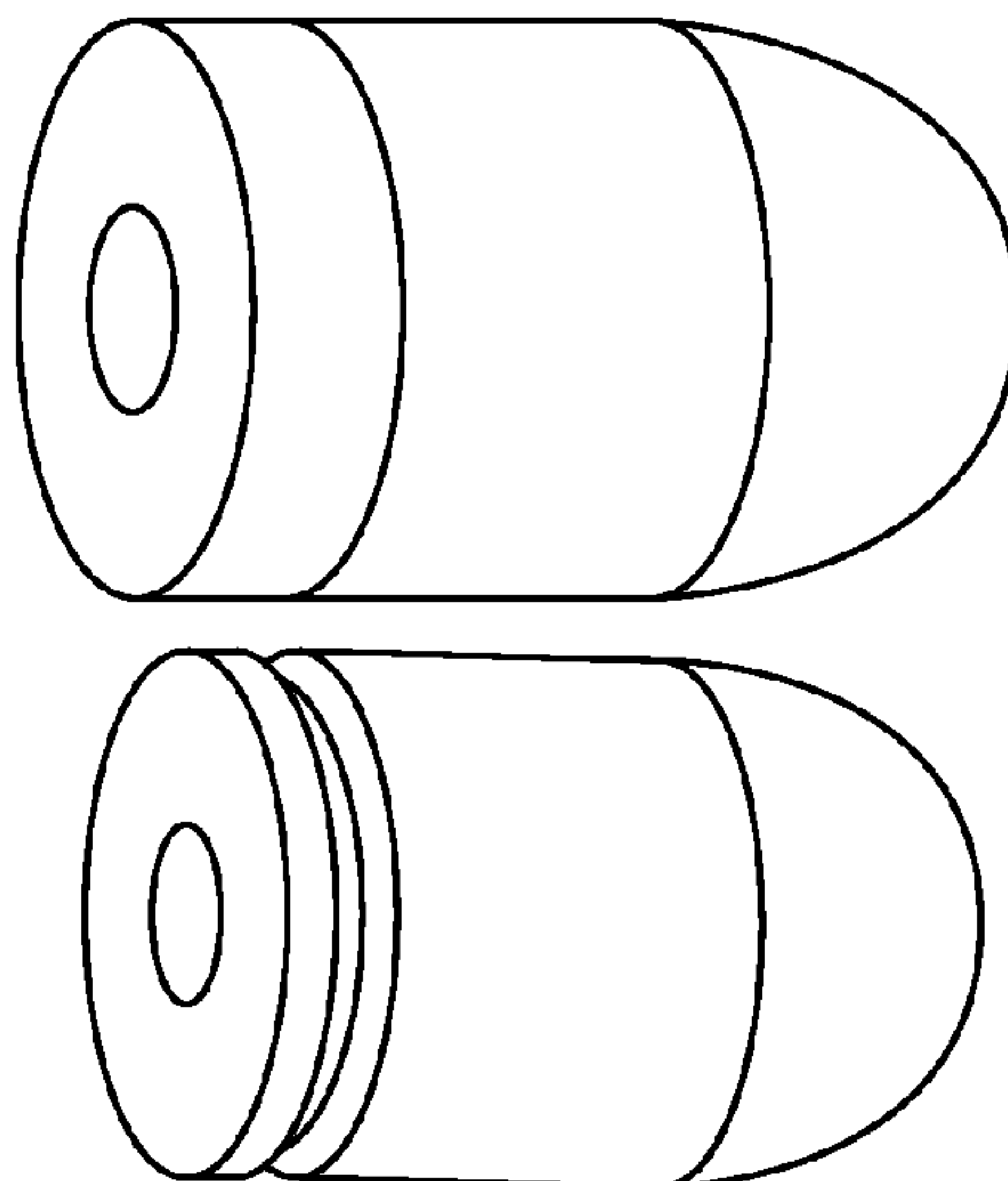
What is claimed is the ornamental design for an ear plug, as shown and described.

DESCRIPTION

FIG. 1 is a side view of an ear plug showing my new design; FIG. 2 is a back end view thereof; FIG. 3 is a front end view thereof; FIG. 4 is a perspective view of the ear plug in use; FIG. 5 is a side view of an alternative embodiment of an ear plug; FIG. 6 is a back end view thereof; FIG. 7 is a front end view thereof; FIG. 8 is a side perspective view of the ear plug in FIG. 1; and, FIG. 9 is a side perspective view of an alternative embodiment in FIG. 5.

The broken lines of the ear and the broken shading lines above the ear shown in FIG. 4 are for environmental purposes only and form no part of the claimed design.

1 Claim, 5 Drawing Sheets



US D682,413 S

Page 2

U.S. PATENT DOCUMENTS

7,264,081 B2 * 9/2007 Bruck 181/135
D583,927 S * 12/2008 Benner D24/106
D584,398 S * 1/2009 Benner D24/106
D589,135 S * 3/2009 Benner D24/106
D595,837 S * 7/2009 Benner D24/106
D615,818 S * 5/2010 Jansen D7/515
D639,280 S * 6/2011 Hayes D14/223
D646,179 S * 10/2011 Jansen D9/680
D654,056 S * 2/2012 Hoggarth et al. D14/223
D656,922 S * 4/2012 Massaro et al. D14/223
8,170,219 B2 * 5/2012 Sandberg 381/23.1
2001/0047729 A1 * 12/2001 Maude et al. 101/35
2003/0217665 A1 * 11/2003 Rennard 102/430
2004/0079579 A1 * 4/2004 Barwacz 181/135
2005/0135650 A1 * 6/2005 Berger 381/382
2006/0005731 A1 * 1/2006 Muth 102/501

2006/0175722 A1 * 8/2006 Babcock et al. 264/41
2006/0278468 A1 * 12/2006 Bruck 181/135
2008/0207790 A1 * 8/2008 Knauer et al. 521/145
2010/0147177 A1 * 6/2010 Van Stratum 102/470
2010/0180757 A1 * 7/2010 Park et al. 86/23
2010/0275804 A1 * 11/2010 Trivette 102/448
2011/0167700 A1 * 7/2011 Bozicevic 42/84
2012/0051578 A1 * 3/2012 Parkins et al. 381/380

OTHER PUBLICATIONS

Going Ears-on With the Modern Warfare 3 Munition Billets 9mm,
[online], published on Oct. 25, 2011, retrieved on Oct. 15, 2012.
Retrieved from, <URL: <http://www.tomsguide.com/us/munitio-billets-mw3-9mm-earphones,news-12988.html>>, 1 page.*

* cited by examiner

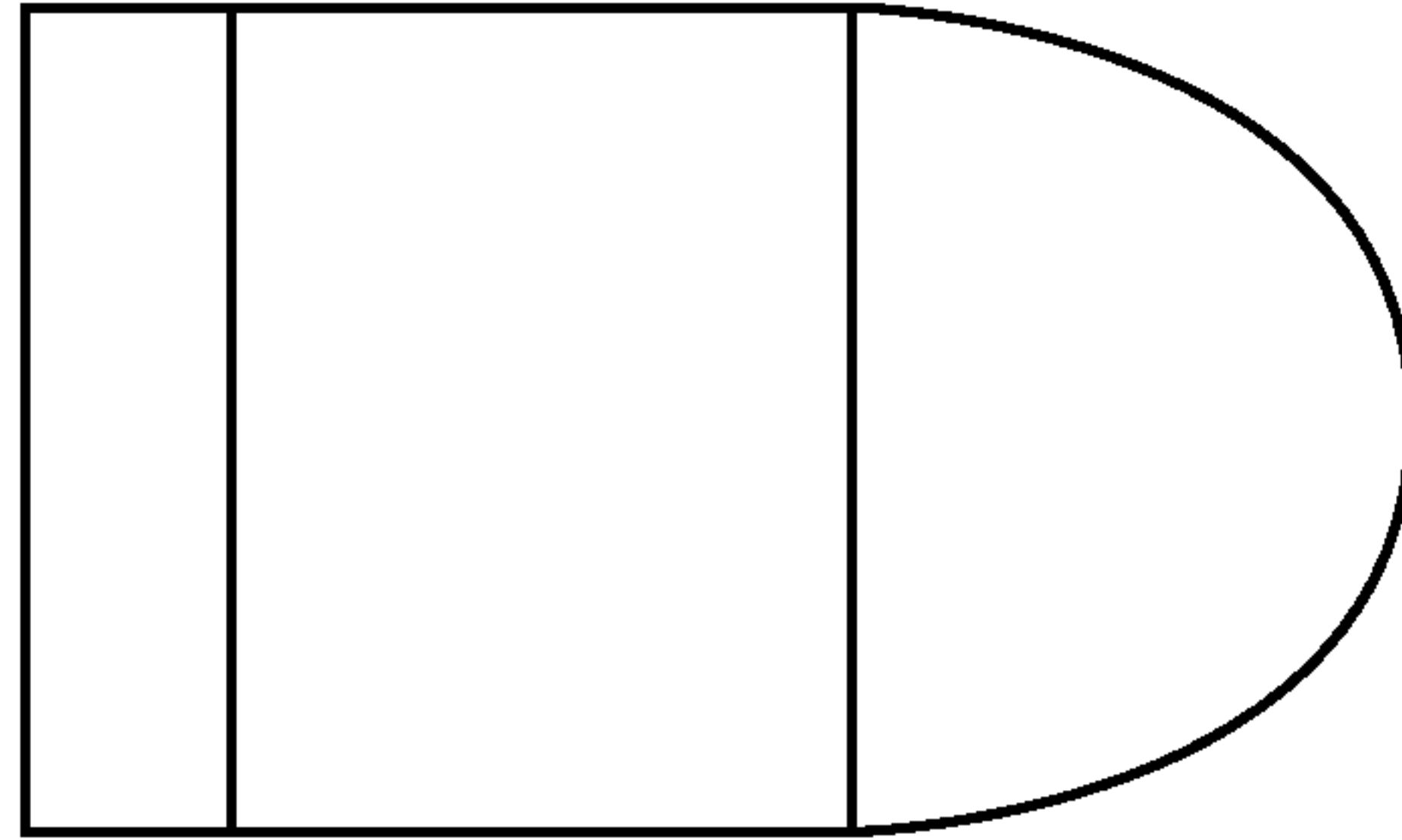


FIG. 1

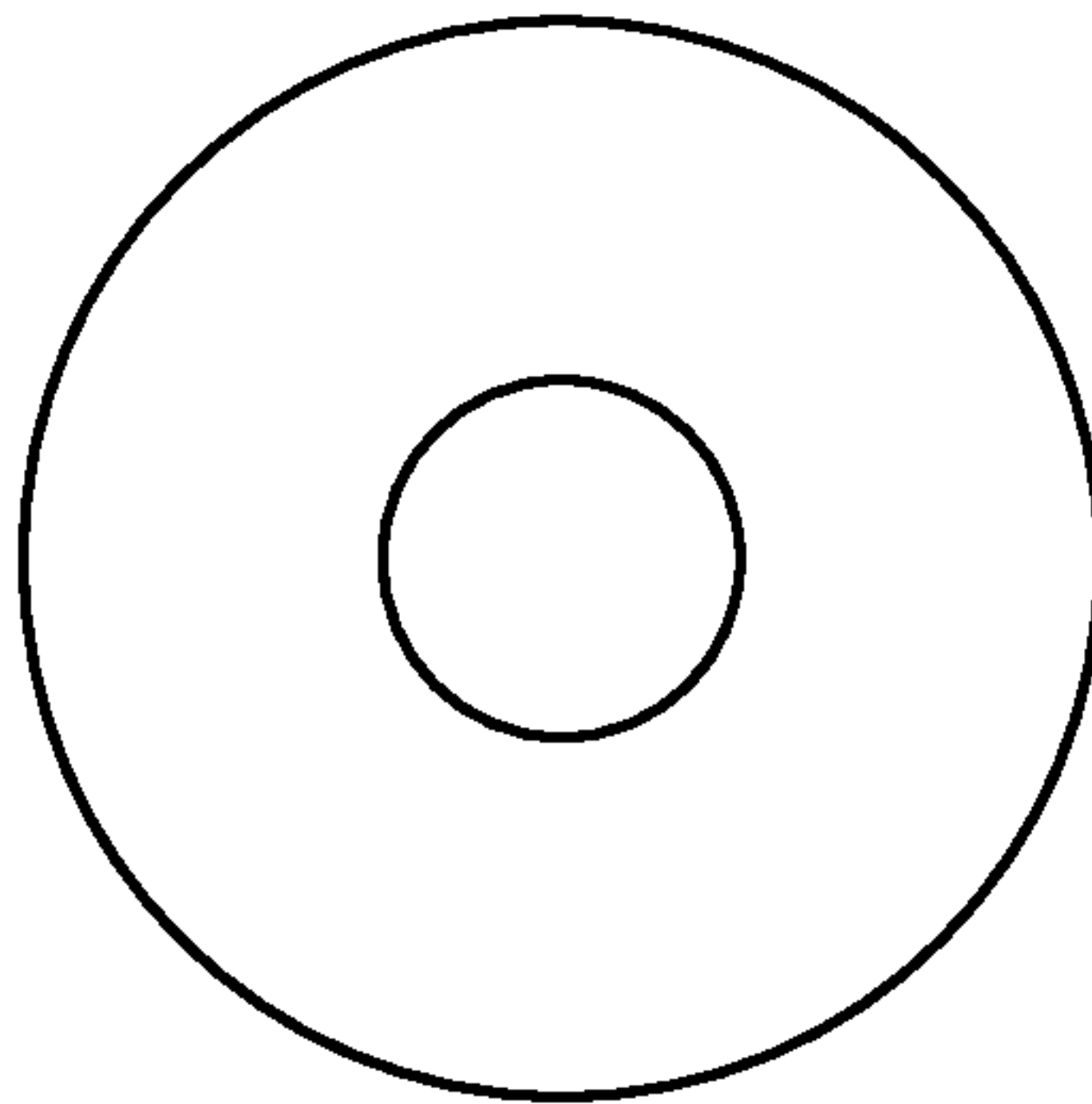


FIG. 2

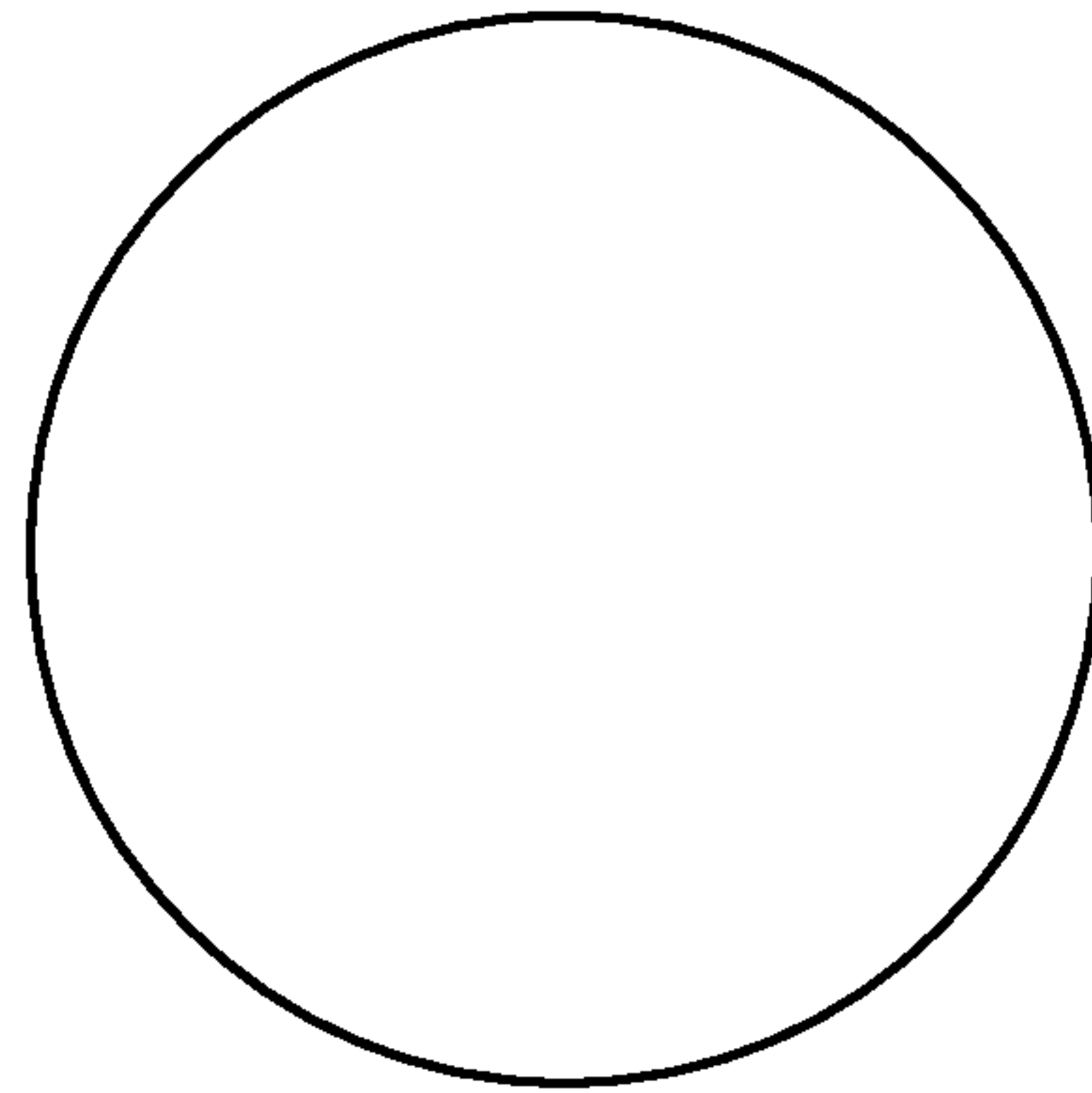


FIG. 3

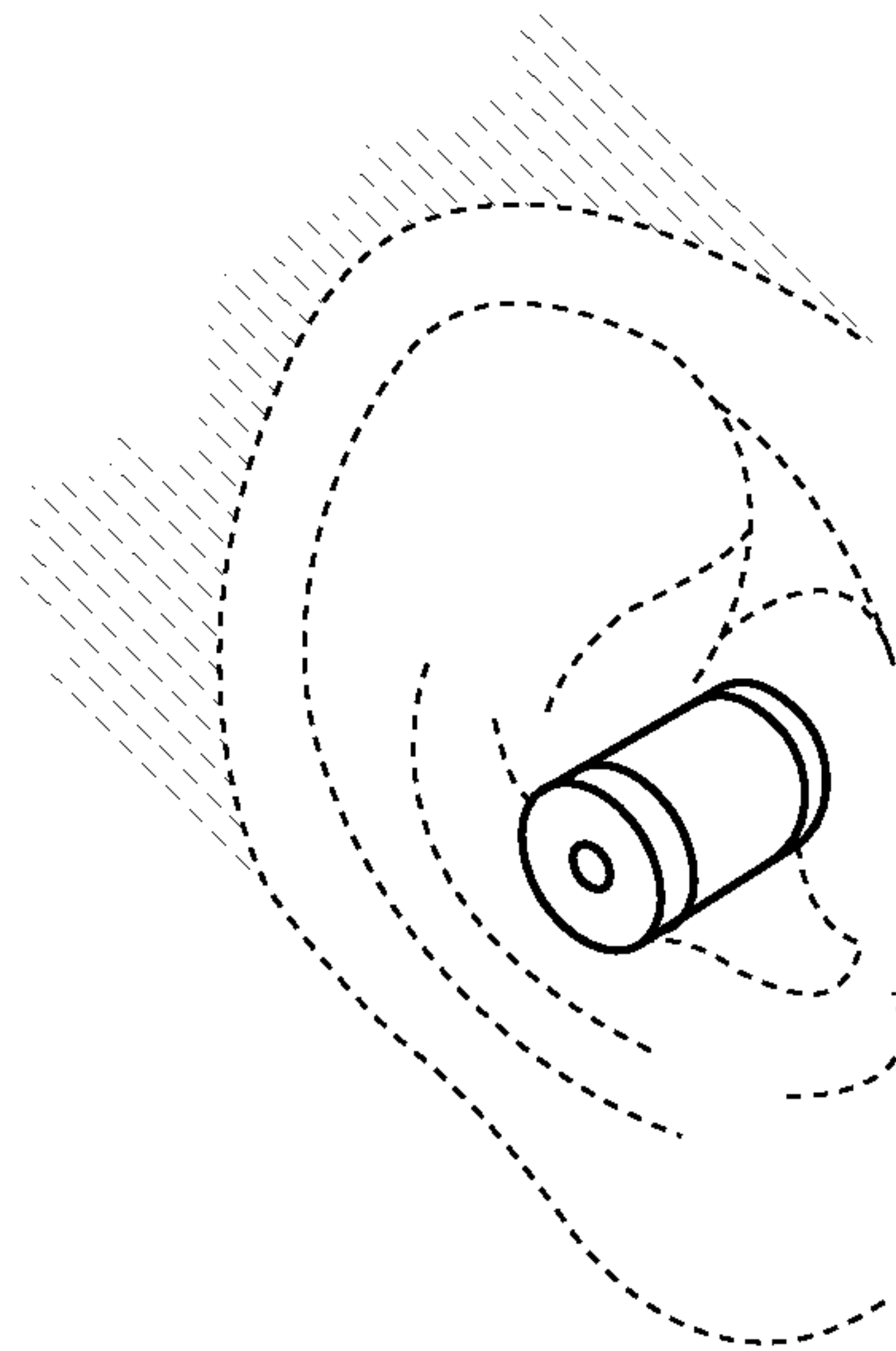


FIG. 4

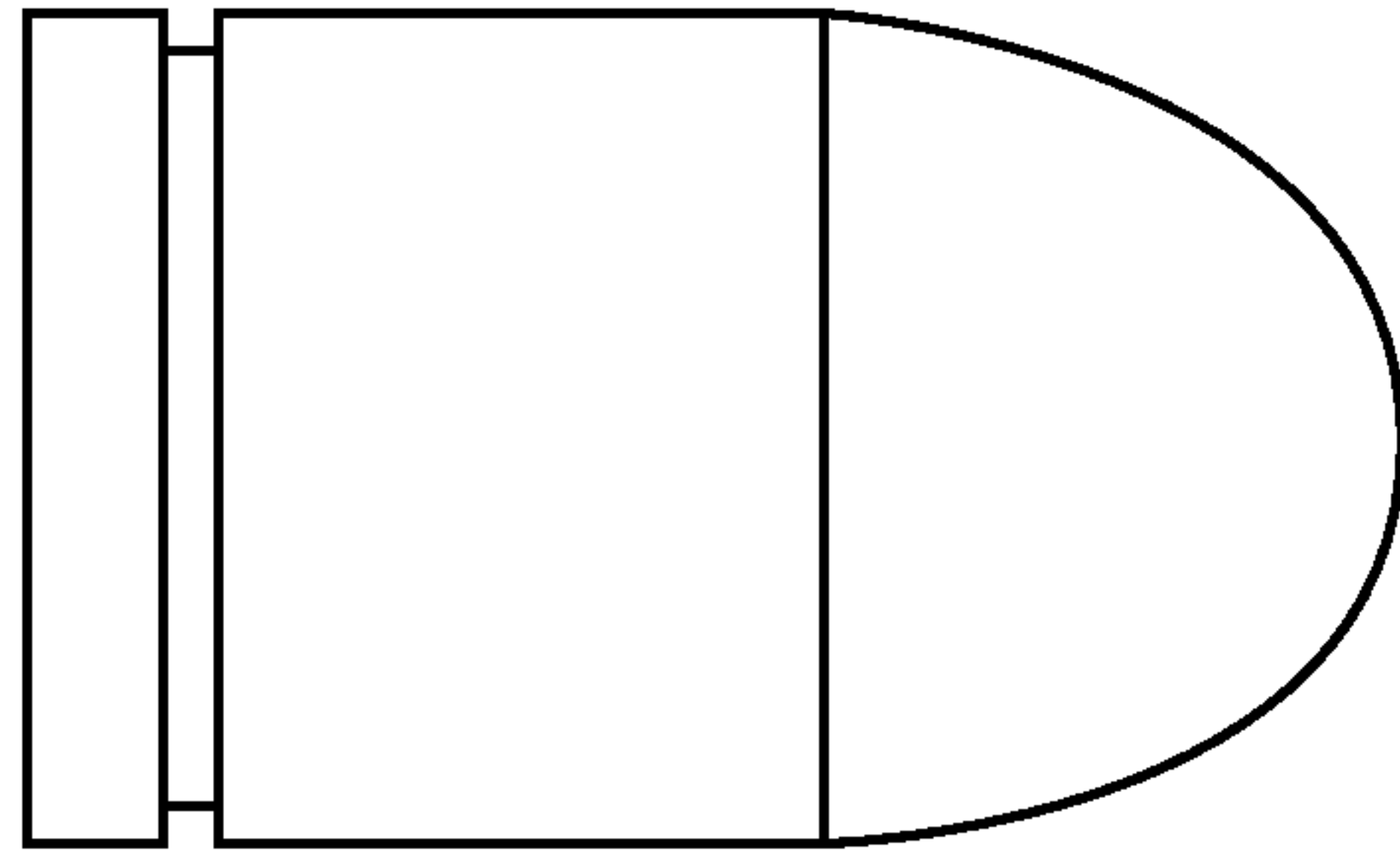


FIG. 5

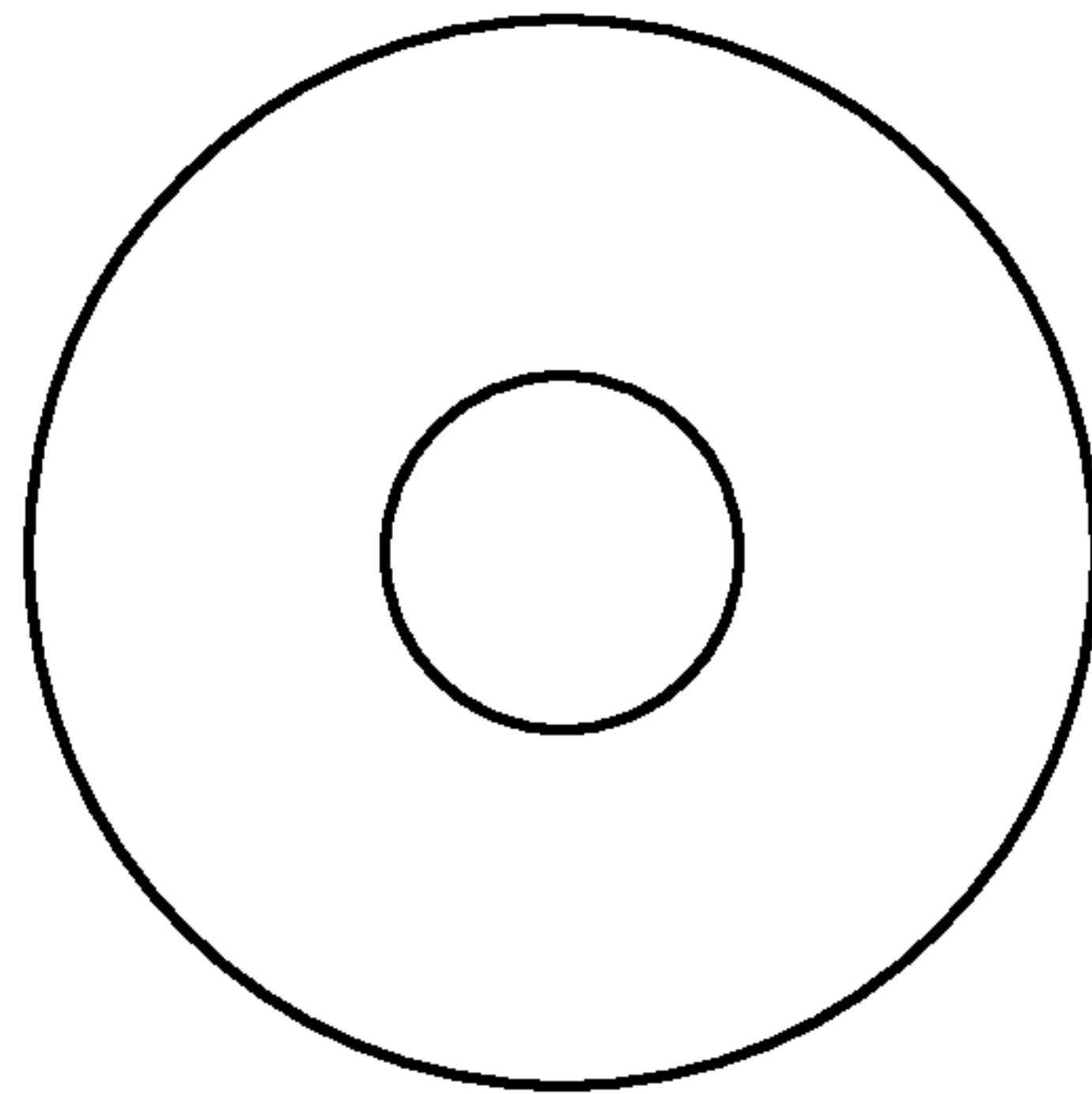


FIG. 6

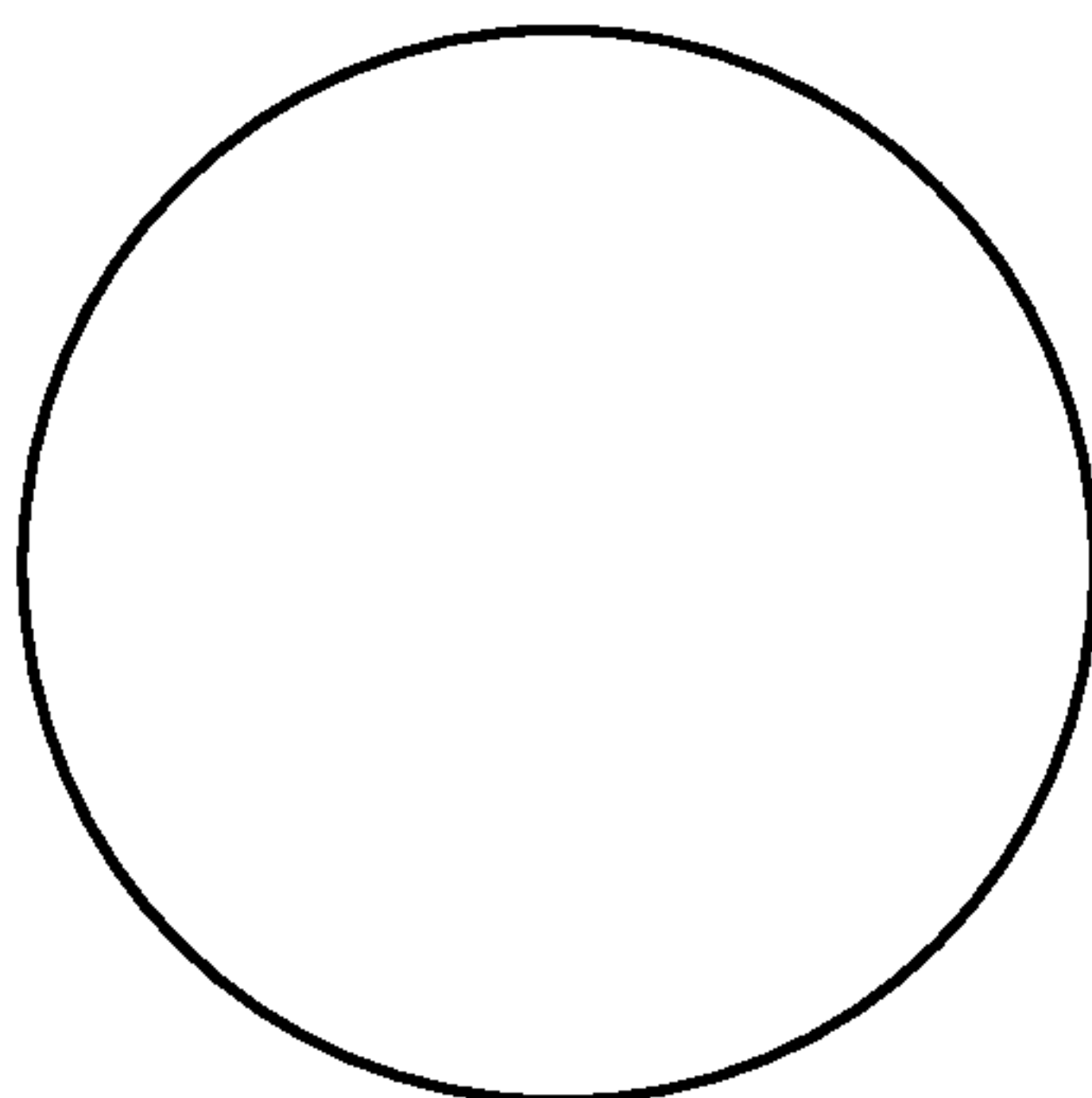


FIG. 7

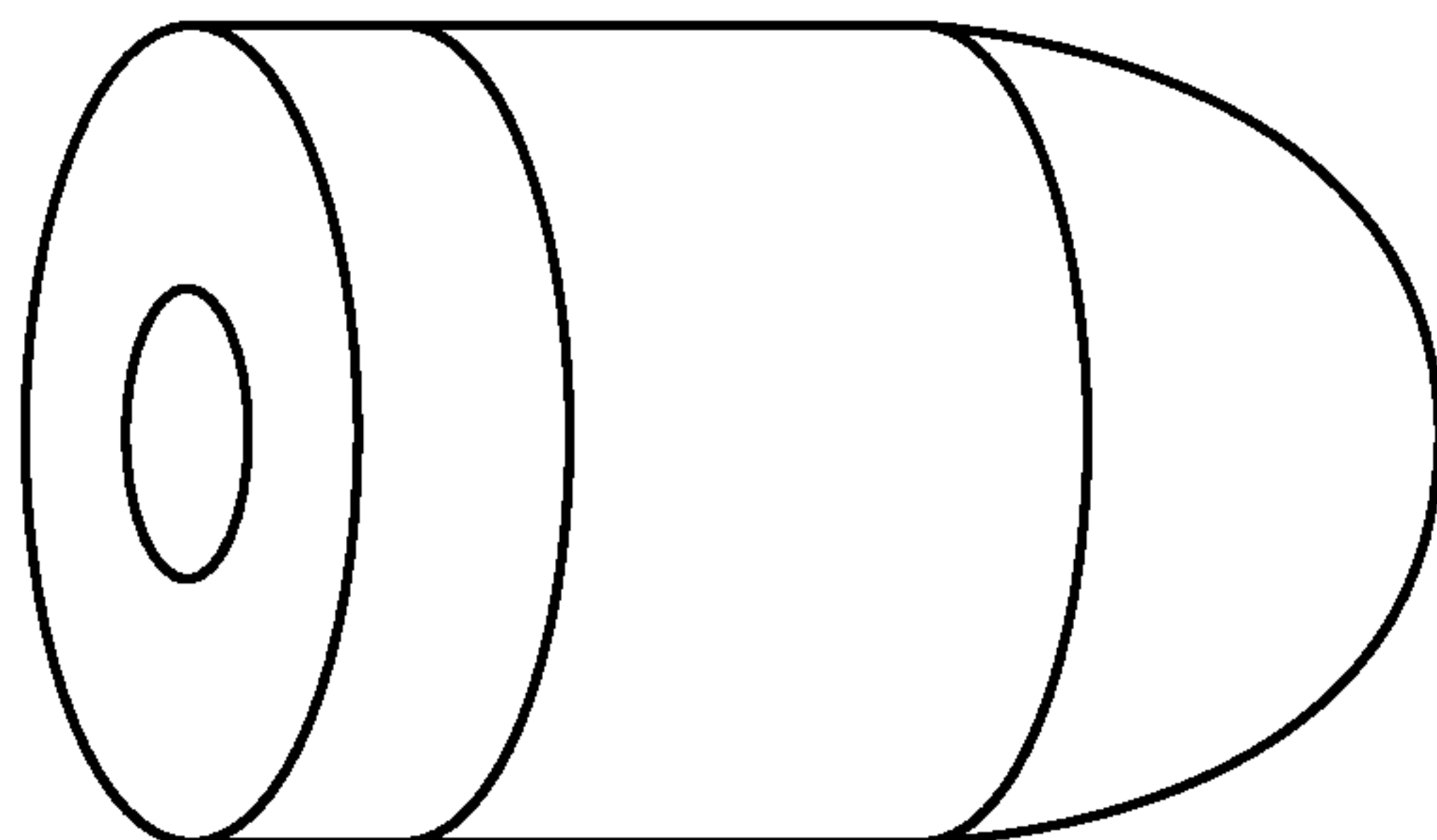


FIG. 8

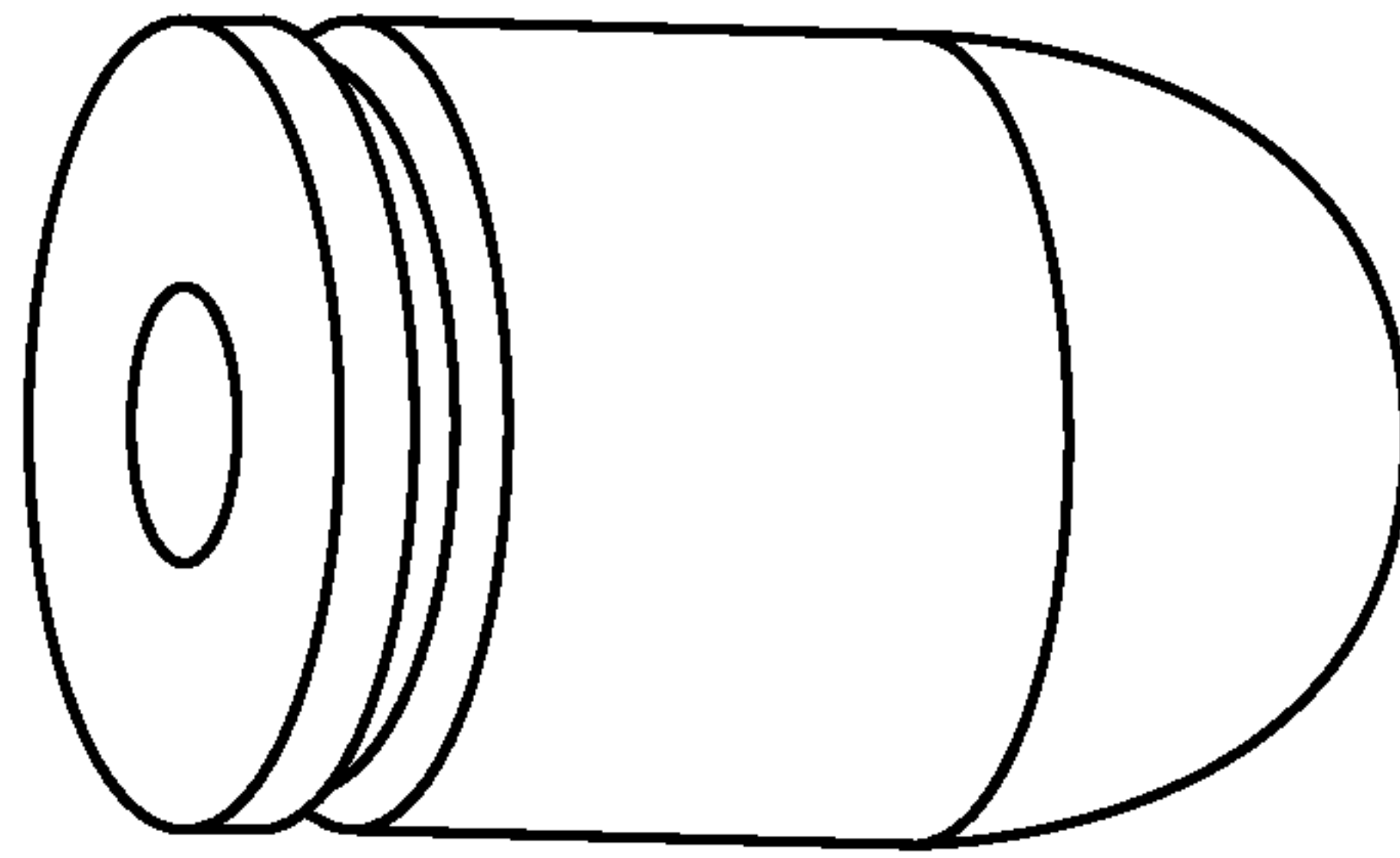


FIG. 9