



US00D682412S

(12) **United States Design Patent**  
**Dobert et al.**

(10) **Patent No.:** **US D682,412 S**  
(45) **Date of Patent:** **\*\* May 14, 2013**

- (54) **CURVED INFRARED BURNER**
- (75) Inventors: **Marvin Stanley Dobert**, Bolton Landing, NY (US); **Mark Groenhuyzen**, Huntington Beach, CA (US); **Jack Lovley**, Lake Forest, CA (US)
- (73) Assignee: **Bravo Sports**, Santa Fe Springs, CA (US)

- (\*\*) Term: **14 Years**
- (21) Appl. No.: **29/431,032**
- (22) Filed: **Aug. 31, 2012**

**Related U.S. Application Data**

- (63) Continuation of application No. 29/400,745, filed on Aug. 31, 2011, now Pat. No. Des. 666,708.
- (51) **LOC (9) Cl.** ..... **23-03**
- (52) **U.S. Cl.**  
USPC ..... **D23/415**
- (58) **Field of Classification Search** ..... D23/403-406, D23/415-419, 421, 422, 499, 343-345, 347, D23/349, 386; D7/402, 407, 408, 416, 417; 40/798; 44/520, 530; 52/36.3; 126/25 B, 126/298, 500, 512, 540, 543, 544, 548, 555; 160/DIG. 9; 431/36, 208, 263, 273, 329  
See application file for complete search history.

(56) **References Cited**

**U.S. PATENT DOCUMENTS**

81,484	A *	8/1868	Fahrney	.....	126/332
90,910	A *	6/1869	Stuart et al.	.....	126/501
99,579	A *	2/1870	Martino	.....	126/544

D19,641	S *	2/1890	Munn	.....	D23/416
510,236	A *	12/1893	Boeck	.....	126/97
D27,177	S *	6/1897	Johnston	.....	D23/418
D28,269	S *	2/1898	Ruppel	.....	D23/415
1,941,678	A *	1/1934	Gamard	.....	48/103
D637,278	S *	5/2011	Lau et al.	.....	D23/403
D651,850	S *	1/2012	Moon et al.	.....	D7/402
2011/0083618	A1 *	4/2011	O'Donnell et al.	.....	122/17.1
2012/0237647	A1 *	9/2012	Dobert et al.	.....	426/243
2012/0276488	A1 *	11/2012	Virag et al.	.....	431/278

\* cited by examiner

*Primary Examiner* — Karen S Acker

(74) *Attorney, Agent, or Firm* — Knobbe, Martens, Olson & Bear, LLP

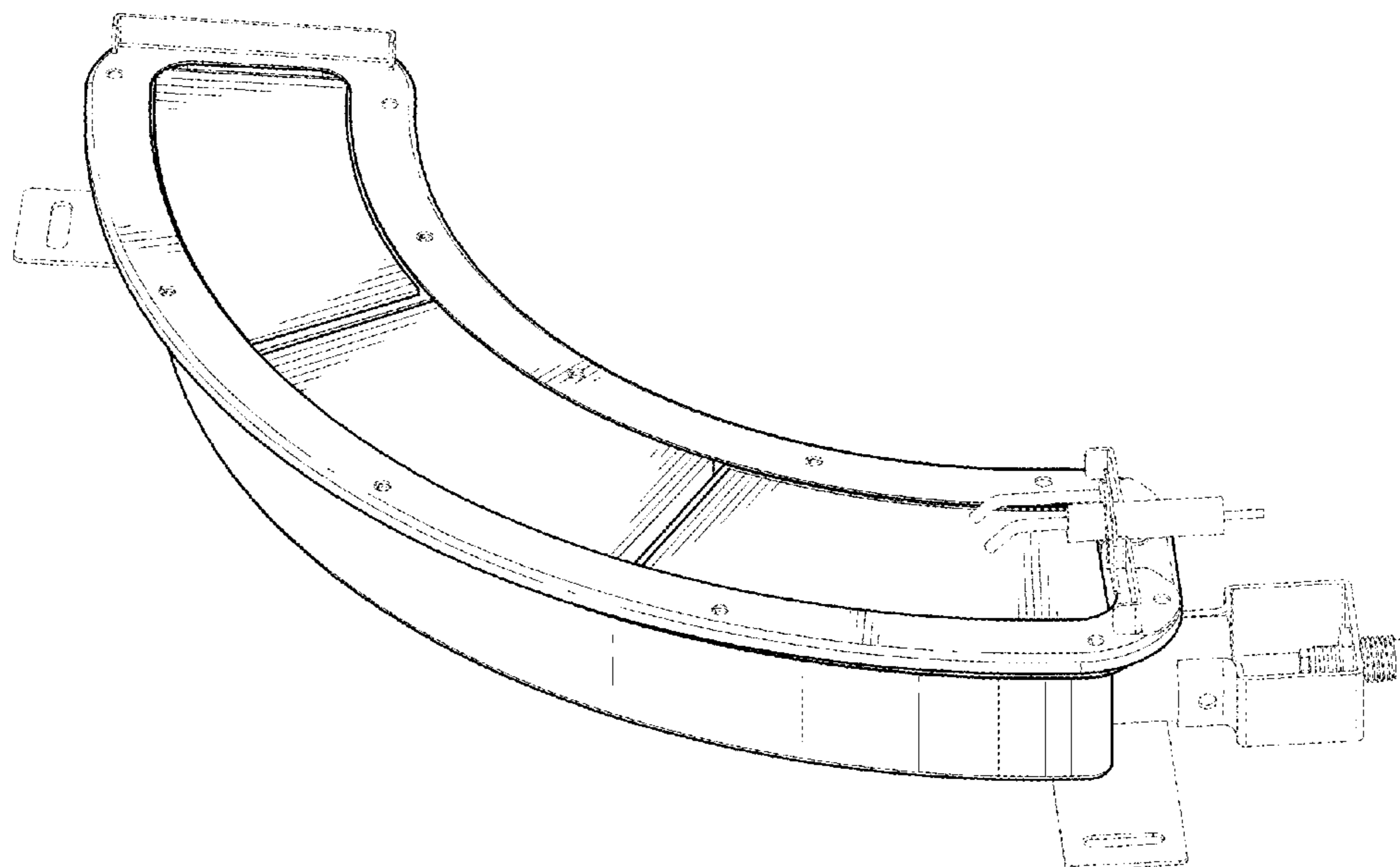
(57) **CLAIM**

The ornamental design for a curved infrared burner, as shown and described.

**DESCRIPTION**

FIG. 1 is a perspective view of a curved infrared burner.  
 FIG. 2 is a top plan view of the curved infrared burner of FIG. 1.  
 FIG. 3 is a bottom plan view of the curved infrared burner of FIG. 1.  
 FIG. 4 is a left side elevational view of the curved infrared burner of FIG. 1.  
 FIG. 5 is a right side elevational view of the curved infrared burner of FIG. 1.  
 FIG. 6 is a front elevational view of the curved infrared burner of FIG. 1; and,  
 FIG. 7 is a rear elevational view of the curved infrared burner of FIG. 1.  
 The broken lines in the drawings represent portions of the curved infrared burner that form no part of the claim.

**1 Claim, 4 Drawing Sheets**



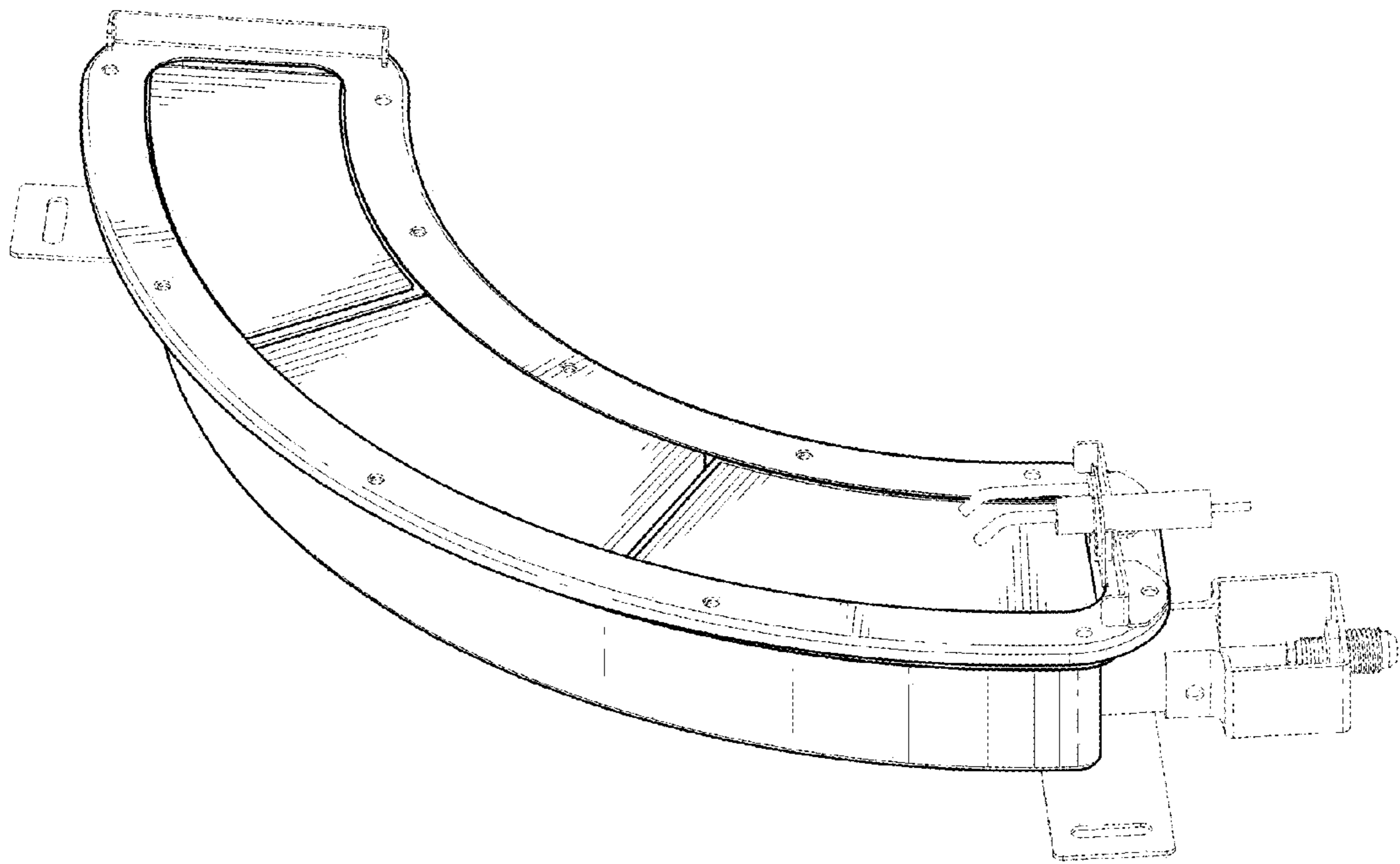


FIG. 1

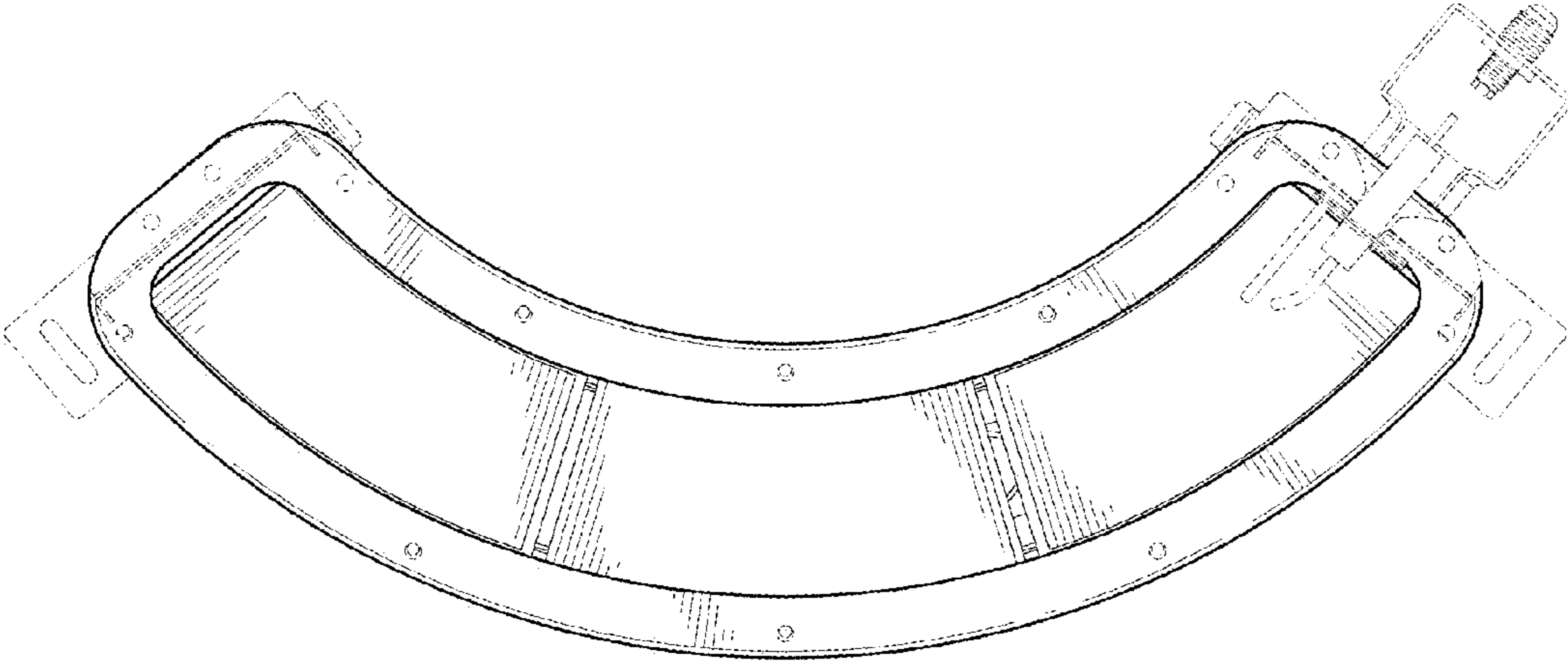


FIG. 2

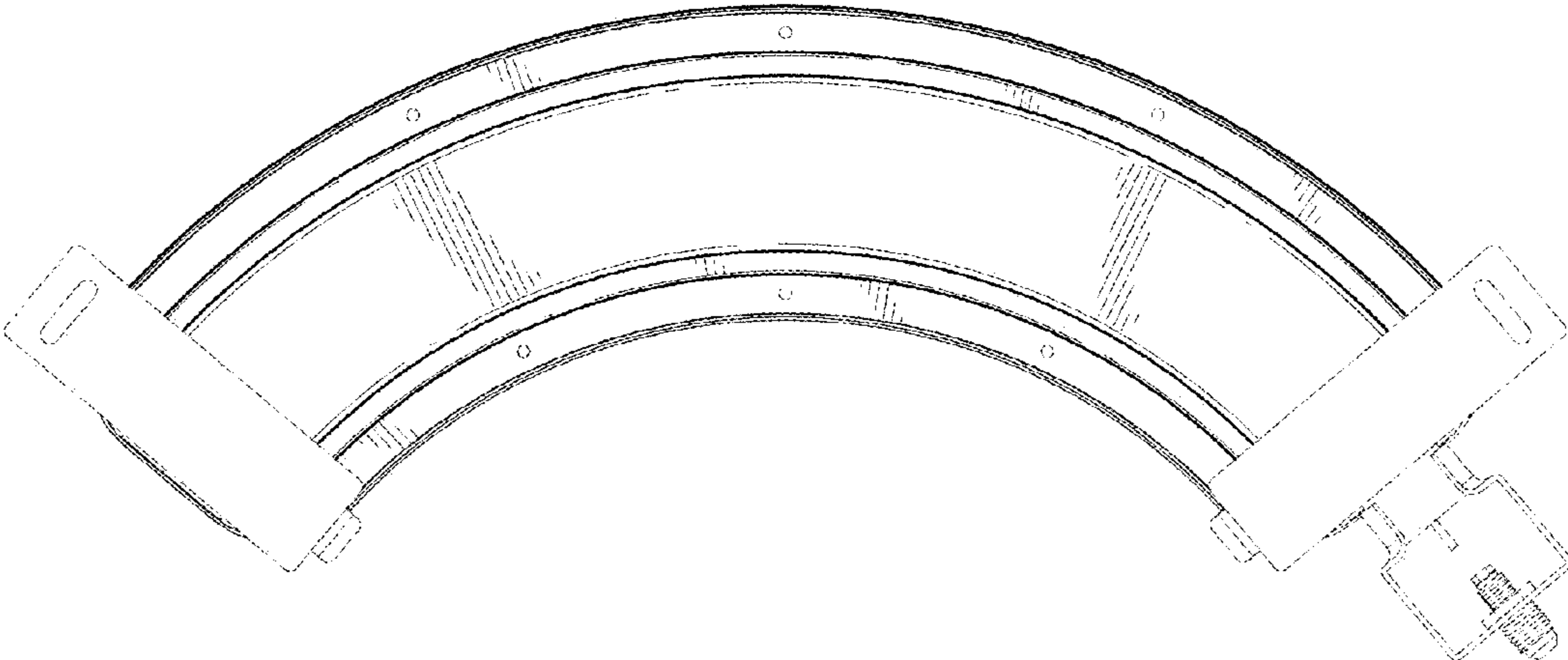


FIG. 3

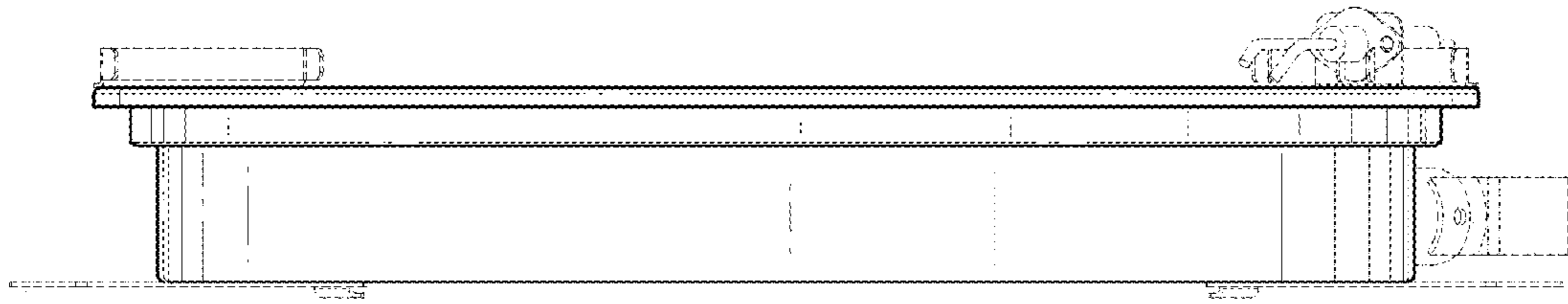


FIG. 4

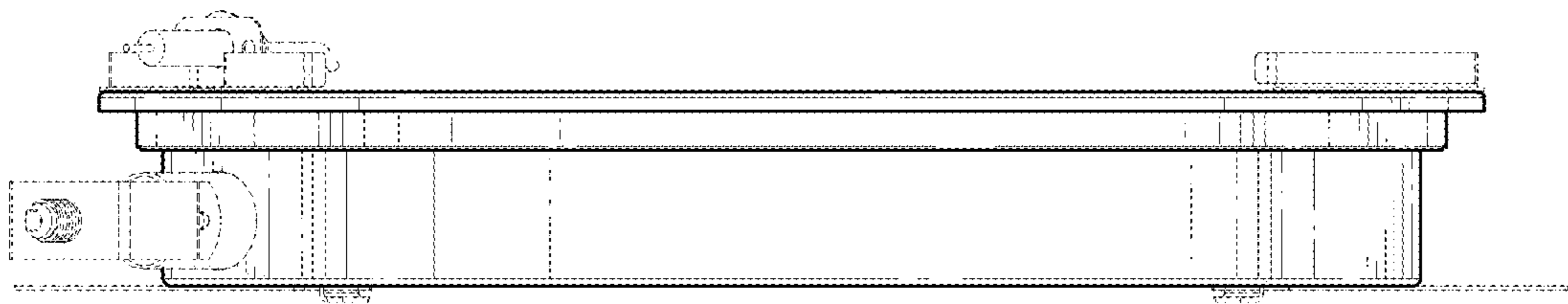


FIG. 5

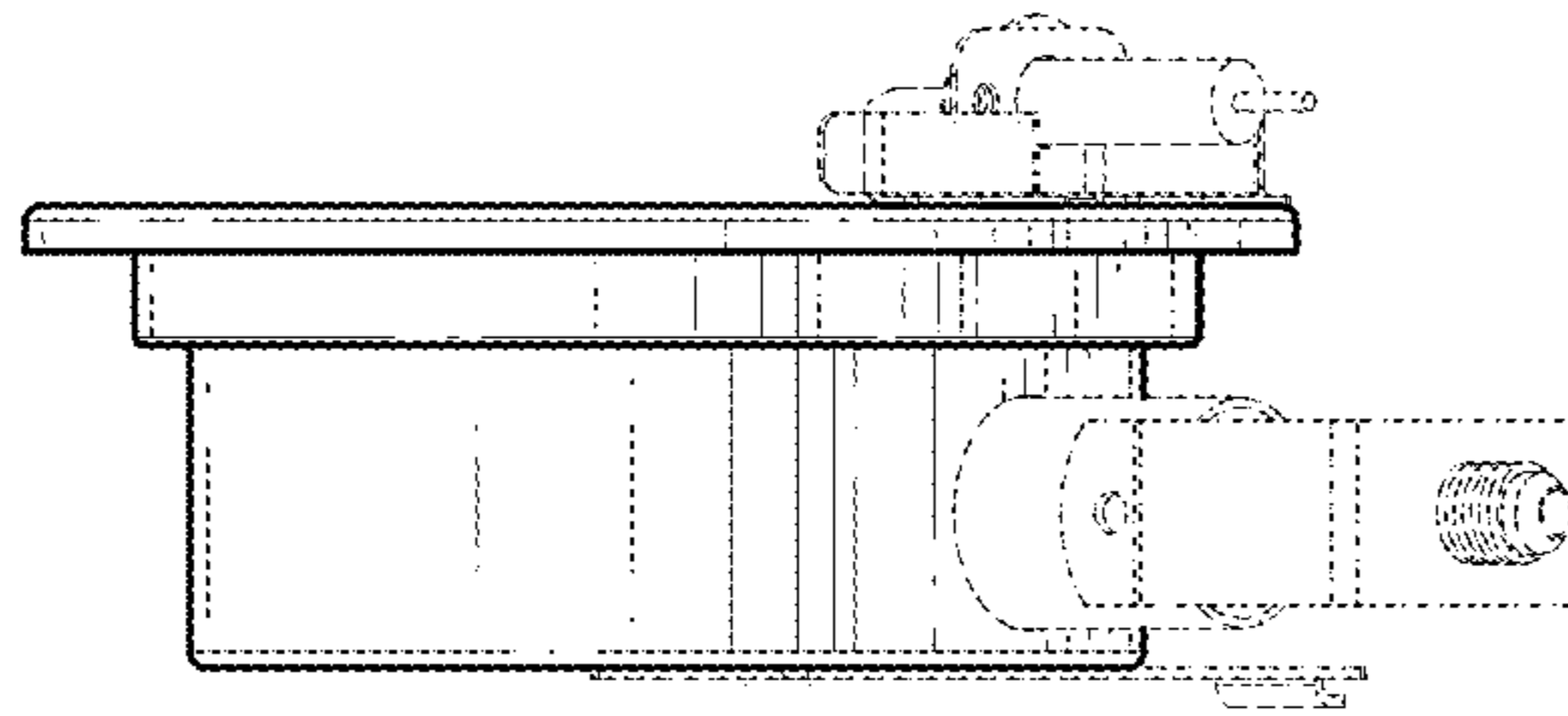


FIG. 6

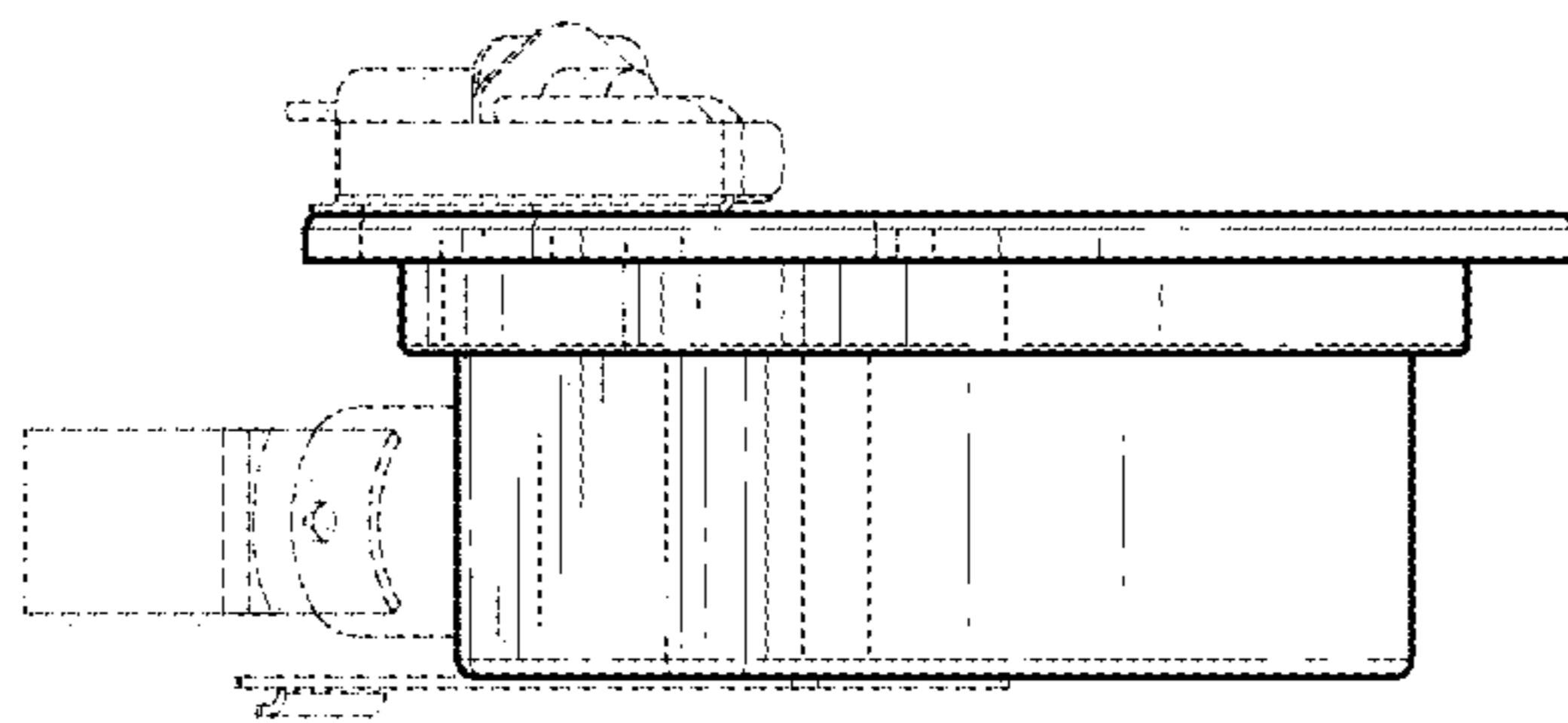


FIG. 7