



US00D682411S

(12) **United States Design Patent**
Cocks et al.

(10) **Patent No.:** **US D682,411 S**
(45) **Date of Patent:** **** May 14, 2013**

(54) **FAN**
(75) Inventors: **Rachele B. Cocks**, Columbia City, IN (US); **Barry M. Benson**, Fort Wayne, IN (US)
(73) Assignee: **RBC Manufacturing Corporation**, Beloit, WI (US)
(**) Term: **14 Years**

6,439,843 B1 8/2002 Finkenbinder
6,522,036 B1 2/2003 Chen
6,955,530 B2 10/2005 Ciccarelli, Jr. et al.
D511,824 S * 11/2005 Chen et al. D23/370
7,567,003 B2 7/2009 Hong et al.
7,589,444 B2 9/2009 Teshima et al.
7,615,897 B2 11/2009 Kinoshita
7,832,981 B2 11/2010 Hasan et al.
D634,833 S * 3/2011 Stagg D23/370
8,007,241 B2 8/2011 Vadillo
D663,411 S * 7/2012 Naya et al. D23/411
D670,803 S * 11/2012 Spaggiari D23/413

(21) Appl. No.: **29/430,648**
(22) Filed: **Aug. 28, 2012**
(51) **LOC (9) Cl.** **23-04**
(52) **U.S. Cl.**
USPC **D23/413**
(58) **Field of Classification Search** D23/381-383,
D23/370-379, 385-388, 393, 394, 399, 411-414,
D23/355, 356; 454/237-253, 186, 228-236;
52/302.1; 417/423.1, 423.14; 415/182.1,
415/200, 90; 416/244 R, 246, 247 R; D6/309;
D21/430, 436, 442, 447, 450, 453, 458
See application file for complete search history.

* cited by examiner

Primary Examiner — Robert M Spear
Assistant Examiner — Janice Hallmark
(74) *Attorney, Agent, or Firm* — Armstrong Teasdale LLP

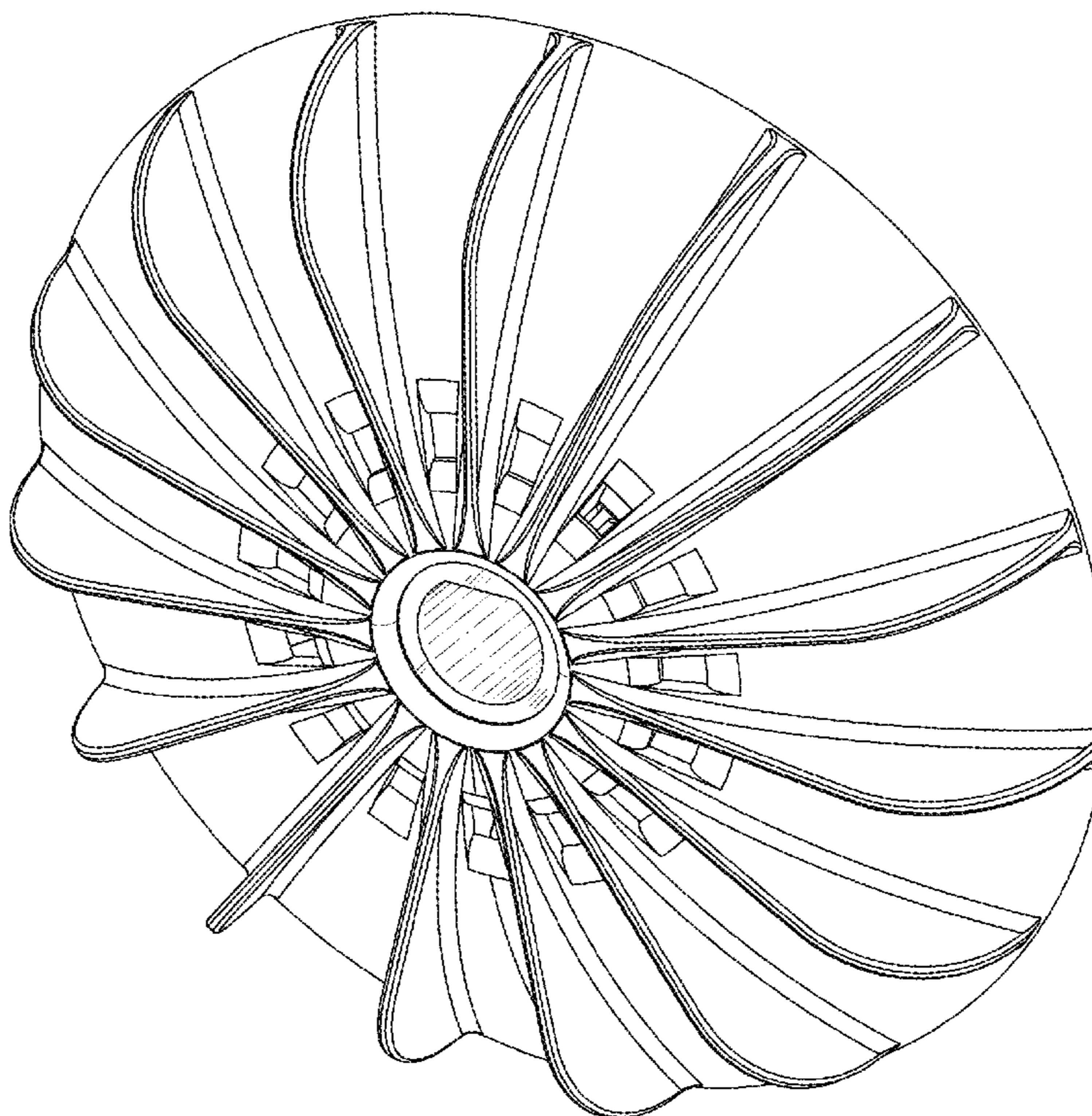
(57) **CLAIM**
We claim the ornamental design for a fan, as shown and described.

DESCRIPTION

FIG. 1 is a front perspective view of a fan, showing our new design;
FIG. 2 is a rear perspective view of the fan as shown in FIG. 1;
FIG. 3 is a front view of the fan as shown in FIG. 1;
FIG. 4 is a rear view of the fan as shown in FIG. 1;
FIG. 5 is a right side view of the fan as shown in FIG. 1;
FIG. 6 is a left side view of the fan as shown in FIG. 1;
FIG. 7 is a top view of the fan as shown in FIG. 1; and,
FIG. 8 is a bottom view of the fan as shown in FIG. 1.

(56) **References Cited**
U.S. PATENT DOCUMENTS
4,670,677 A 6/1987 Snider et al.
4,684,835 A 8/1987 Kline, Jr. et al.
5,476,366 A 12/1995 Weihsmann
6,294,852 B1 9/2001 Lee
D451,595 S * 12/2001 Chen et al. D23/412

1 Claim, 8 Drawing Sheets



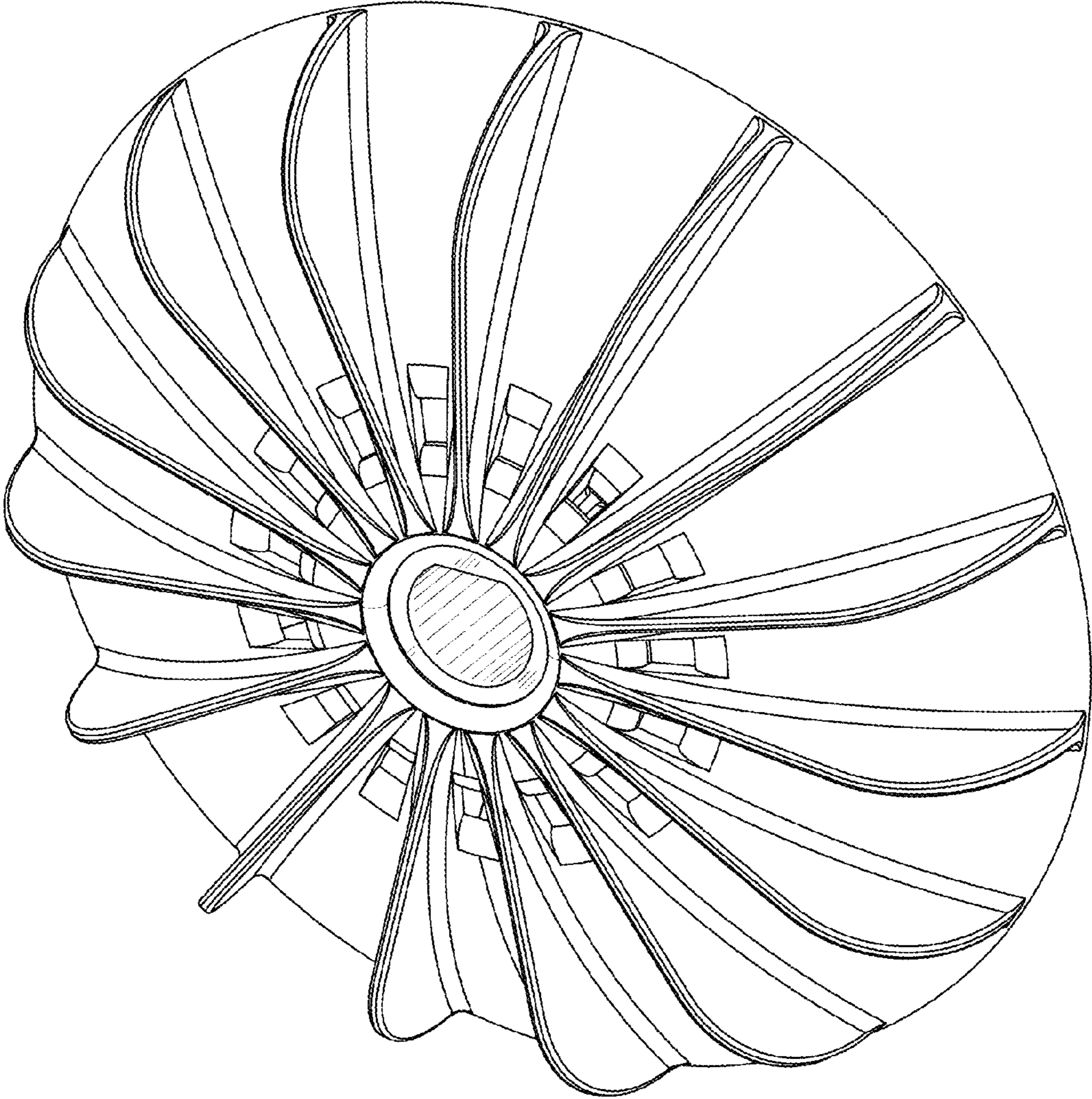


FIG. 1

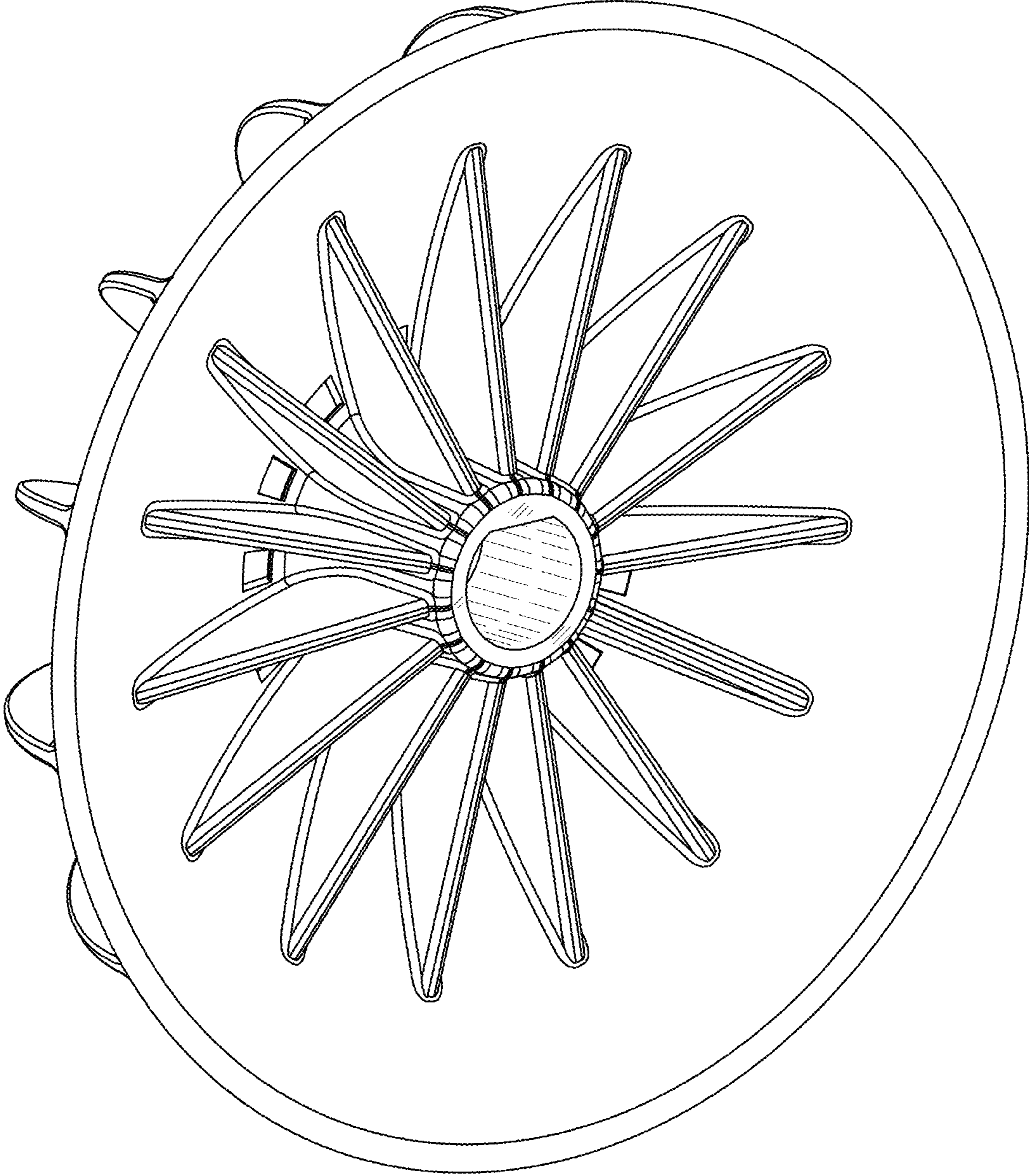


FIG. 2

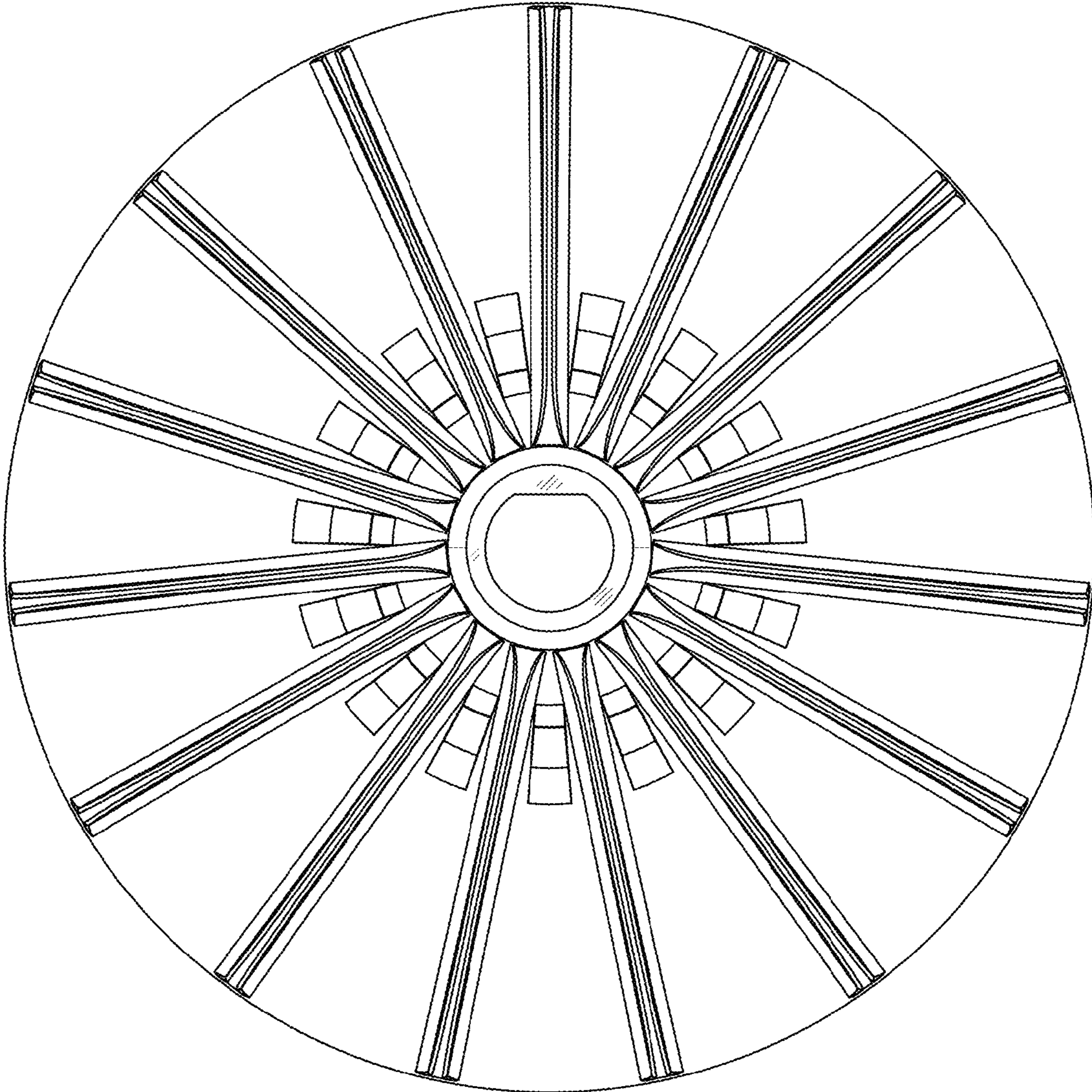


FIG. 3

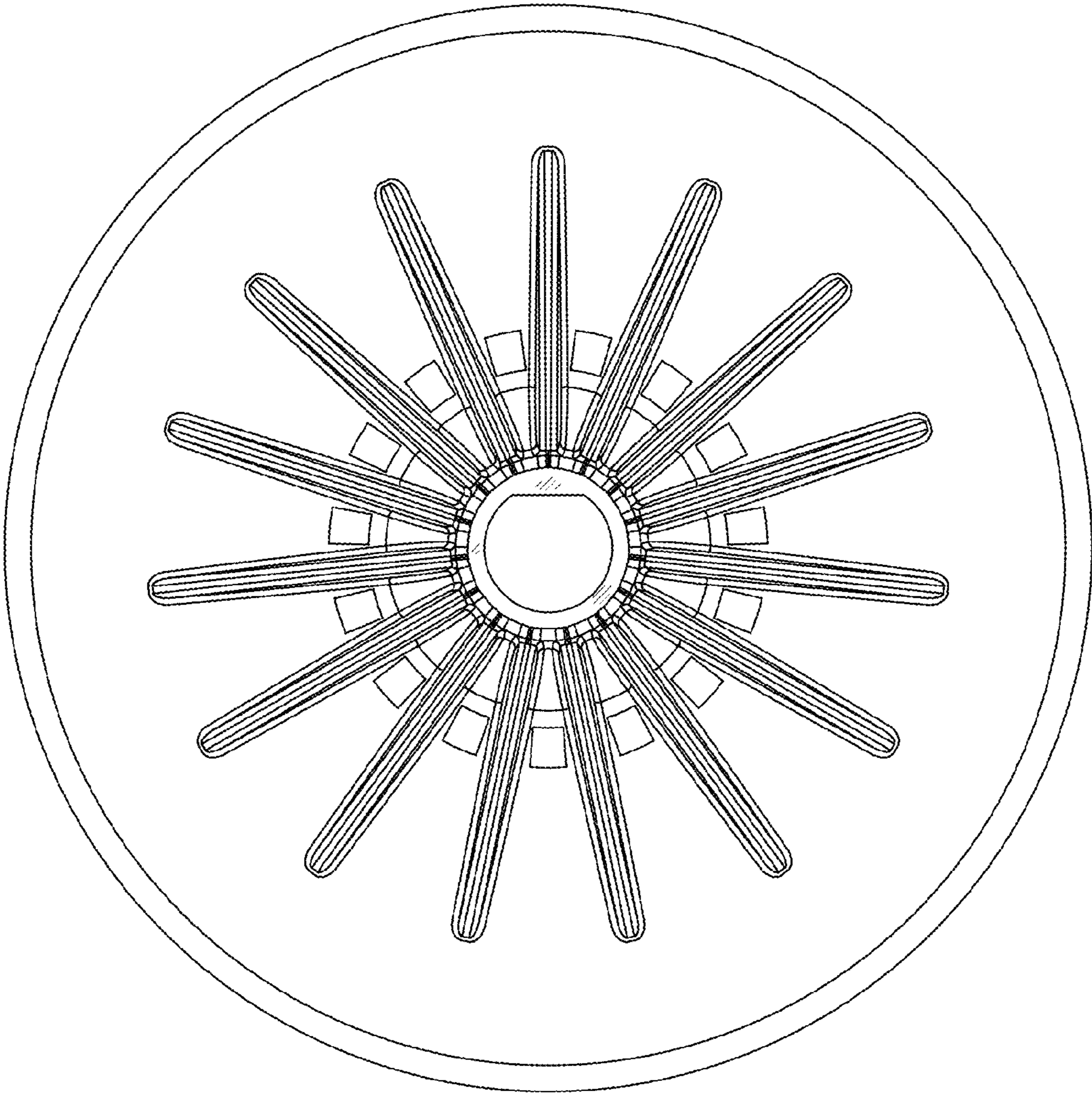


FIG. 4

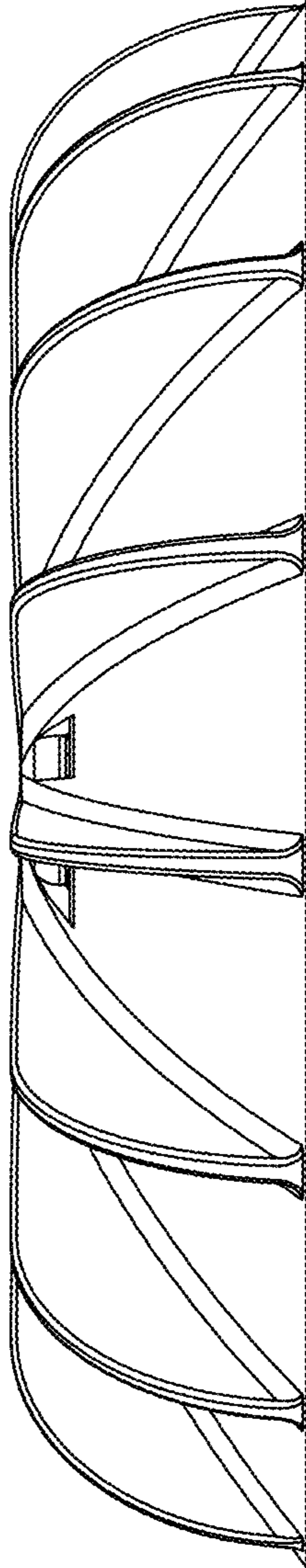


FIG. 5

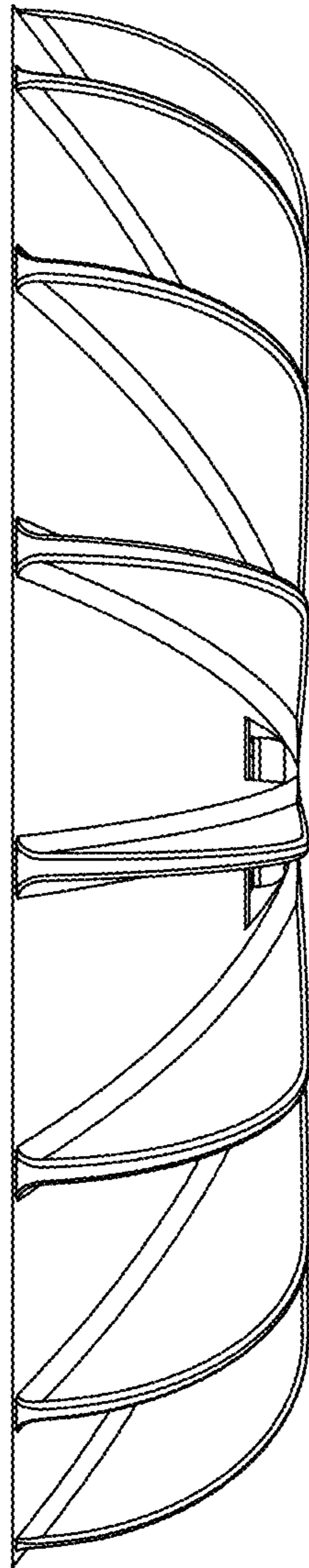


FIG. 6

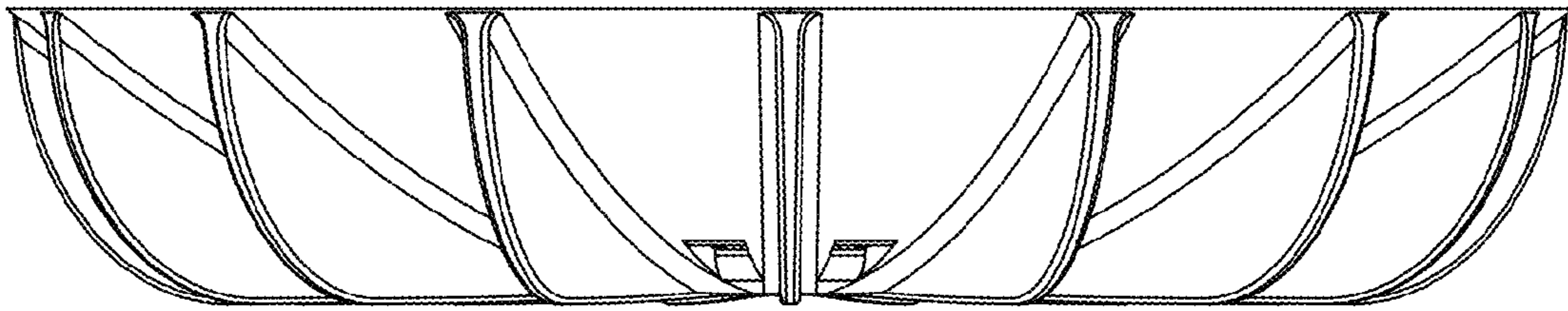


FIG. 7

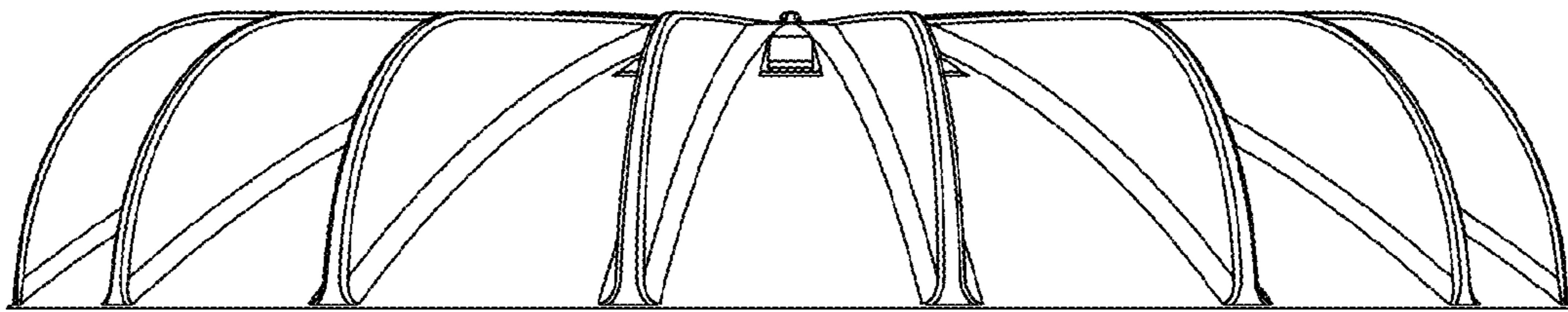


FIG. 8

UNITED STATES PATENT AND TRADEMARK OFFICE
CERTIFICATE OF CORRECTION

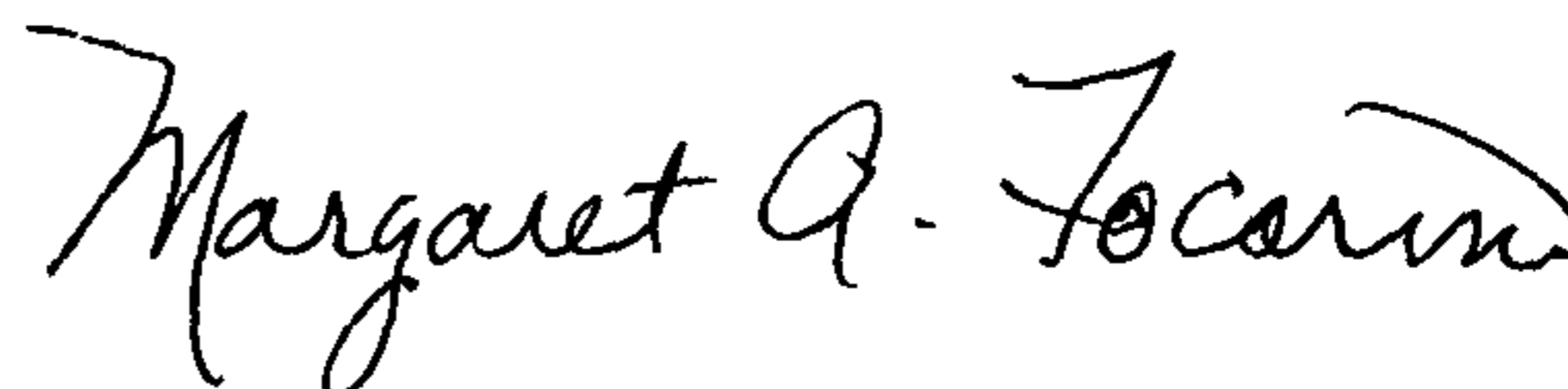
PATENT NO. : D682,411 S
APPLICATION NO. : 29/430648
DATED : May 14, 2013
INVENTOR(S) : Cocks et al.

Page 1 of 1

It is certified that error appears in the above-identified patent and that said Letters Patent is hereby corrected as shown below:

On Title Page, in item [73] Assignee delete "RBC Manufacturing Corporation" and insert therefor
-- Regal Beloit America, Inc. --.

Signed and Sealed this
Seventh Day of January, 2014



Margaret A. Focarino
Commissioner for Patents of the United States Patent and Trademark Office