



US00D682410S

(12) **United States Design Patent**  
**Hester**

(10) **Patent No.:** **US D682,410 S**

(45) **Date of Patent:** **\*\* May 14, 2013**

(54) **EXPANDABLE WOOD HOLDER**

(75) Inventor: **James Hester**, Marmaduke, AR (US)

(73) Assignee: **L.A. Darling Company LLC**,  
Paragould, AR (US)

(\*\*) Term: **14 Years**

(21) Appl. No.: **29/418,132**

(22) Filed: **Apr. 12, 2012**

(51) **LOC (9) Cl.** ..... **23-03**

(52) **U.S. Cl.**  
USPC ..... **D23/410**

(58) **Field of Classification Search** ..... D23/403-406,  
D23/409, 410, 422, 499, 345, 347, 349; D7/402,  
D7/407, 417; 40/428, 798; 44/520, 530;  
52/36.3; 126/25 B, 298, 500, 512, 540, 543,  
126/544, 548, 555; 160/DIG. 9; 431/263,  
431/273, 329

See application file for complete search history.

(56) **References Cited**

U.S. PATENT DOCUMENTS

126,273	A *	4/1872	Dee et al.	126/298
732,037	A *	6/1903	Best	294/167
3,187,901	A *	6/1965	Wilson	211/49.1
D235,728	S *	7/1975	Parziale	D23/410
D243,504	S *	3/1977	Morrison	D23/410
4,355,725	A *	10/1982	Humphrey	211/49.1
4,528,974	A *	7/1985	Nakamura et al.	126/201
4,616,757	A *	10/1986	Hobson	211/189
D289,080	S *	3/1987	Einsel	D23/410
5,651,467	A *	7/1997	Moran, III	211/49.1
5,743,413	A *	4/1998	Noll	211/60.1
6,036,032	A *	3/2000	Moscatelli	211/60.1
D423,662	S *	4/2000	Mele	D23/410
6,290,073	B1 *	9/2001	Barnes et al.	211/60.1
6,997,332	B1 *	2/2006	Alexander et al.	211/60.1
D642,671	S *	8/2011	Alexander	D23/410

OTHER PUBLICATIONS

“Rack Log Adjustable” by HY-C at Amazon at [http://www.amazon.com/HY-C-SLRA-Rack-Log-Adjustable/dp/B000DZVVR4/ref=sr\\_1\\_3?ie=UTF8&qid=1338999043&sr=8-3](http://www.amazon.com/HY-C-SLRA-Rack-Log-Adjustable/dp/B000DZVVR4/ref=sr_1_3?ie=UTF8&qid=1338999043&sr=8-3) in search of adjustable log rack holders on Jun. 6, 2012.\*

“Landman 82413 4 Feet Log Rack w/32 Mm Tube Keeps Firewood Dry & Off Ground-Rectangle-Steel” at amazon Lawn and Garden at [http://www.amazon.com/Landmann-82413-Keeps-Firewood-Ground-Rectangle-Steel/dp/B005XUUC2/ref=pd\\_sim\\_sbs\\_hg\\_5](http://www.amazon.com/Landmann-82413-Keeps-Firewood-Ground-Rectangle-Steel/dp/B005XUUC2/ref=pd_sim_sbs_hg_5) in search of adjustable log rack holders on Jun. 9, 2012.\*

\* cited by examiner

Primary Examiner — Karen S Acker

(74) Attorney, Agent, or Firm — DLA Piper US LLP;  
Jennifer E. Lacroix, Esq.

(57) **CLAIM**

The ornamental design for an expandable wood holder, as shown and described.

**DESCRIPTION**

FIG. 1 is a perspective view of the expandable wood holder, in a contracted position;

FIG. 2 is a right side elevational view of the expandable wood holder, the left side elevational view being a mirror image thereof;

FIG. 3 is a front elevational view of the expandable wood holder;

FIG. 4 is a rear elevational view of the expandable wood holder;

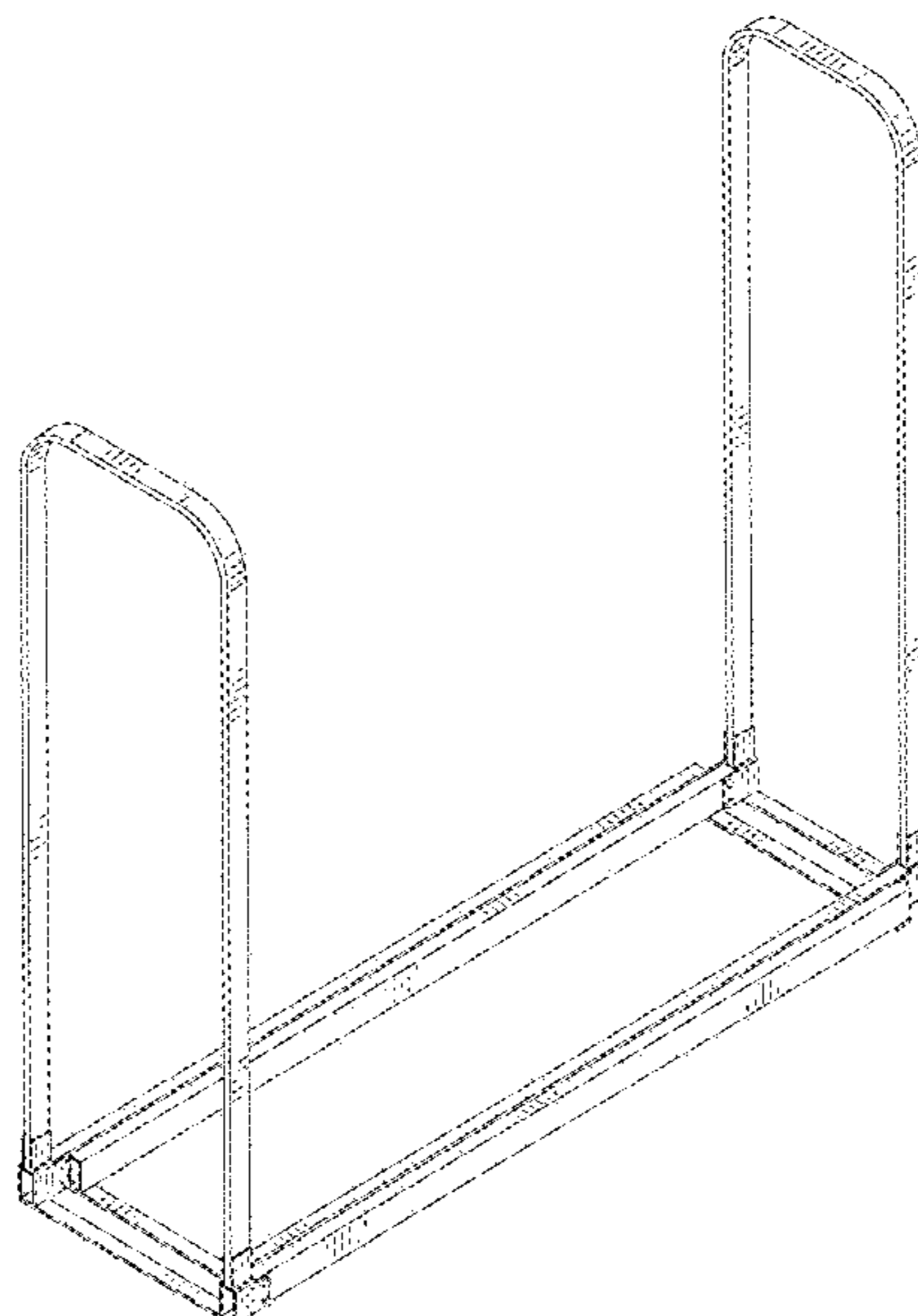
FIG. 5 is a top plan view of the expandable wood holder;

FIG. 6 is a bottom plan view of the expandable wood holder; and,

FIG. 7 is a perspective view of the expandable wood holder, in an expanded position.

The features shown in broken lines in the Figures form no part of the claimed design.

**1 Claim, 4 Drawing Sheets**



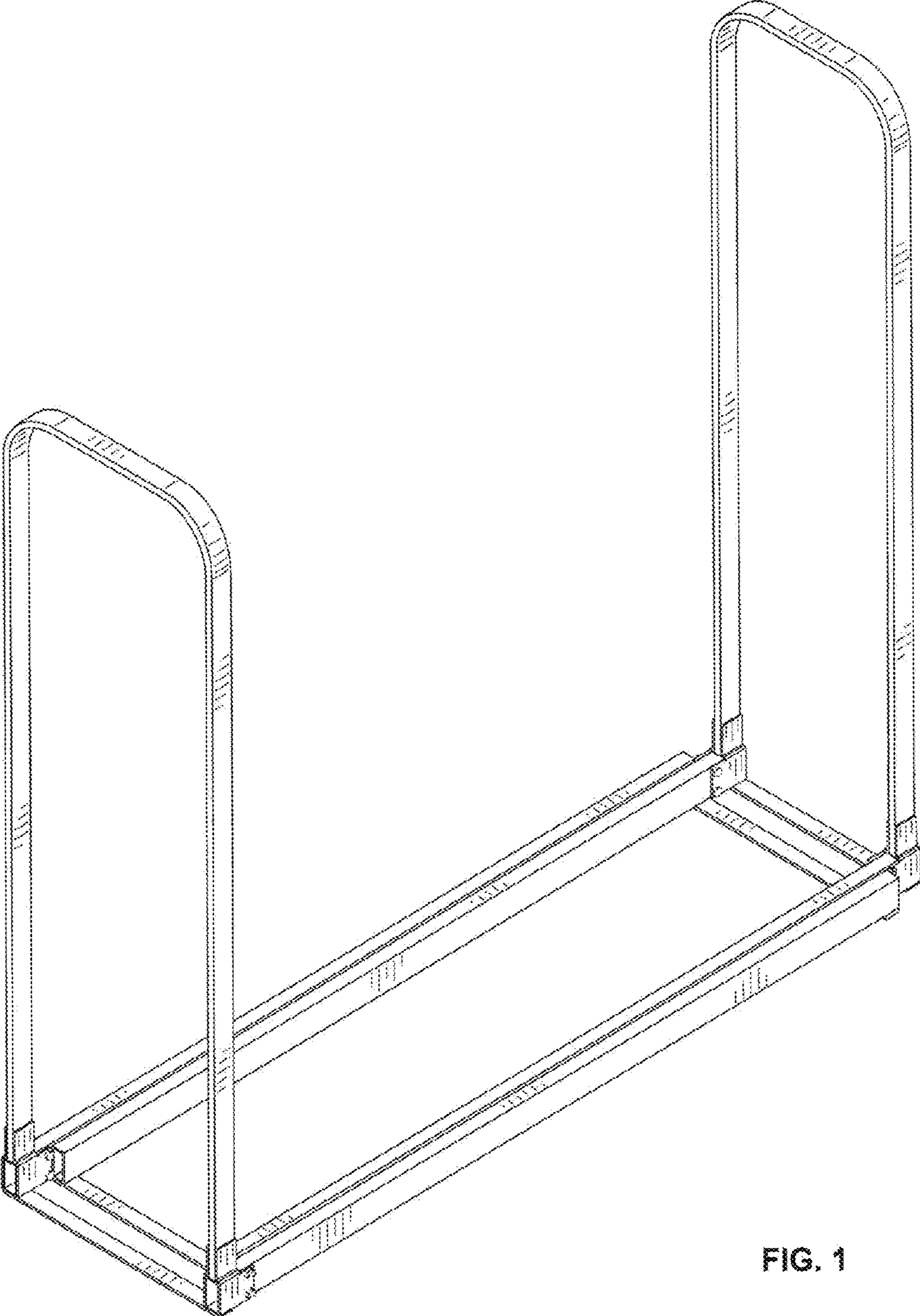


FIG. 1

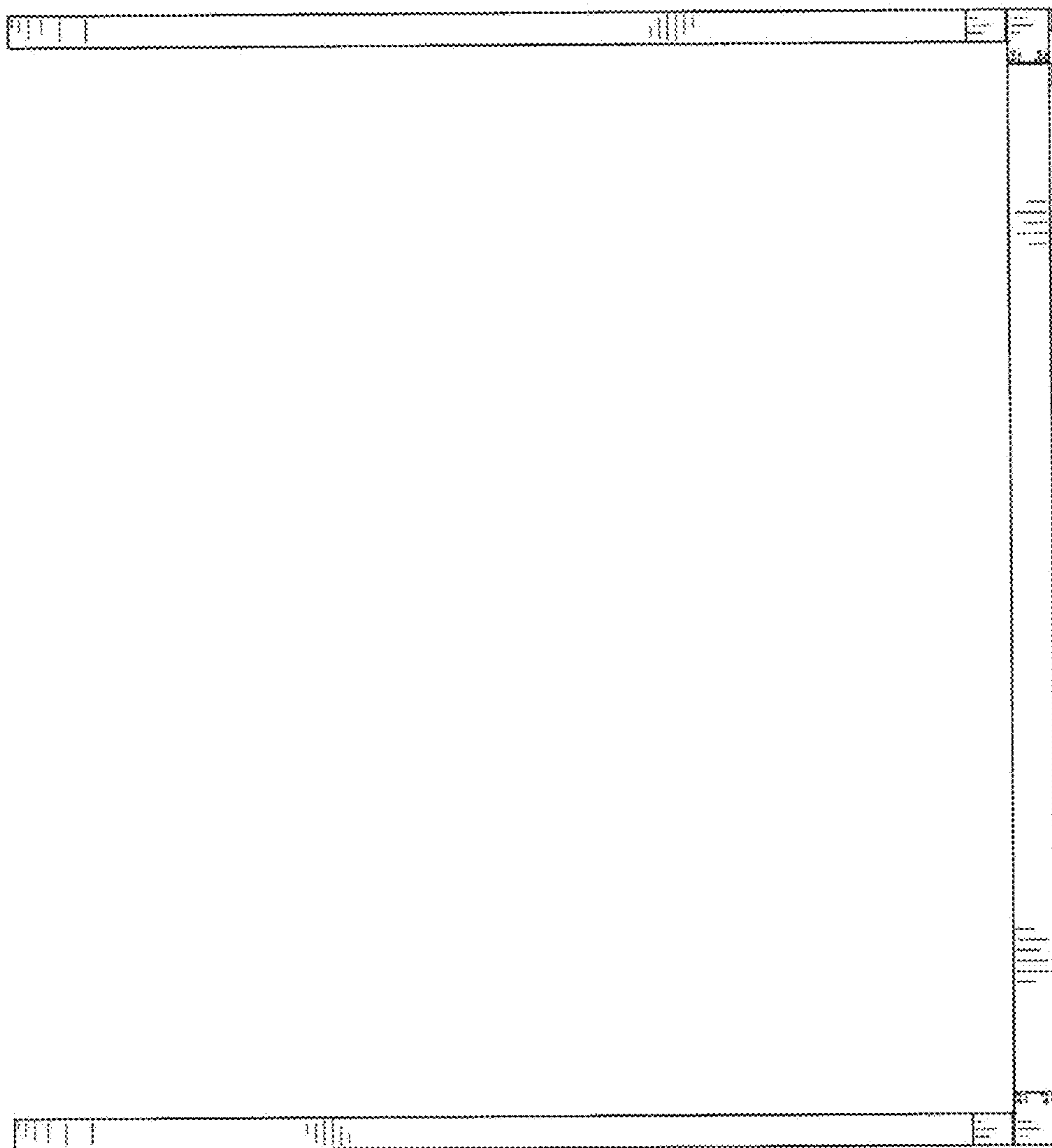


FIG. 2



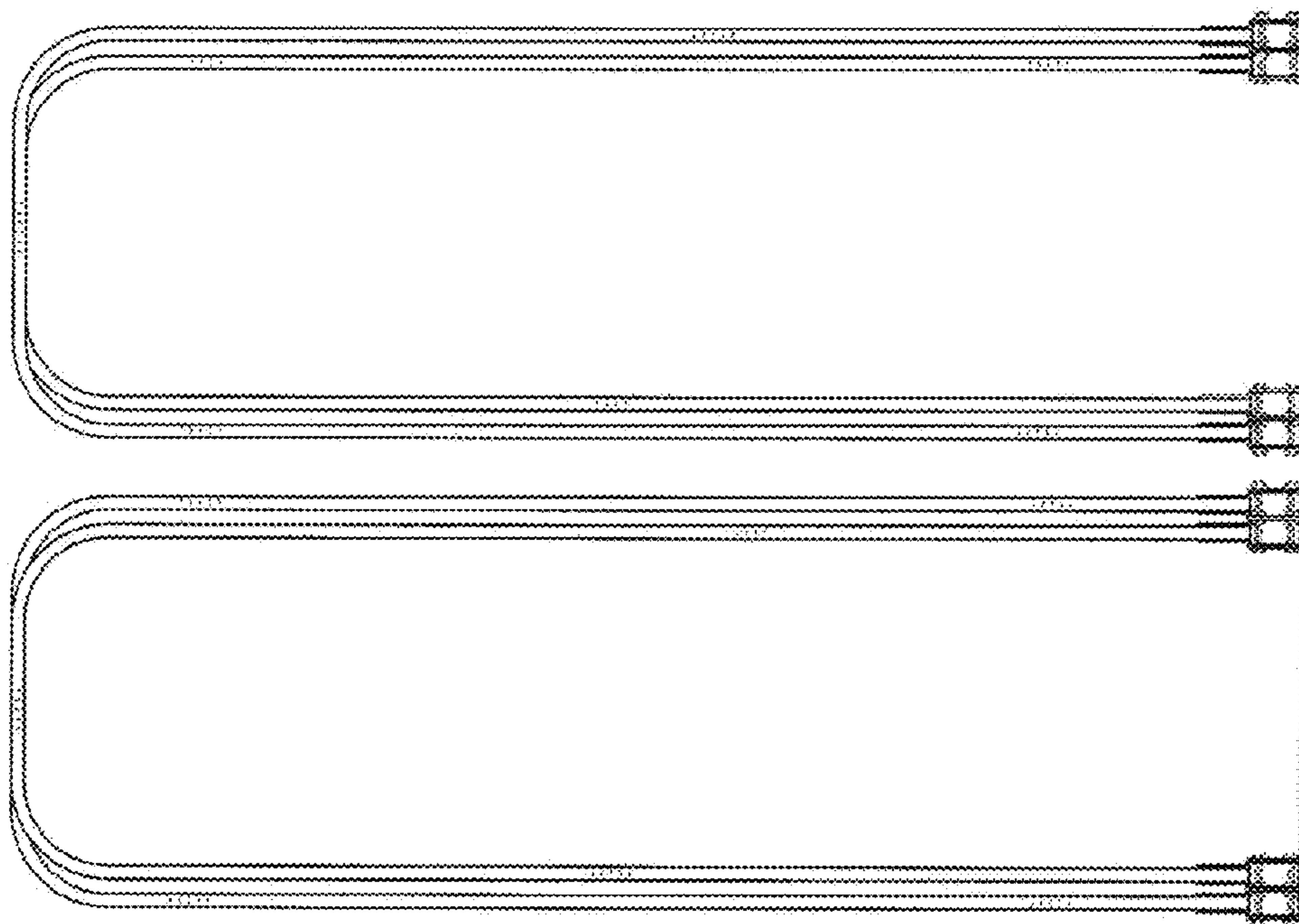


FIG. 3

FIG. 4

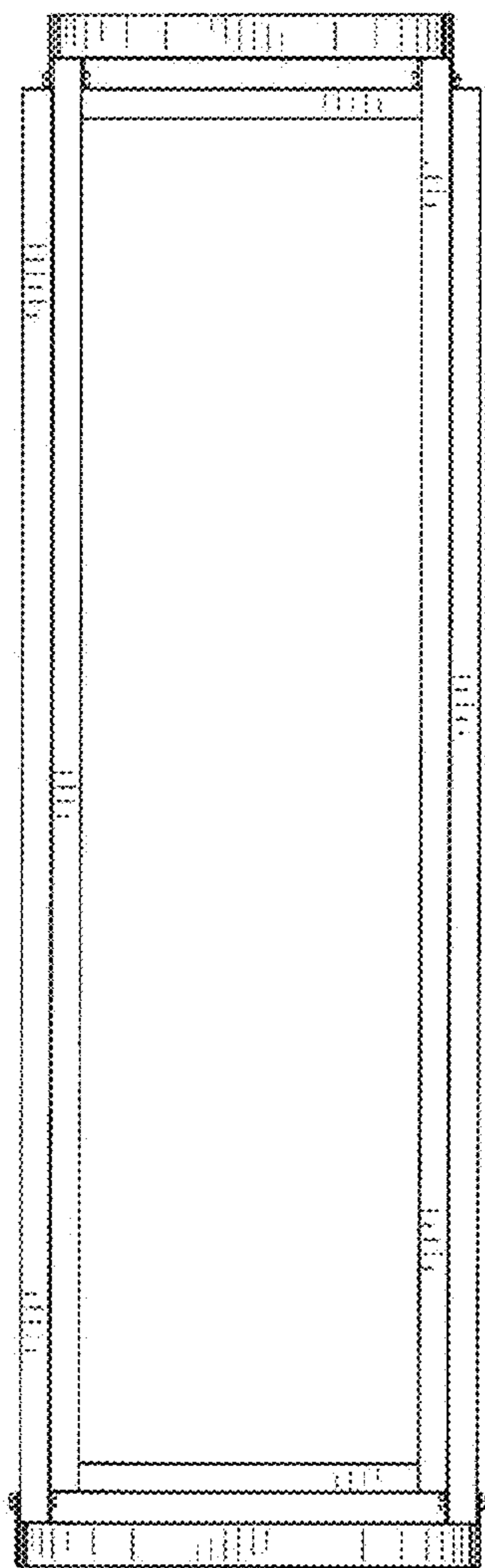


FIG. 5

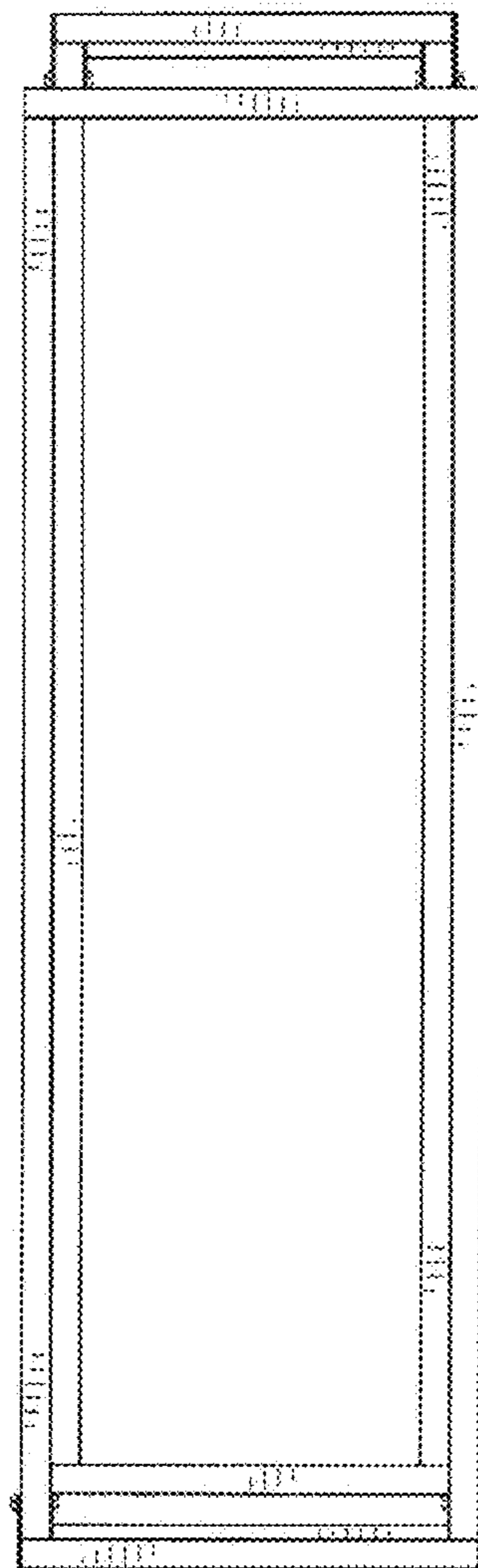


FIG. 6

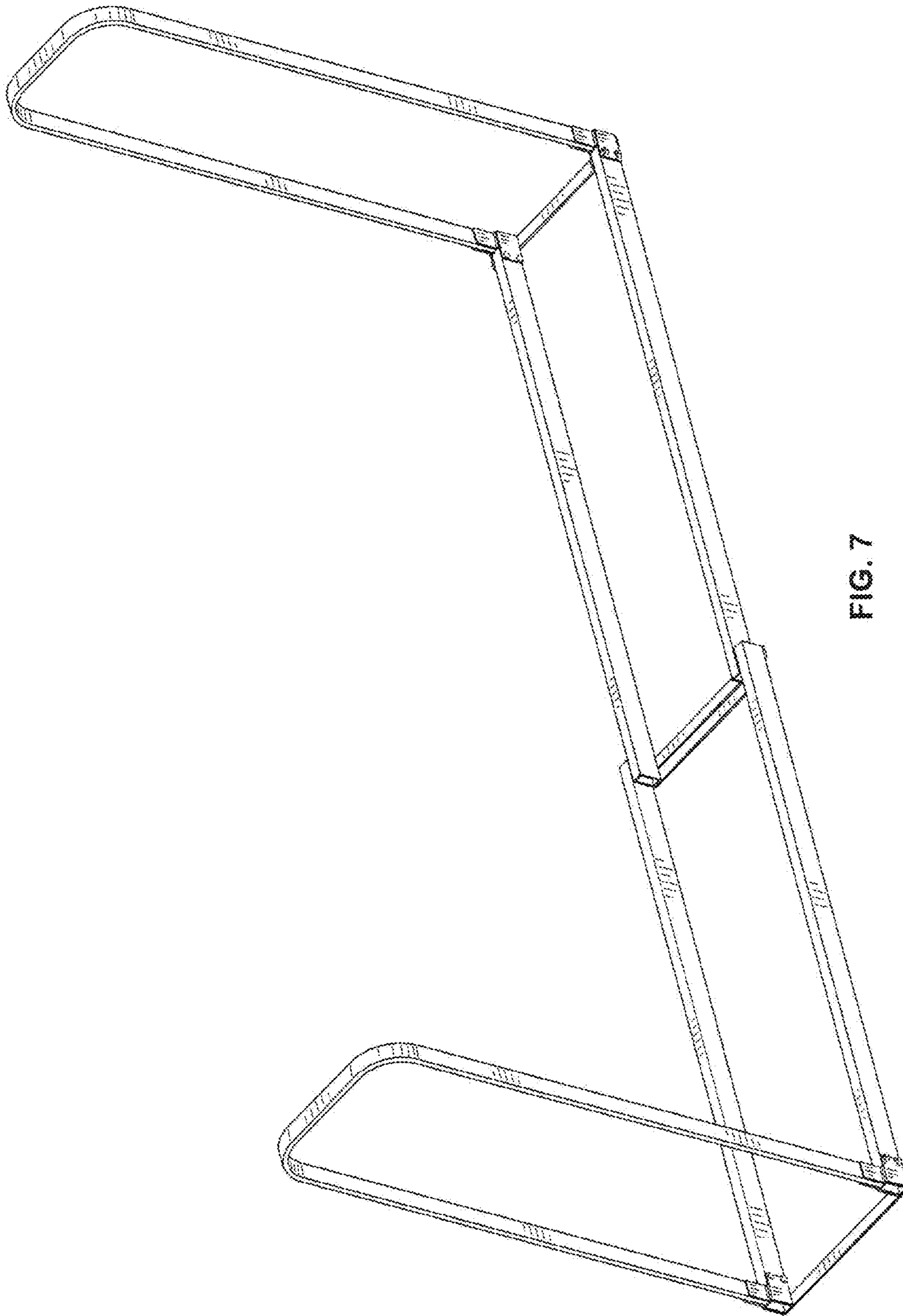


FIG. 7

UNITED STATES PATENT AND TRADEMARK OFFICE  
Certificate

Patent No. D. 682,410 S

Patented: May 14, 2013

On petition requesting issuance of a certificate for correction of inventorship pursuant to 35 U.S.C. 256, it has been found that the above identified patent, through error and without any deceptive intent, improperly sets forth the inventorship.

Accordingly, it is hereby certified that the correct inventorship of this patent is: James Hester, Marmaduke, AR (US) and Randy R. Guthrie, Pocahontas, AR (US).

Signed and Sealed this Seventeenth Day of June 2014.

SUSAN KRAKOWER  
*Supervisory Patent Examiner*  
Art Unit 2917  
Technology Center 2900