



US00D682409S

(12) **United States Design Patent**
Bartolucci et al.

(10) **Patent No.:** **US D682,409 S**
(45) **Date of Patent:** **** May 14, 2013**

- (54) **AIR FRESHENING DEVICE**
- (71) Applicant: **The Procter & Gamble Company,**
Cincinnati, OH (US)
- (72) Inventors: **Stefano Bartolucci,** London (GB);
Victor Ques Ramos, Kraainem (BE);
Ada Ho Yau Ko, Oakland, CA (US)
- (73) Assignee: **The Procter and Gamble Company,**
Cincinnati, OH (US)
- (**) Term: **14 Years**
- (21) Appl. No.: **29/435,955**
- (22) Filed: **Oct. 31, 2012**

D465,019 S	10/2002	Wu	
D480,792 S	10/2003	Millan	
D481,787 S	11/2003	Millan	
D485,340 S	1/2004	Wu	
D485,341 S	1/2004	Wu	
D491,256 S	6/2004	Fellows et al.	
6,773,679 B2	8/2004	Jaworski	
D501,921 S *	2/2005	Caserta et al. D23/366
D507,636 S	7/2005	Baraky	
D510,423 S	10/2005	Caserta et al.	
D512,769 S	12/2005	Wefler	
D516,692 S *	3/2006	Caserta et al. D23/366
D539,892 S *	4/2007	Caserta et al. D23/366
D541,400 S	4/2007	Heijdenrijk	
D580,039 S	11/2008	Zlotnik et al.	
D614,275 S *	4/2010	Davis et al. D23/363
7,857,236 B2	12/2010	Zlotnik et al.	
D647,187 S	10/2011	Chan et al.	
D657,860 S *	4/2012	Sordo et al. D23/366

* cited by examiner

Related U.S. Application Data

- (62) Division of application No. 29/418,551, filed on Apr. 18, 2012.
- (51) **LOC (9) Cl.** **28-99**
- (52) **U.S. Cl.**
USPC **D23/366**
- (58) **Field of Classification Search** D23/355-369;
D28/5, 6; 261/DIG. 17, DIG. 42, DIG. 65,
261/DIG. 88, DIG. 89, DIG. 47, DIG. 55,
261/DIG. 70; 392/356, 390, 392, 394, 395;
239/34, 44, 53, 55, 56, 326, 60, 308
See application file for complete search history.

Primary Examiner — Sandra Snapp

(74) *Attorney, Agent, or Firm* — Amy I Ahn-Roll

(57) **CLAIM**

The ornamental design for an air freshening device, as shown and described.

DESCRIPTION

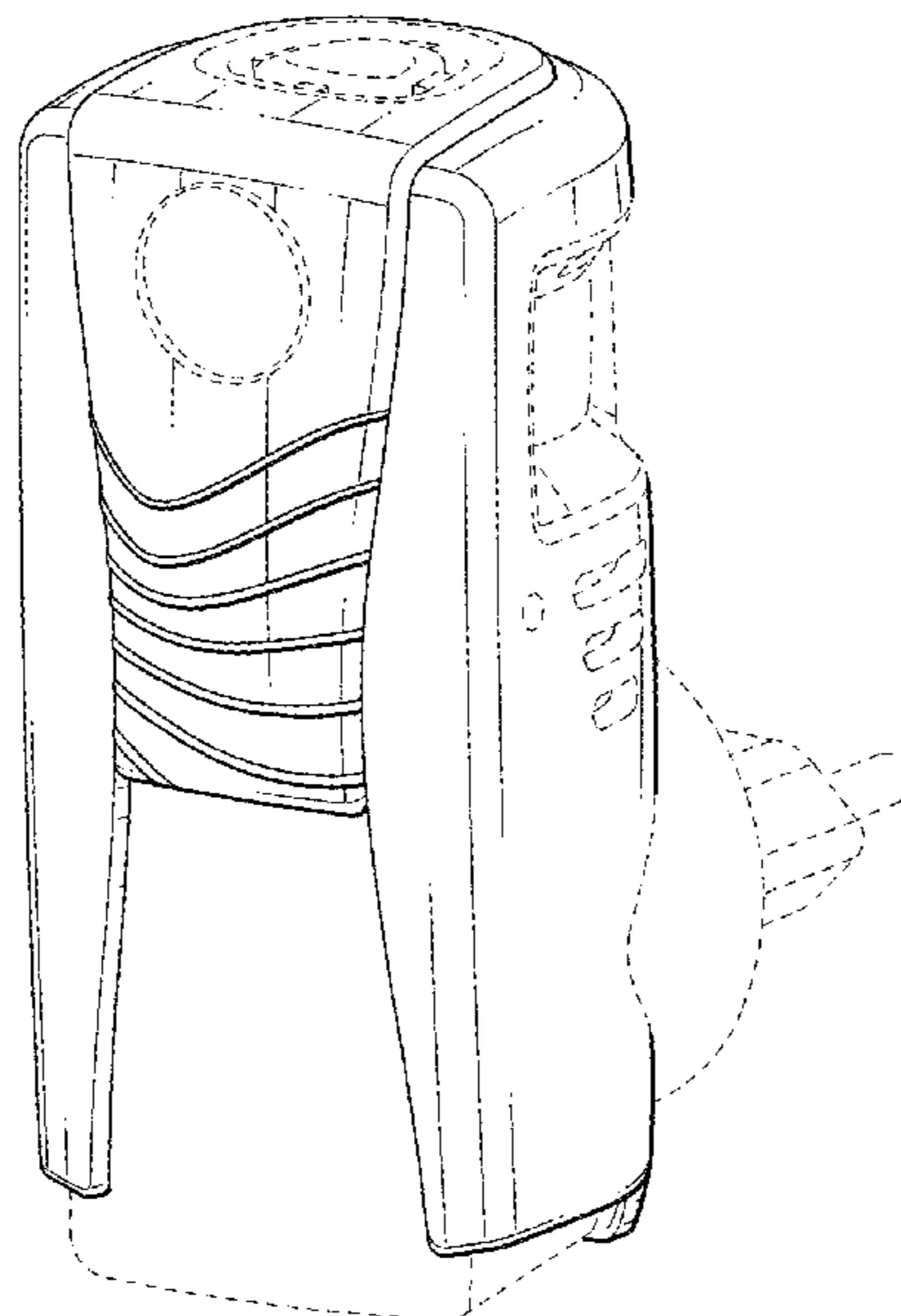
FIG. 1 is a perspective view of an air freshening device, according to the present invention;
 FIG. 2 is a front view thereof;
 FIG. 3 is a right side view thereof;
 FIG. 4 is a rear view thereof;
 FIG. 5 is a left side view thereof;
 FIG. 6 is a top view thereof; and,
 FIG. 7 is a bottom view thereof.
 The broken lines shown in the drawings are for illustrative purposes only and form no part of the claimed design.

1 Claim, 4 Drawing Sheets

(56) **References Cited**

U.S. PATENT DOCUMENTS

4,857,240 A *	8/1989	Kearnes et al. 261/26
6,053,483 A	4/2000	Chen	
D432,222 S	10/2000	Rymer et al.	
D452,955 S	1/2002	Bulsink	
D461,885 S	8/2002	Jordi	



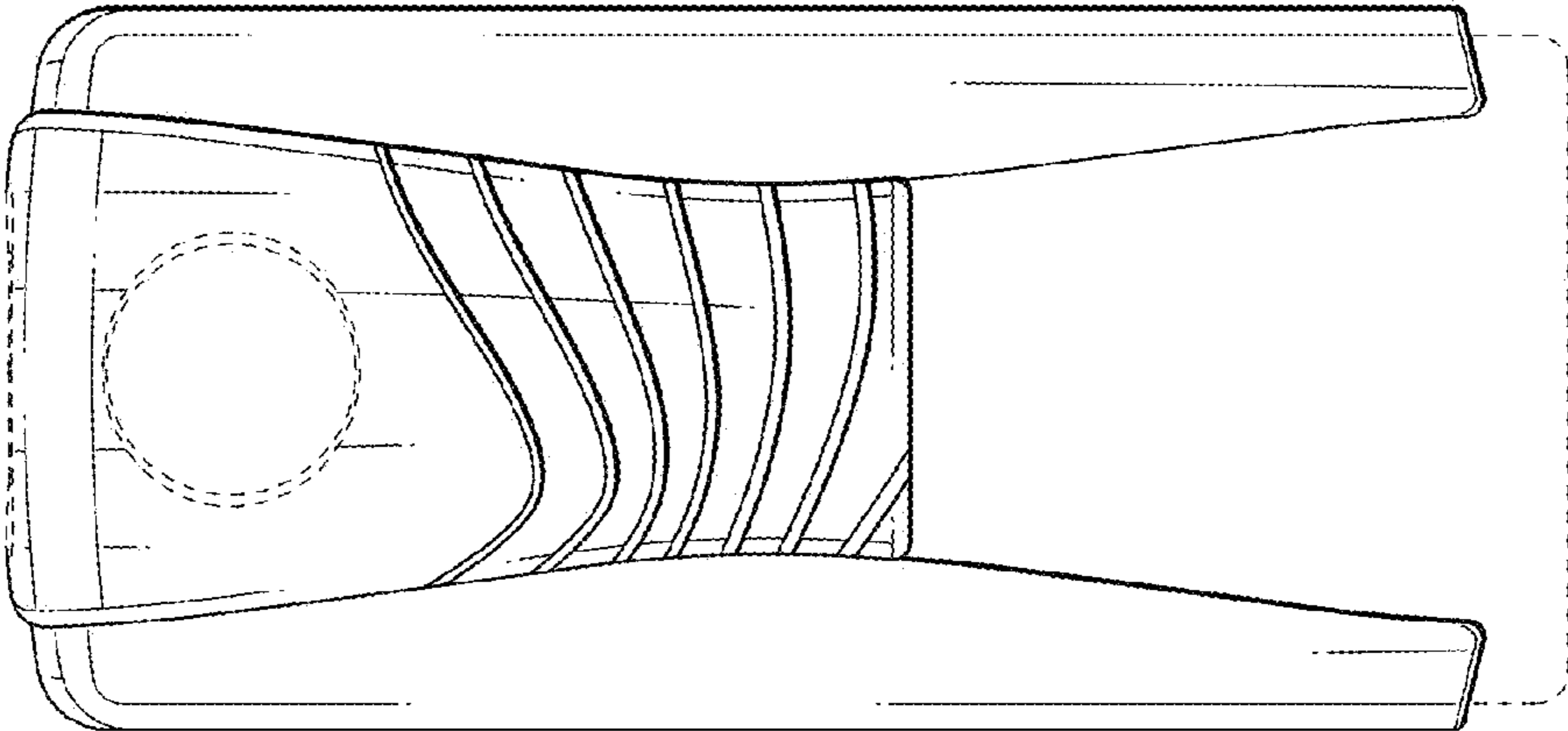


Fig. 2

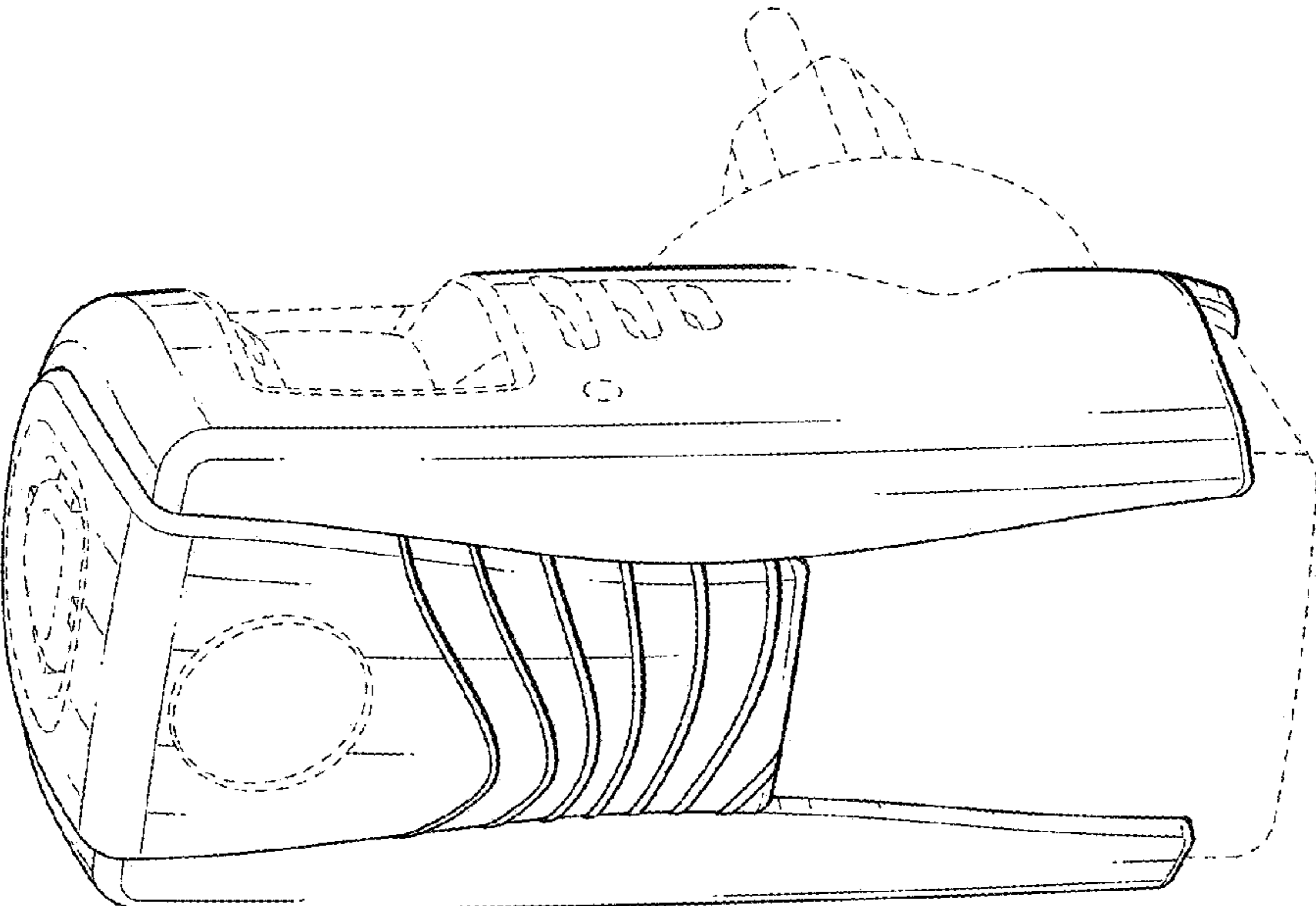


Fig. 1

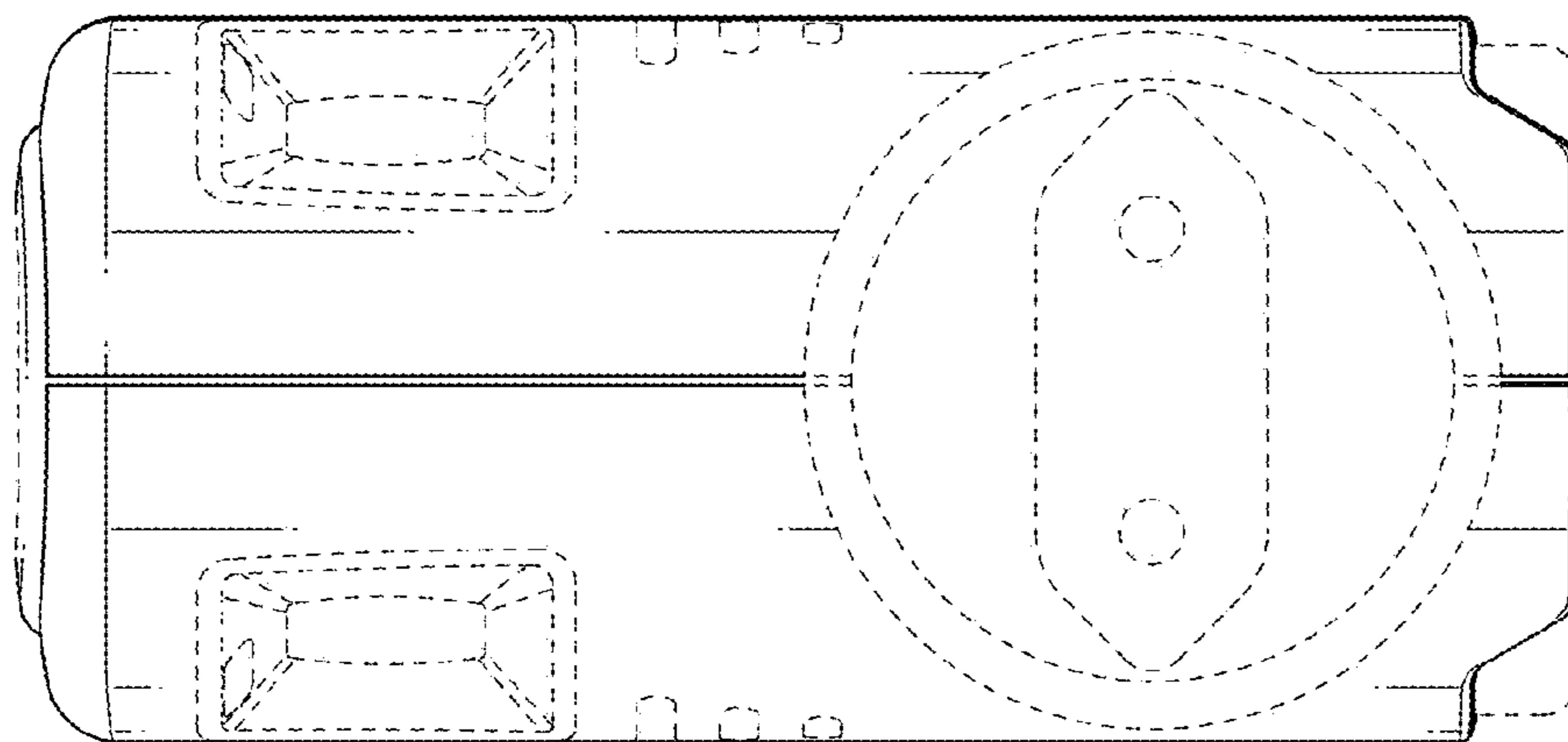


Fig. 4

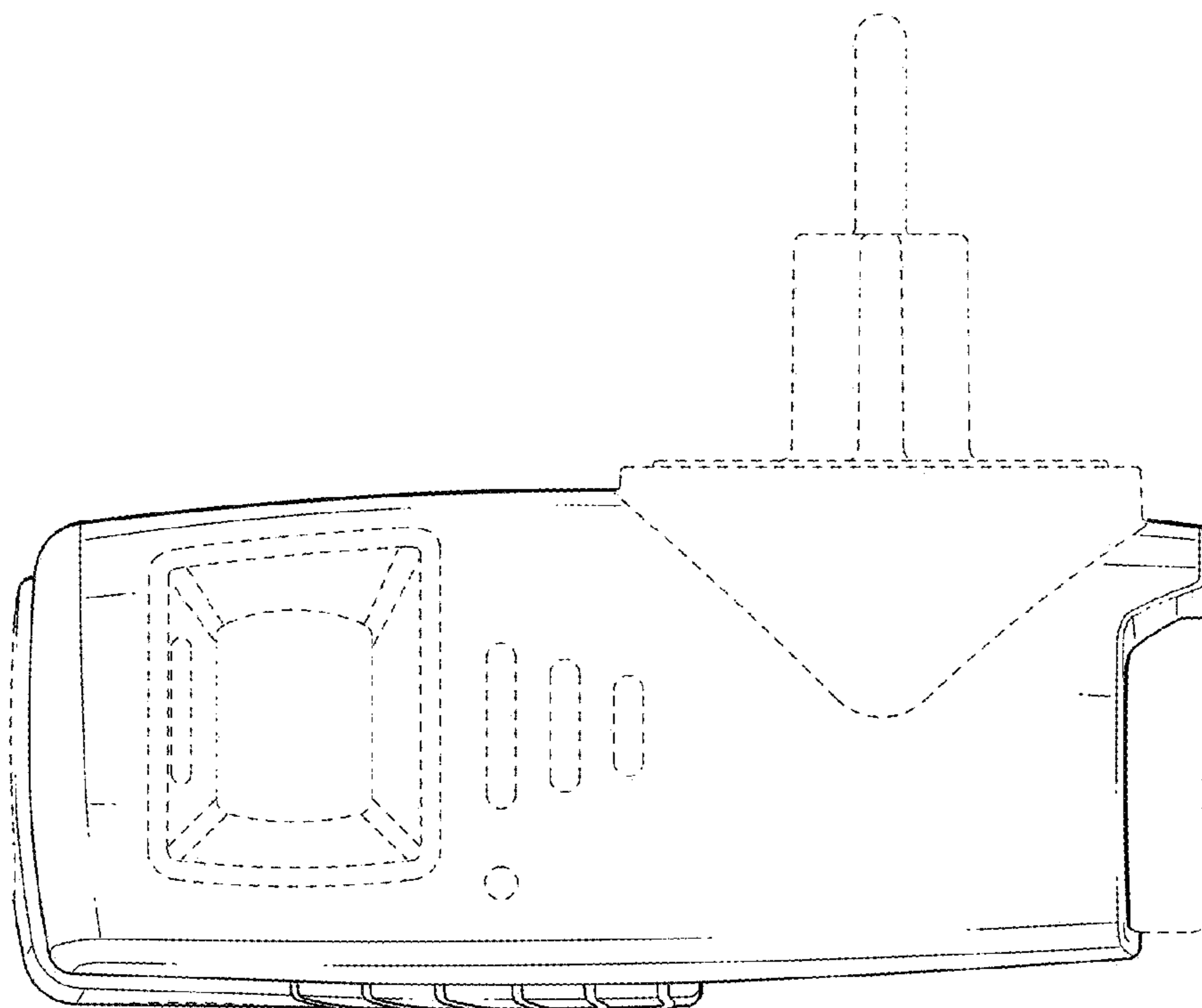


Fig. 3

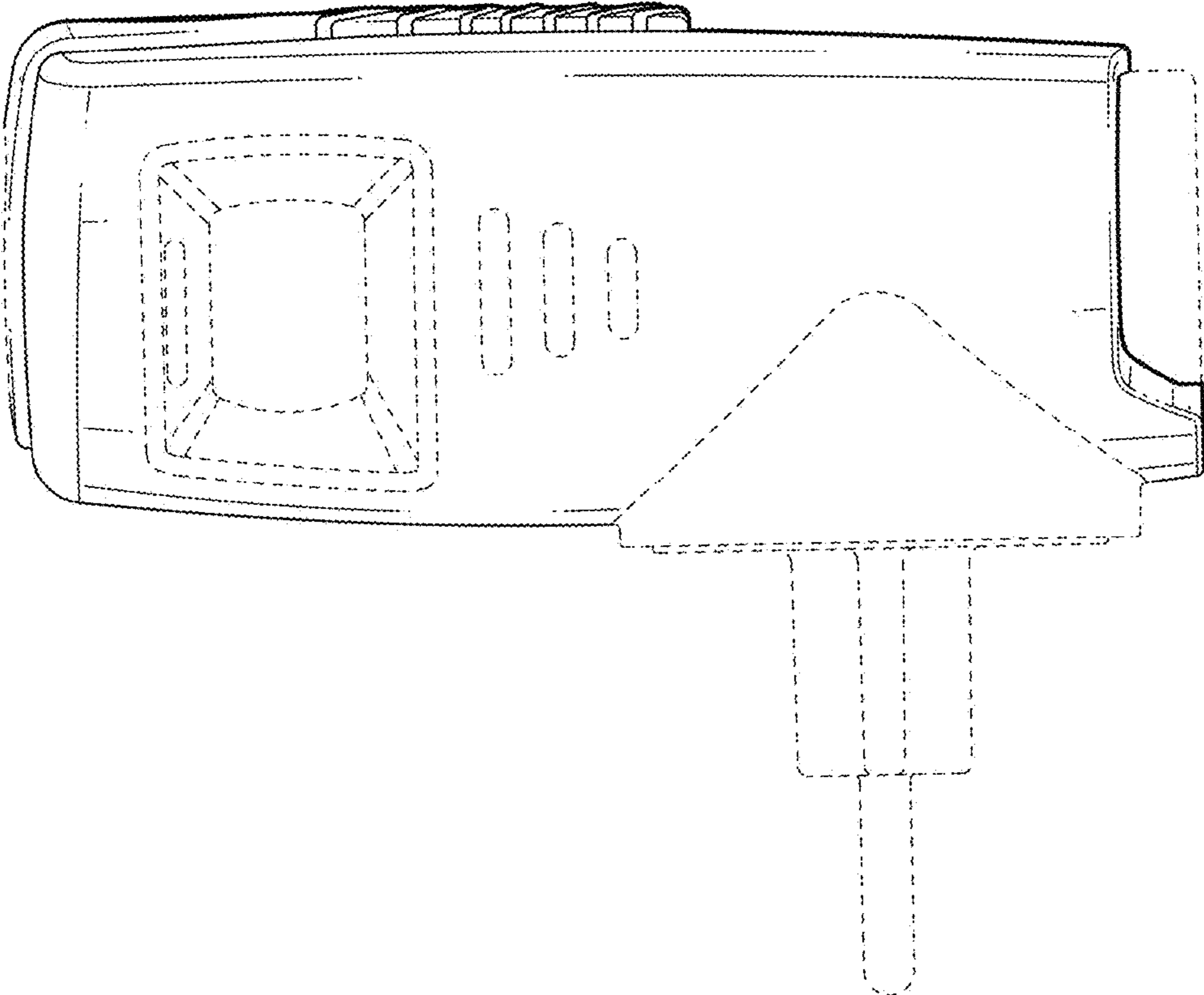


Fig. 5

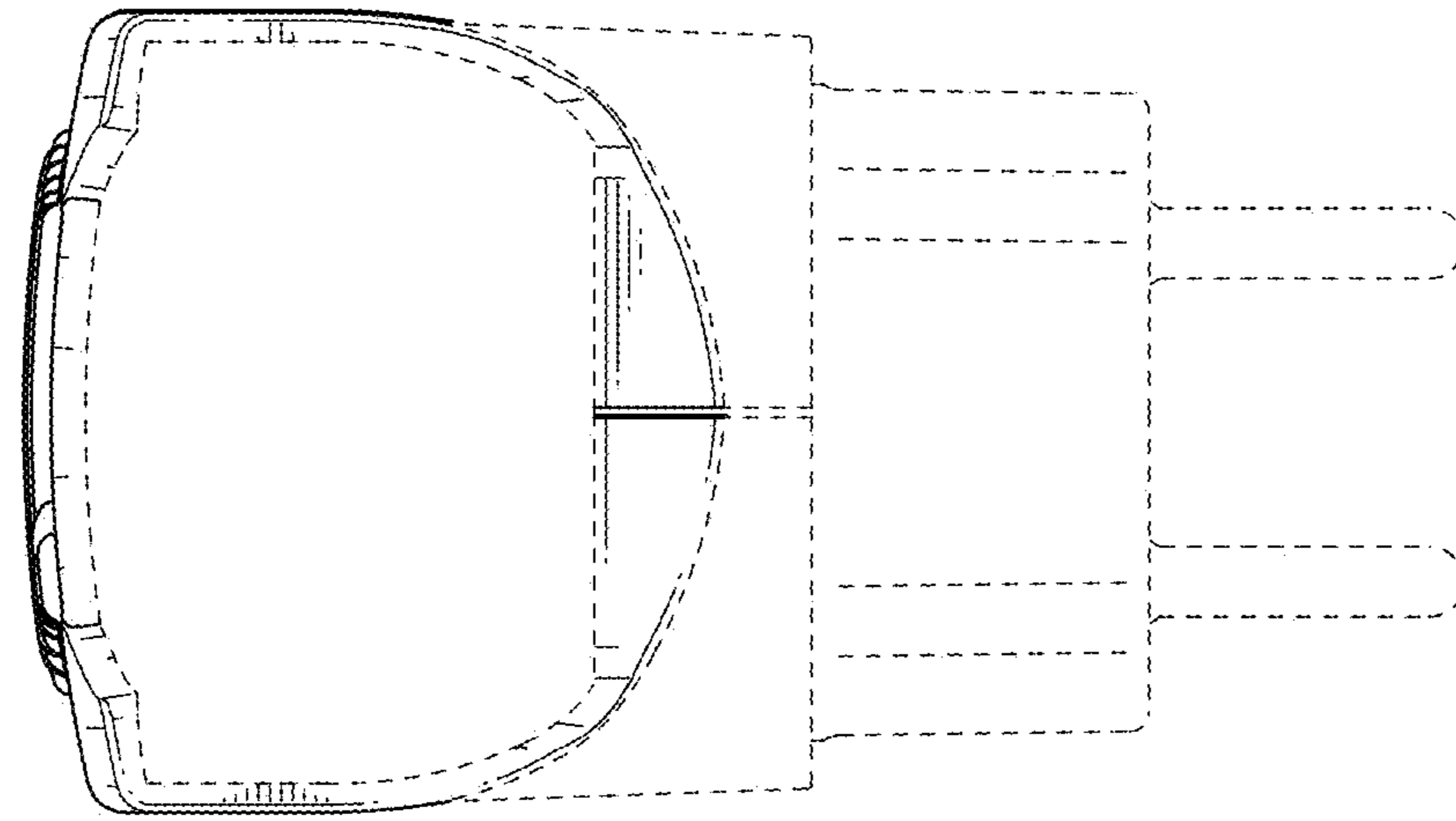


Fig. 6

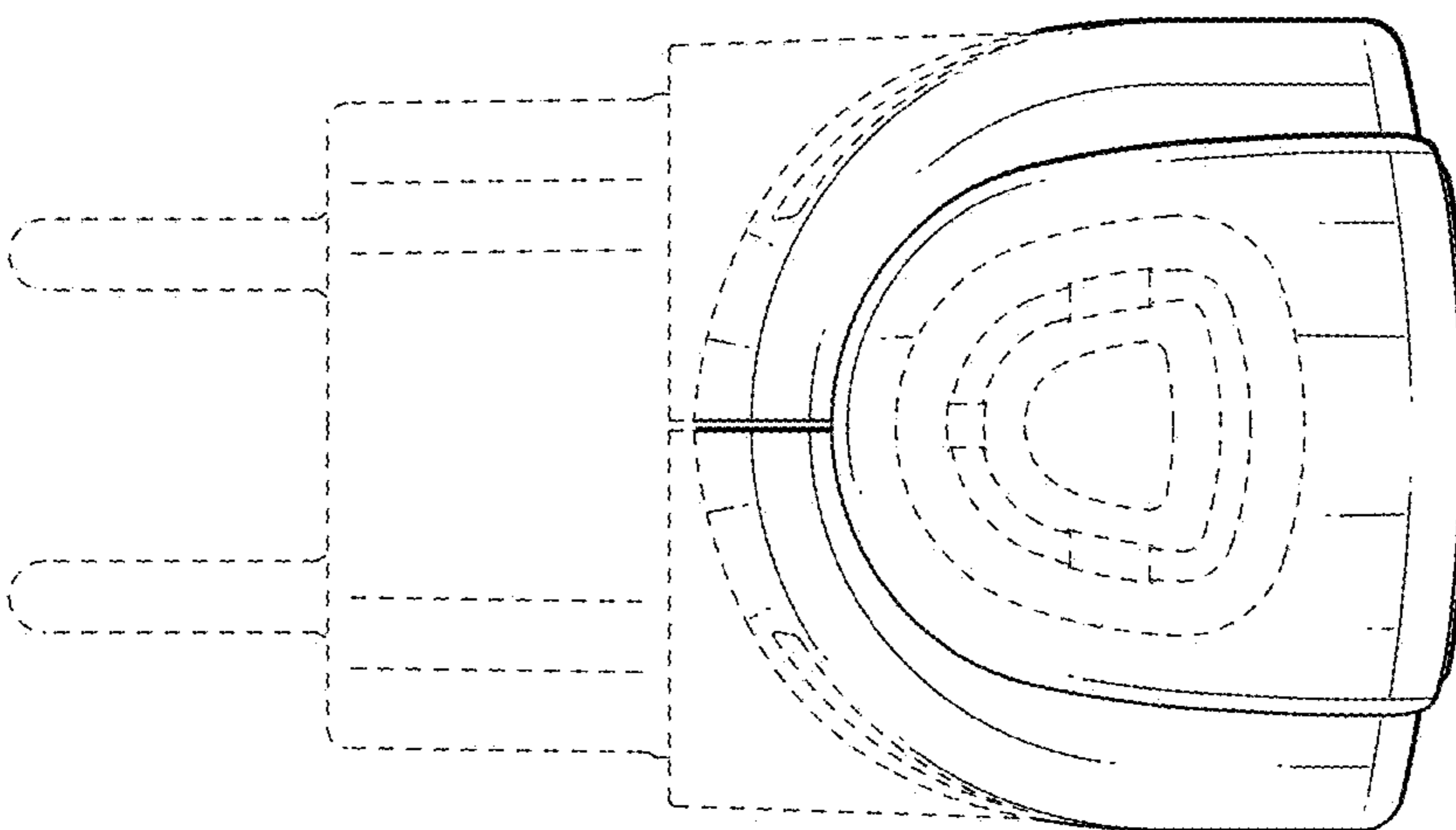


Fig. 7