



US00D682406S

(12) **United States Design Patent**
Yeom

(10) **Patent No.:** **US D682,406 S**

(45) **Date of Patent:** **** May 14, 2013**

(54) **AIR PURIFIER AND HUMIDIFIER**

(75) Inventor: **Jeong-Seok Yeom**, Gwangmyeong-si
(KR)

(73) Assignee: **WiniaMando Inc.**, Asan-si,
Chungcheongnam-do (KR)

(**) Term: **14 Years**

(21) Appl. No.: **29/411,893**

(22) Filed: **Jan. 27, 2012**

(30) **Foreign Application Priority Data**

Jul. 27, 2011 (KR) 30-2011-0031340

(51) **LOC (9) Cl.** **23-04**

(52) **U.S. Cl.**
USPC **D23/364; D23/356**

(58) **Field of Classification Search** D23/355-366,
D23/352, 369, 332, 333, 335, 336, 342, 351;
422/120, 122; 55/356, 473, 504; 96/97;
261/DIG. 17, DIG. 65, DIG. 88, DIG. 31
See application file for complete search history.

(56) **References Cited**

U.S. PATENT DOCUMENTS

D397,196 S *	8/1998	Tsuji	D23/356
D466,598 S *	12/2002	Shih-Ying	D23/335
D529,157 S *	9/2006	Tice et al.	D23/351
D565,159 S *	3/2008	Shin et al.	D23/356
D570,464 S *	6/2008	Normark	D23/364

D596,728 S *	7/2009	Campbell et al.	D23/364
D597,187 S *	7/2009	Campbell	D23/356
D601,687 S *	10/2009	Chan	D23/364
D606,642 S *	12/2009	Weggelaar	D23/366
D616,080 S *	5/2010	Ching	D23/332
D617,437 S *	6/2010	Matsuzaki	D23/364
D621,019 S *	8/2010	Kim et al.	D23/356
D633,996 S *	3/2011	Laut et al.	D23/364

* cited by examiner

Primary Examiner — David Muller

(74) *Attorney, Agent, or Firm* — Lowe Hauptman Ham & Berner LLP

(57) **CLAIM**

The ornamental design for an air purifier and humidifier, as shown and described.

DESCRIPTION

FIG. 1 is a perspective view of an air purifier and humidifier showing my new design;
FIG. 2 is a front elevational view thereof;
FIG. 3 is a rear elevational view thereof;
FIG. 4 is a left side elevational view thereof;
FIG. 5 is a right side elevational view thereof;
FIG. 6 is a top plan view thereof;
FIG. 7 is a bottom plan view thereof; and,
FIG. 8 is a reference view similar to FIG. 1, showing a display part in broken lines, attached to the claimed design.
The broken line showing of parts of the drawings is included for the purpose of illustrating use and environment and forms no part of the claimed design.

1 Claim, 8 Drawing Sheets

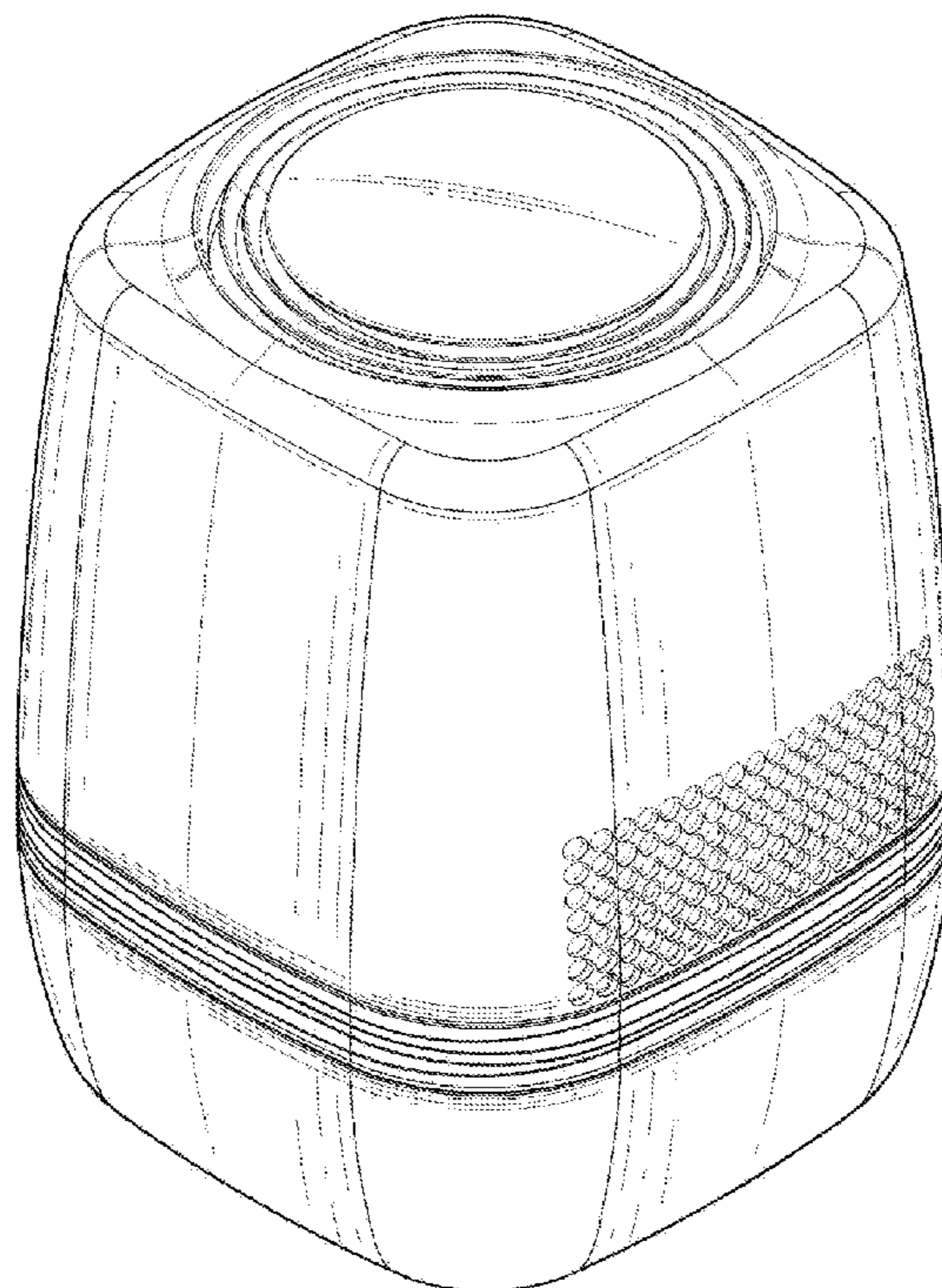


FIG. 1

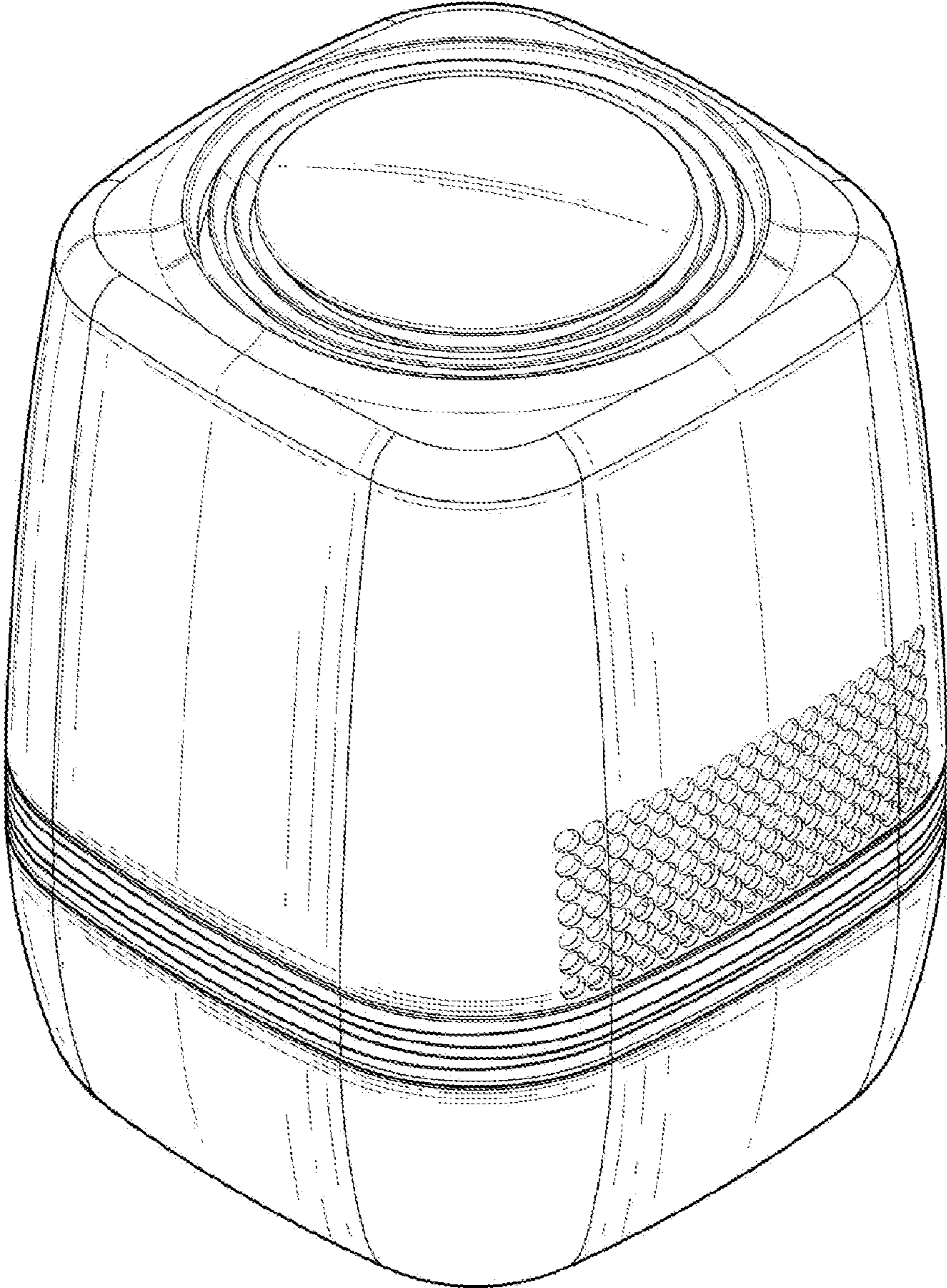


FIG. 2

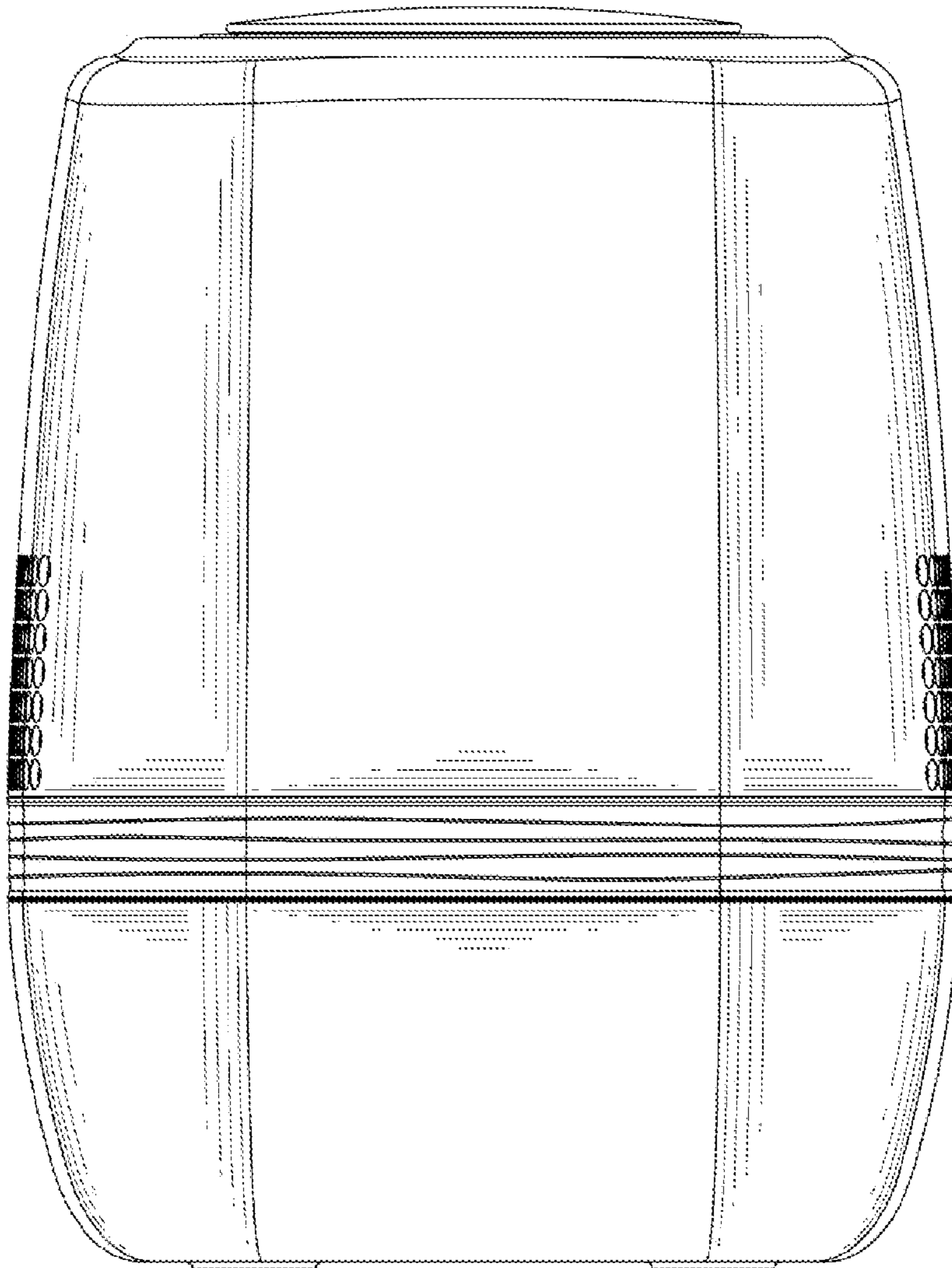


FIG. 3

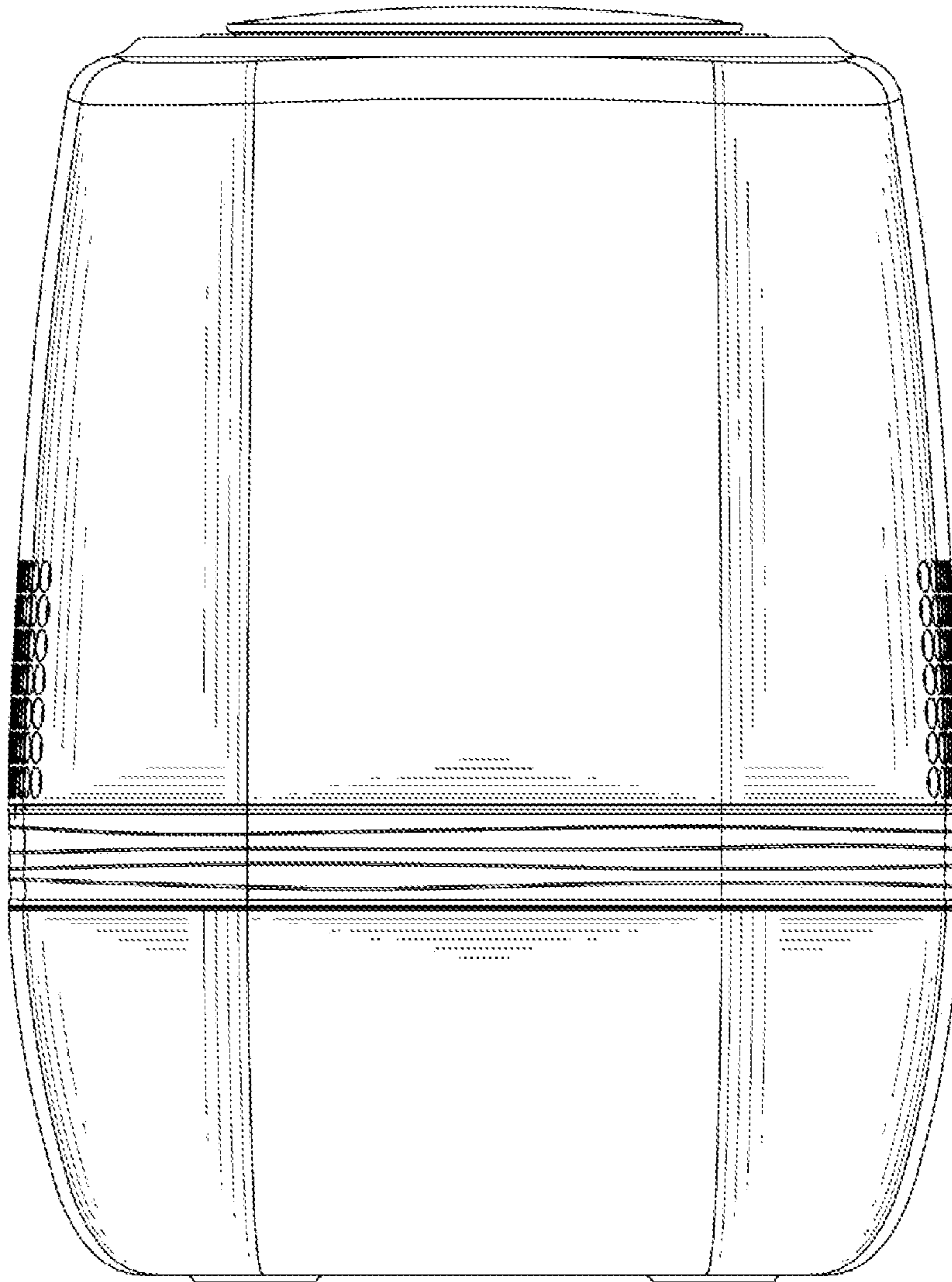


FIG. 4

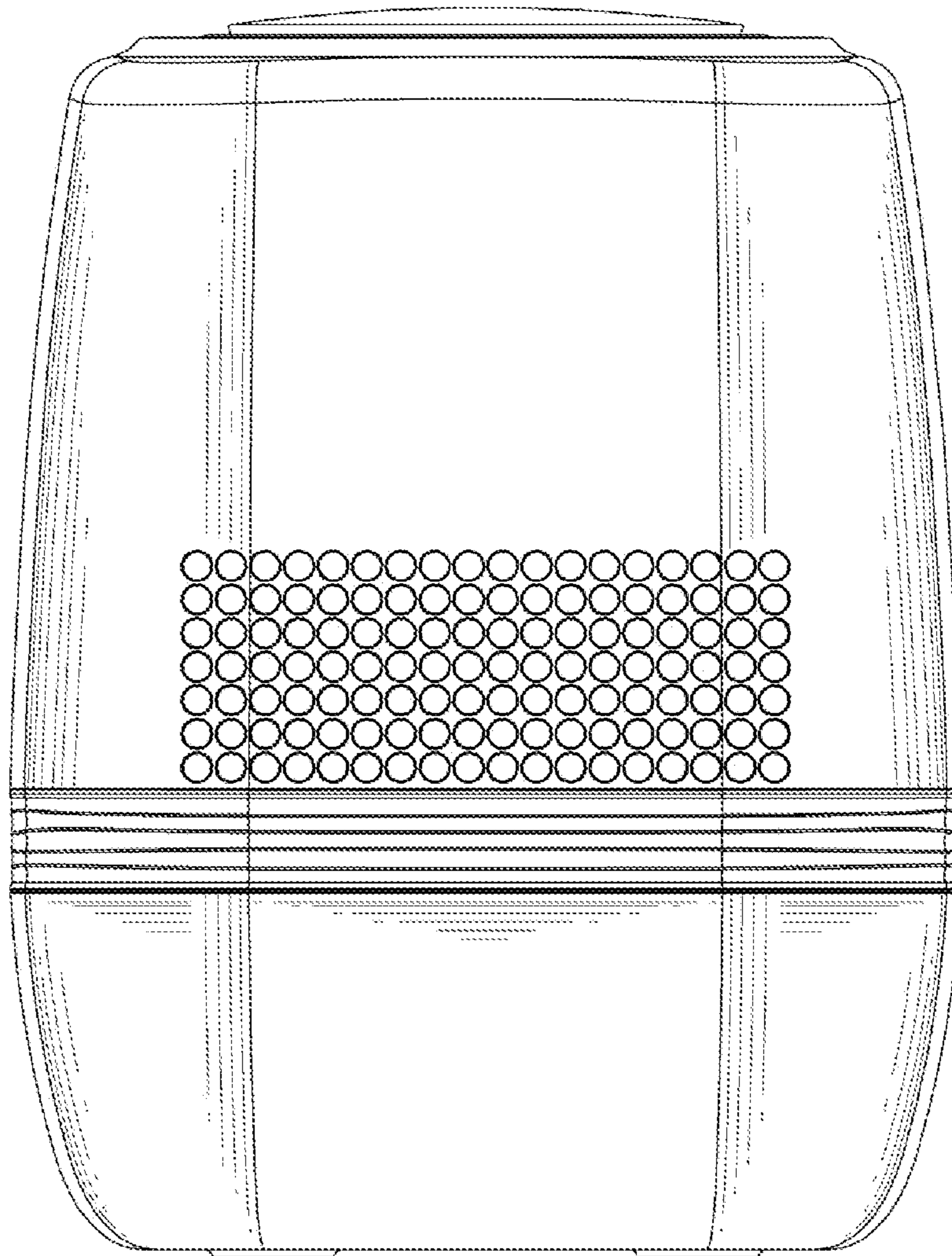


FIG. 5

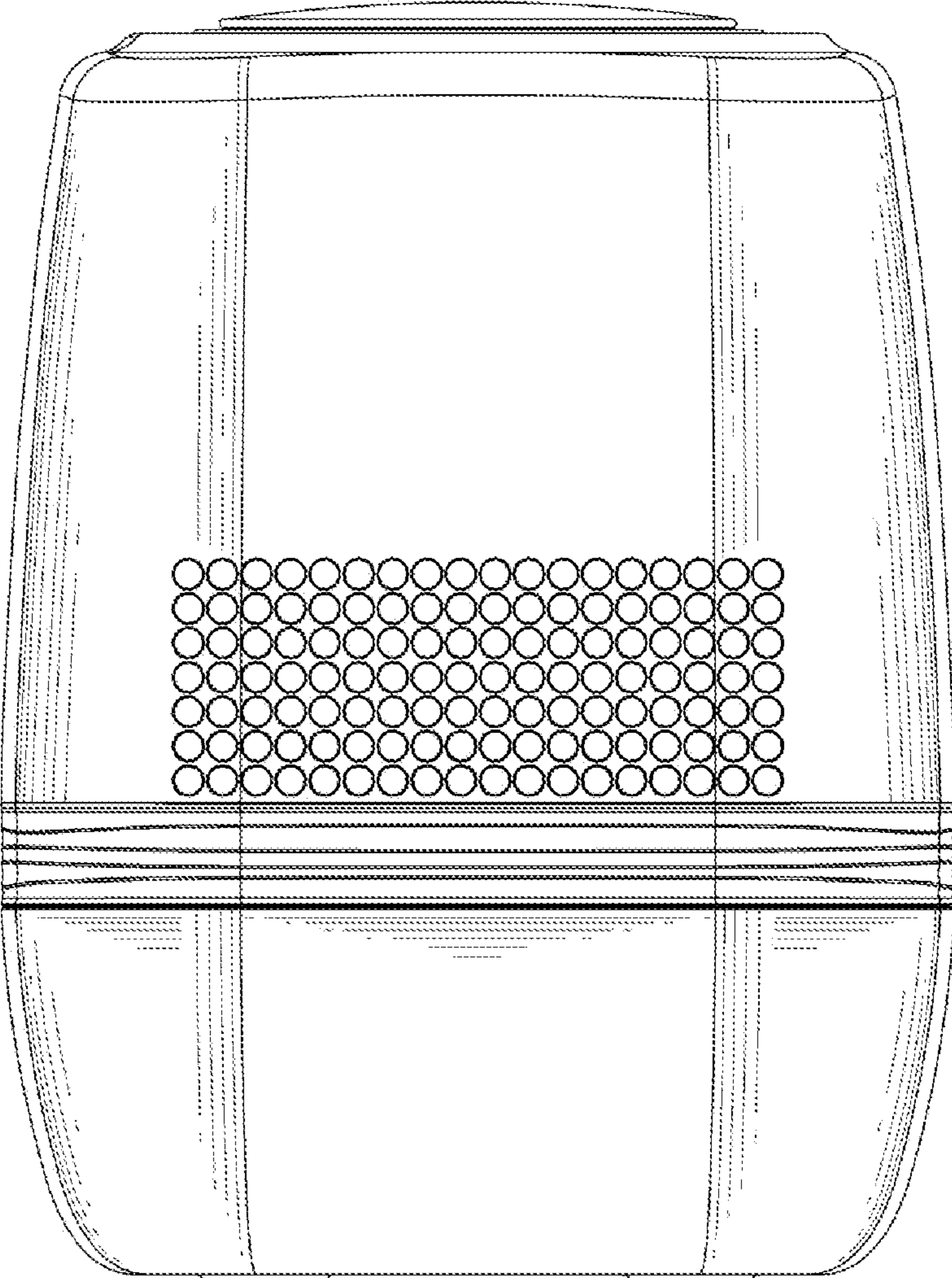


FIG. 6

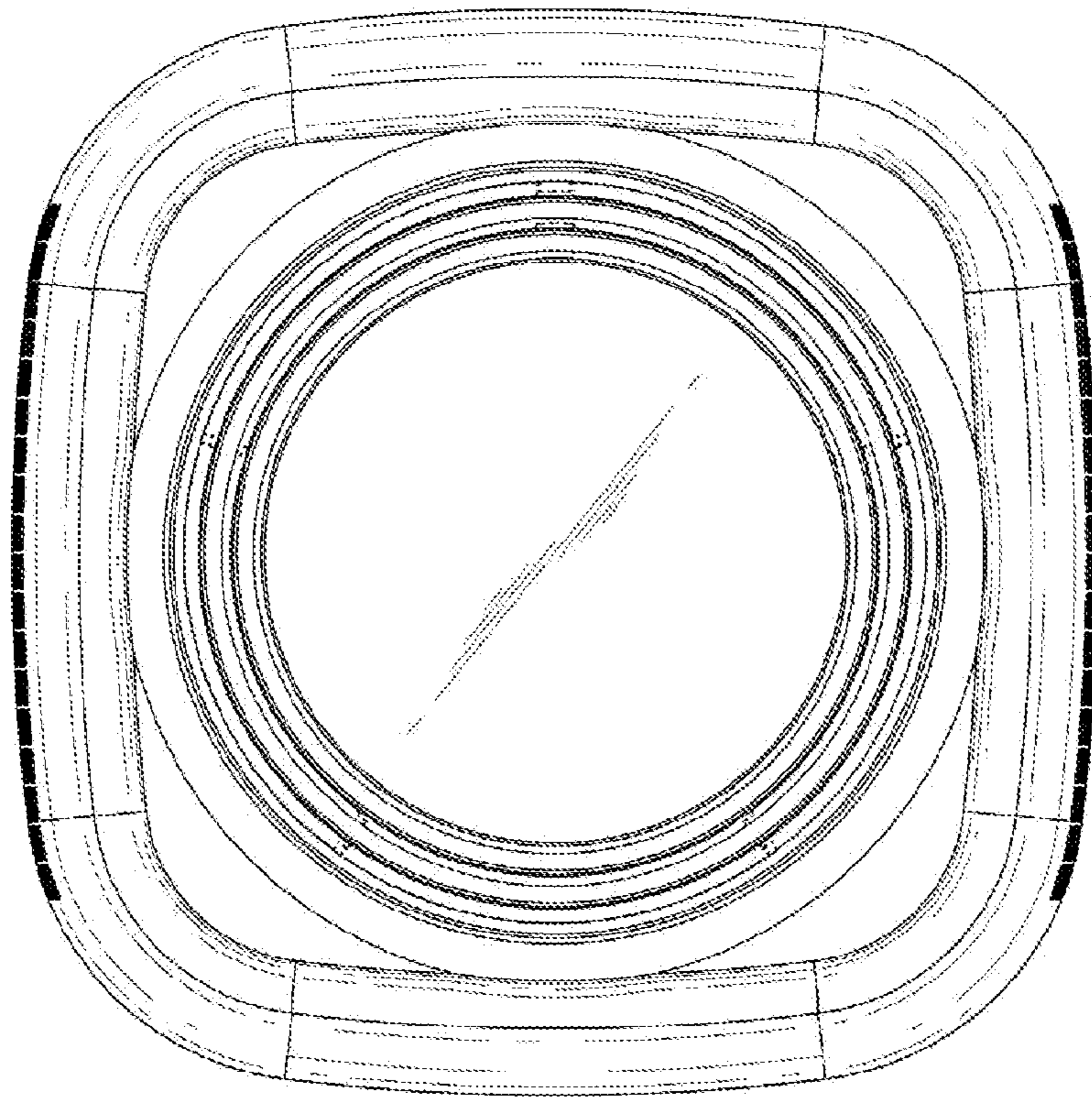


FIG. 7

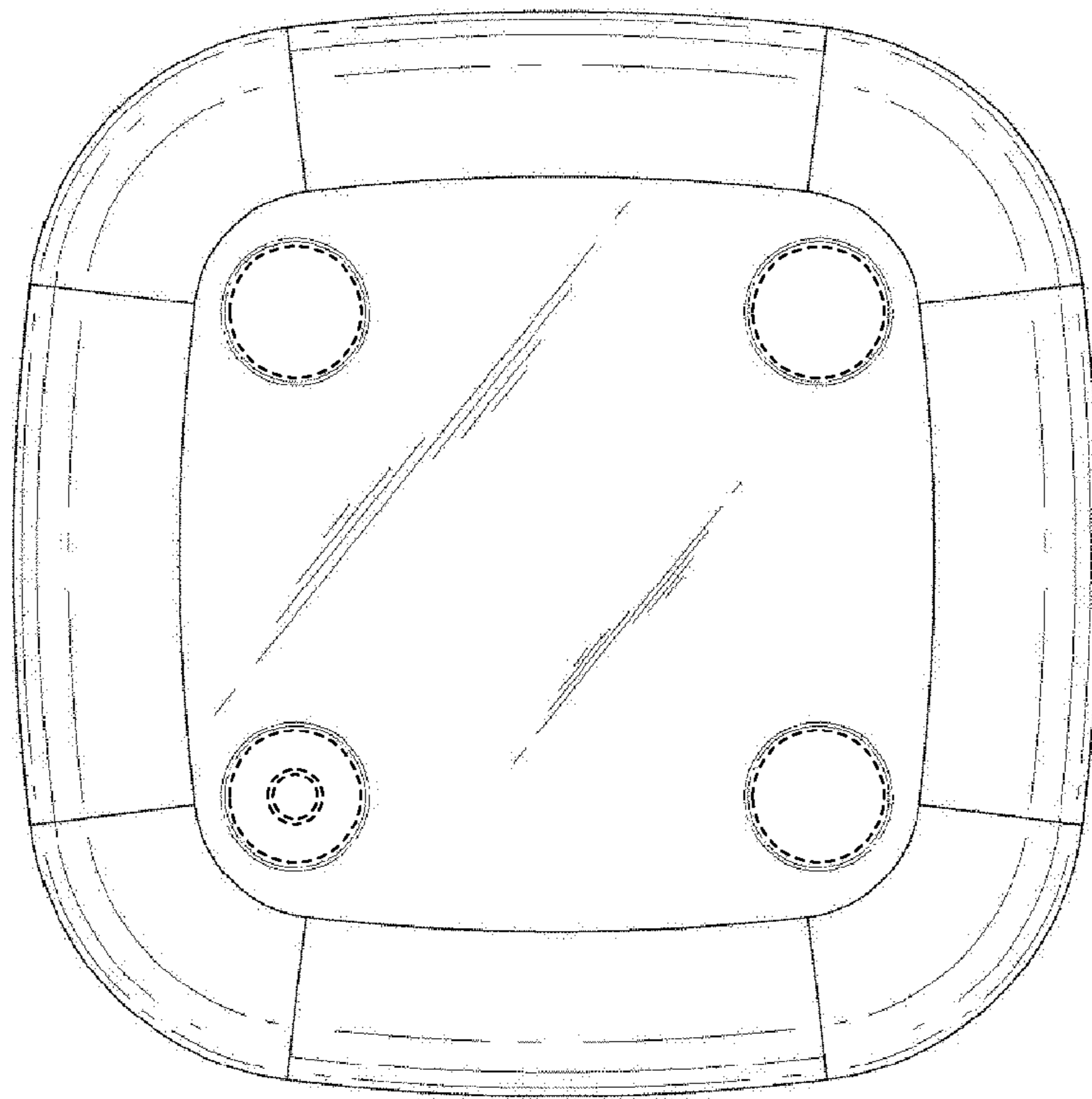


FIG. 8

