



US00D682403S

(12) **United States Design Patent**  
**Eilmus et al.**

(10) **Patent No.:** **US D682,403 S**  
(45) **Date of Patent:** **\*\* May 14, 2013**

(54) **SINK**  
(71) Applicant: **Kohler Co.**, Kohler, WI (US)  
(72) Inventors: **Niels J. Eilmus**, Sheboygan, WI (US);  
**Shawn J. Booth**, Sheboygan, WI (US)  
(73) Assignee: **Kohler Co.**, Kohler, WI (US)  
(\*\*) Term: **14 Years**

D471,263 S 3/2003 Bayer et al.  
D473,292 S 4/2003 Paredes  
D518,561 S \* 4/2006 Gordon ..... D23/290  
D518,881 S \* 4/2006 Ziemann ..... D23/290  
D545,409 S \* 6/2007 Plikuhn ..... D23/290  
D570,459 S 6/2008 Kitzmiller  
D570,460 S 6/2008 Kitzmiller  
D570,968 S 6/2008 Kitzmiller  
D570,969 S 6/2008 Kitzmiller  
D600,334 S \* 9/2009 Chong ..... D23/308  
D627,864 S 11/2010 Eilmus et al.

(Continued)

(21) Appl. No.: **29/438,197**  
(22) Filed: **Nov. 27, 2012**

*Primary Examiner* — Robert Delehanty  
(74) *Attorney, Agent, or Firm* — Foley & Lardner LLP

**Related U.S. Application Data**

(62) Division of application No. 29/400,564, filed on Aug. 30, 2011.  
(51) **LOC (9) Cl.** ..... **23-02**  
(52) **U.S. Cl.**  
USPC ..... **D23/290**  
(58) **Field of Classification Search** ..... D23/284,  
D23/290, 308; 4/619, 639–642, 660  
See application file for complete search history.

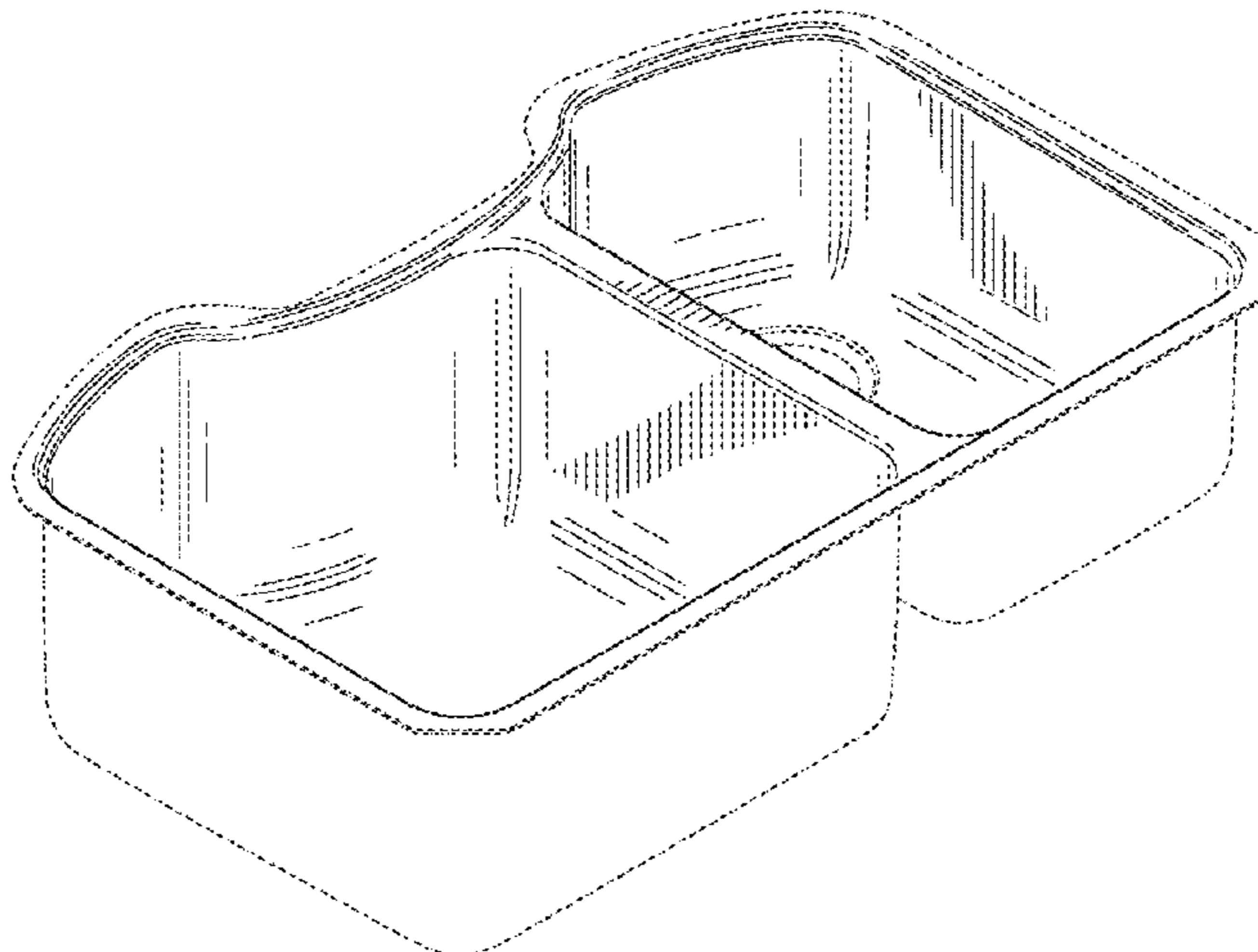
(57) **CLAIM**  
We claim the ornamental design for a sink, as shown and described.

**DESCRIPTION**

FIG. 1 is a top perspective view of an embodiment of the claimed design;  
FIG. 2 is a top plan view of the claimed design of FIG. 1;  
FIG. 3 is a front elevation view of the claimed design of FIG. 1;  
FIG. 4 is a right-side elevation view of the claimed design of FIG. 1;  
FIG. 5 is a left-side elevation view of the claimed design of FIG. 1;  
FIG. 6 is a rear elevation view of the claimed design of FIG. 1; and,  
FIG. 7 is a bottom plan view of the claimed design of FIG. 1.  
The ornamental design which is claimed is shown in solid lines in the drawings. The broken lines in the drawings are for illustrative purposes only and form no part of the claimed design. The dot-dash lines in the drawings define boundaries of the claimed design and form no part thereof.

(56) **References Cited**  
U.S. PATENT DOCUMENTS  
D88,713 S 12/1932 Kohler et al.  
D89,200 S 2/1933 Kohler et al.  
D295,068 S 4/1988 Kohler et al.  
D325,246 S 4/1992 Sauter et al.  
D328,339 S 7/1992 Sauter et al.  
D395,699 S \* 6/1998 Hundley ..... D23/290  
D425,187 S 5/2000 Adamavich  
D428,478 S \* 7/2000 Arnold et al. .... D23/290  
D428,975 S \* 8/2000 Arnold et al. .... D23/290  
D455,821 S 4/2002 Bayer et al.  
D464,125 S 10/2002 Bayer et al.  
D464,126 S 10/2002 Bayer et al.  
D464,411 S 10/2002 Bayer et al.

**1 Claim, 5 Drawing Sheets**



# US D682,403 S

Page 2

---

## U.S. PATENT DOCUMENTS

D627,865 S 11/2010 Eilmus  
D634,826 S \* 3/2011 Booth ..... D23/290  
D635,228 S 3/2011 Eilmus et al.

D641,073 S \* 7/2011 Booth ..... D23/308  
D645,549 S \* 9/2011 Booth ..... D23/290

\* cited by examiner

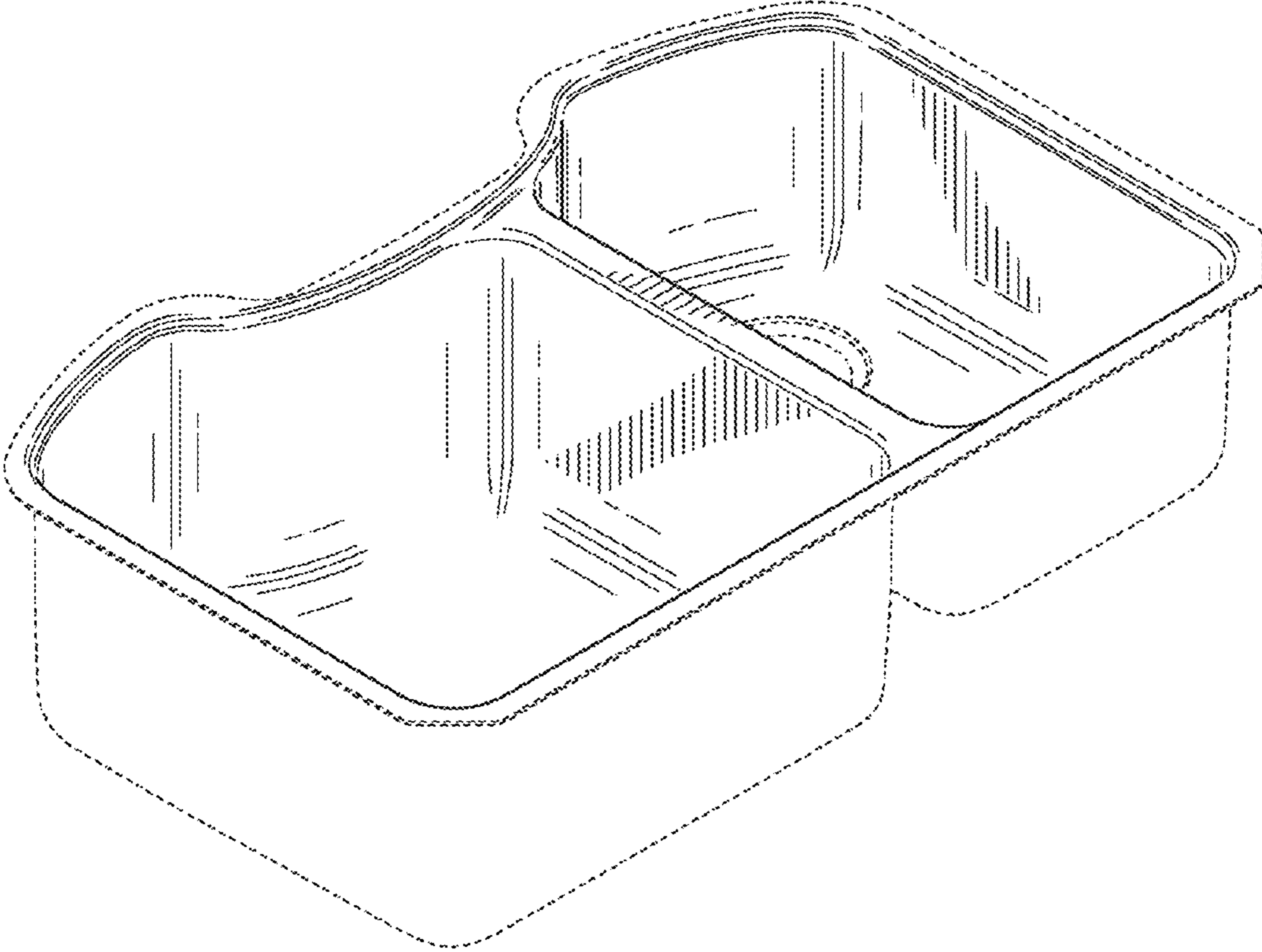


FIG. 1

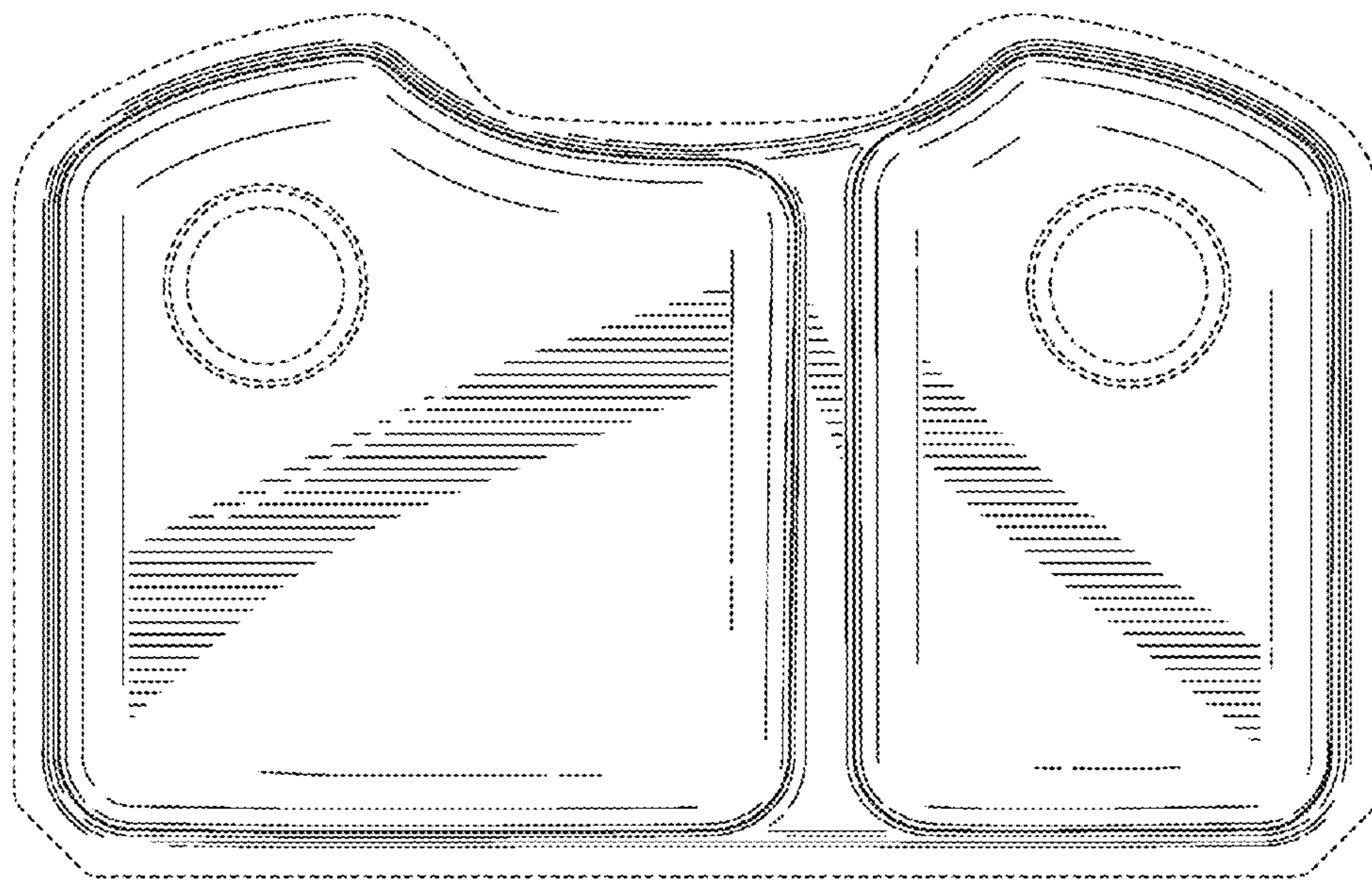


FIG. 2

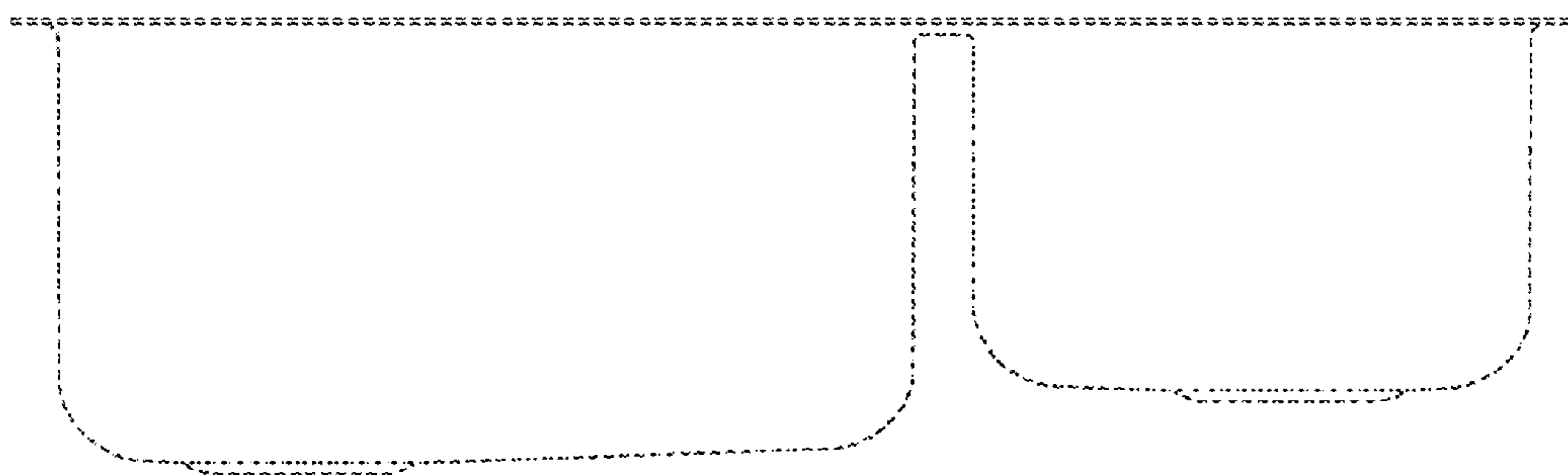


FIG. 3

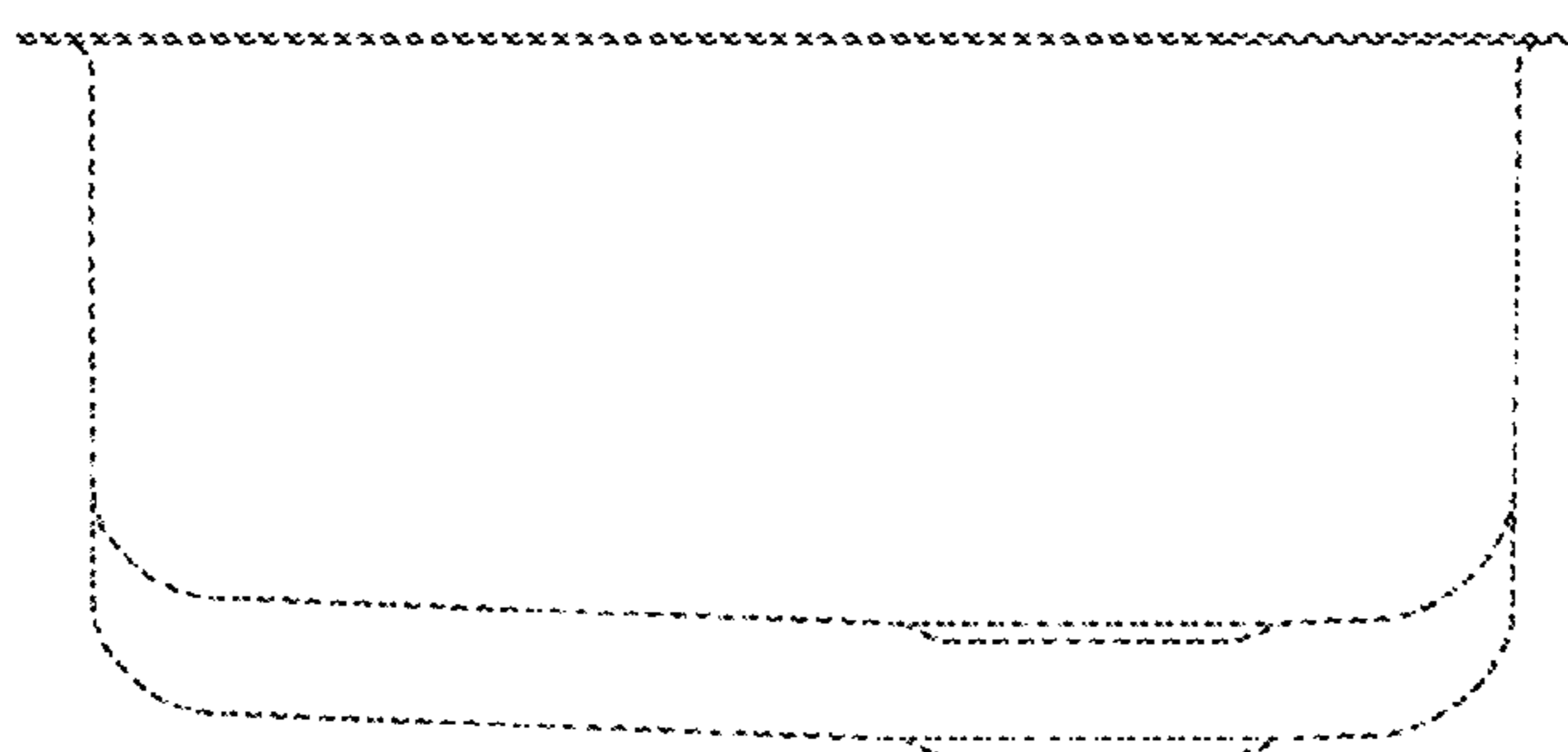


FIG. 4

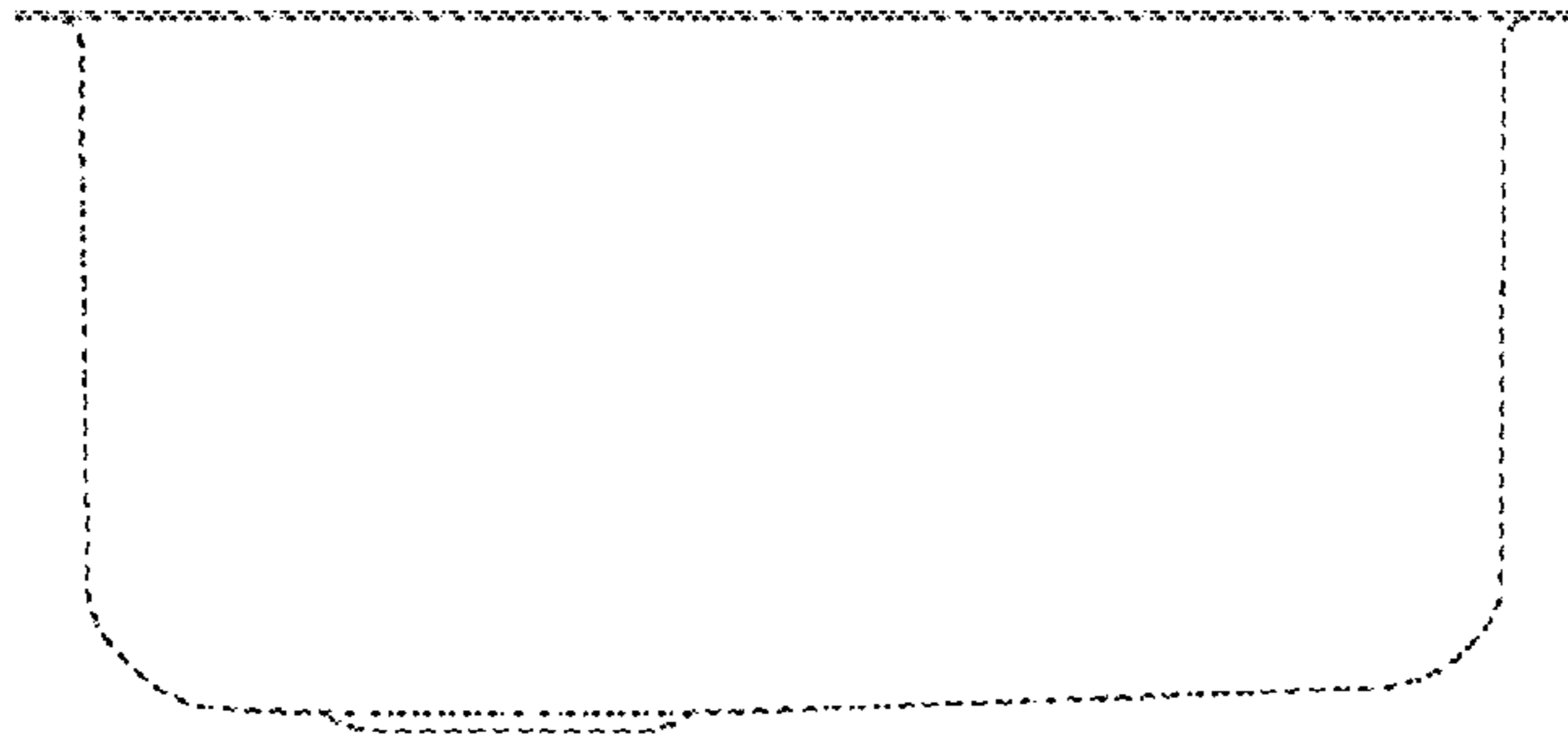


FIG. 5

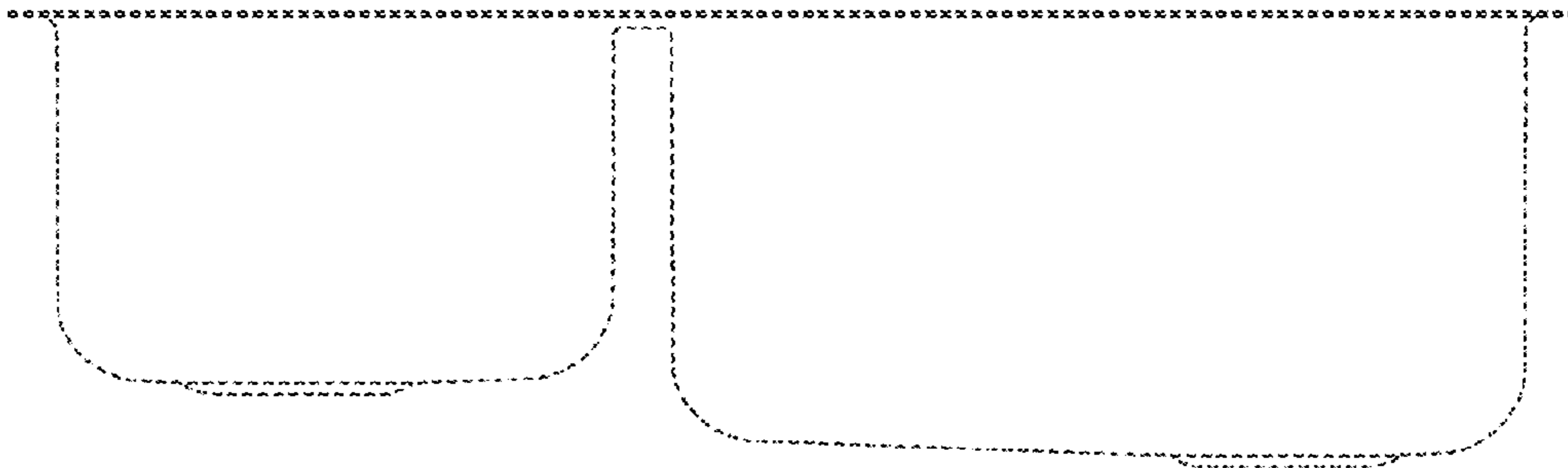
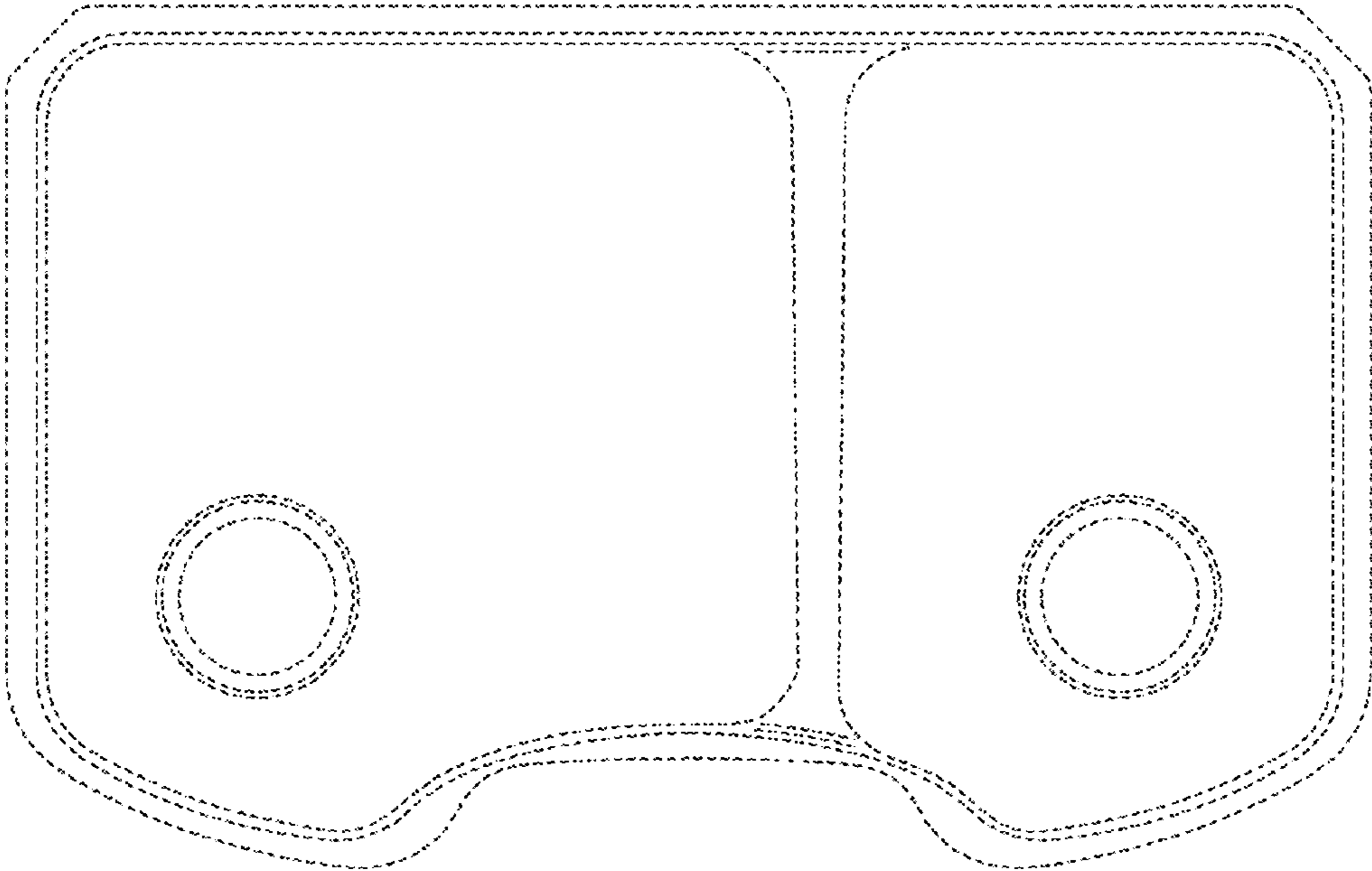


FIG. 6



**FIG. 7**