



US00D682400S

(12) **United States Design Patent**
Luke et al.

(10) **Patent No.:** **US D682,400 S**
(45) **Date of Patent:** **** May 14, 2013**

(54) **DRAINAGE PIT**

(75) Inventors: **Owen Edward Luke**, Kiama Heights (AU); **Luke Nigel Natrass**, Rhodes (AU)

(73) Assignee: **Reln Pty Ltd**, Ingleburn NSW (AU)

(**) Term: **14 Years**

(21) Appl. No.: **29/406,026**

(22) Filed: **Nov. 9, 2011**

(30) **Foreign Application Priority Data**

May 26, 2011 (AU) 12345/2011

(51) **LOC (9) Cl.** **23-01**

(52) **U.S. Cl.**
USPC **D23/267**

(58) **Field of Classification Search** D23/259–262,
D23/267; 4/222.1, 286–287, 290, 292; 52/12;
210/16–166, 170.03, 232, 314–315, 335,
210/337, 339, 463, 477, 485; 404/4–5; 405/45,
405/118

See application file for complete search history.

(56) **References Cited**

U.S. PATENT DOCUMENTS

5,810,510 A * 9/1998 Urriola 405/45
5,954,952 A * 9/1999 Strawser, Sr. 210/164
6,517,715 B1 * 2/2003 Batten et al. 210/232
6,612,780 B2 * 9/2003 Dahowski et al. 405/118
D519,601 S * 4/2006 Addison D23/209
7,153,417 B2 * 12/2006 Happel 210/122

D540,438 S * 4/2007 Natrass D23/267
D583,913 S * 12/2008 Natrass et al. D23/261
D612,022 S * 3/2010 Natrass et al. D23/267
D658,275 S * 4/2012 Luke et al. D23/267
D662,190 S * 6/2012 Luke et al. D23/267
D662,191 S * 6/2012 Luke et al. D23/267
2005/0207839 A1 * 9/2005 Tremouilhac 404/5
2005/0247612 A1 * 11/2005 Glassheim 210/163
2006/0102543 A1 * 5/2006 Peters et al. 210/170
2006/0201860 A1 * 9/2006 Happel et al. 210/162

* cited by examiner

Primary Examiner — Eric Goodman

(74) *Attorney, Agent, or Firm* — Barnes & Thornburg LLP

(57) **CLAIM**

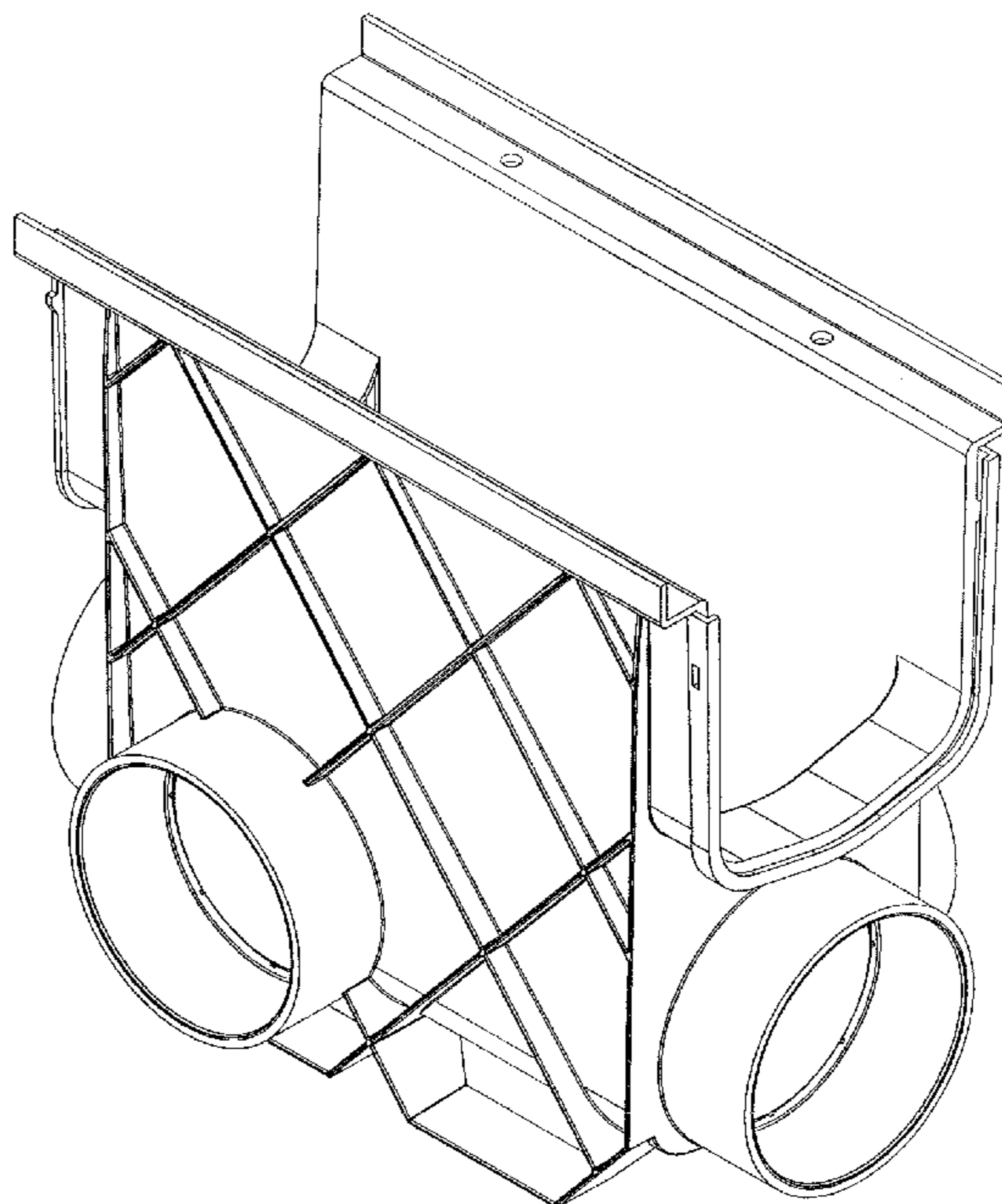
The ornamental design for a drainage pit, as shown and described.

DESCRIPTION

FIG. 1 is an isometric view of a drainage pit according to our invention,
FIG. 2 is an isometric view thereof from below,
FIG. 3 is a side elevational view thereof, the opposite side being identical,
FIG. 4 is a view of one end thereof,
FIG. 5 is an end view of the opposite,
FIG. 6 is a top plan view thereof; and,
FIG. 7 is a bottom plan view thereof.

The broken line showing in portions of the article is to illustrate portions of the article which form no part of the claimed design.

1 Claim, 6 Drawing Sheets



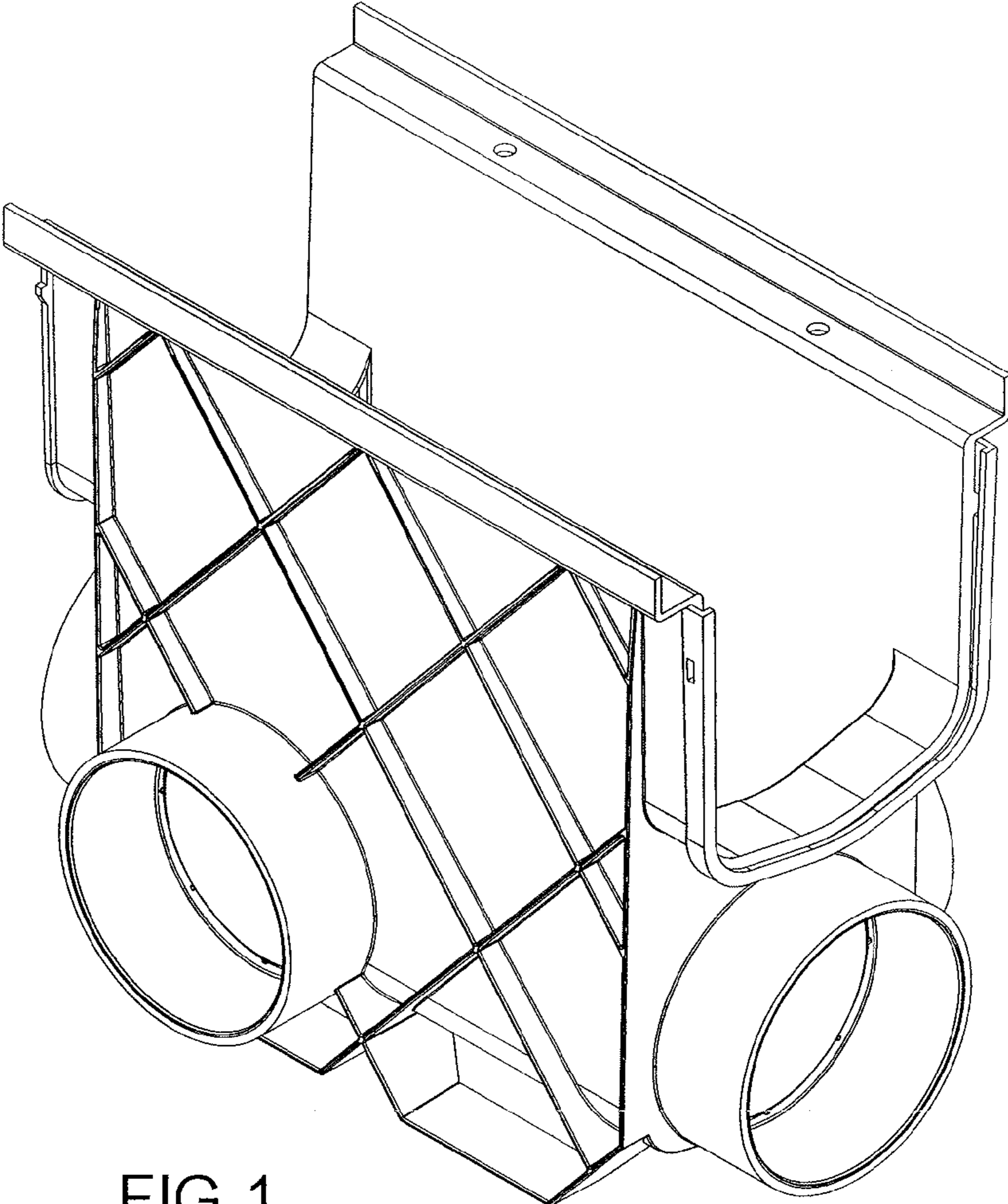


FIG 1

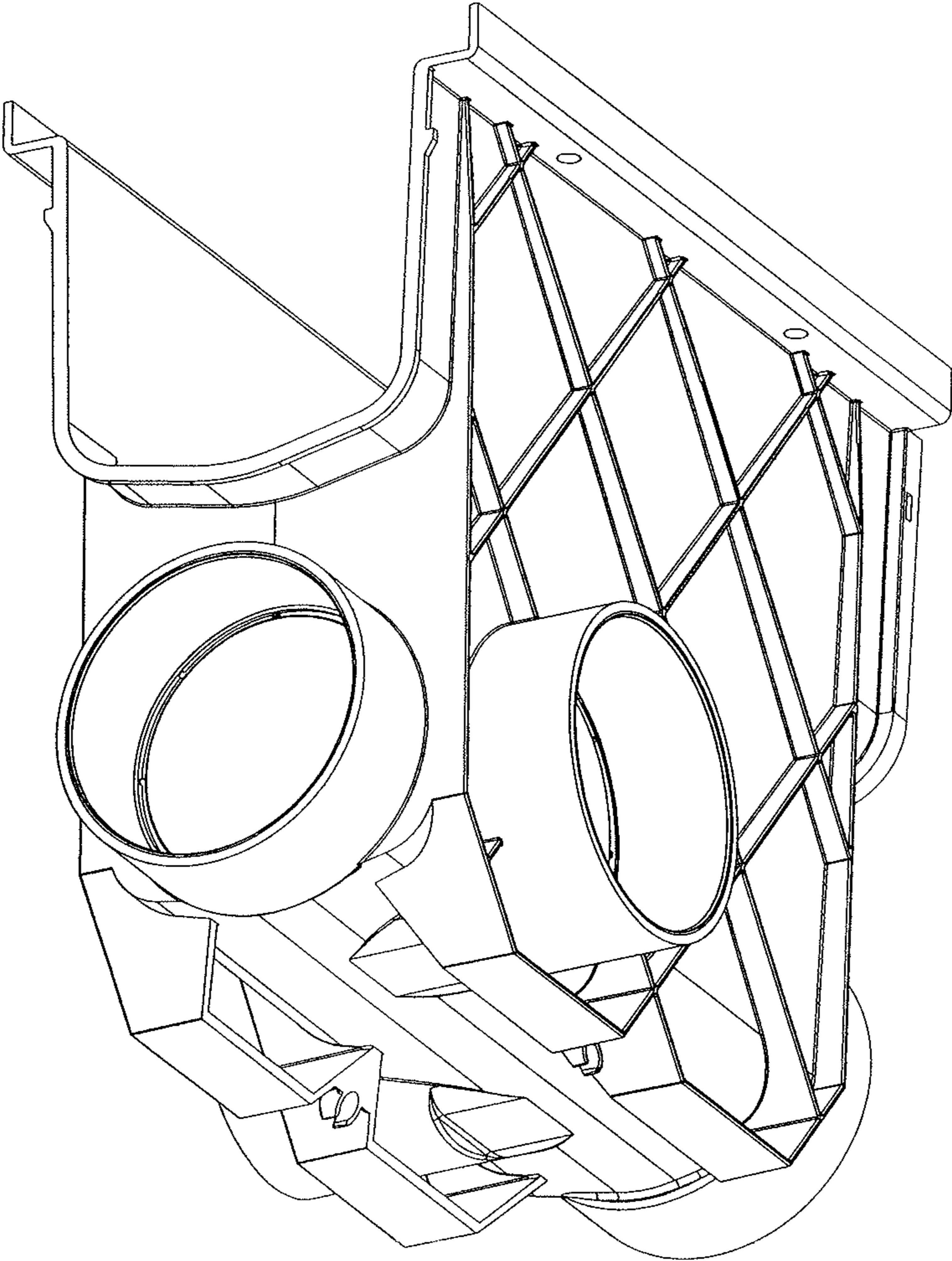


FIG 2

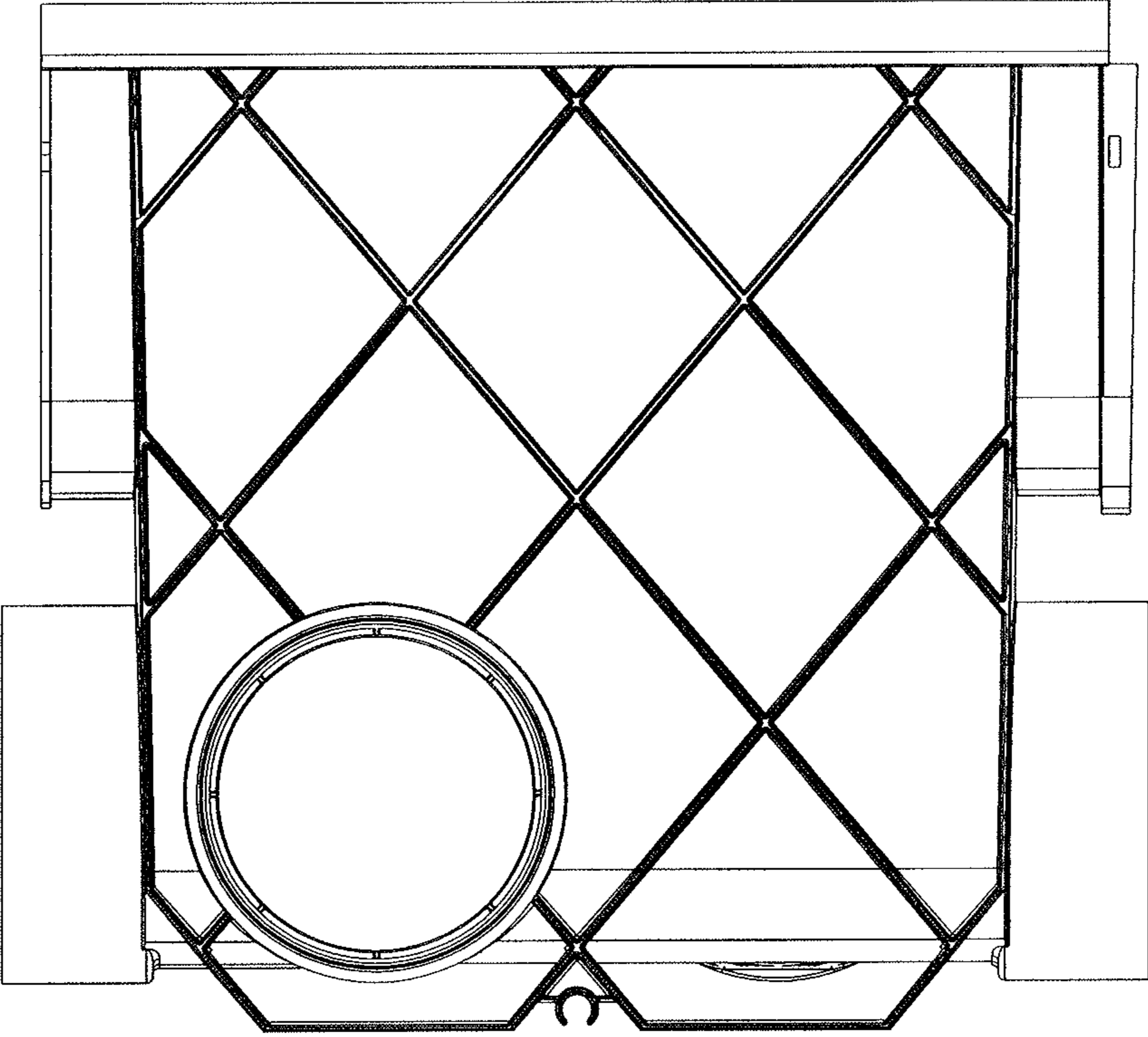


FIG 3

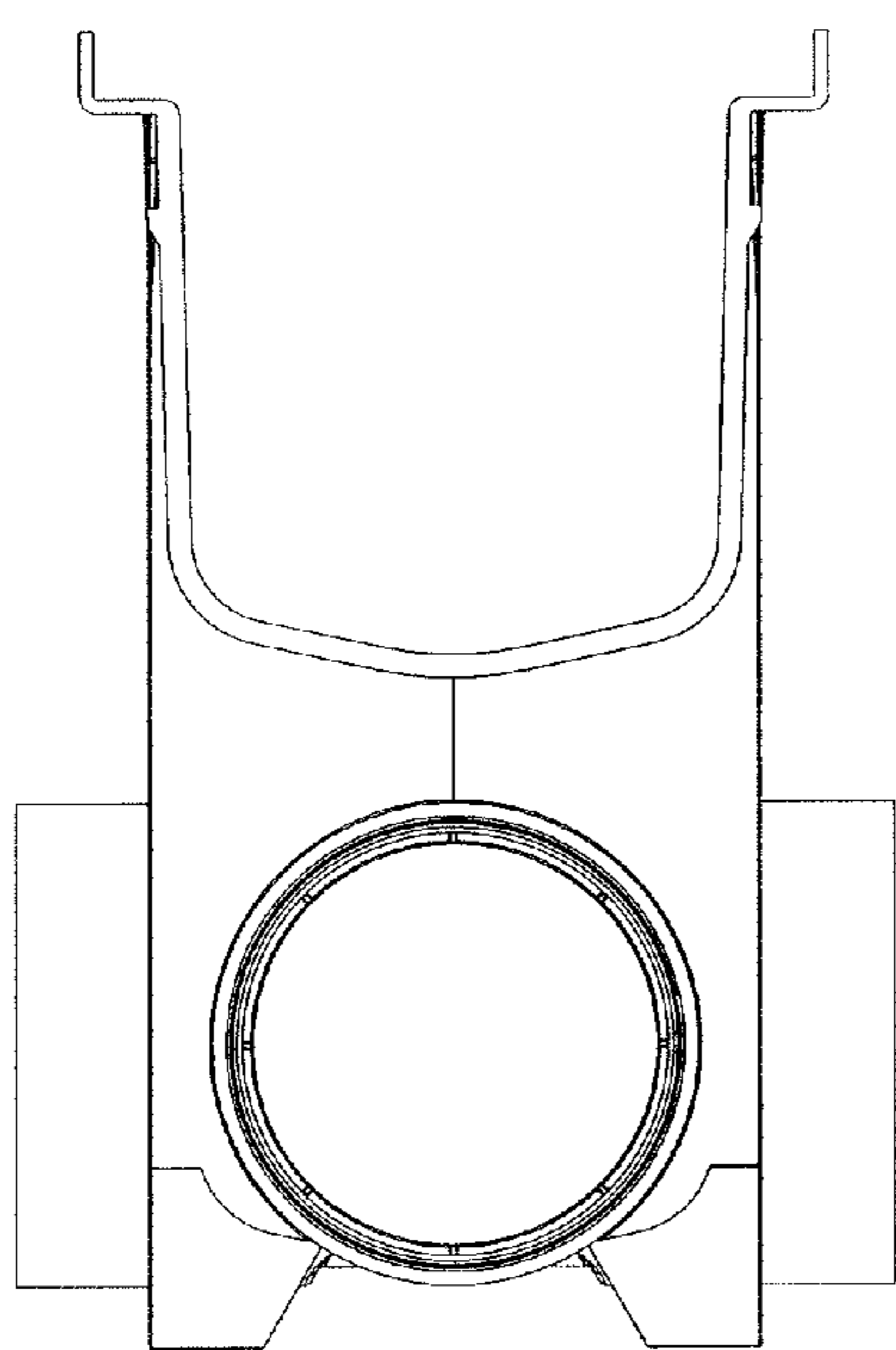


FIG 4

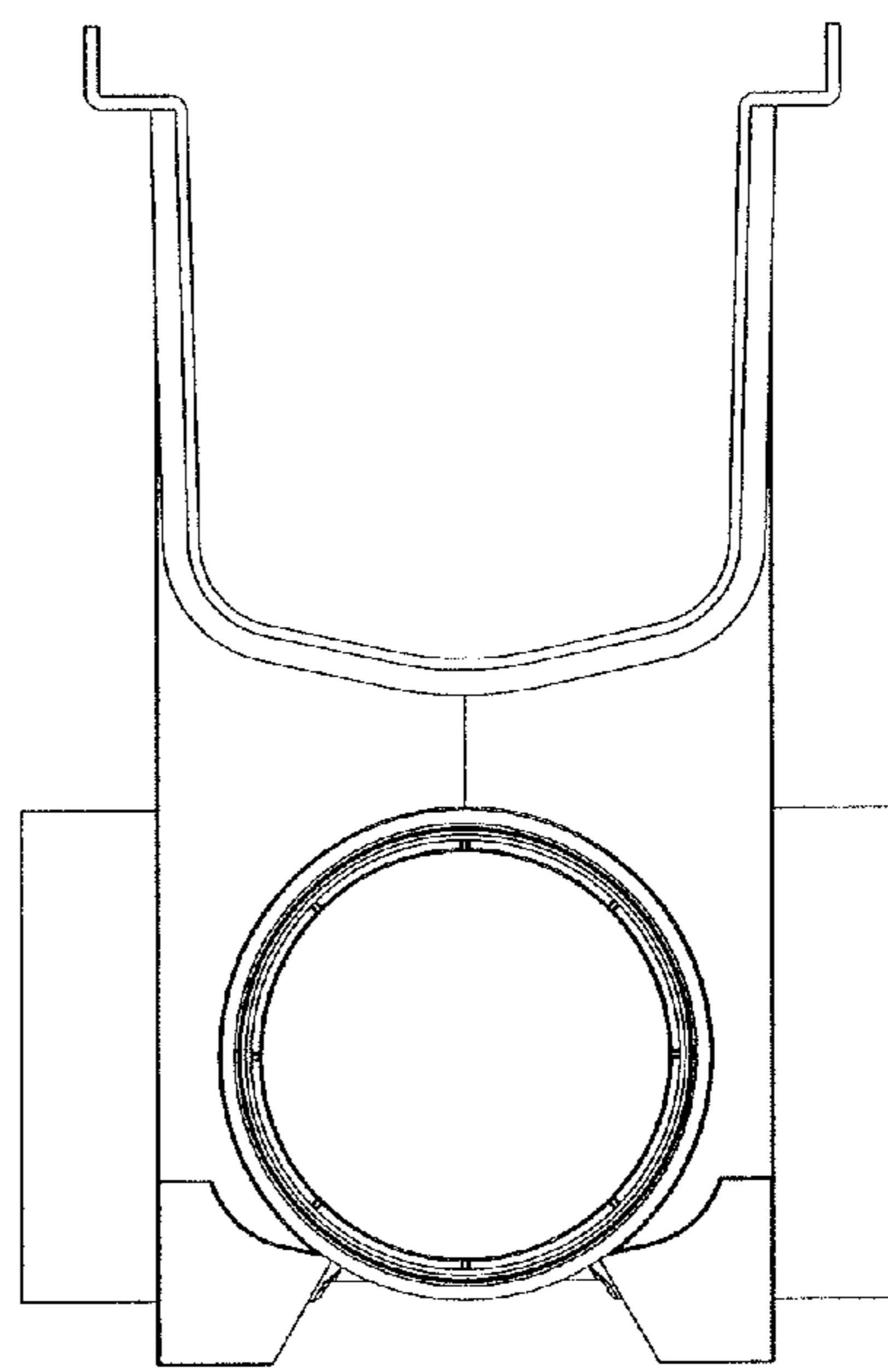


FIG 5

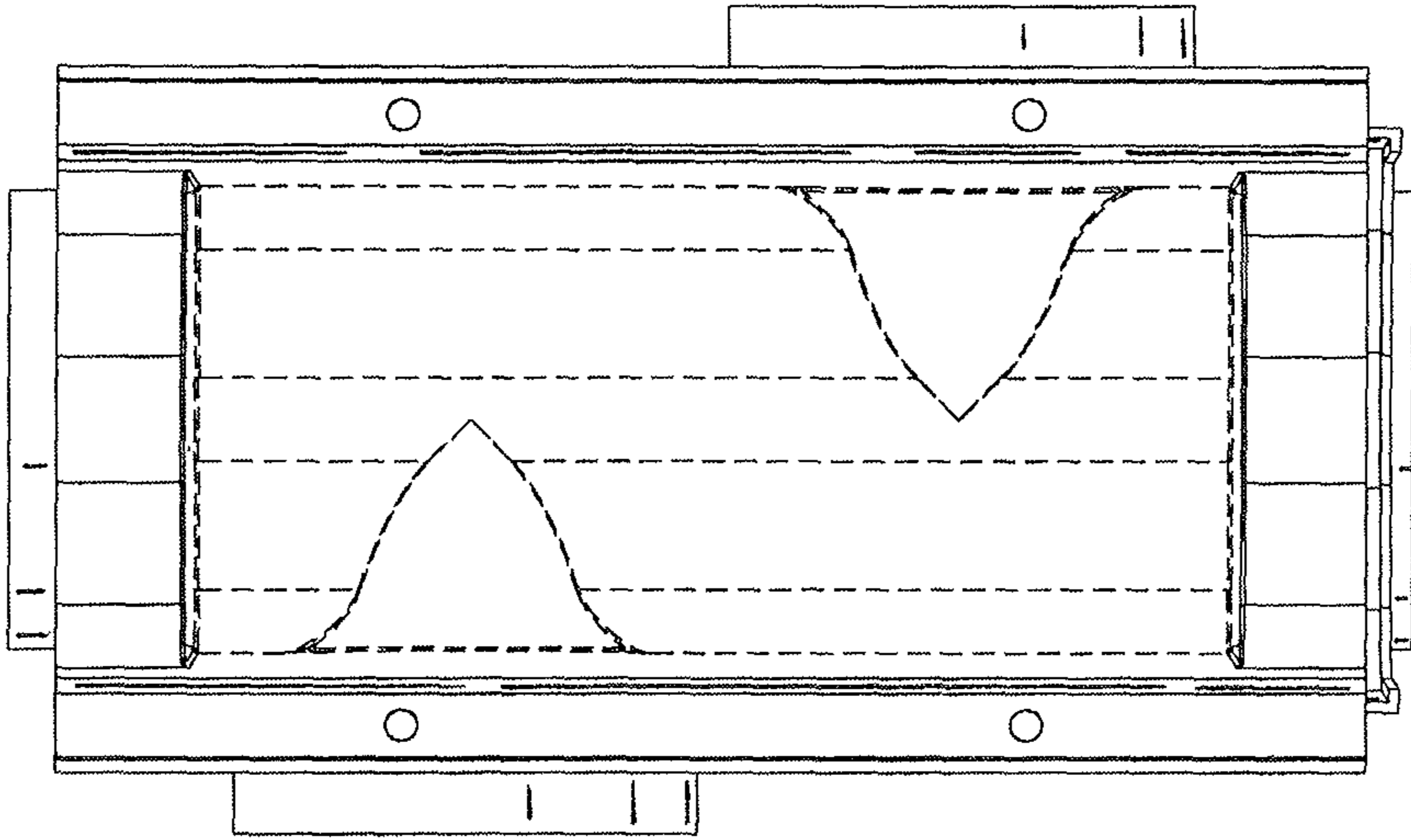


FIG 6

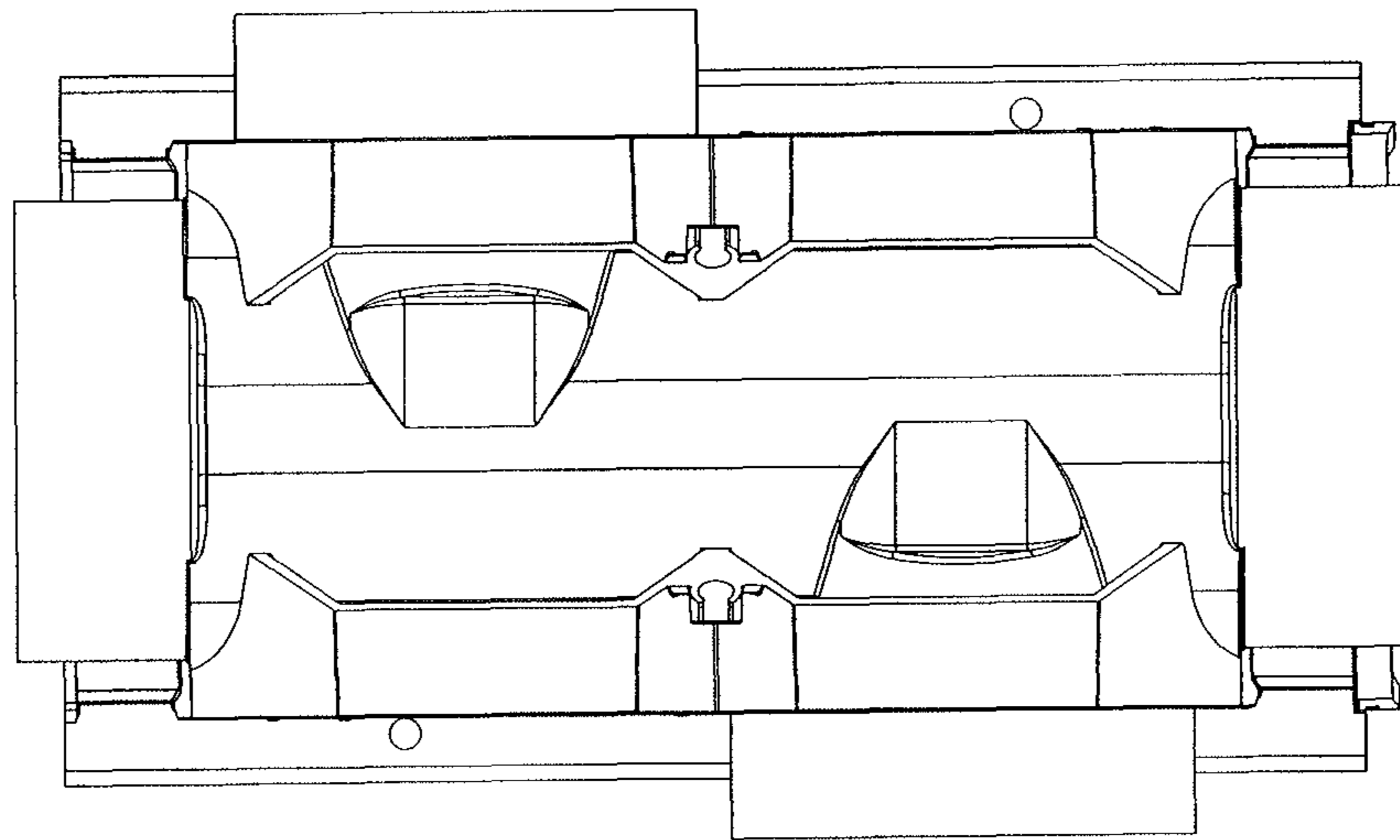


FIG 7