



US00D682399S

(12) **United States Design Patent**
Funderburg

(10) **Patent No.:** **US D682,399 S**

(45) **Date of Patent:** **** May 14, 2013**

(54) **FREEZE-FREE WATER HOSE ASSEMBLY**

(76) **Inventor:** **John Edward Funderburg**, Centennial,
CO (US)

(**) **Term:** **14 Years**

(21) **Appl. No.:** **29/374,434**

(22) **Filed:** **Aug. 11, 2011**

(51) **LOC (9) Cl.** **23-01**

(52) **U.S. Cl.**
USPC **D23/266**

(58) **Field of Classification Search** D23/266;
138/103, 105, 122, 118, 118.1, 126, 128,
138/157; 285/124.1, 124.5; 392/468, 489
See application file for complete search history.

(56) **References Cited**

U.S. PATENT DOCUMENTS

4,423,311	A	12/1983	Varney	
4,917,539	A	4/1990	De La Salle	
5,859,953	A	1/1999	Nickless	
6,041,821	A *	3/2000	Grossman	138/33
6,991,045	B2 *	1/2006	Vinegar et al.	175/45

D586,435	S *	2/2009	Reckseen	D23/266
D604,810	S *	11/2009	Lin	D23/266
2010/0018600	A1 *	1/2010	Crouse et al.	138/126

OTHER PUBLICATIONS

EasyHeat—page from from www.morelectric.com—1page, Aug. 17, 2008, attached.

* cited by examiner

Primary Examiner — Eric Goodman

(74) *Attorney, Agent, or Firm* — Henry L. Smith, Jr.

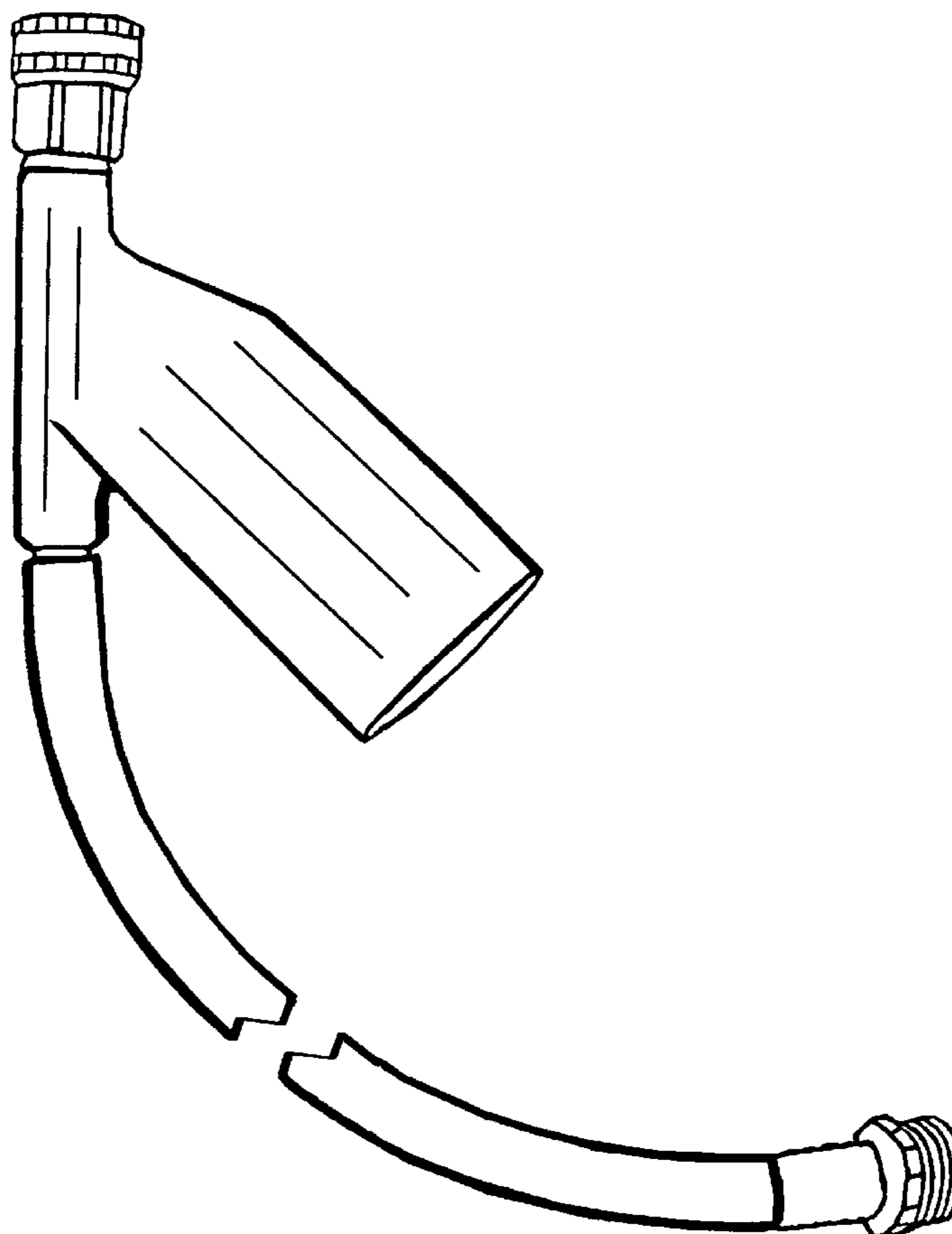
(57) **CLAIM**

I claim the ornamental design for a freeze-free water hose assembly, as shown and described.

DESCRIPTION

FIG. 1 is a left side view of the claimed design.
FIG. 2 is a right side view of the claimed design.
FIG. 3 is a top perspective view of the claimed design; and,
FIG. 4 is a back perspective view thereof.
The design is shown broken away to indicate that no particular length of hose forms a part of the claimed design.

1 Claim, 4 Drawing Sheets



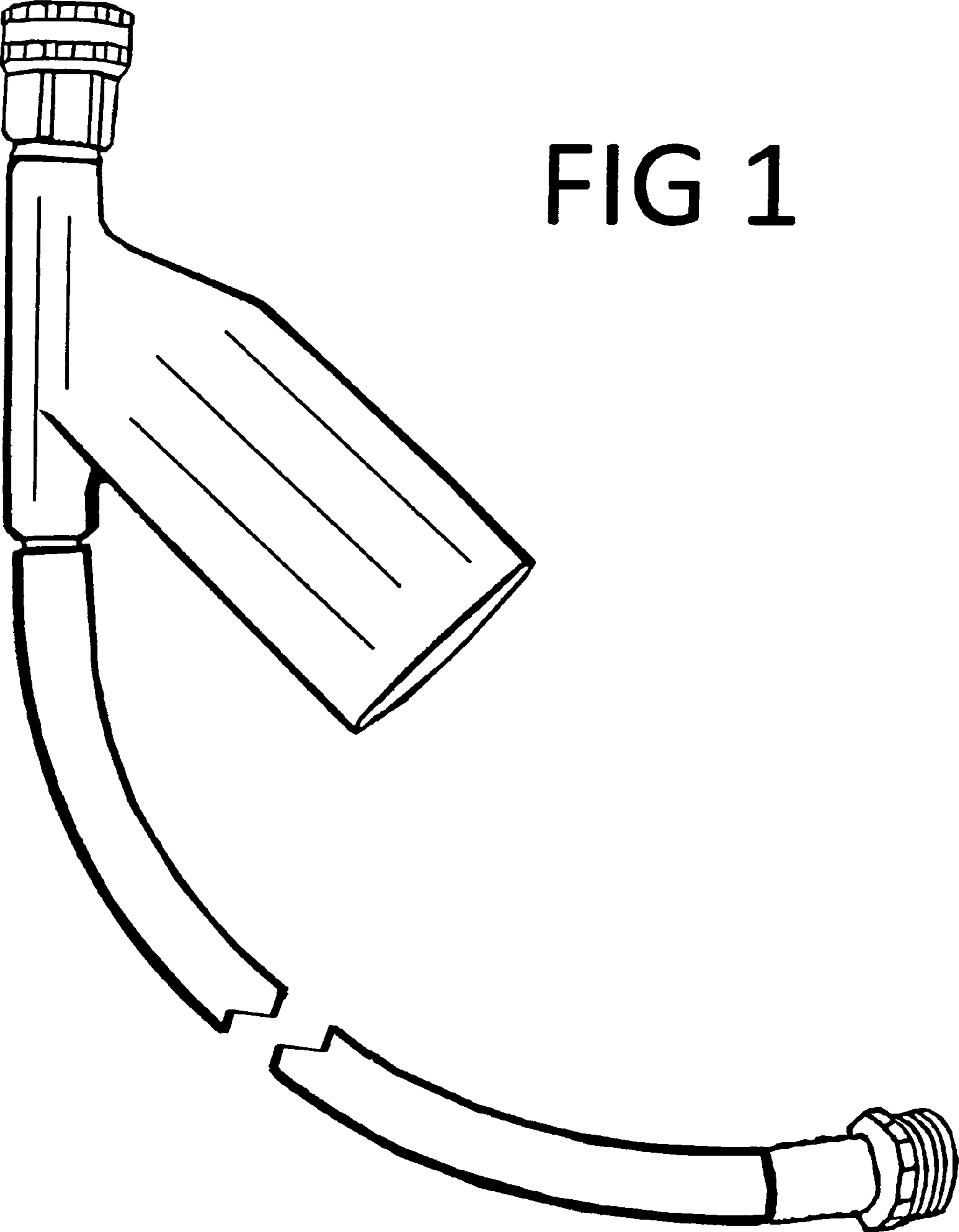


FIG 1

FIG 2

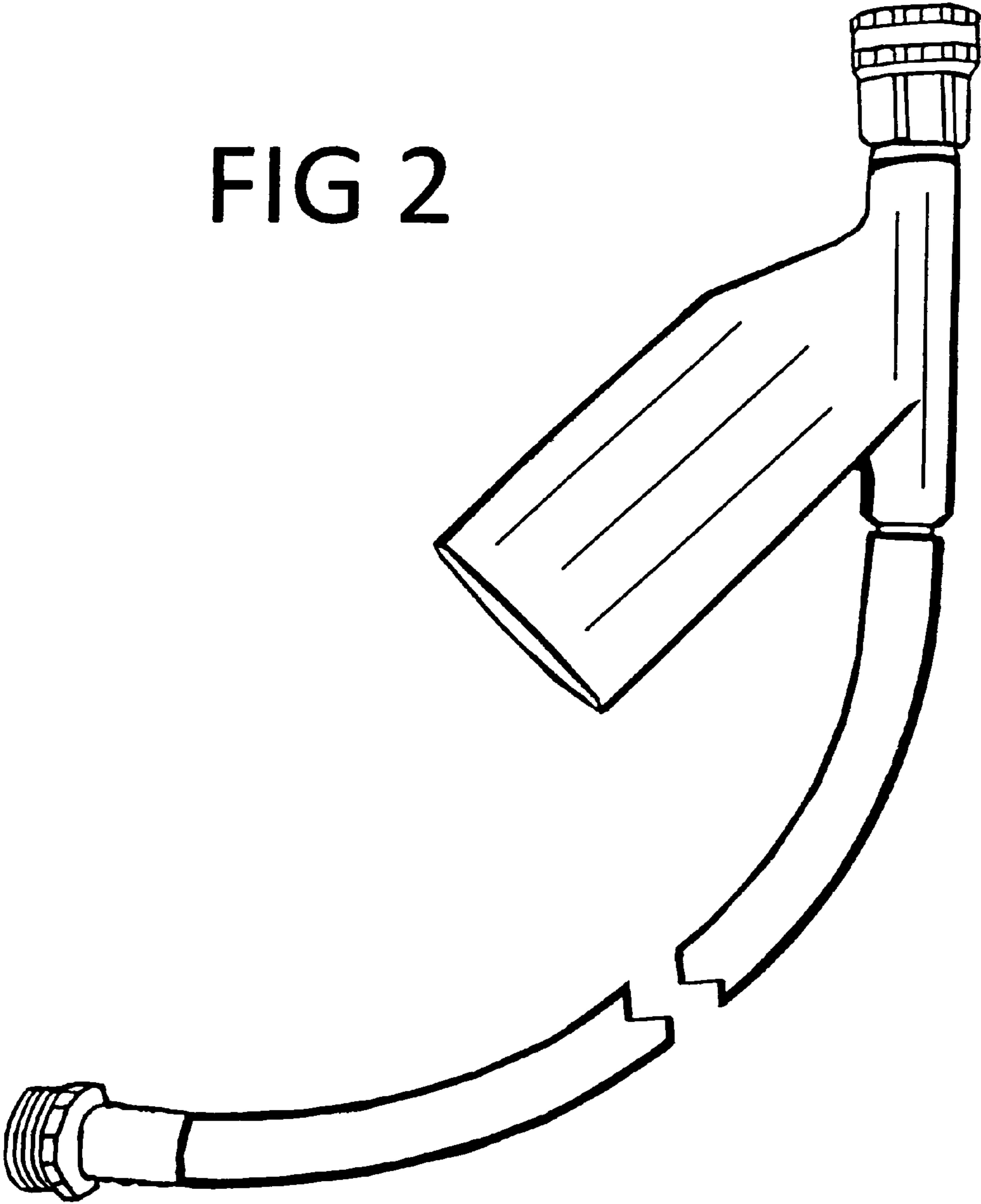
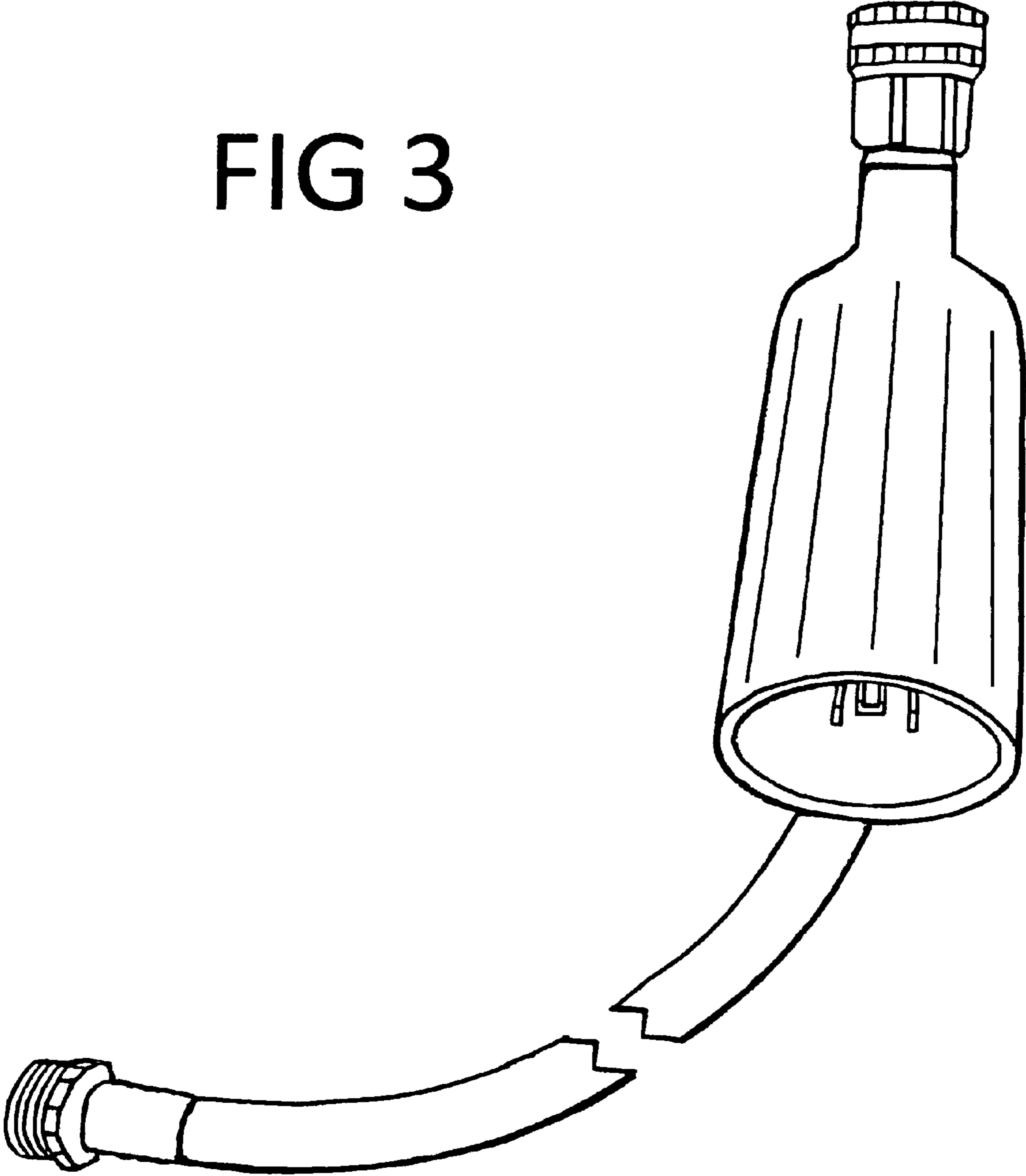


FIG 3



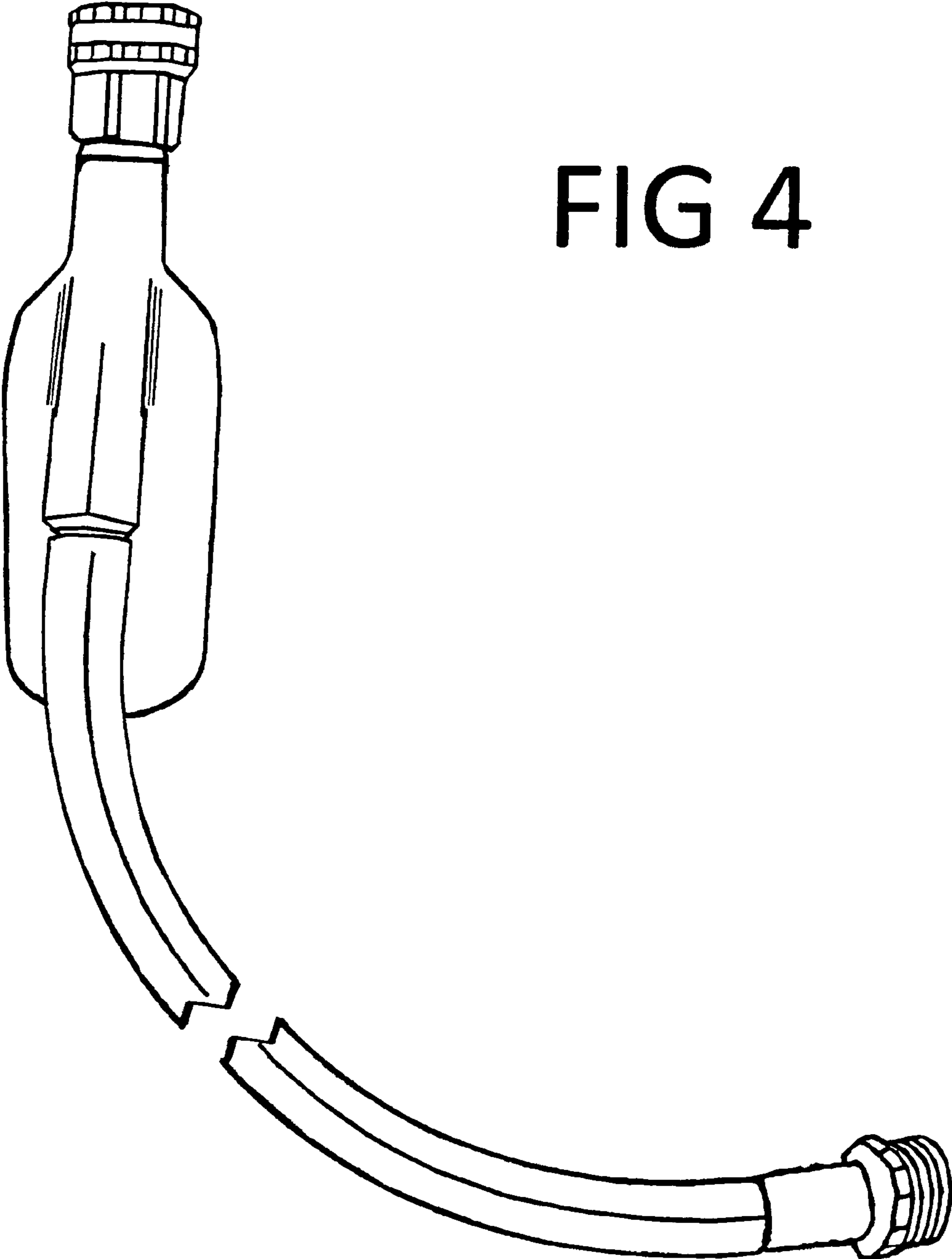


FIG 4