



US00D682397S

(12) **United States Design Patent**  
**Ben-Nun**

(10) **Patent No.:** **US D682,397 S**

(45) **Date of Patent:** **\*\* May 14, 2013**

(54) **AIR RELEASE VALVE**

D519,188 S \* 4/2006 Hay ..... D23/233  
D527,793 S \* 9/2006 Cantolino ..... D23/233  
D646,753 S \* 10/2011 Juul et al. .... D23/233

(76) Inventor: **Itzhak Ben-Nun**, Kibbutz Dorot (IL)

\* cited by examiner

(\*\*) Term: **14 Years**

*Primary Examiner* — Garth Rademaker

(21) Appl. No.: **29/377,934**

(57) **CLAIM**

(22) Filed: **Oct. 28, 2010**

The ornamental design for an air release valve, as shown and described.

(30) **Foreign Application Priority Data**

**DESCRIPTION**

May 21, 2010 (EP) ..... 001710906

(51) **LOC (9) Cl.** ..... **23-01**

(52) **U.S. Cl.**  
USPC ..... **D23/248**

(58) **Field of Classification Search** ..... D23/233–237,  
D23/244–249, 255–269, 310; 137/171, 175,  
137/176, 183, 185, 197

See application file for complete search history.

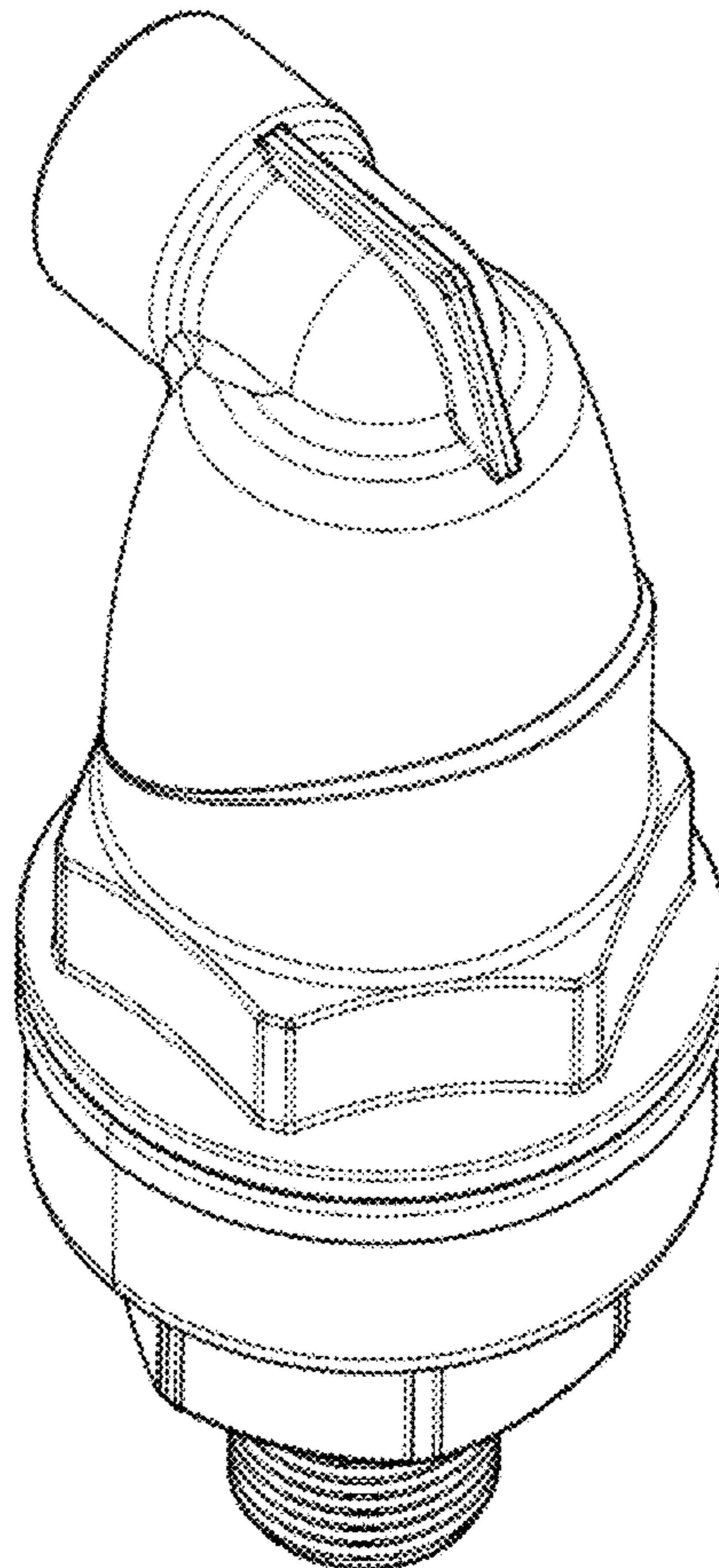
FIG. 1 is a perspective view of an air release valve;  
FIG. 2 is a front elevation view thereof;  
FIG. 3 is a top plan view thereof;  
FIG. 4 is a bottom plan view thereof;  
FIG. 5 is a left side elevation view thereof;  
FIG. 6 is a right side elevation view thereof; and,  
FIG. 7 is a back elevation view thereof.  
With reference FIGS. 4 and 5, broken line areas show environmental subject matter and form no part of the claimed design.  
The intended use of the design is a valve for insertion and removal of air from water lines and liquids.

(56) **References Cited**

**U.S. PATENT DOCUMENTS**

D428,114 S \* 7/2000 Le Bars ..... D23/233  
D500,840 S \* 1/2005 Kim ..... D23/236

**1 Claim, 7 Drawing Sheets**



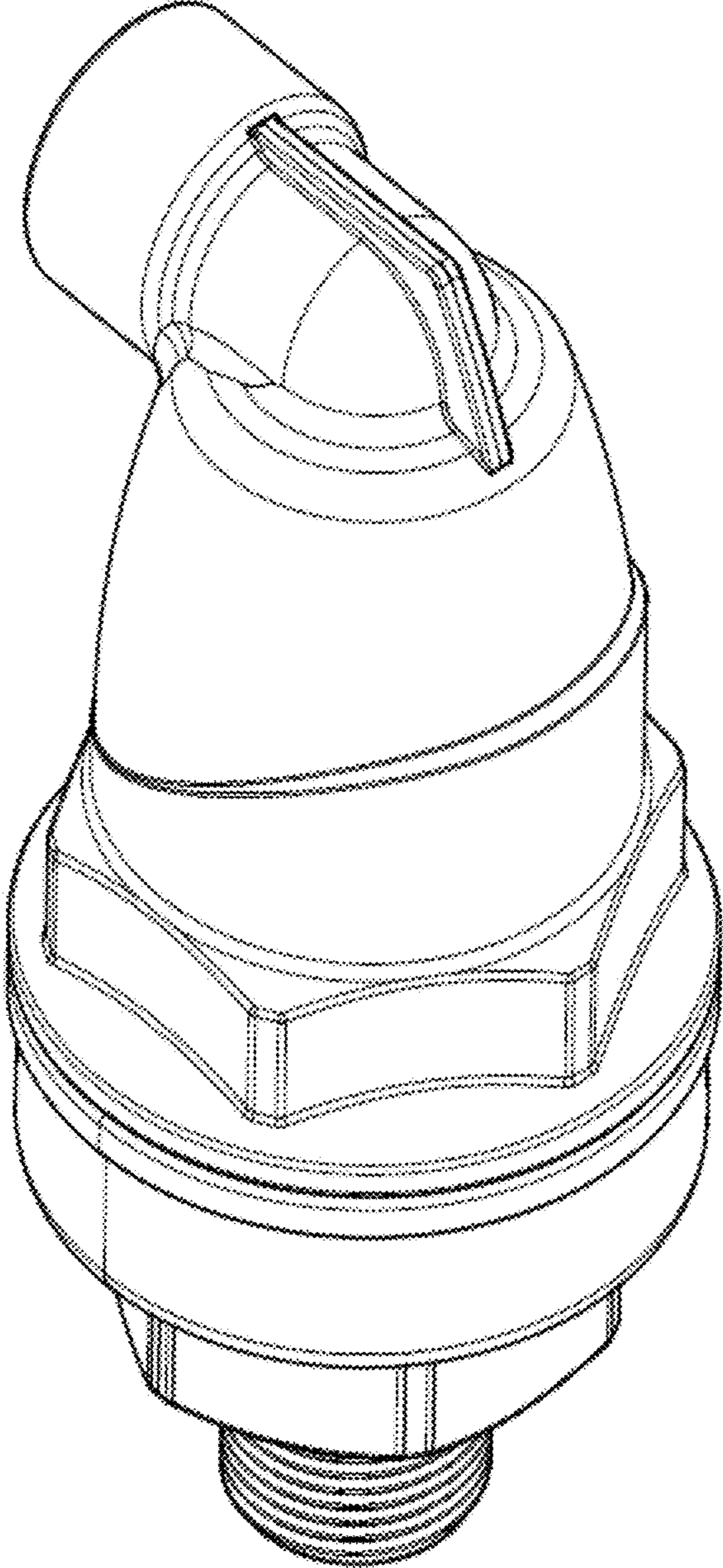


FIG 1

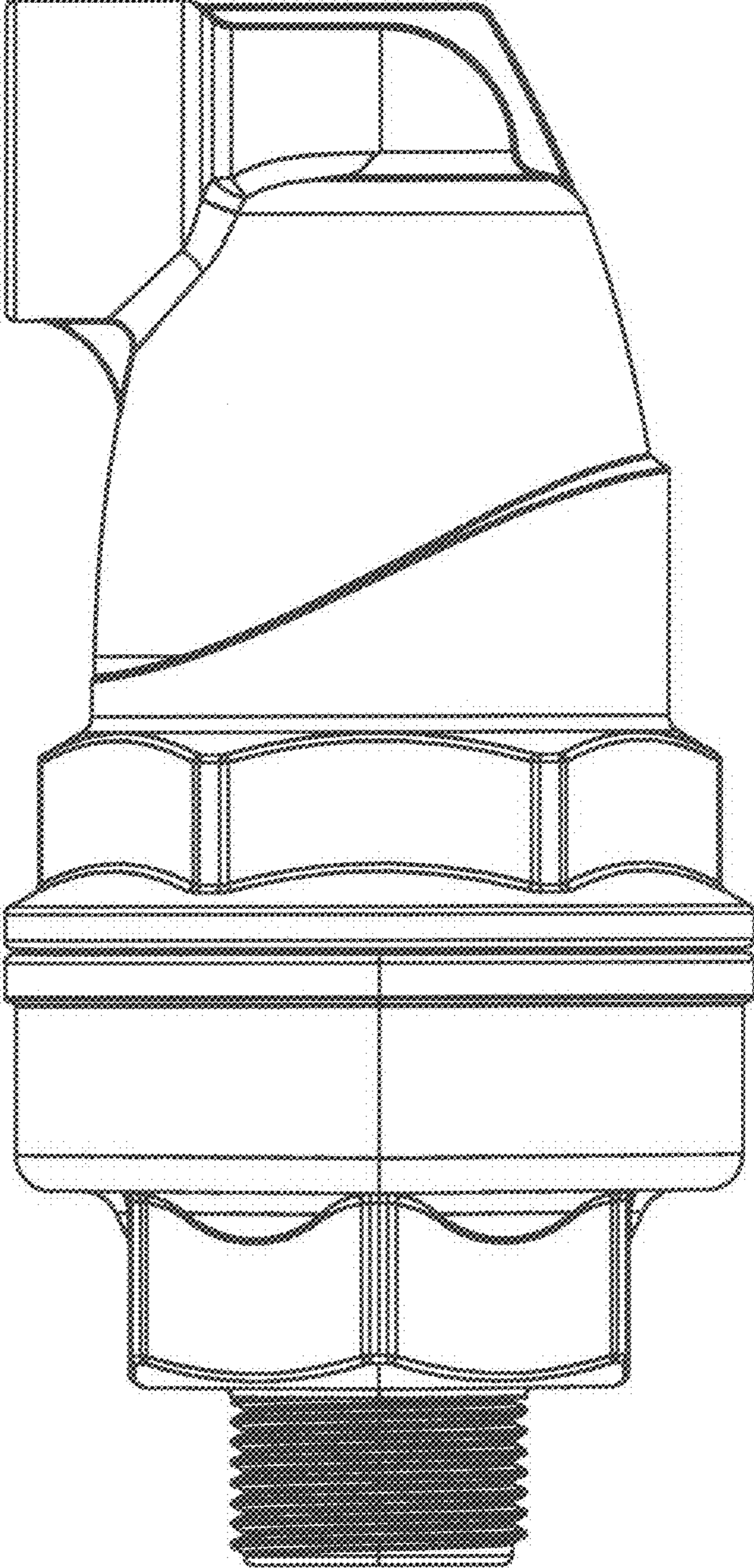


FIG 2

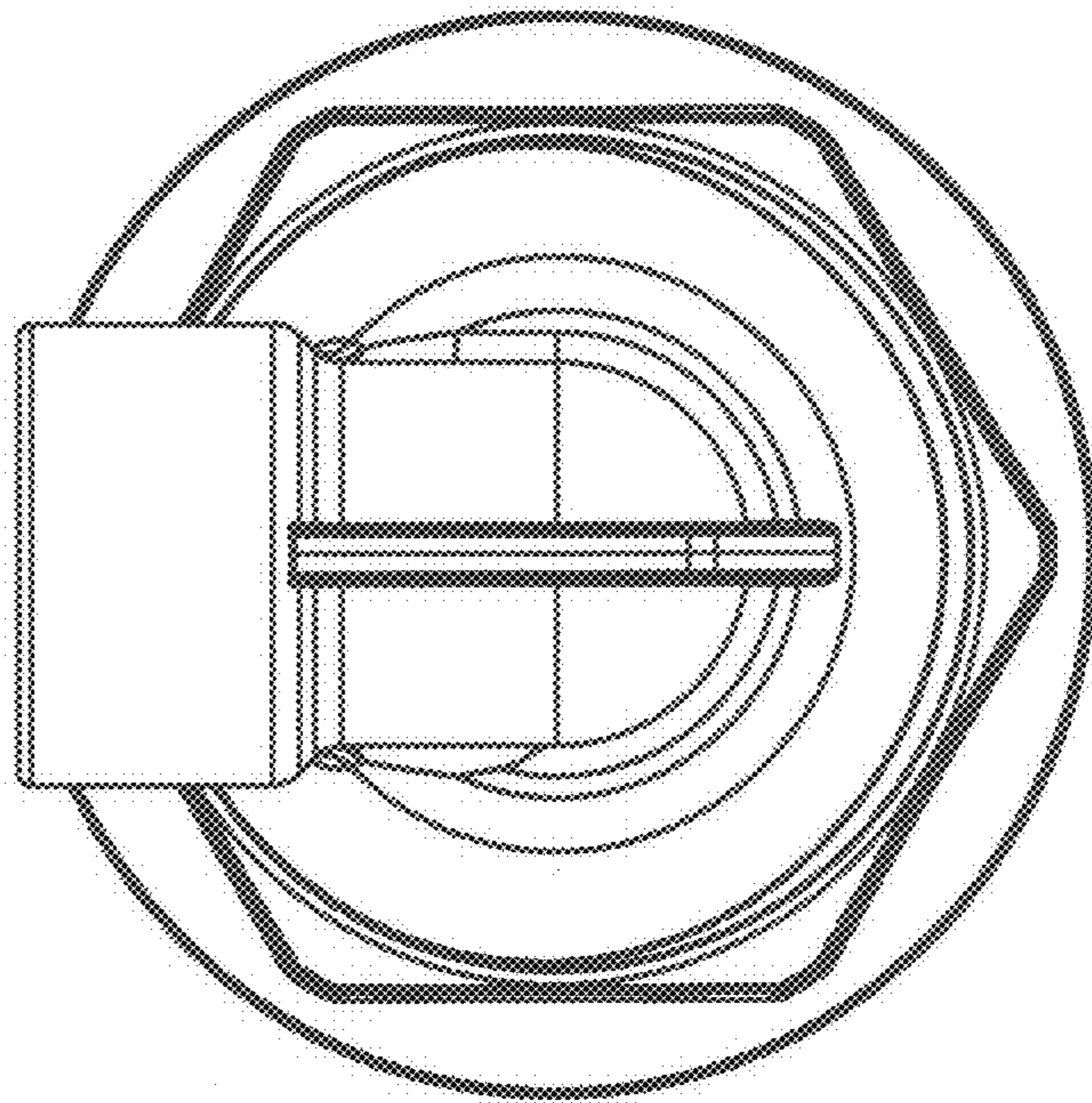


FIG 3

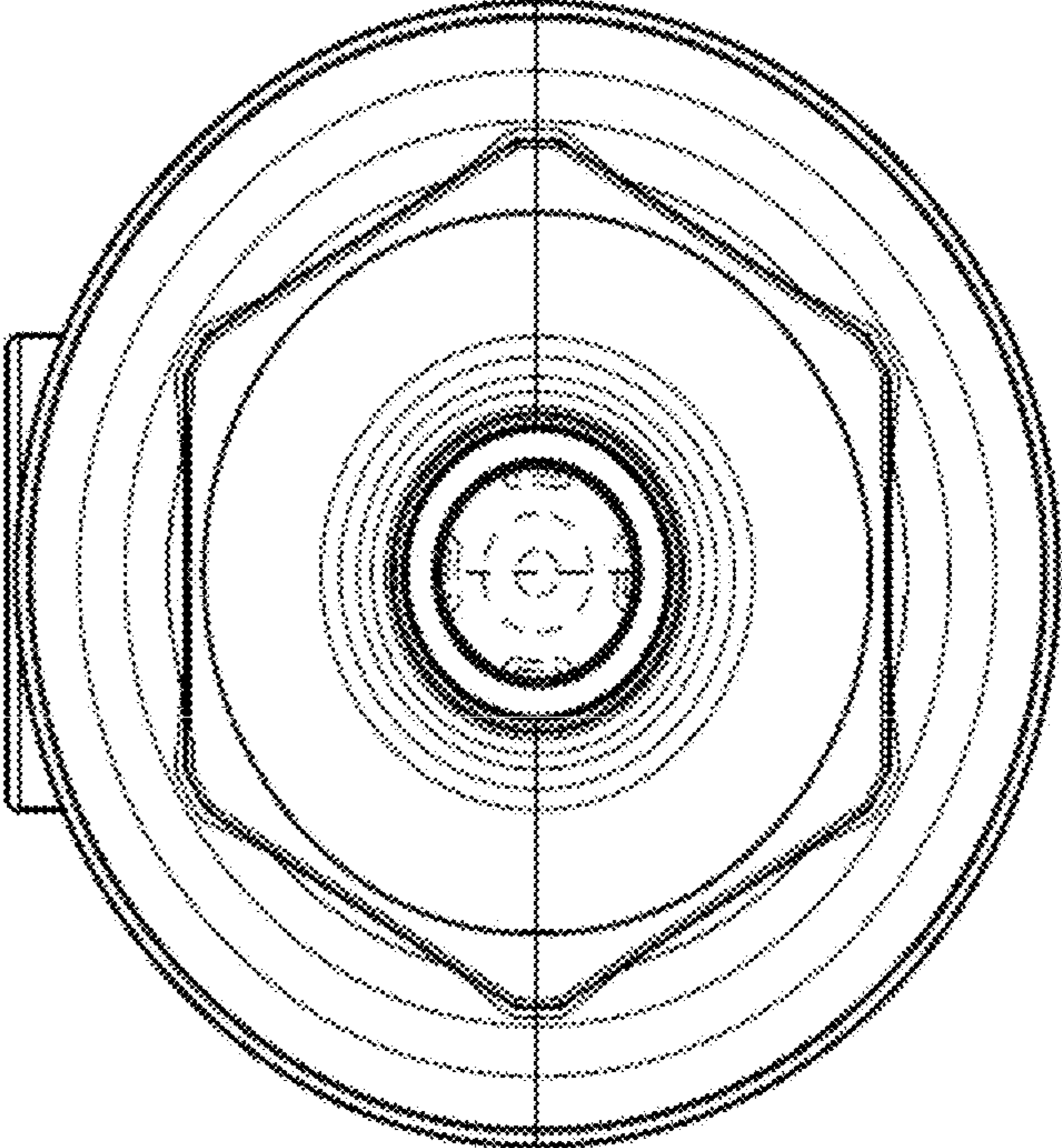


FIG 4

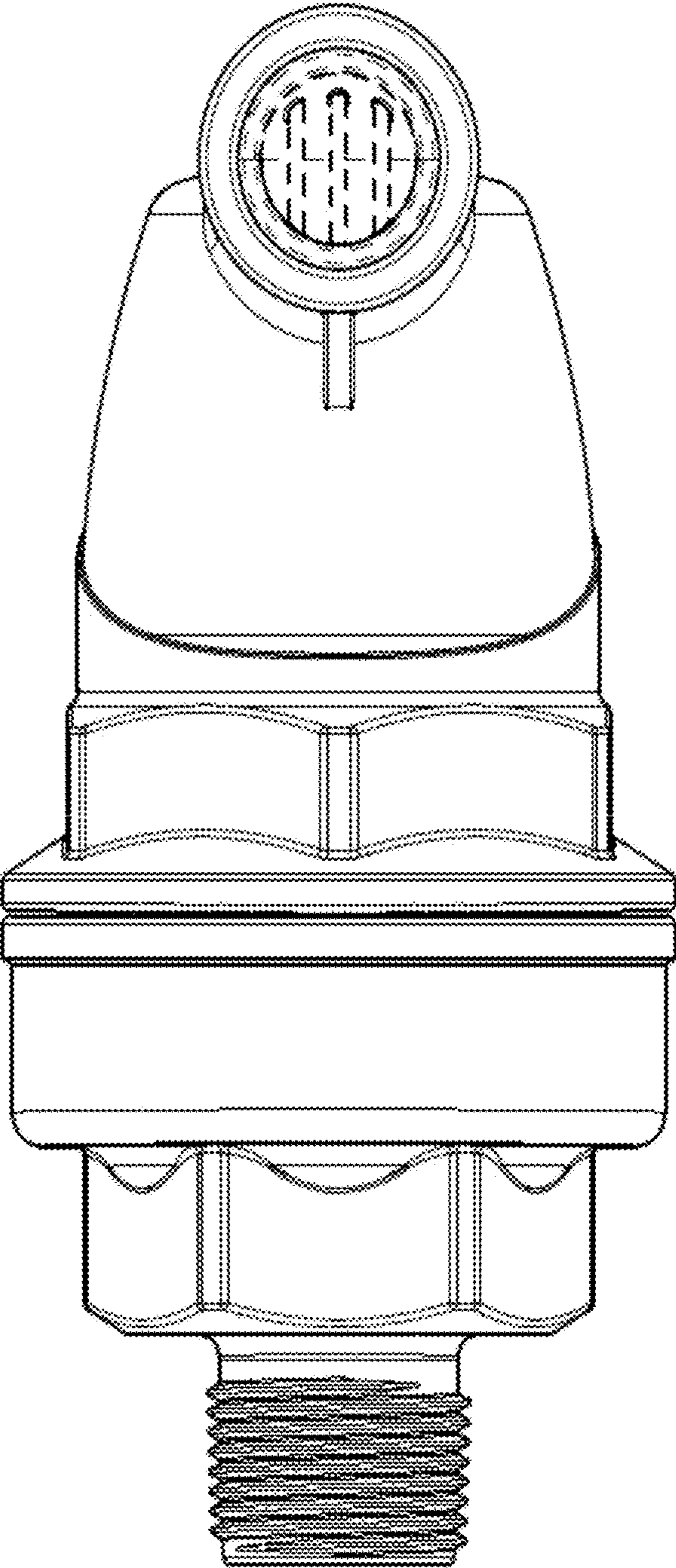


FIG5

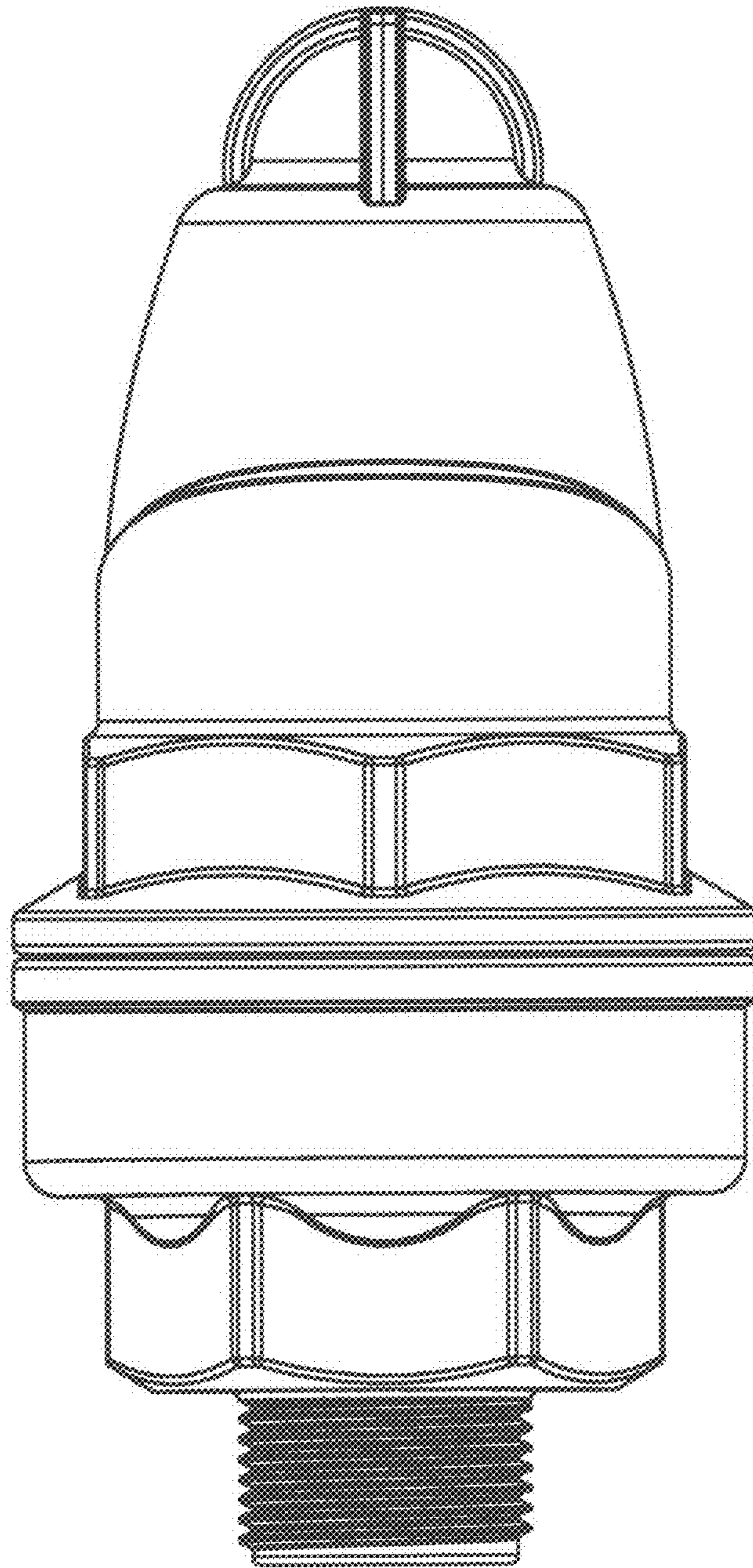


FIG 6

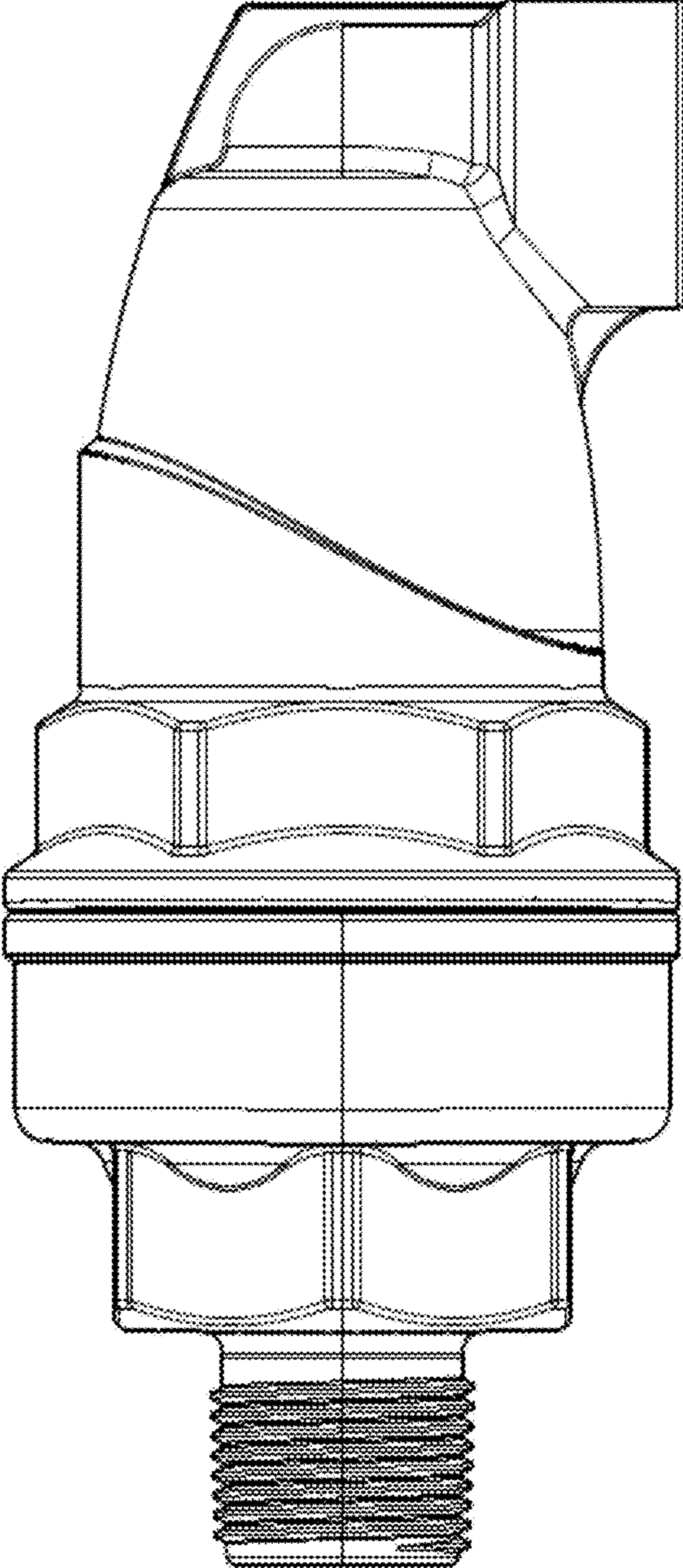


FIG 7